



US00D341456S

United States Patent [19]

[11] Patent Number: Des. 341,456

Hessell

[45] Date of Patent: ** Nov. 16, 1993

[54] CLOTHESPIN

[76] Inventor: Victor W. Hessell, 114 Princes Street, Temuka, New Zealand

[**] Term: 14 Years

[21] Appl. No.: 521,723

[22] Filed: May 11, 1990

[52] U.S. Cl. D32/64

[58] Field of Search D6/326, 328; D8/72, D8/395; D32/60-65; 24/455-457, 507, 530-531, 562, 570-571

[56] **References Cited**

U.S. PATENT DOCUMENTS

D. 144,269	3/1946	Sulak	D32/64
D. 160,305	10/1950	Dold	D32/64
D. 199,840	12/1964	Marola	D32/61
D. 309,809	8/1990	Davidson	D32/61

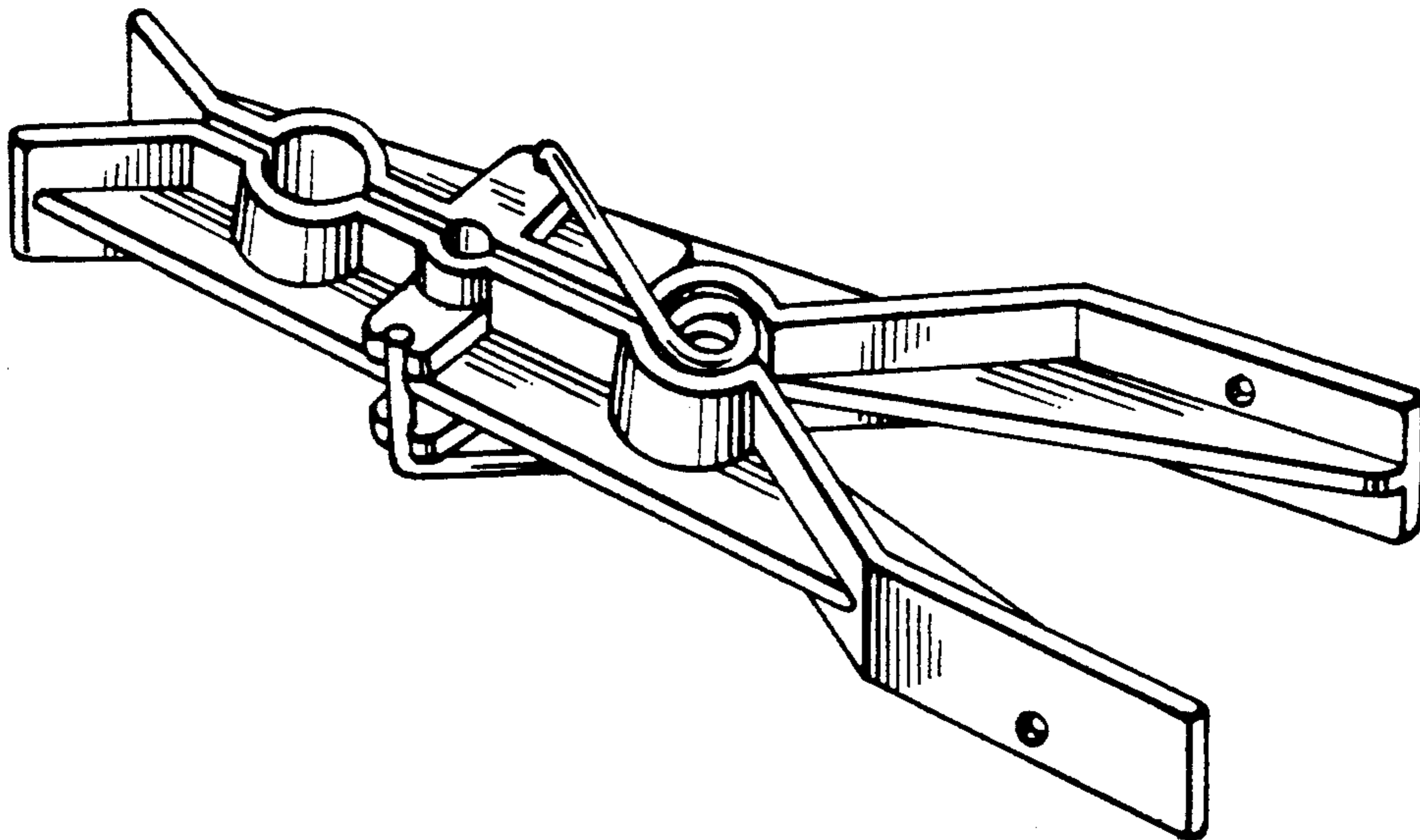
Primary Examiner—Wallace R. Burke
Assistant Examiner—Lavone D. Tabor
Attorney, Agent, or Firm—Jacobson, Price, Holman & Stern

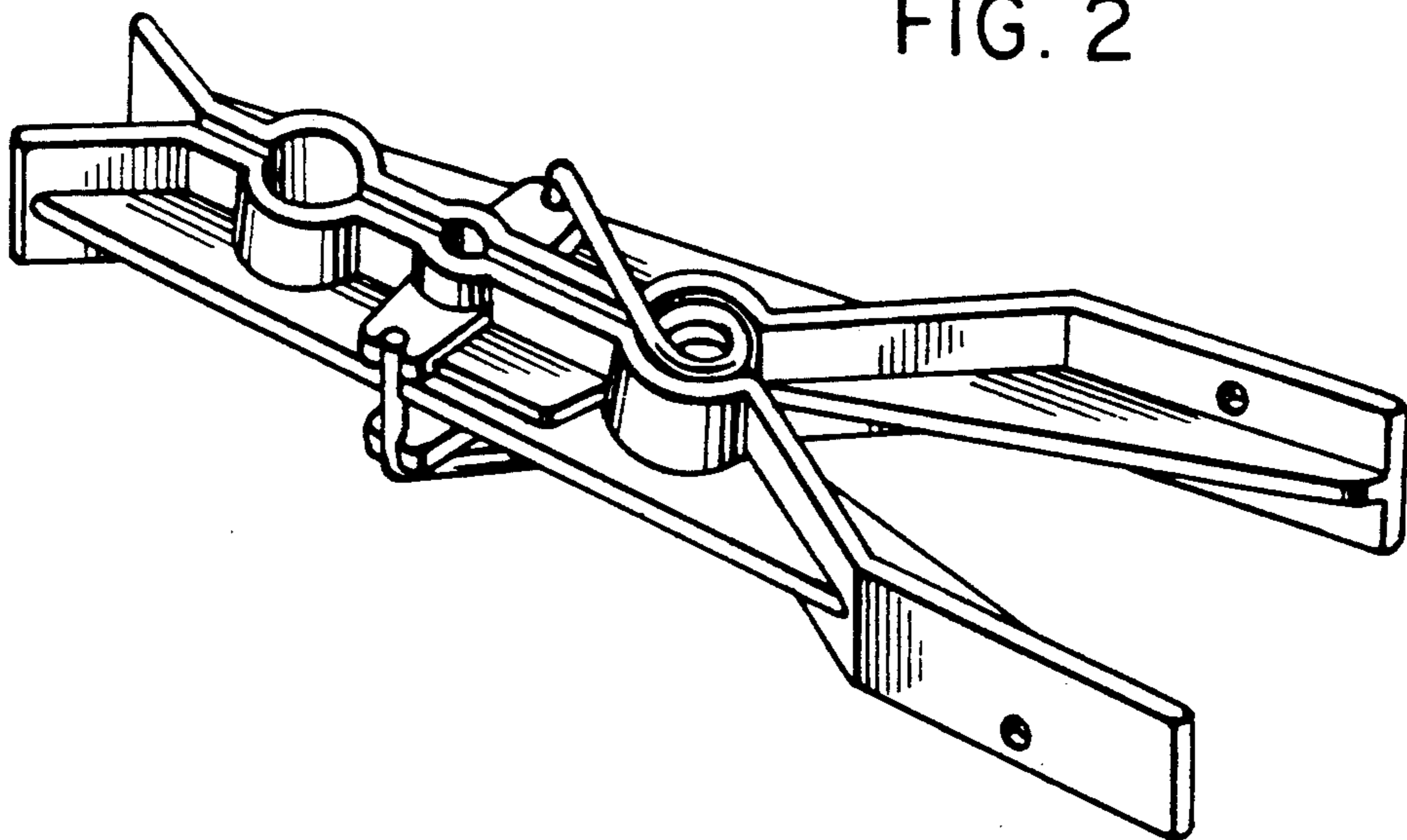
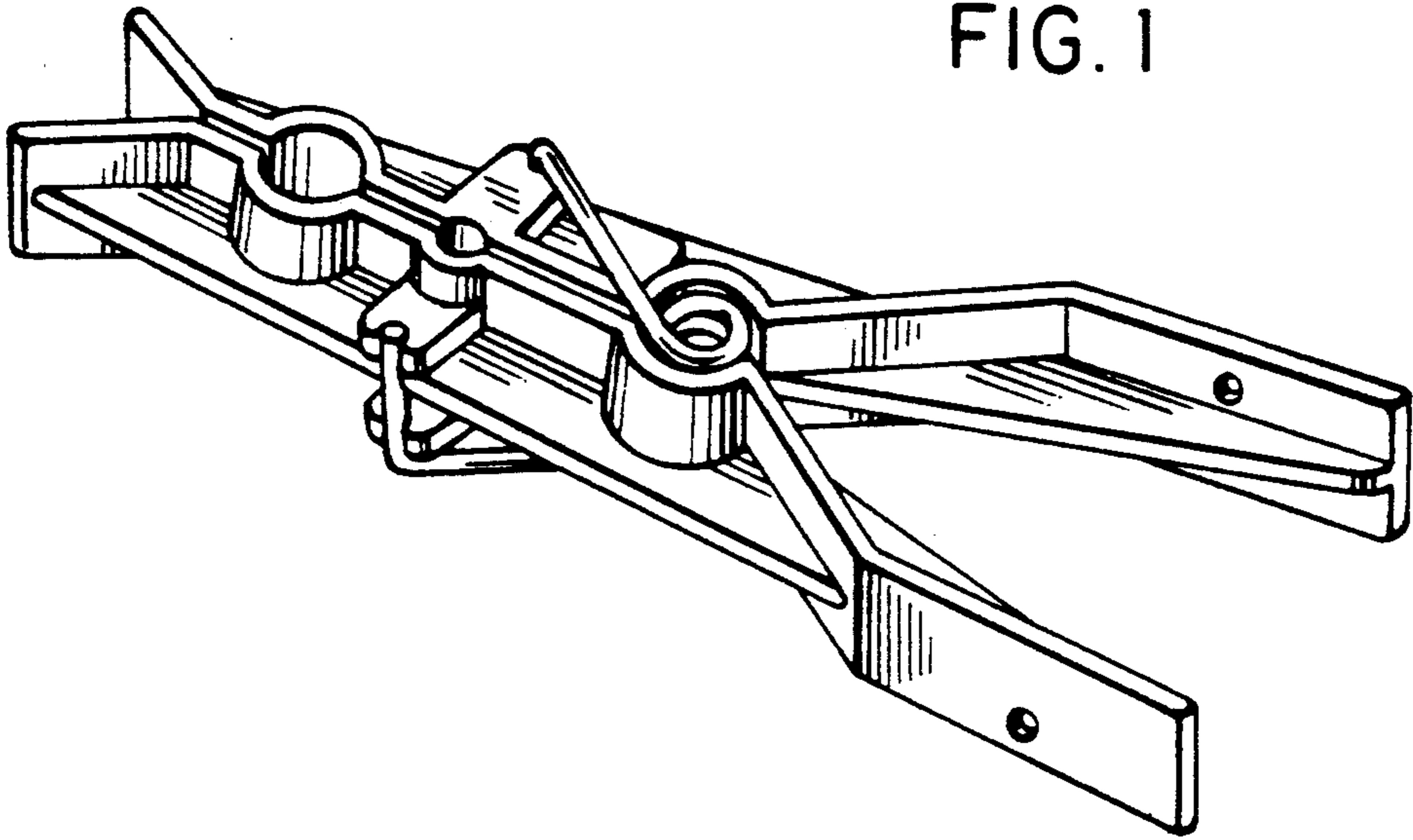
[57] **CLAIM**

The ornamental design for a clothespin, as shown and described.

DESCRIPTION

FIG. 1 is a perspective view from the side of the clothespin in its assembled condition;
FIG. 2 is a perspective view of the opposite side to the view in FIG. 1;
FIG. 3 is a side elevational view of the clothespin;
FIG. 4 is a side elevational view of the opposite side of the clothespin to the view in FIG. 3;
FIG. 5 is a top plan view;
FIG. 6 is a bottom plan view;
FIG. 7 is a front elevational view of the clothespin; and,
FIG. 8 is a rear elevational view.





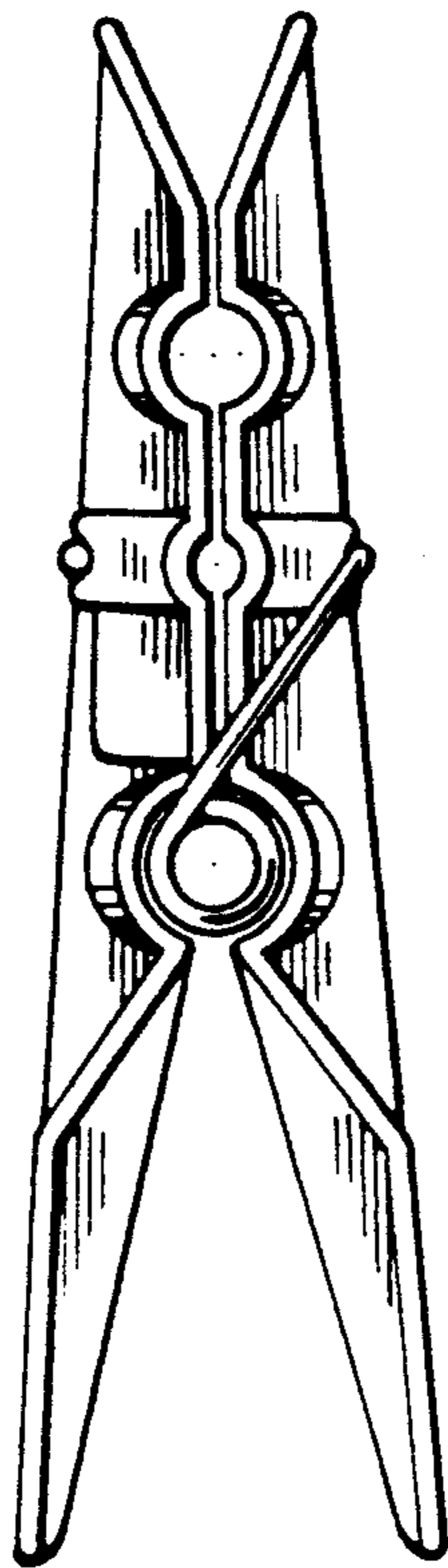


FIG. 3

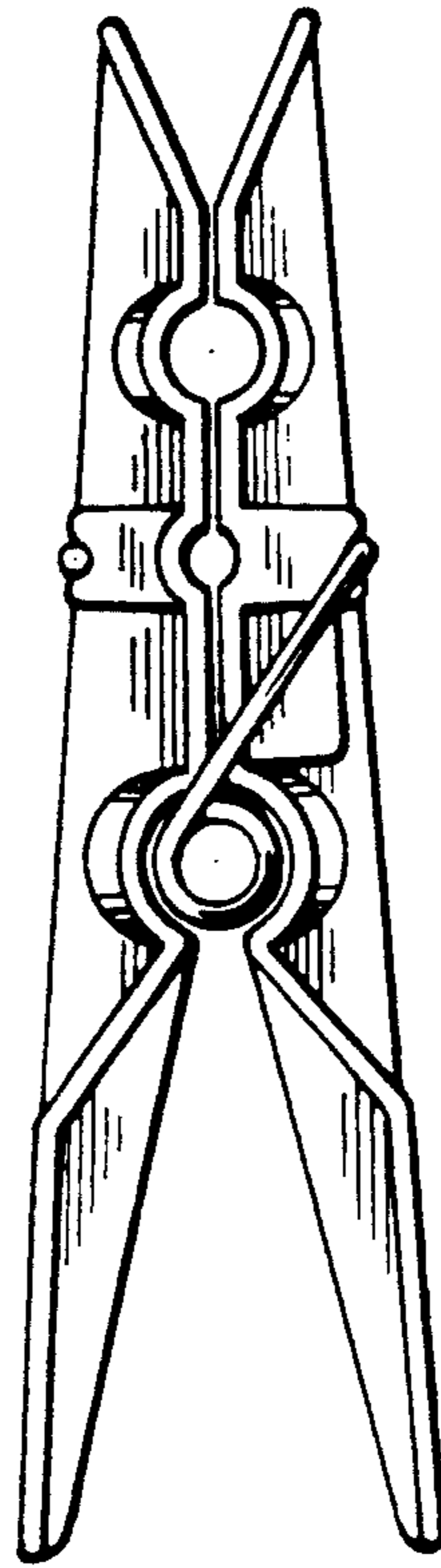


FIG. 4

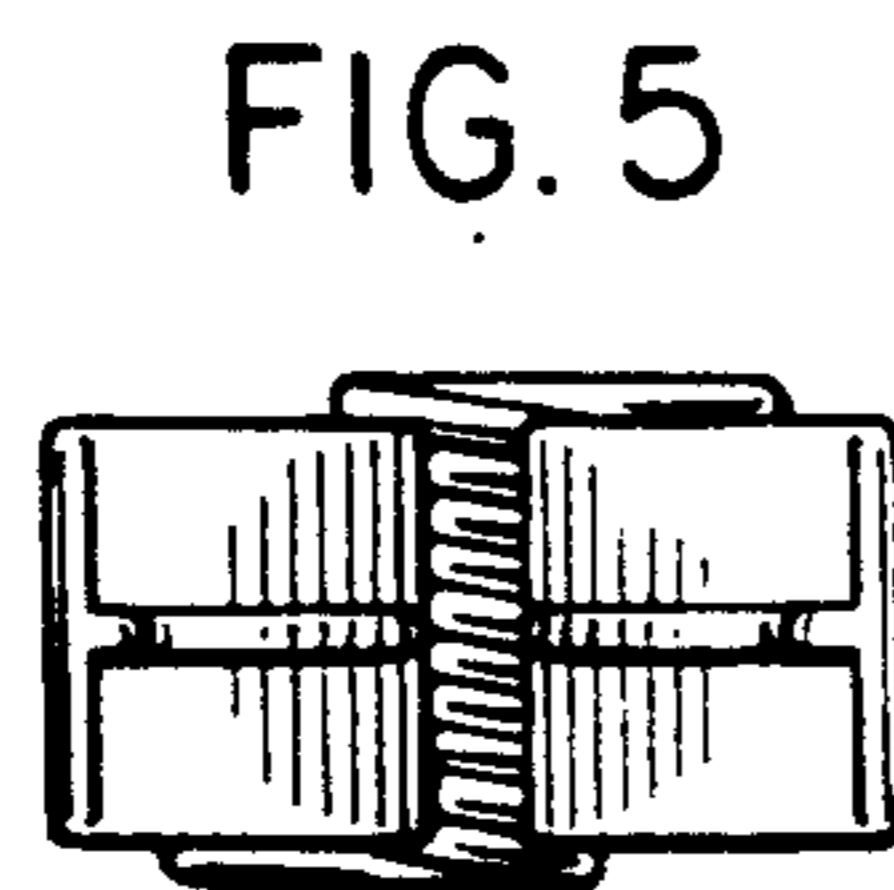


FIG. 5

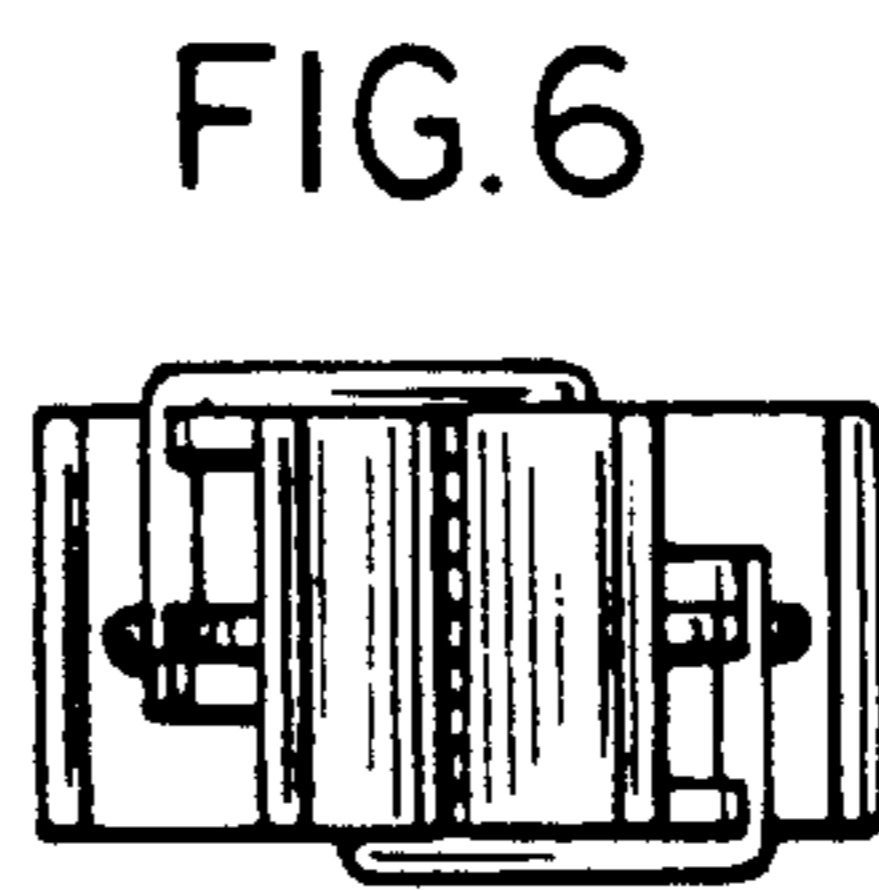


FIG. 6

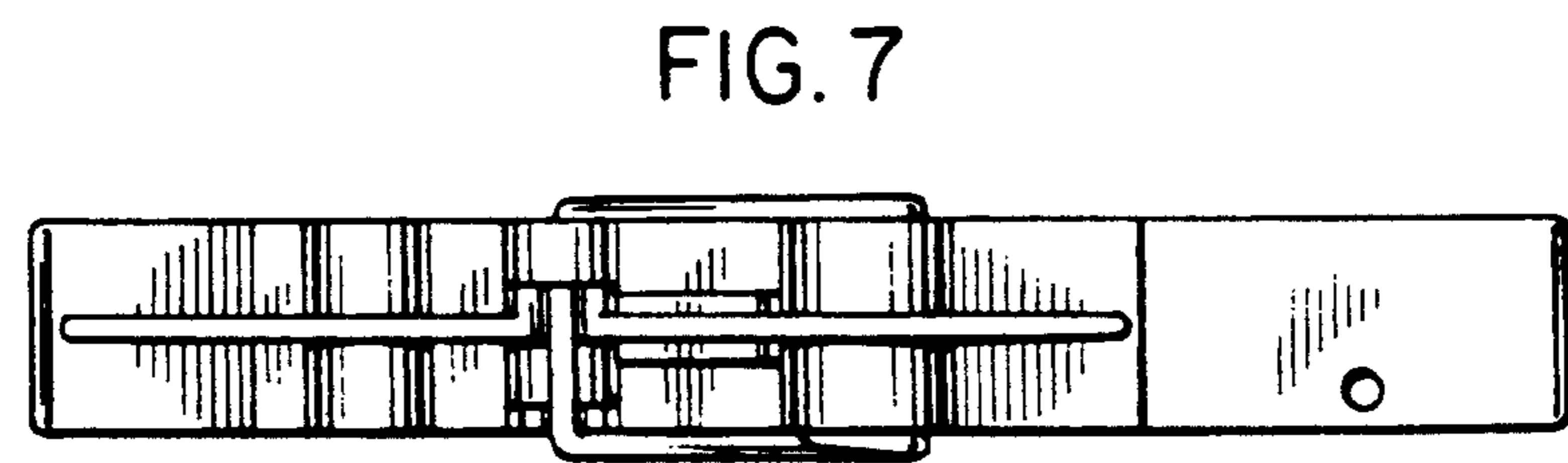


FIG. 7

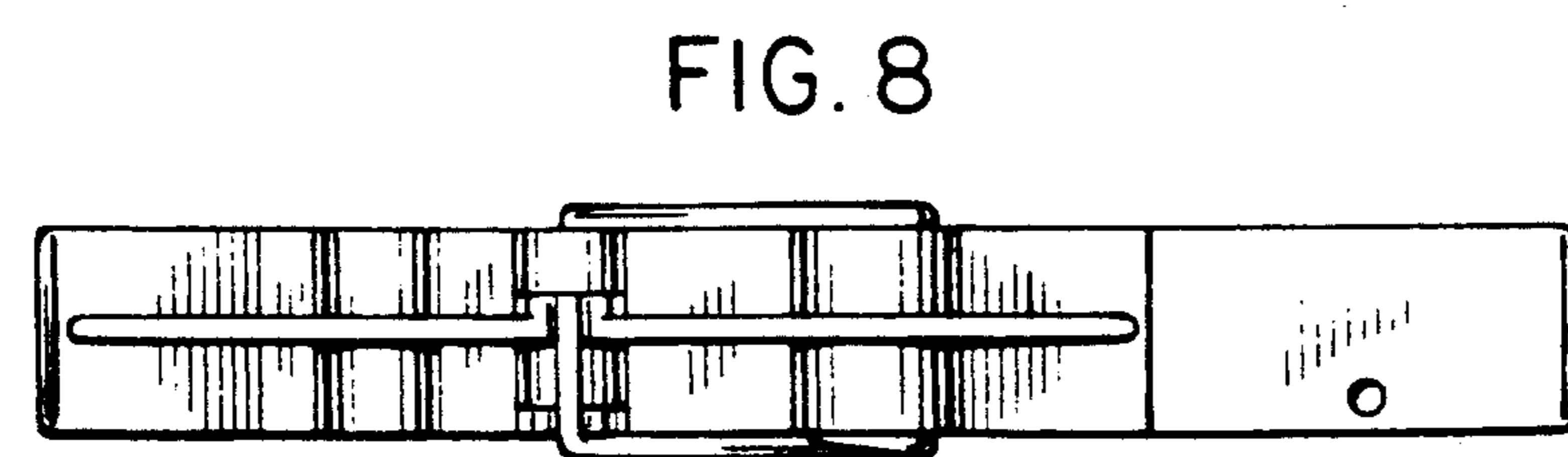


FIG. 8