



US00D341450S

United States Patent [19]

[11] Patent Number: **Des. 341,450**

Tinius

[45] Date of Patent: **** Nov. 16, 1993**

[54] **HIGH-PRESSURE CLEANING APPARATUS AND HOUSING THEREFOR**

D. 314,420	2/1991	Tomatsu	D23/225
4,266,317	5/1981	Duda	15/321
4,327,459	5/1982	Gilbert	15/321
4,864,680	9/1989	Blase et al.	15/321
4,910,828	3/1990	Blase et al.	15/322
5,146,647	9/1992	Blase et al.	15/321

[75] Inventor: **Michael Tinius, Elchingen, Fed. Rep. of Germany**

[73] Assignee: **Andreas Stihl, Waiblingen, Fed. Rep. of Germany**

[**] Term: **14 Years**

*Primary Examiner—Ruth McInroy
Attorney, Agent, or Firm—Walter Ottesen*

[21] Appl. No.: **791,631**

[57] **CLAIM**

[22] Filed: **Nov. 14, 1991**

The ornamental design for a housing for a high-pressure cleaning apparatus and housing therefor, as shown and described.

[30] **Foreign Application Priority Data**

DESCRIPTION

May 14, 1991 [DE] Fed. Rep. of Germany 9103449

[52] U.S. Cl. **D32/15**

[58] Field of Search D23/223, 225, 226;
D32/1, 15, 17; D15/7, 9; 15/320-322, 315, 344;
137/899.3, 899.4, 259; 220/4.12, 4.13

FIG. 1 is a perspective view of a housing for a high pressure cleaning apparatus showing my new design; FIG. 2 is a right side elevational view thereof; FIG. 3 is a top plan view thereof; FIG. 4 is a front elevational view thereof; FIG. 5 is a rear elevational view thereof; FIG. 6 is a bottom plan view thereof; and, FIG. 7 is a left side elevational view thereof.

[56] **References Cited**

U.S. PATENT DOCUMENTS

D. 217,399	4/1970	Whitney	D15/7
D. 284,885	7/1986	Nakamura	D23/225

The electric cord shown broken away in FIGS. 1-3 and 5-7 is understood to represent indeterminate length.

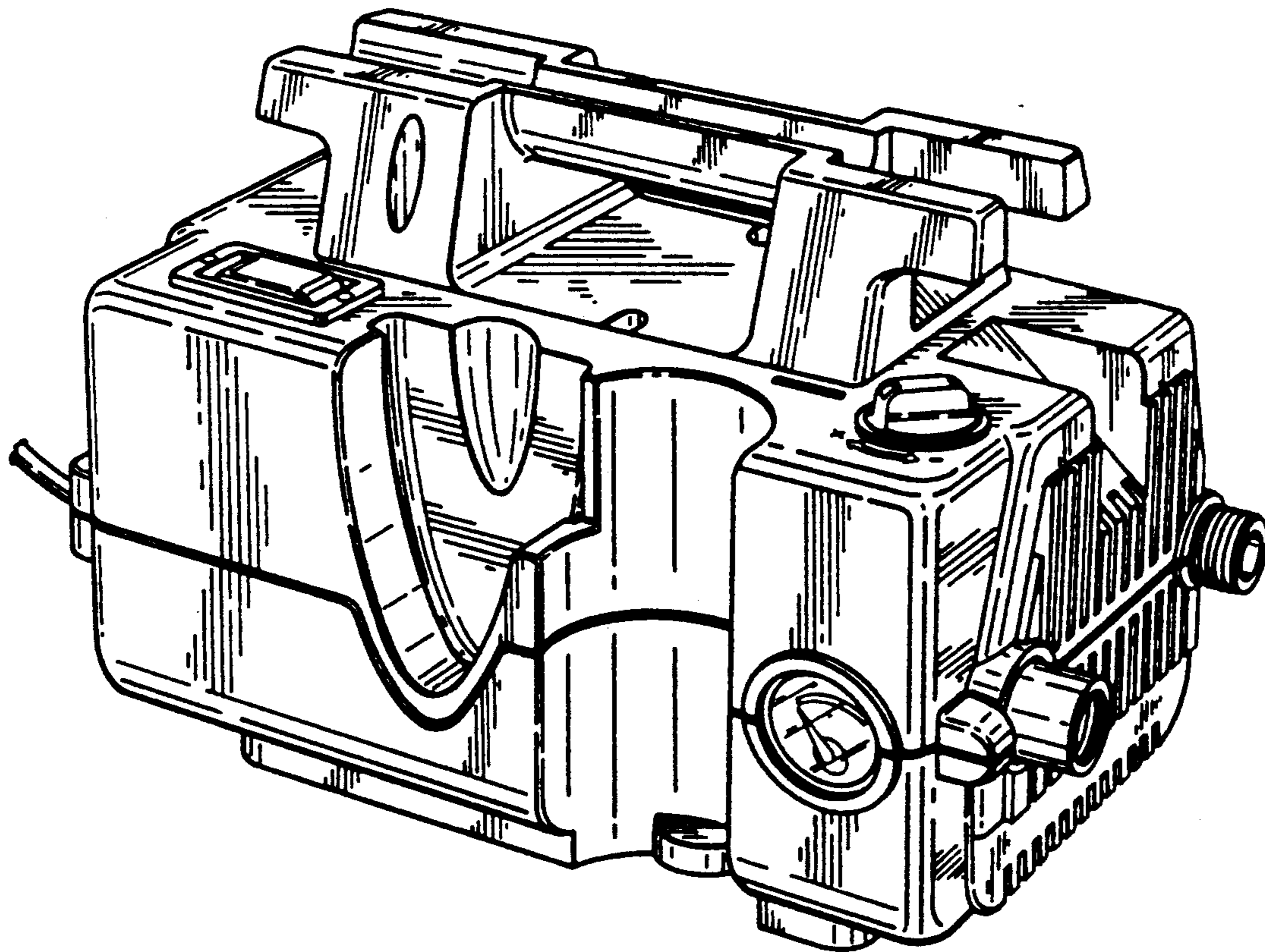


Fig. 1

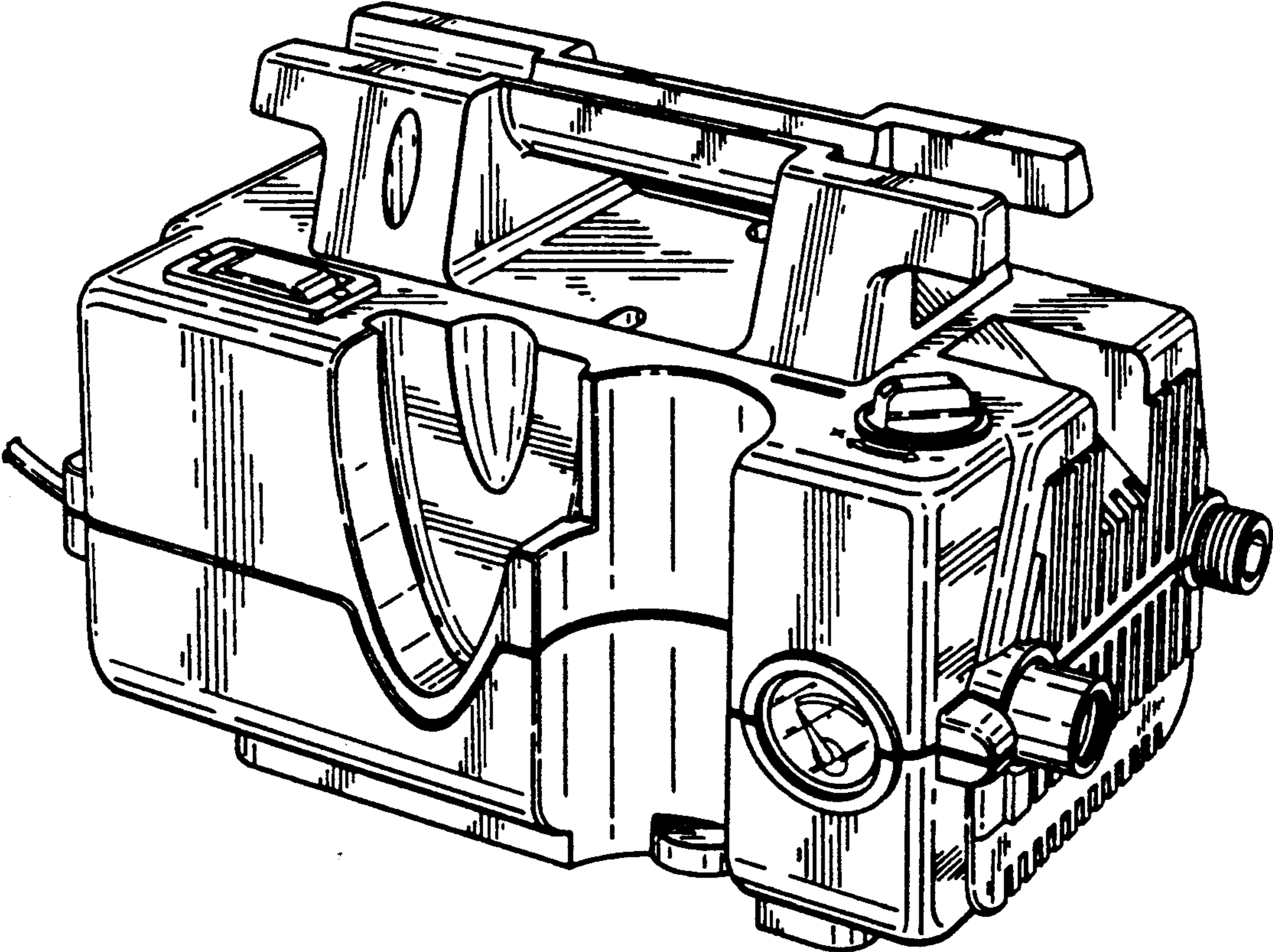


Fig. 2

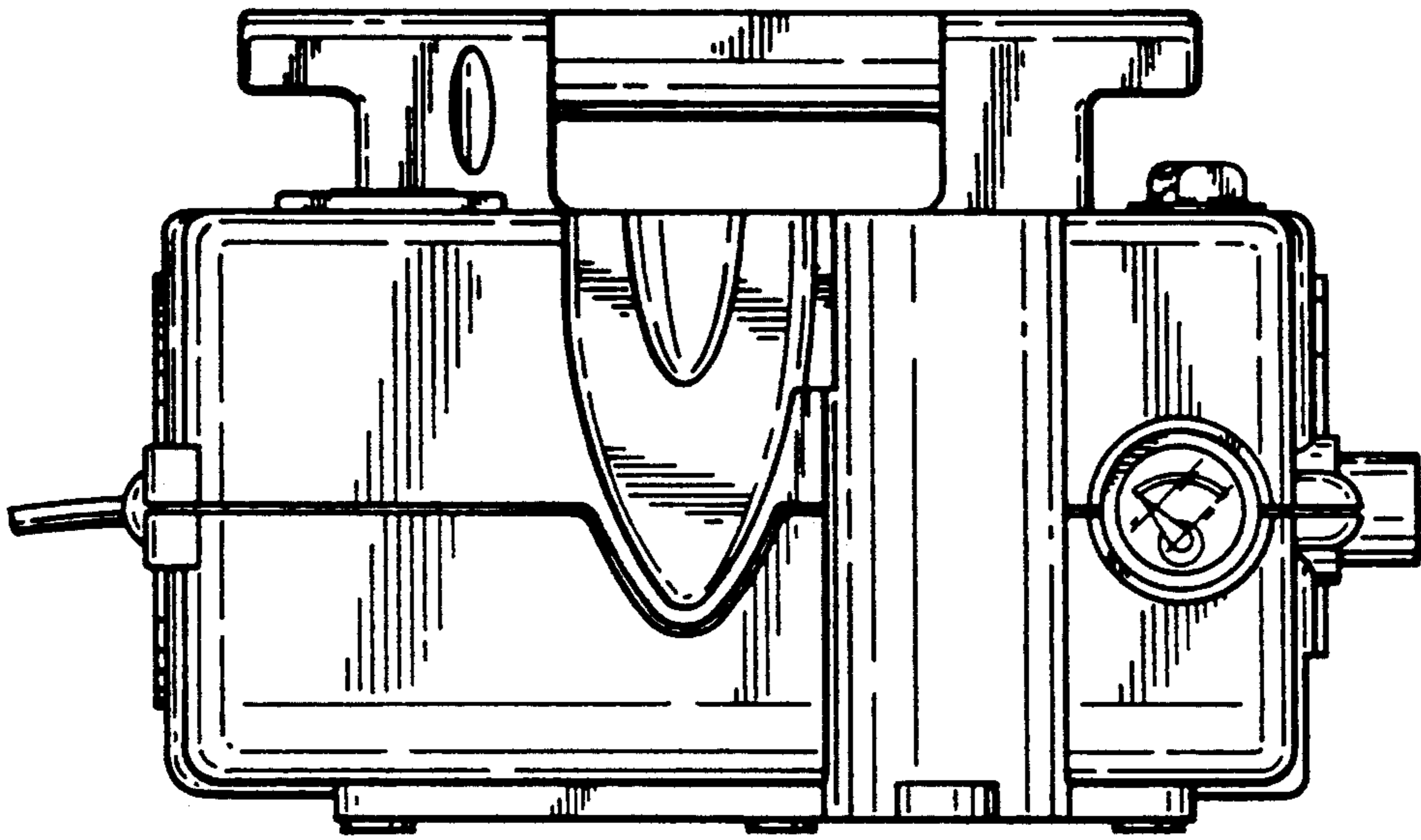


Fig. 3

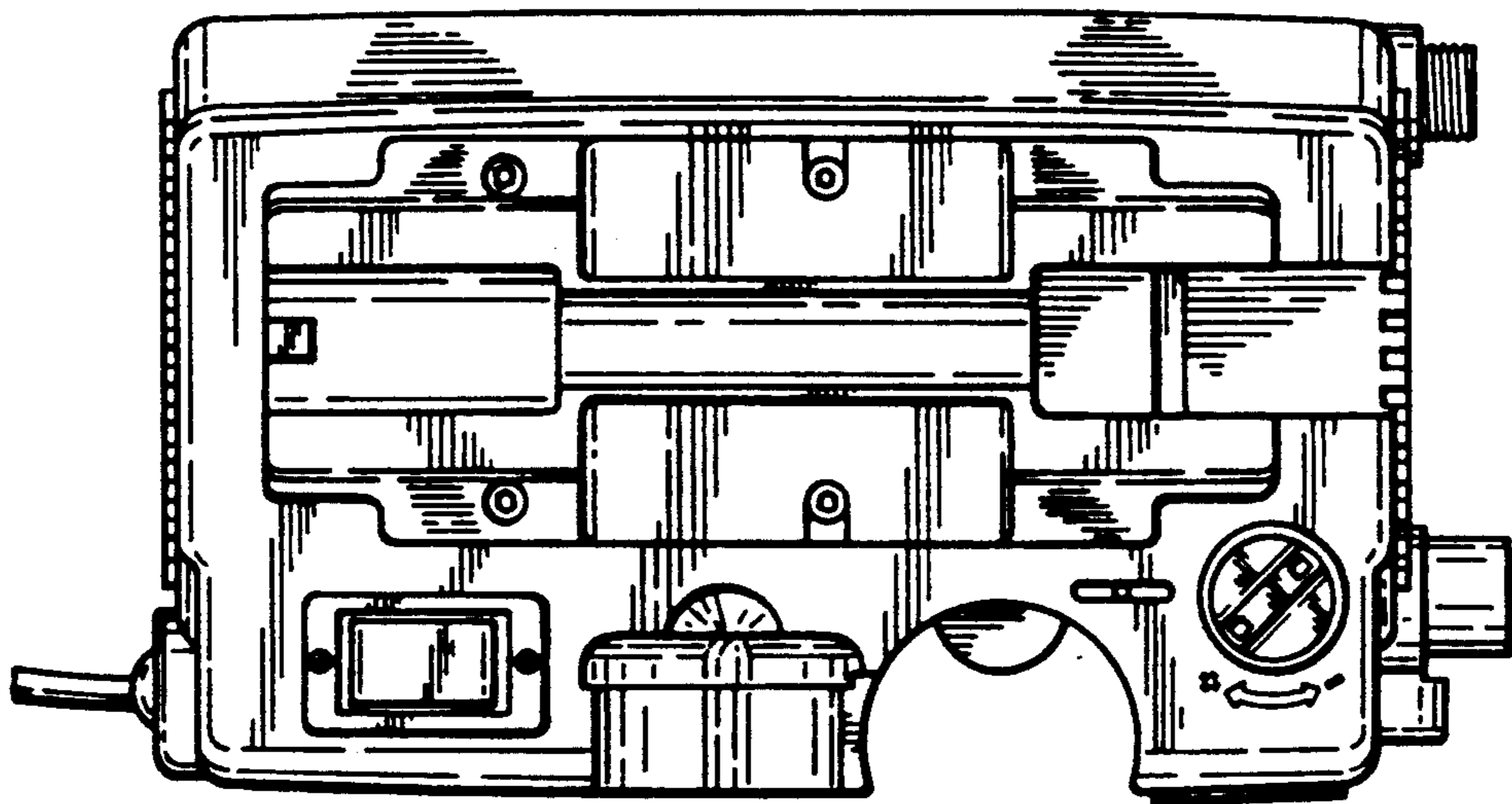


Fig. 4

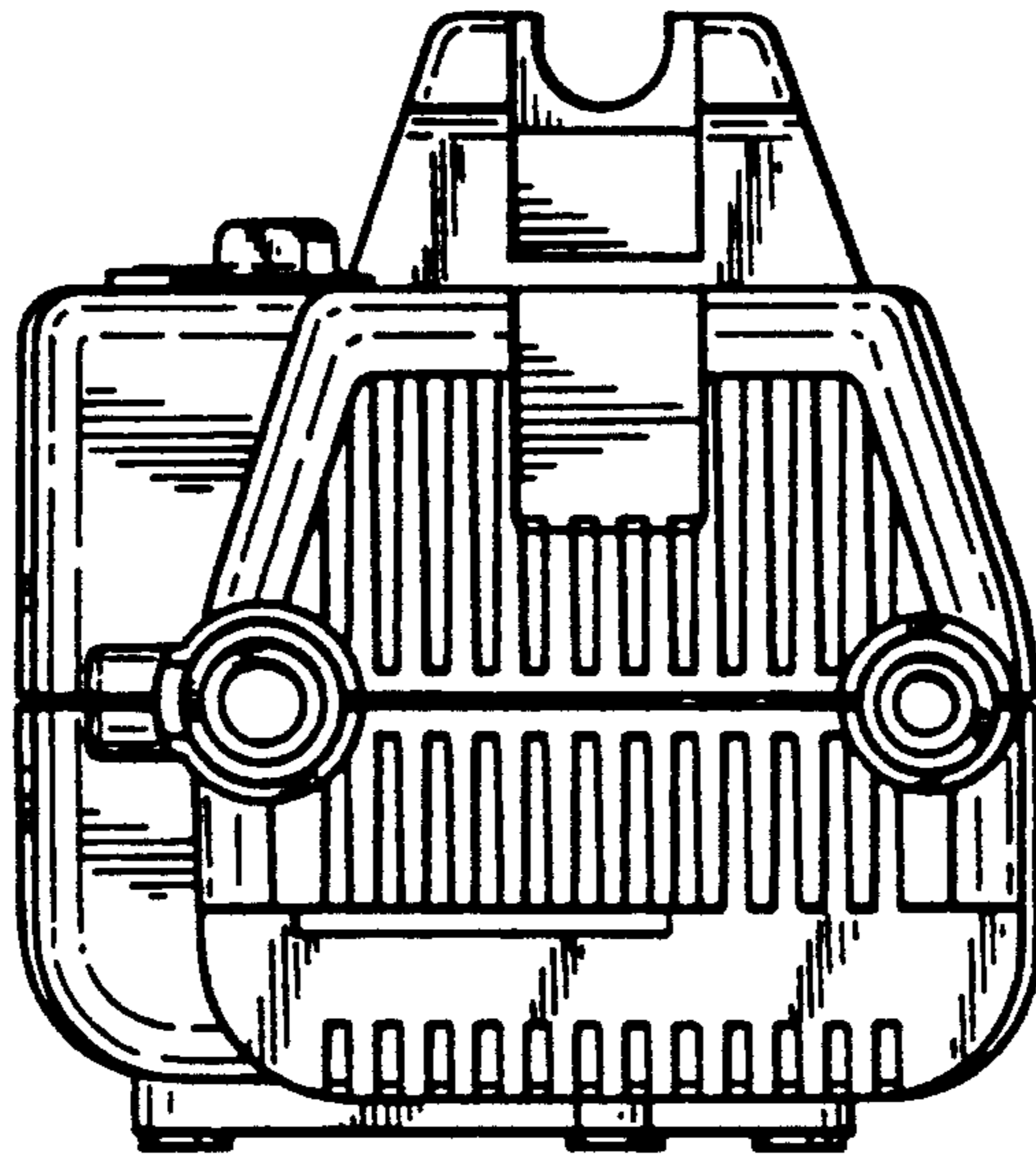


Fig. 5

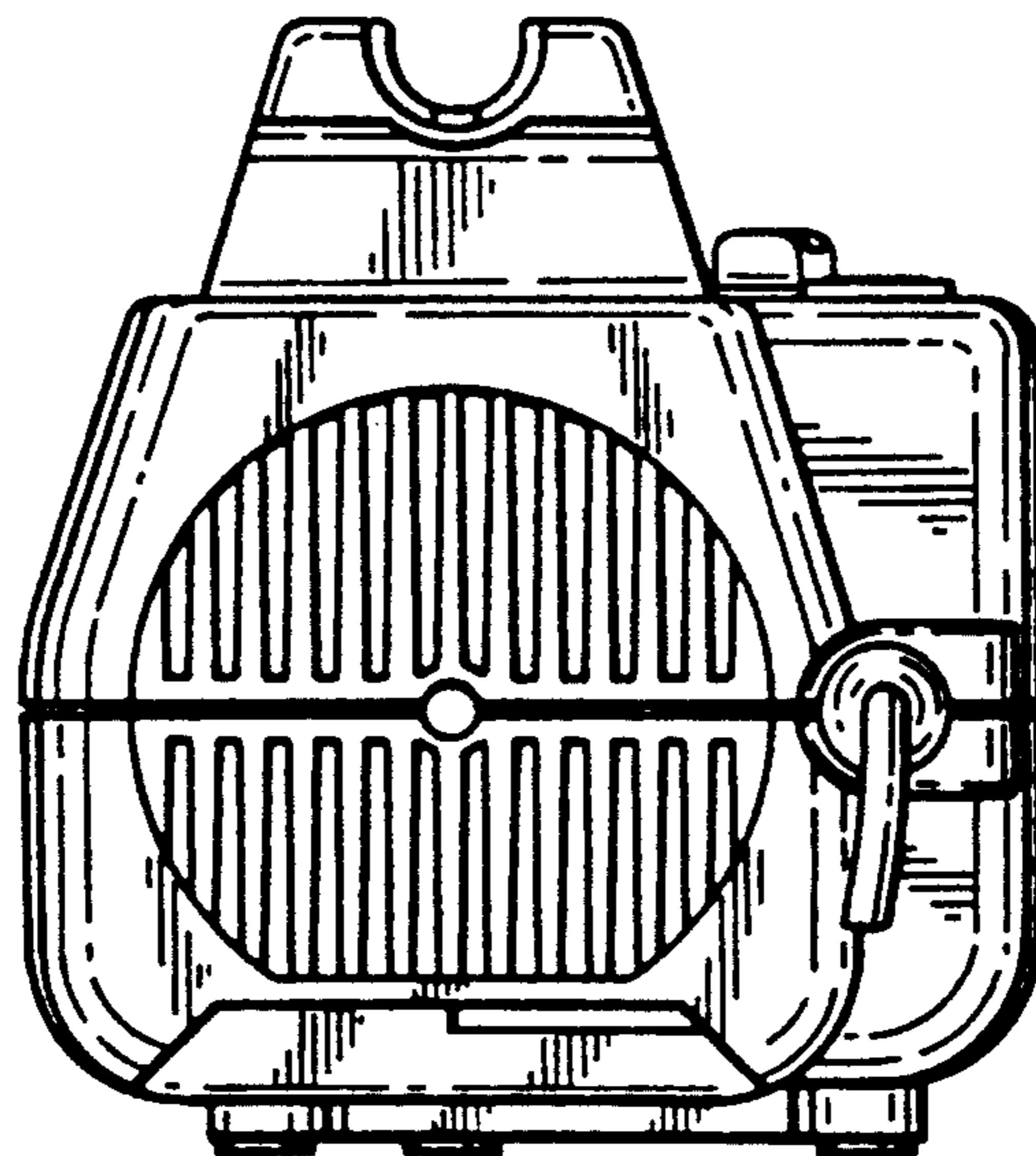


Fig. 6

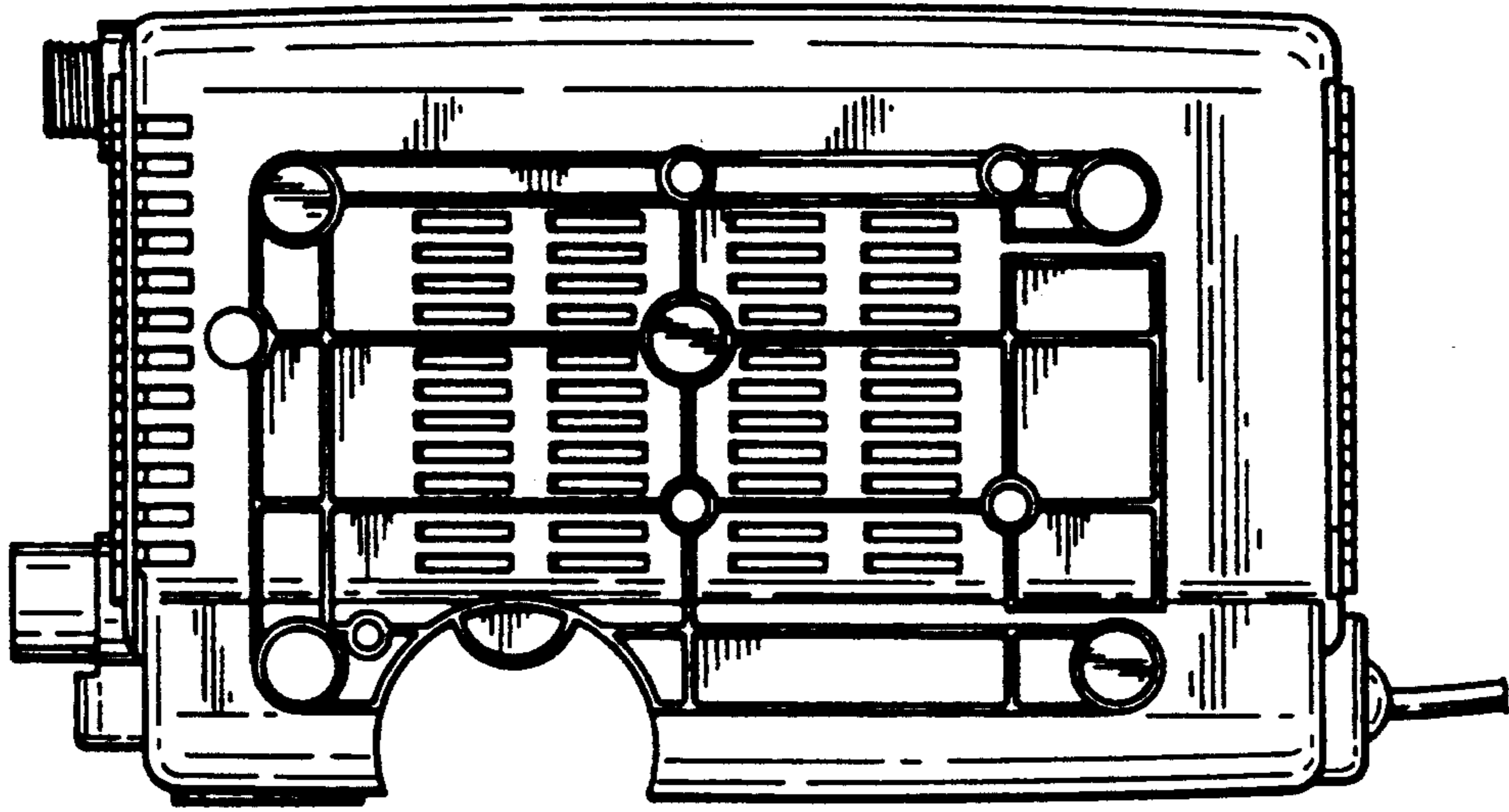


Fig. 7

