



US00D341443S

United States Patent [19]

[11] Patent Number: **Des. 341,443**

Shapiro

[45] Date of Patent: **** Nov. 16, 1993**

[54] **TRIM FOR A RECESSED LIGHTING FIXTURE**

D. 328,650 8/1992 Jones D26/81 X
D. 331,638 12/1992 Vamberszky et al. D26/118

[75] Inventor: **James Shapiro, Placentia, Calif.**

OTHER PUBLICATIONS

[73] Assignee: **Troy Lighting Incorporated, Placentia, Calif.**

Home Lighting & Accessories, Oct. 1989, p. 63, hanging lamp lenses.

[**] Term: **14 Years**

Primary Examiner—Susan J. Lucas
Attorney, Agent, or Firm—Fitzpatrick, Cella, Harper & Scinto

[21] Appl. No.: **888,792**

[57] CLAIM

[22] Filed: **May 27, 1992**

The ornamental design for a trim for a recessed lighting fixture, as shown and described.

[52] U.S. Cl. **D26/118; D26/74; D26/88**

[58] Field of Search **D26/72, 80-92, D26/118, 128-137; 362/147, 150, 404-408, 364, 365**

DESCRIPTION

[56] References Cited

U.S. PATENT DOCUMENTS

D. 132,865 6/1942 Drollinger D26/88
D. 325,651 4/1992 Sonneman D26/74 X

FIG. 1 is a perspective view of the trim for a recessed lighting fixture showing my new design; FIG. 2 is a side view of my design; FIG. 3 is a bottom view of my design; and, FIG. 4 is a top view.

The broken lines in FIGS. 1 and 2 are shown for illustrative purposes only.

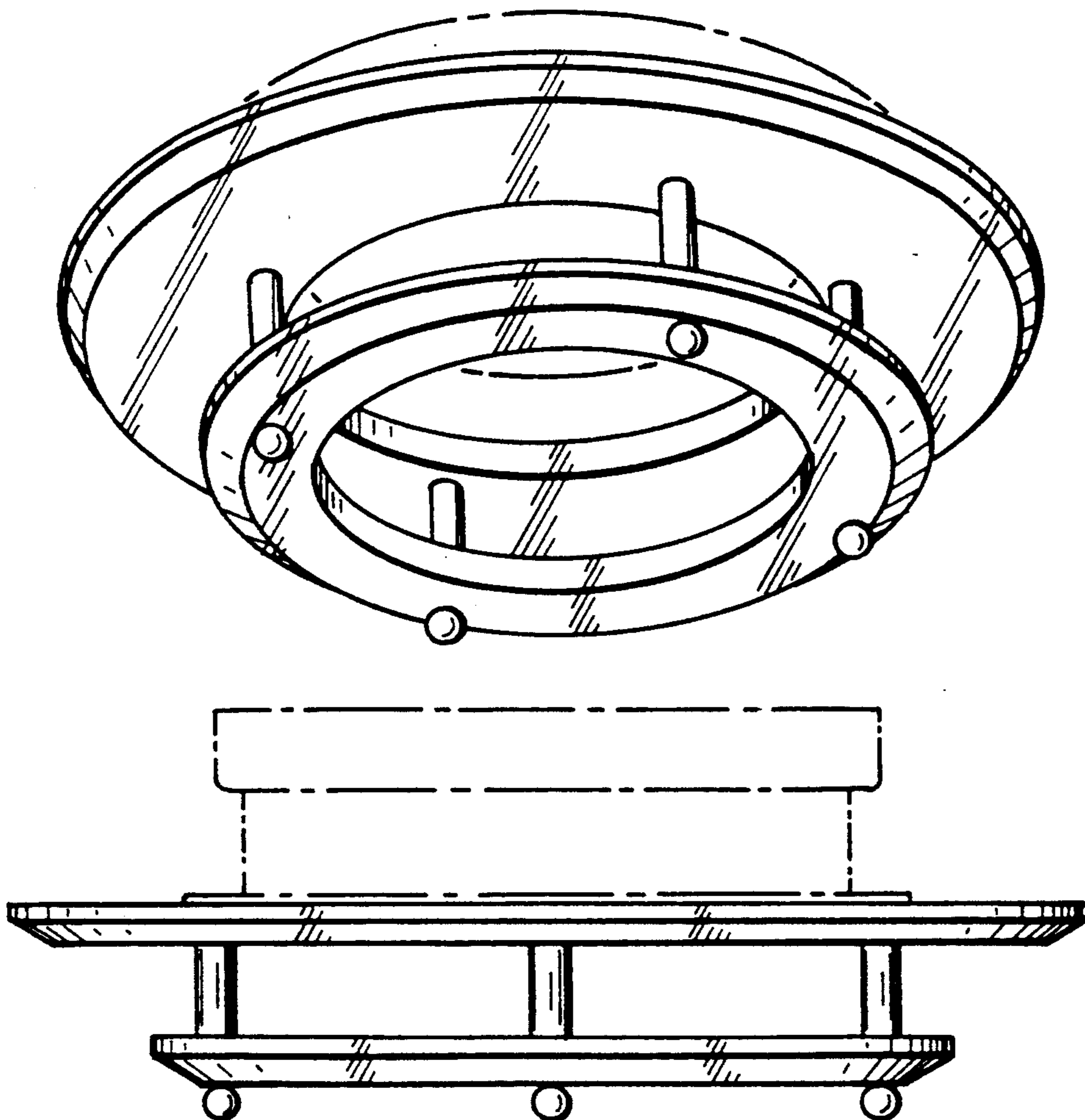


FIG. 1

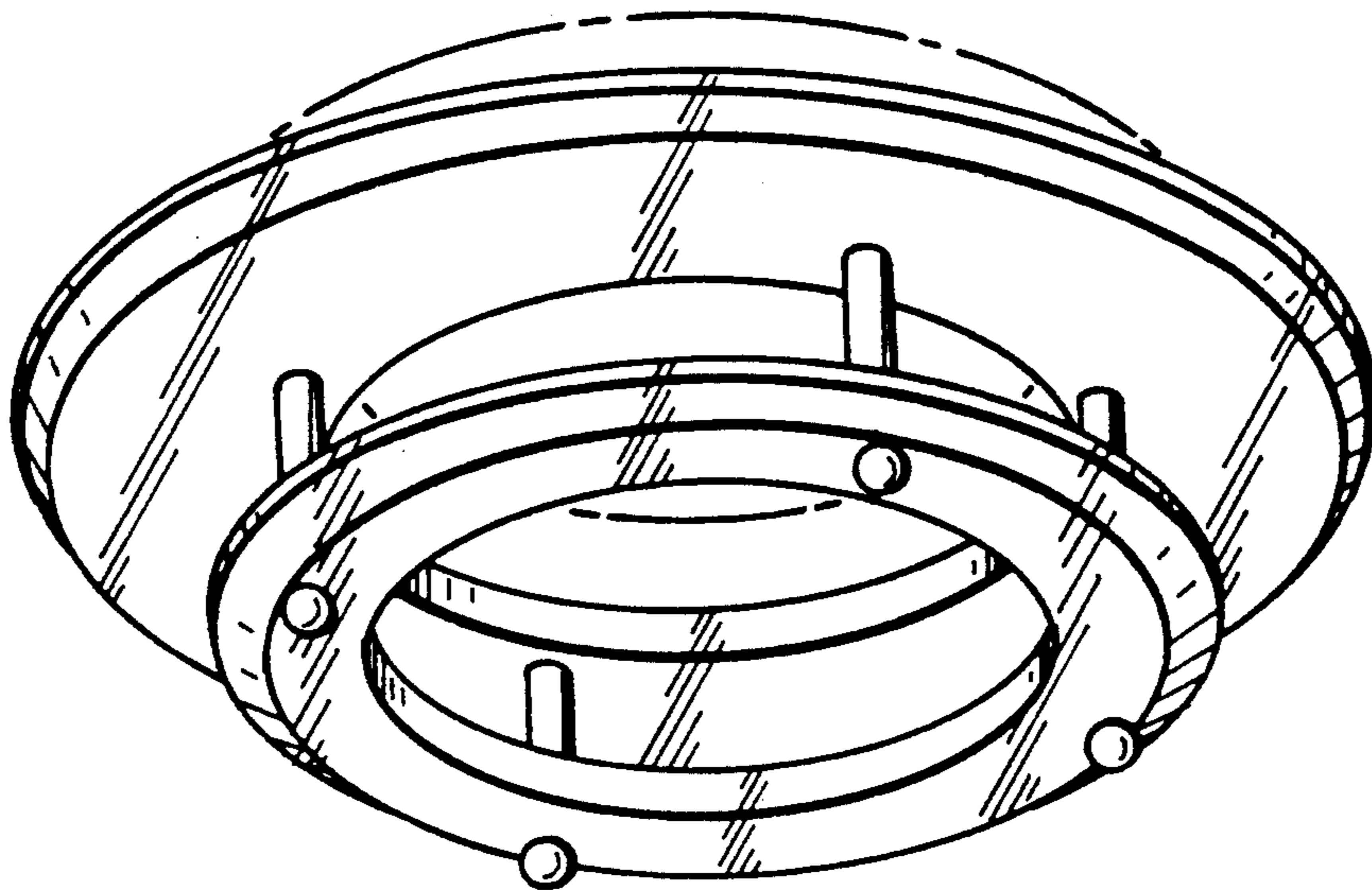


FIG. 3

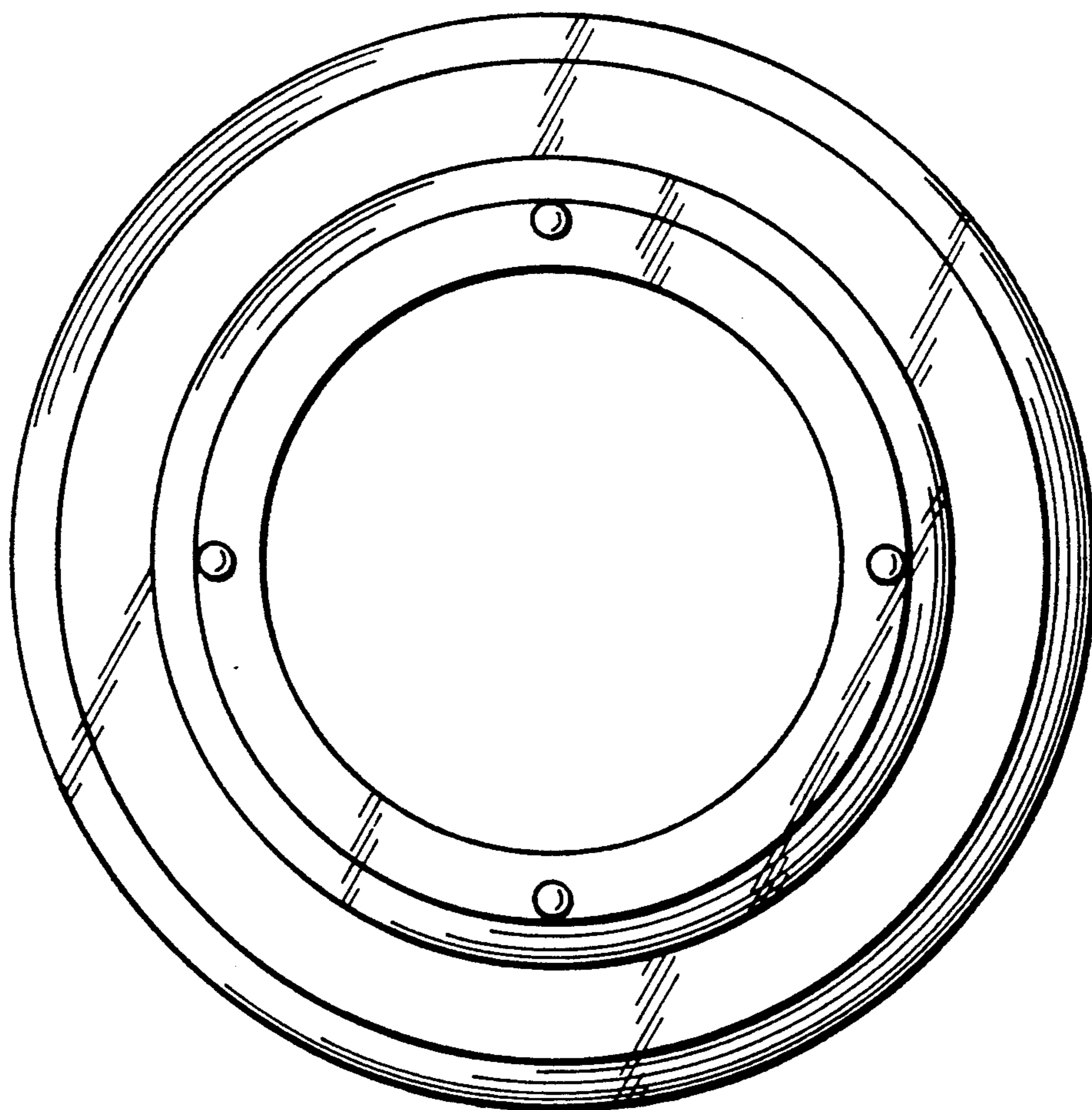


FIG. 2

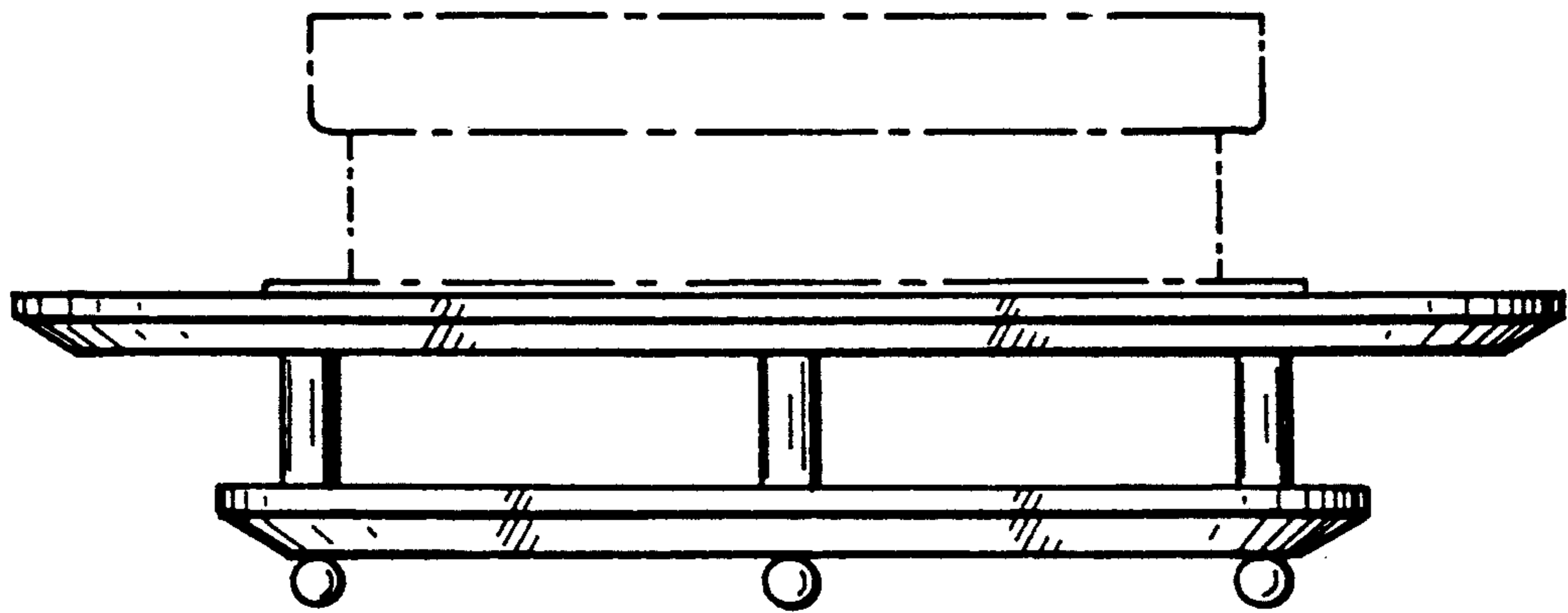


FIG. 4

