



US00D341440S

United States Patent [19]

[11] Patent Number: Des. 341,440

Hsu

[45] Date of Patent: ** Nov. 16, 1993

[54] WALL LAMP

OTHER PUBLICATIONS

[76] Inventor: Keen Hsu, 11 Fl., No. 195-10, Nin Hsia Rd., Taichung, Taiwan

Home Lighting & Accessories, Feb. 1990, p. 37, Quoizel Inc. wall lamp (top, right).
Thomas Industries Inc. "Majestic" lighting catalog, 1988, p. 115, wall lamp #M-5285-55.

[**] Term: 14 Years

Primary Examiner—Susan J. Lucas
Attorney, Agent, or Firm—Bacon & Thomas

[21] Appl. No.: 948,880

[57] CLAIM

[22] Filed: Sep. 21, 1992

The ornamental design for wall lamp, as shown and described.

[52] U.S. Cl. D26/87

[58] Field of Search D26/72, 80-92;
362/147, 432, 404-408

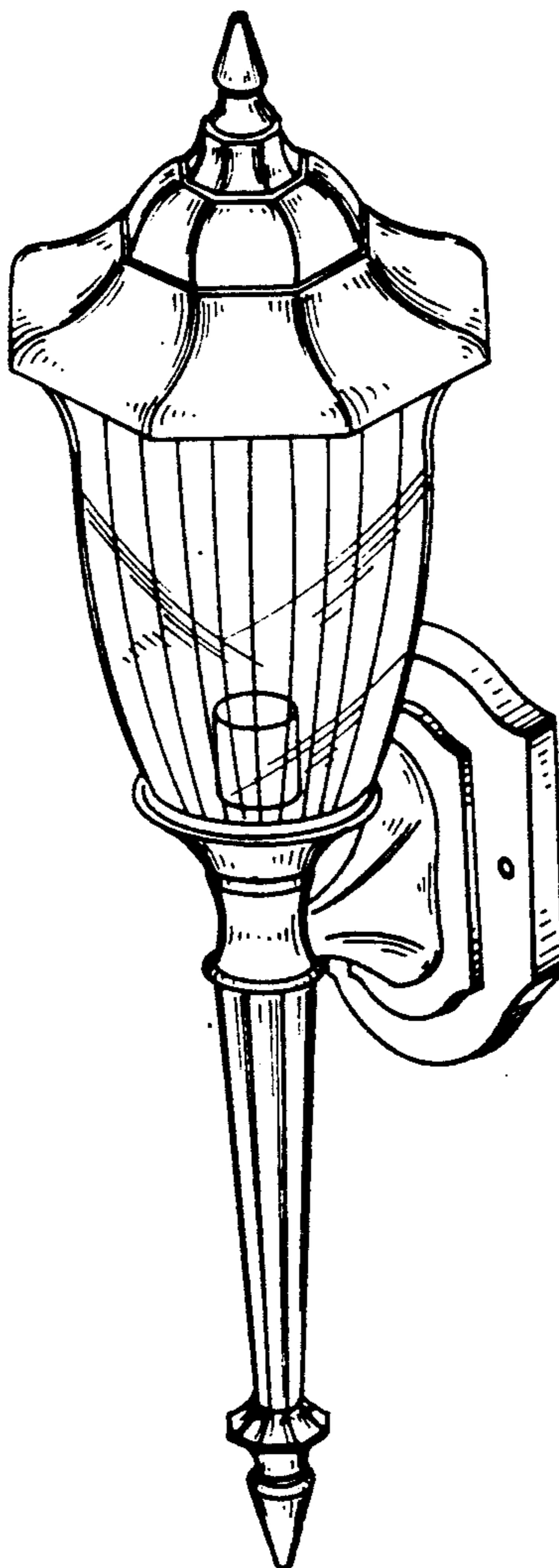
DESCRIPTION

[56] References Cited

U.S. PATENT DOCUMENTS

D. 206,083	10/1966	Rosen	D26/87
D. 313,668	1/1991	Porter	D26/87
D. 318,930	8/1991	Choi	D26/87
4,712,166	12/1987	Stewart	362/432 X

FIG. 1 is a perspective view taken from above and one side of wall lamp showing my new design;
FIG. 2 is a front elevational view thereof;
FIG. 3 is a rear elevational view thereof;
FIG. 4 is a left side elevational view thereof;
FIG. 5 is a right side elevational view thereof;
FIG. 6 is a top plan view thereof; and,
FIG. 7 is a bottom plan view thereof.



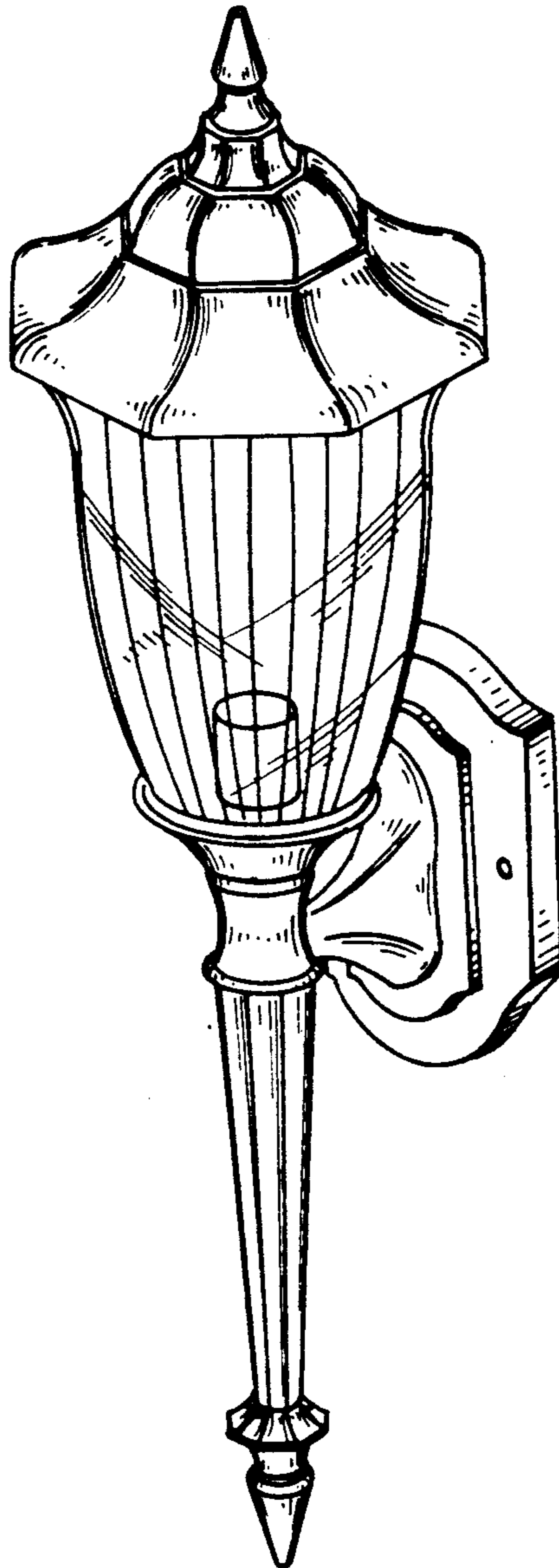


Fig. 1

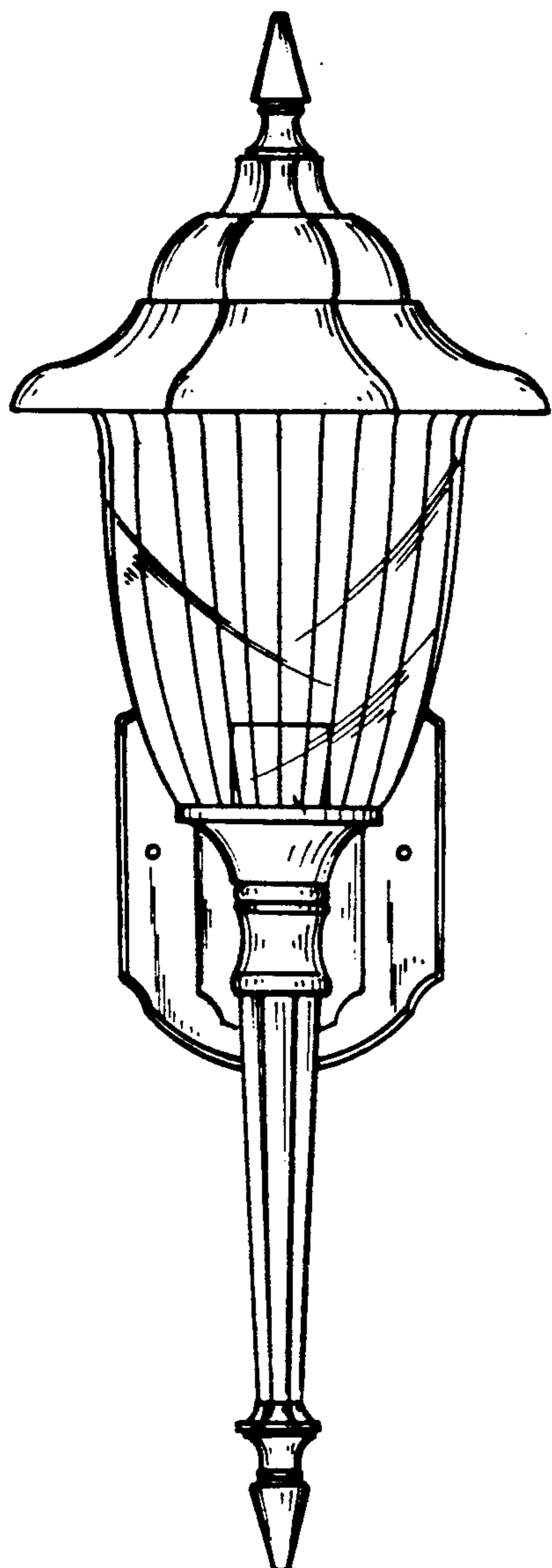


Fig . 2

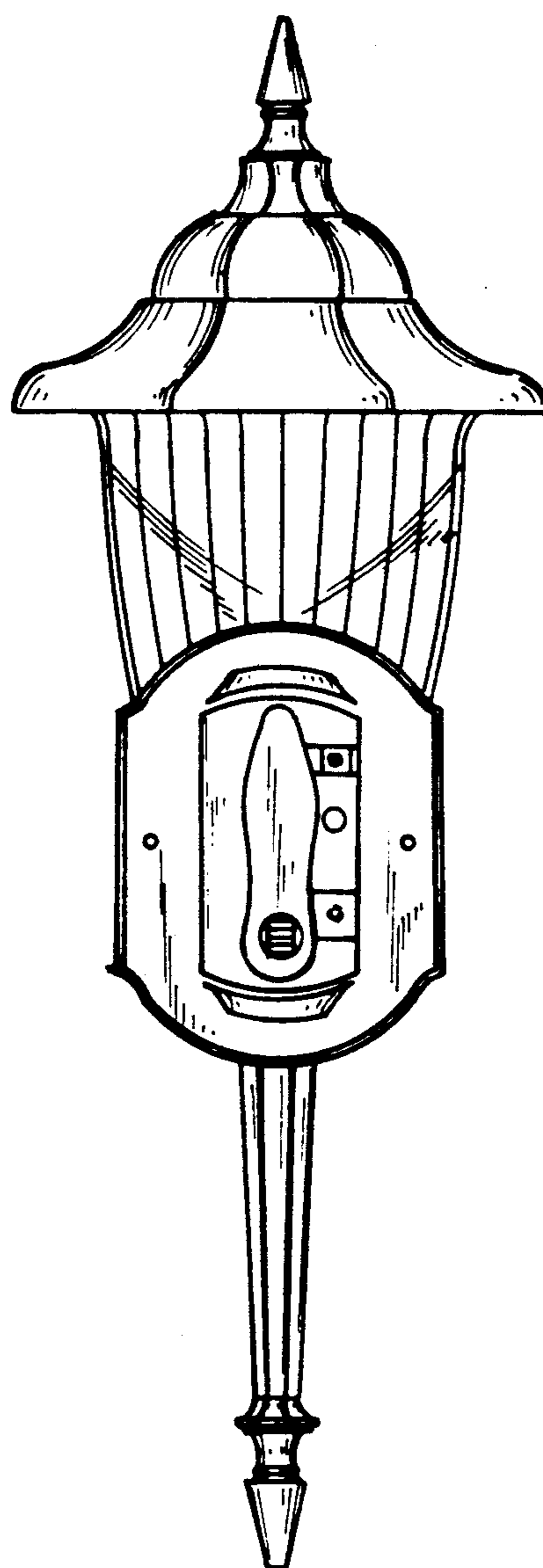


Fig . 3

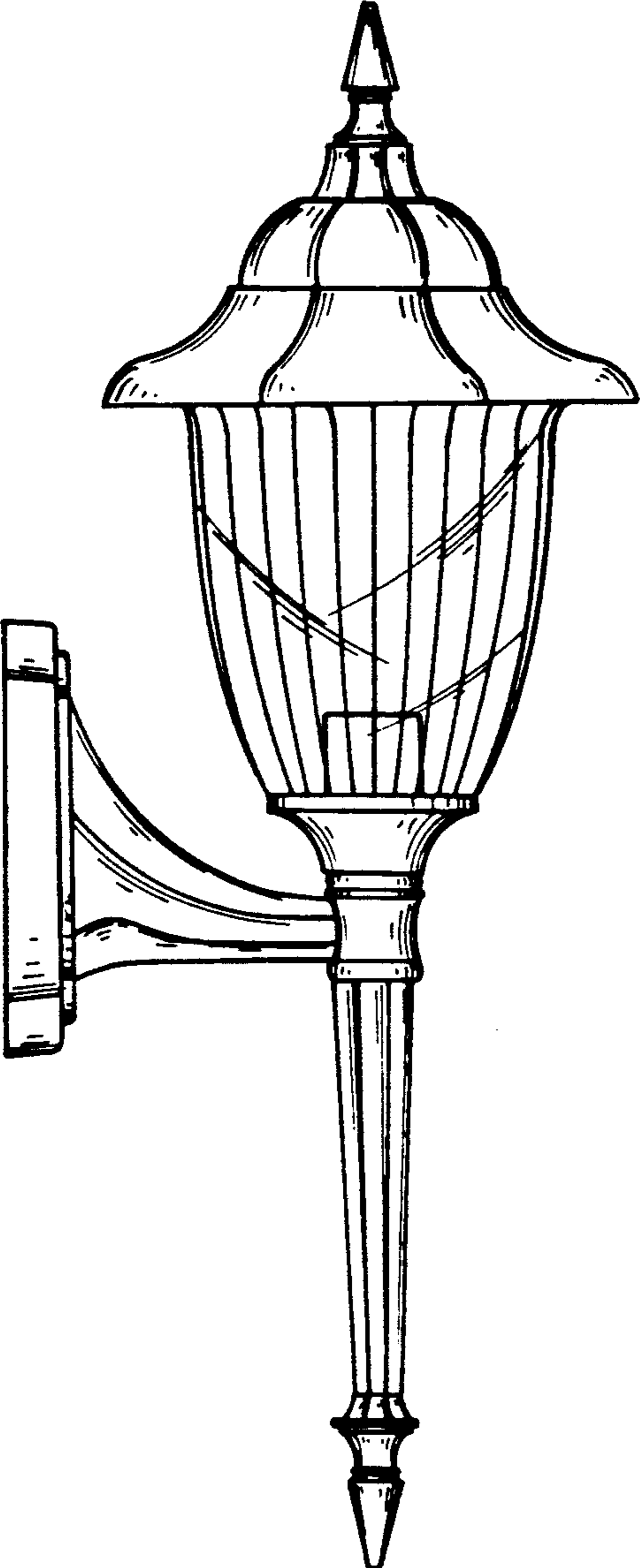


Fig. 4

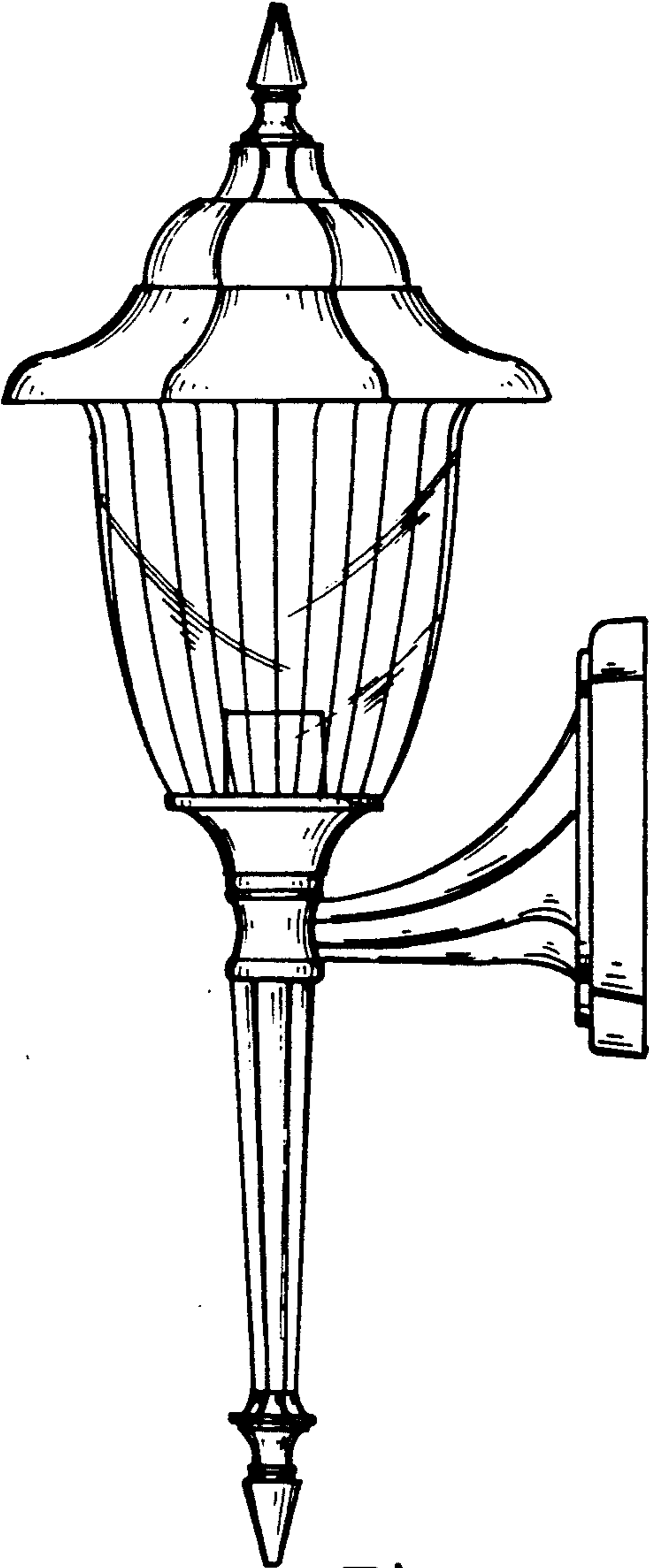


Fig. 5

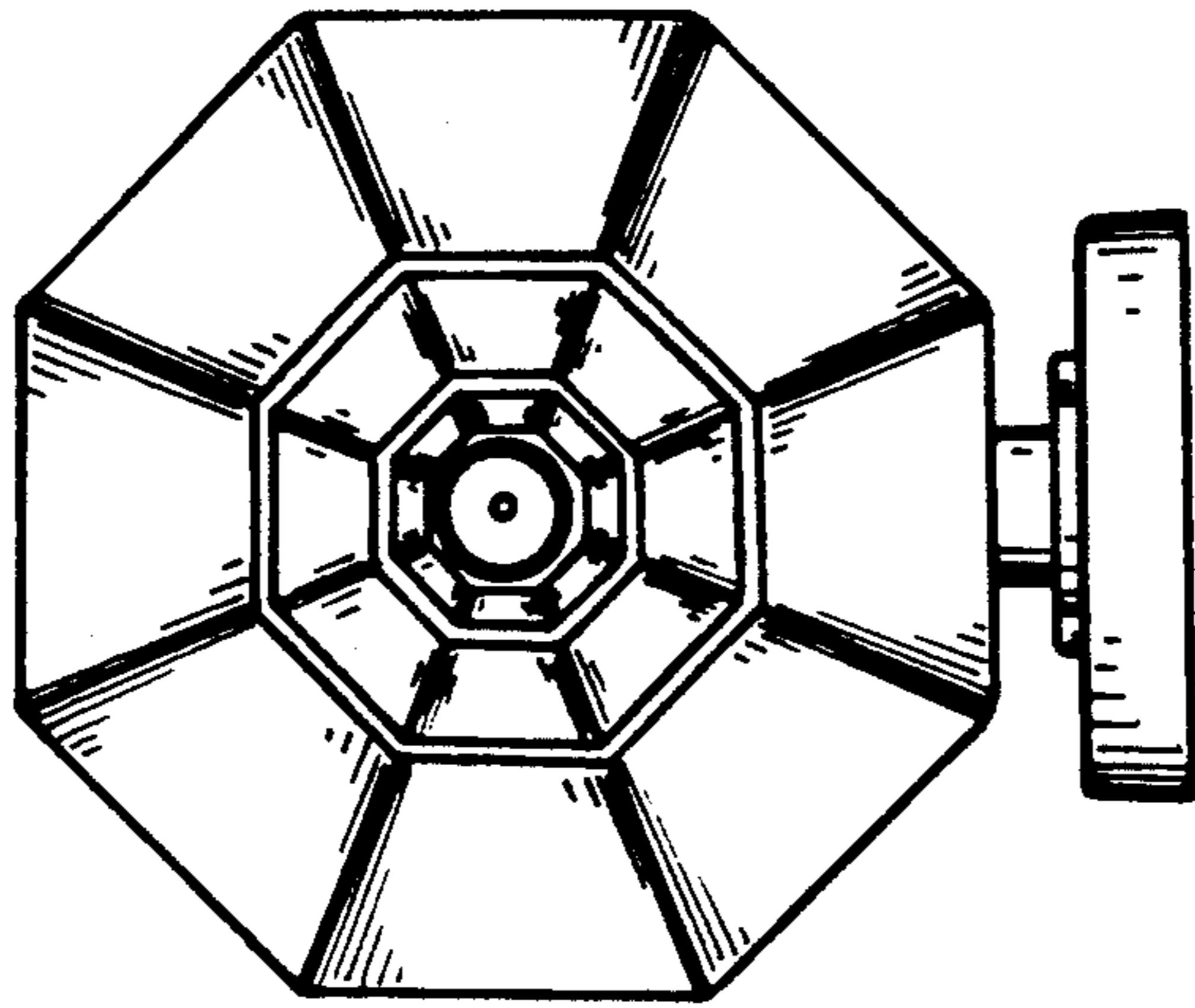


Fig. 6

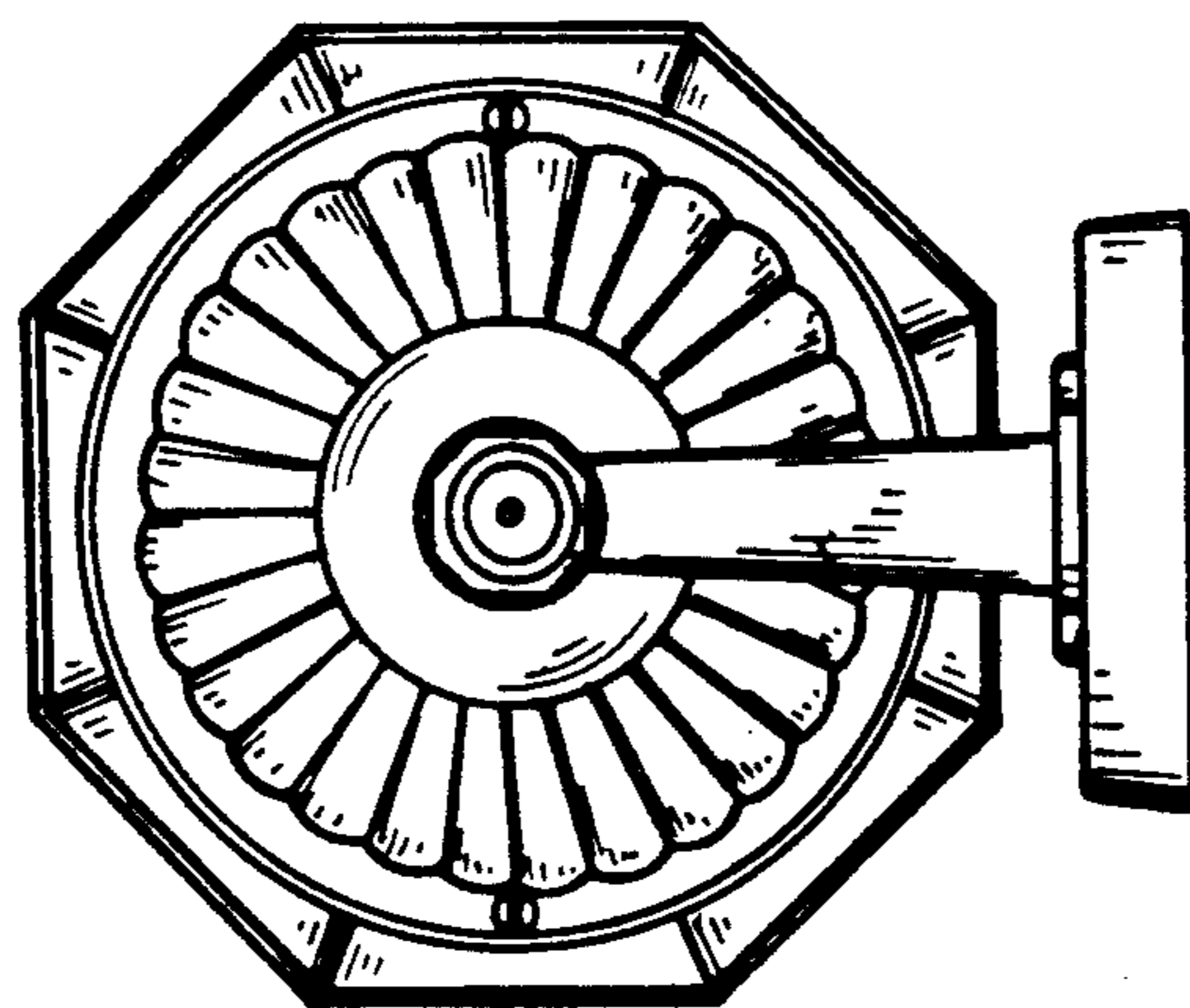


Fig. 7