



US00D341436S

United States Patent [19]

[11] Patent Number: **Des. 341,436**

Cole

[45] Date of Patent: **** Nov. 16, 1993**

[54] WINDOW COMPONENT EXTRUSION

[56] References Cited

[75] Inventor: **Douglas L. Cole, Seattle, Wash.**

U.S. PATENT DOCUMENTS

D. 307,485 4/1990 Westphal et al. D25/124
D. 308,103 5/1990 Westphal et al. D25/124
4,286,716 9/1981 Budich et al. 49/504

[73] Assignee: **Mikron Industries, Kent, Wash.**

Primary Examiner—A. Hugo Word
Assistant Examiner—Doris Clark
Attorney, Agent, or Firm—Seed and Berry

[**] Term: **14 Years**

[57] CLAIM

[21] Appl. No.: **673,099**

The ornamental design for a window component extrusion, as shown and described.

[22] Filed: **Mar. 20, 1991**

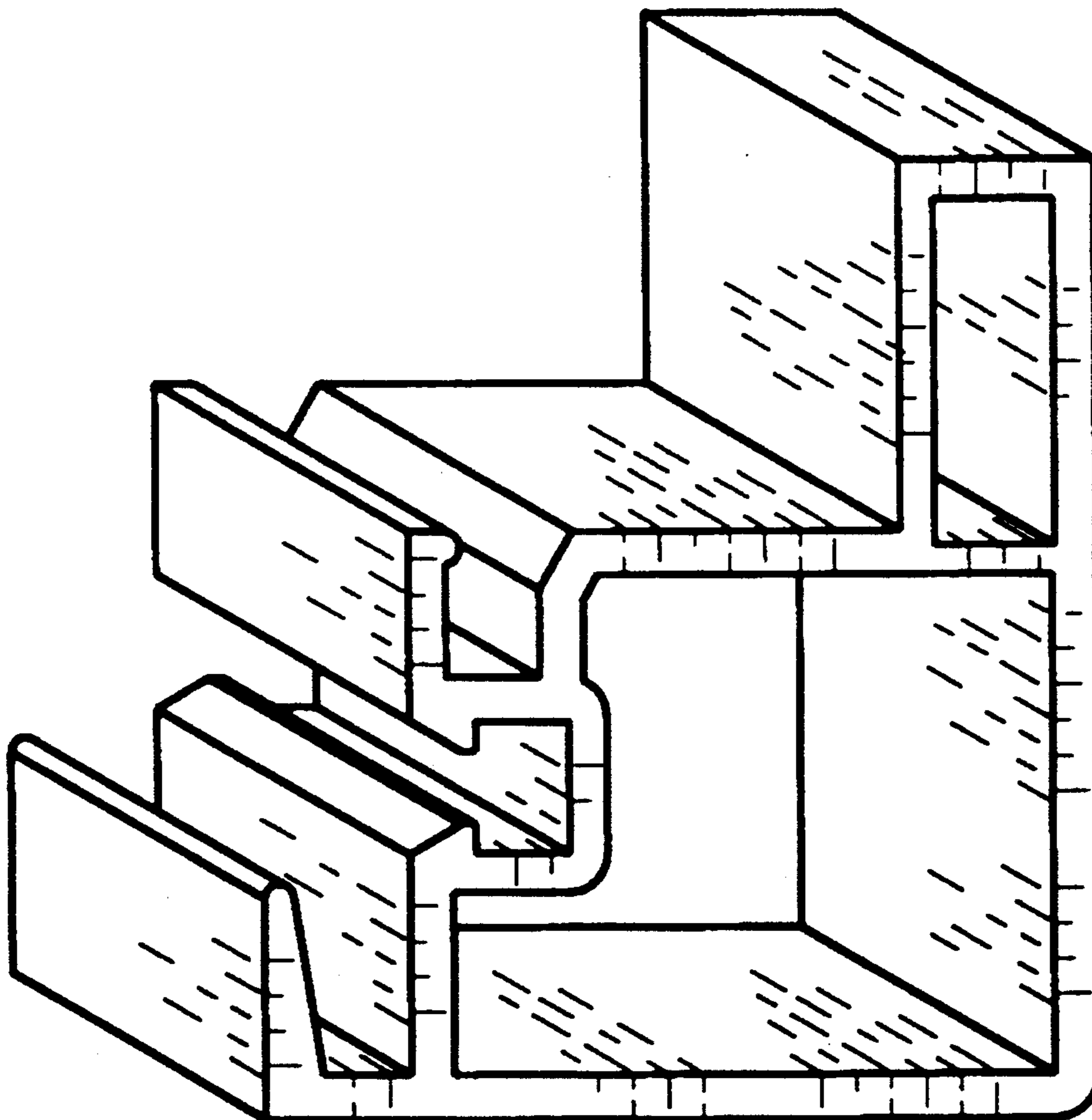
DESCRIPTION

[52] U.S. Cl. **D25/124**

FIG. 1 is a top, right, perspective view of a window component extrusion showing my new design, the window component extrusion being of indefinite length; and,

[58] Field of Search D25/119-125,
D25/52; 49/75, 501, 504, 404, 413, 419, DIG.
2; 52/202, 731, 735

FIG. 2 is a bottom, left, perspective view therefor.



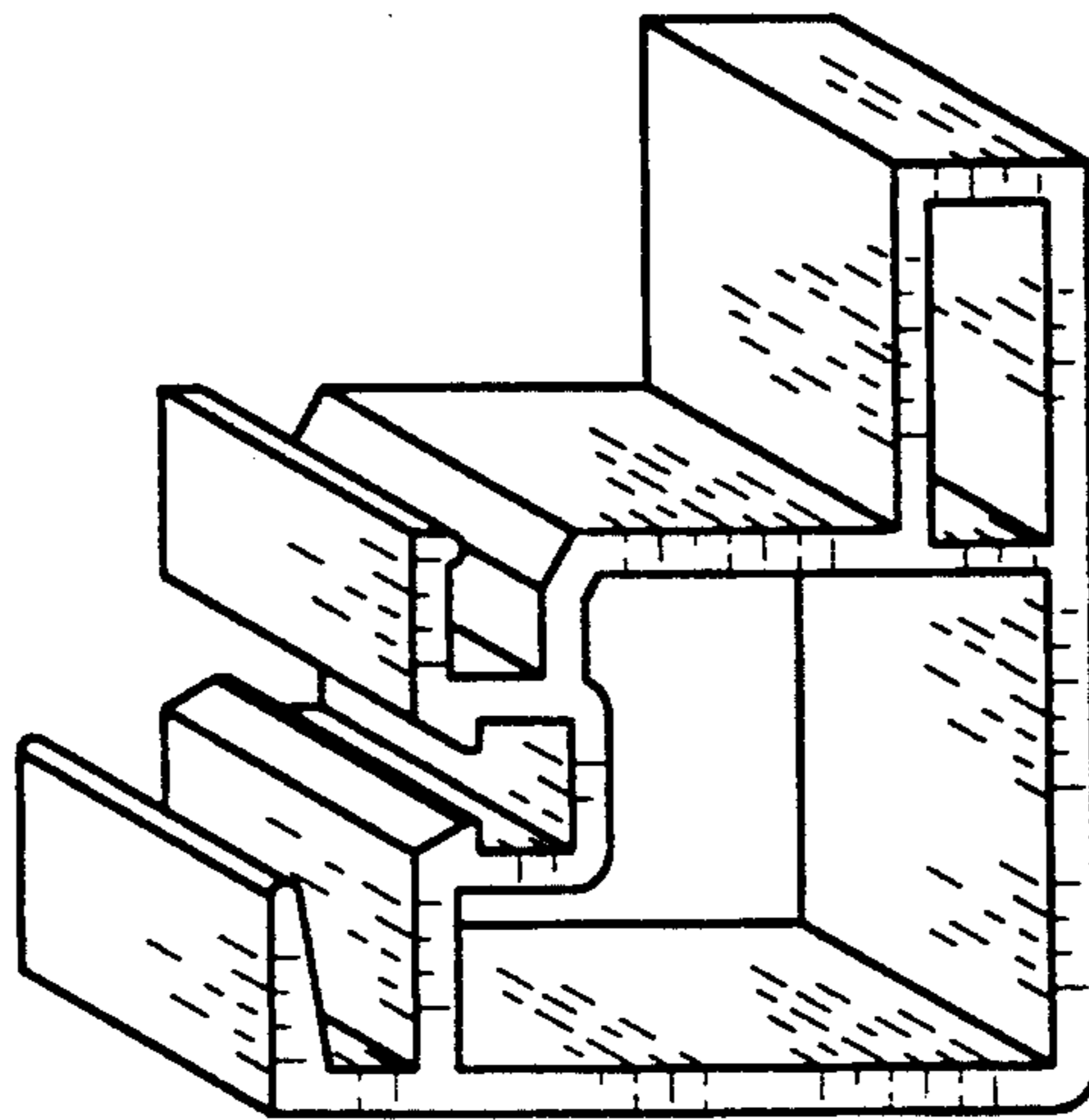


FIG. 1

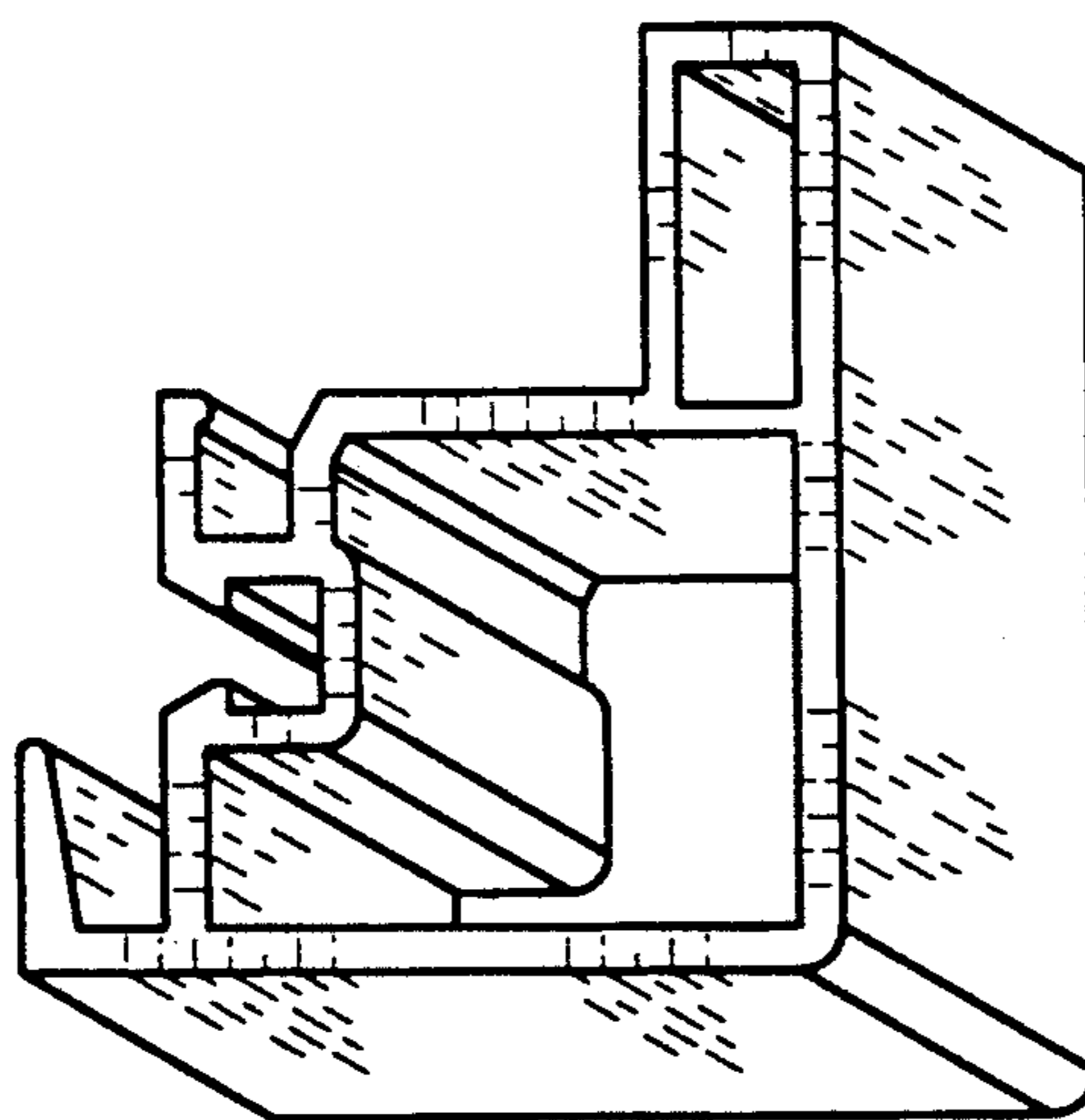


FIG. 2