



US00D341435S

United States Patent [19]

[11] Patent Number: **Des. 341,435**

Cole

[45] Date of Patent: ** Nov. 16, 1993

[54] WINDOW STILE EXTRUSION

[75] Inventor: Douglas L. Cole, Seattle, Wash.

[73] Assignee: Mikron Industries, Kent, Wash.

[**] Term: 14 Years

[21] Appl. No.: 707,400

[22] Filed: May 30, 1991

[52] U.S. Cl. D25/124

[58] Field of Search D25/52, 119-125;
49/501, 504, DIG. 2; 52/202-204

D. 301,067 5/1989 Dallaire et al. D25/124

D. 307,944 5/1990 Westphal et al. D25/124

D. 308,103 5/1990 Westphal et al. D25/124

Primary Examiner—A. Hugo Word
Assistant Examiner—Doris Clark
Attorney, Agent, or Firm—Seed and Berry

[57] CLAIM

The ornamental design for a window stile extrusion, as shown and described.

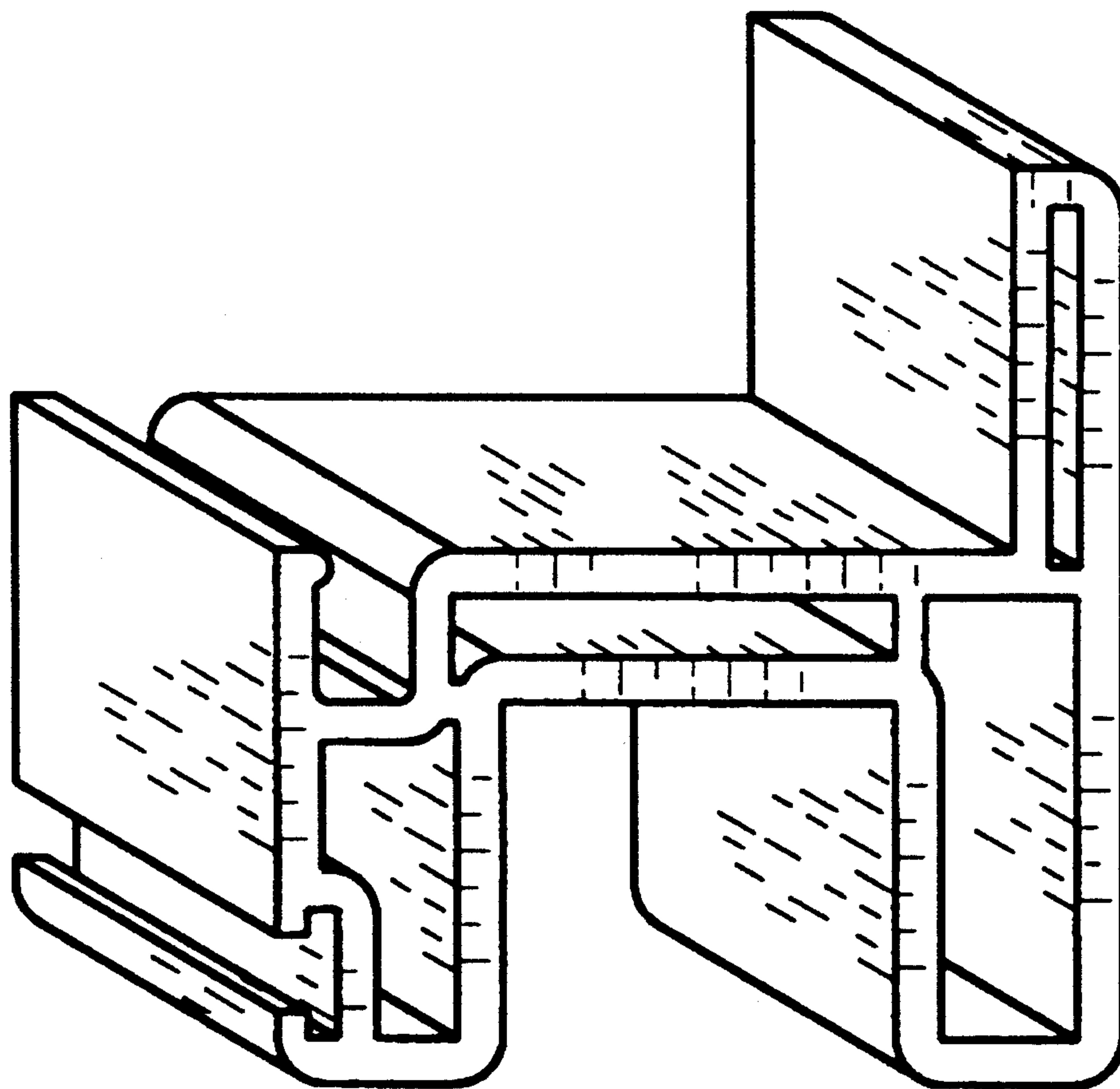
DESCRIPTION

FIG. 1 is a top, right, perspective view of a window stile extrusion showing my new design, the window stile extrusion being of indefinite length; and, FIG. 2 is a bottom, left, perspective view therefor.

[56] **References Cited**

U.S. PATENT DOCUMENTS

D. 261,306 10/1981 Schmidt D25/124



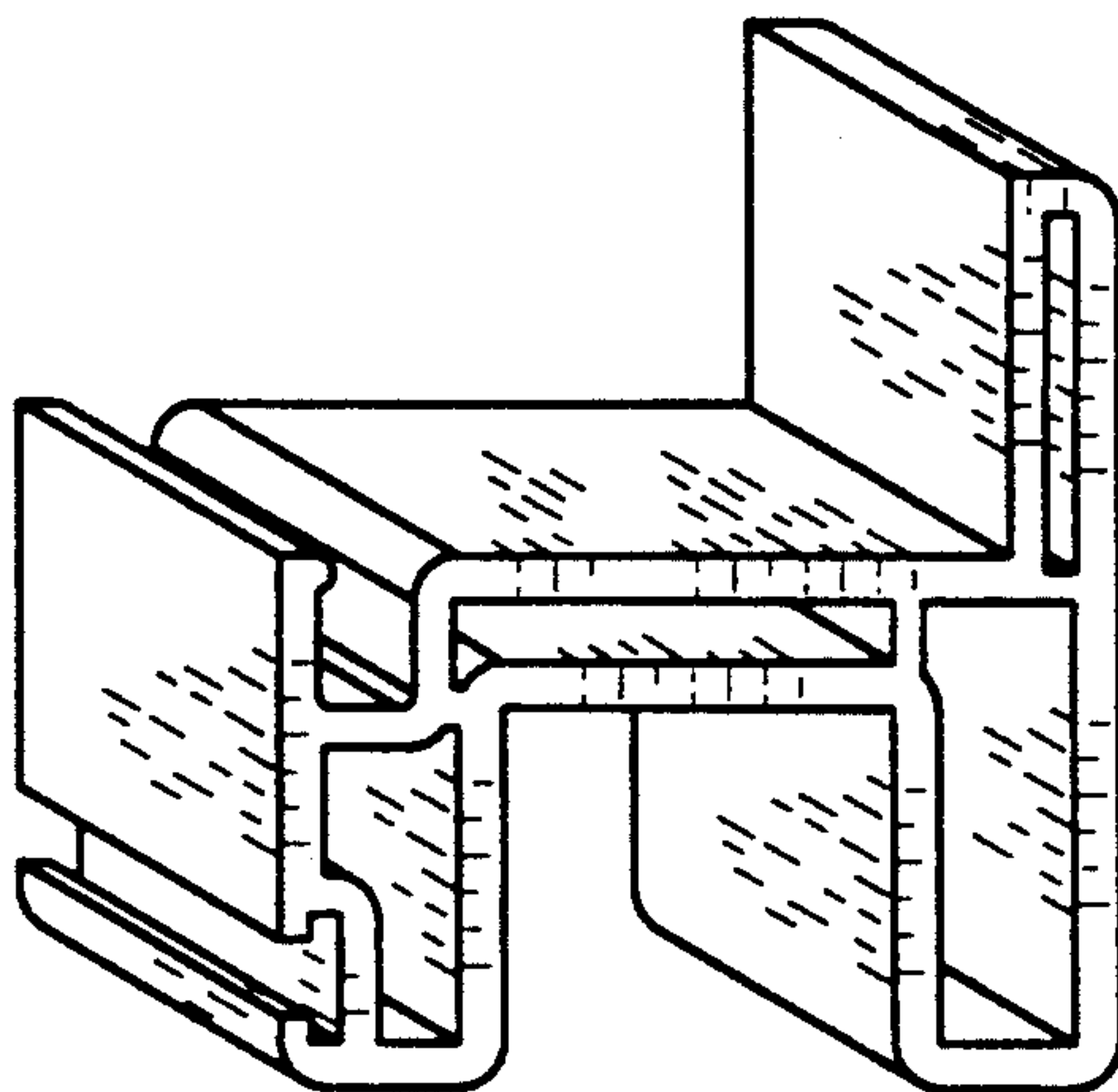


FIG. 1

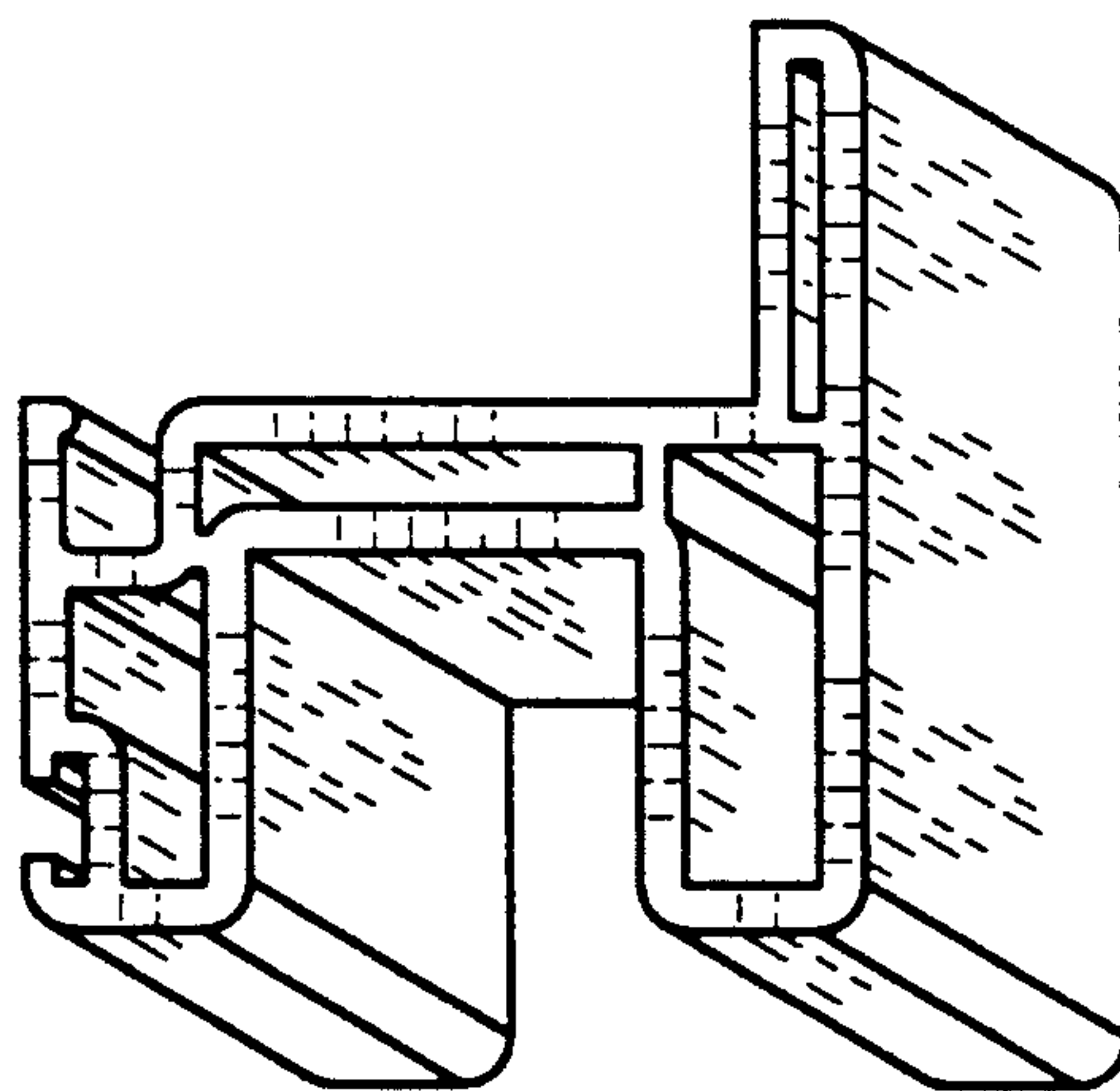


FIG. 2