



US00D341433S

# United States Patent [19]

[11] Patent Number: **Des. 341,433**

**Rausch**

[45] Date of Patent: **\*\* Nov. 16, 1993**

## [54] EMBANKMENT BLOCK

[75] Inventor: **Peter Rausch**, Foelz 186, A-8621  
Thoerl, Austria

[73] Assignee: **Peter Rausch**, Austria

[\*\*] Term: **14 Years**

[21] Appl. No.: **761,626**

[22] Filed: **Sep. 18, 1991**

[52] U.S. Cl. .... **D25/118**

[58] Field of Search ..... **D25/112-118,**  
**D25/151; 52/604, 606, 596, 598, 602, 605,**  
**607-610, 612; 47/83, 53, 47, 86; 405/284**

## [56] References Cited

### U.S. PATENT DOCUMENTS

D. 183,597	9/1958	Clark	.....	D25/114
D. 192,734	5/1962	Terry	.....	D25/118
D. 310,267	8/1990	Zeidman	.....	D25/113
4,190,384	2/1980	Neumann	.	
4,380,887	4/1983	Lee	.....	52/606
4,521,138	6/1985	Steiner	.	
4,524,551	6/1985	Scheiwiller	.	
4,671,706	6/1987	Giardini	.	
4,748,776	6/1988	Yu	.....	52/606
4,964,761	10/1990	Rossi	.	

## FOREIGN PATENT DOCUMENTS

0013535	7/1979	European Pat. Off.	.	
0047718	3/1992	European Pat. Off.	.	
806046	3/1951	Fed. Rep. of Germany	....	D25/114
3040410	3/1982	Fed. Rep. of Germany	.	
2545128	11/1984	France	.	
2604859	10/1986	France	.	
WO85/03535	8/1985	PCT Int'l Appl.	.	
WO85/03536	8/1985	PCT Int'l Appl.	.	
273890	3/1951	Switzerland	.....	52/606

*Primary Examiner*—A. Hugo Word  
*Assistant Examiner*—Doris Clark

## [57] CLAIM

The ornamental design for an embankment block, as shown and described.

## DESCRIPTION

FIG. 1 is a front perspective view of the embankment block of the subject invention;  
 FIG. 2 is a top plan view of the embankment block of FIG. 1;  
 FIG. 3 is a front elevational view of the embankment block of FIG. 1;  
 FIG. 4 is a side elevational view of the embankment block of FIG. 1, the opposite side being a mirror image thereof;  
 FIG. 5 is a bottom plan view of the embankment block of FIG. 1; and,  
 FIG. 6 is a rear elevational view of the embankment block of FIG. 1.

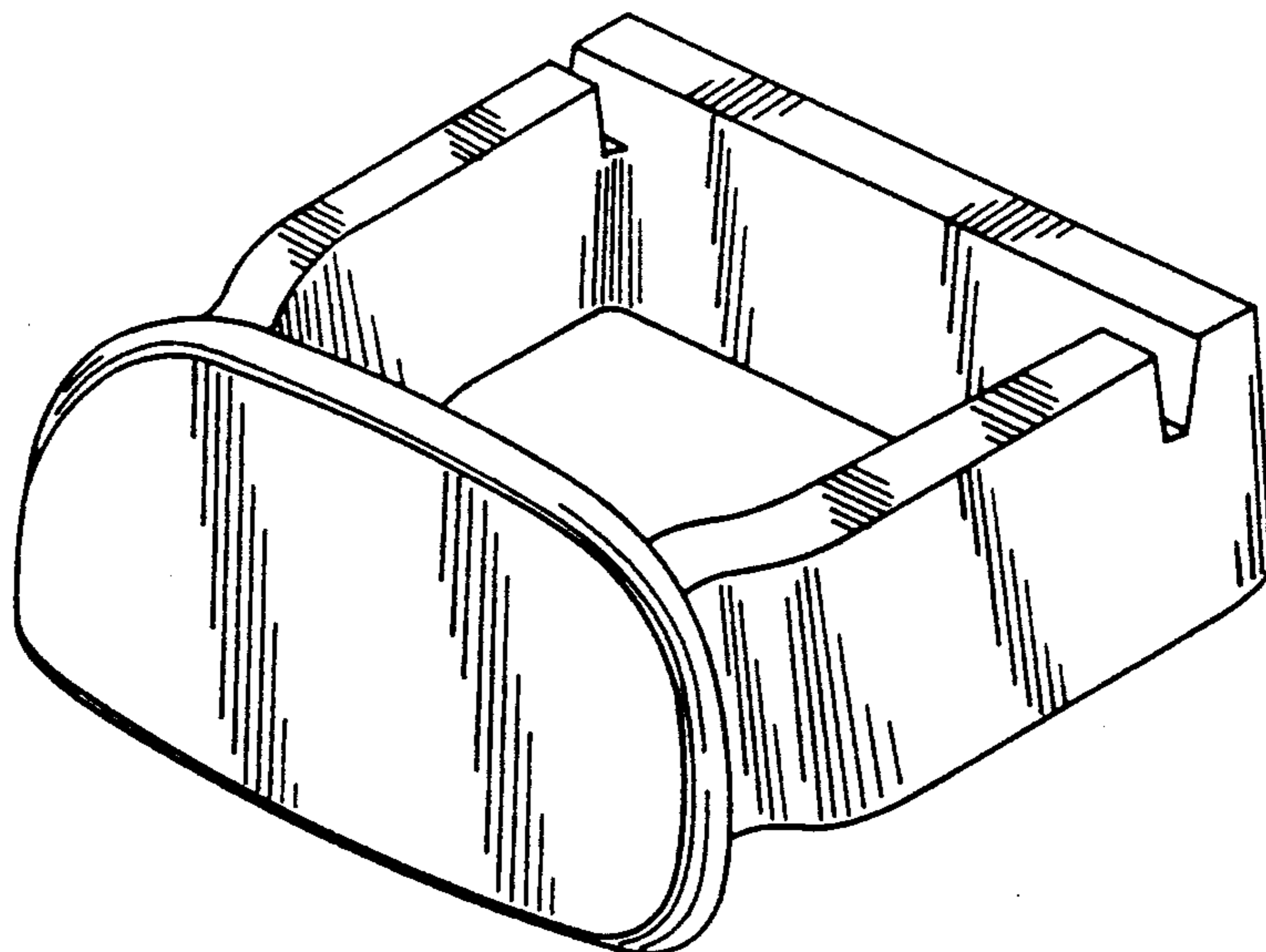


FIG. 1

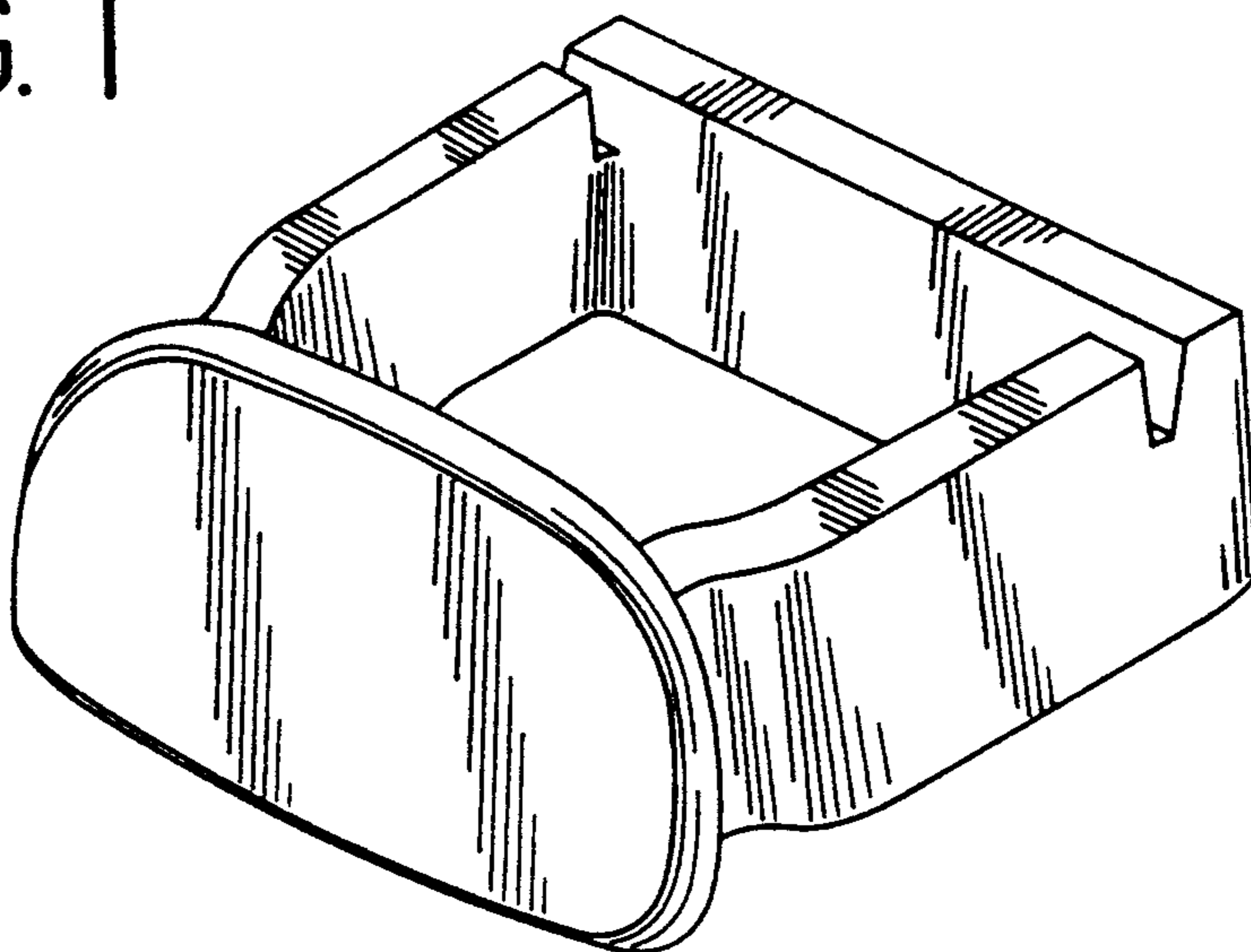


FIG. 2

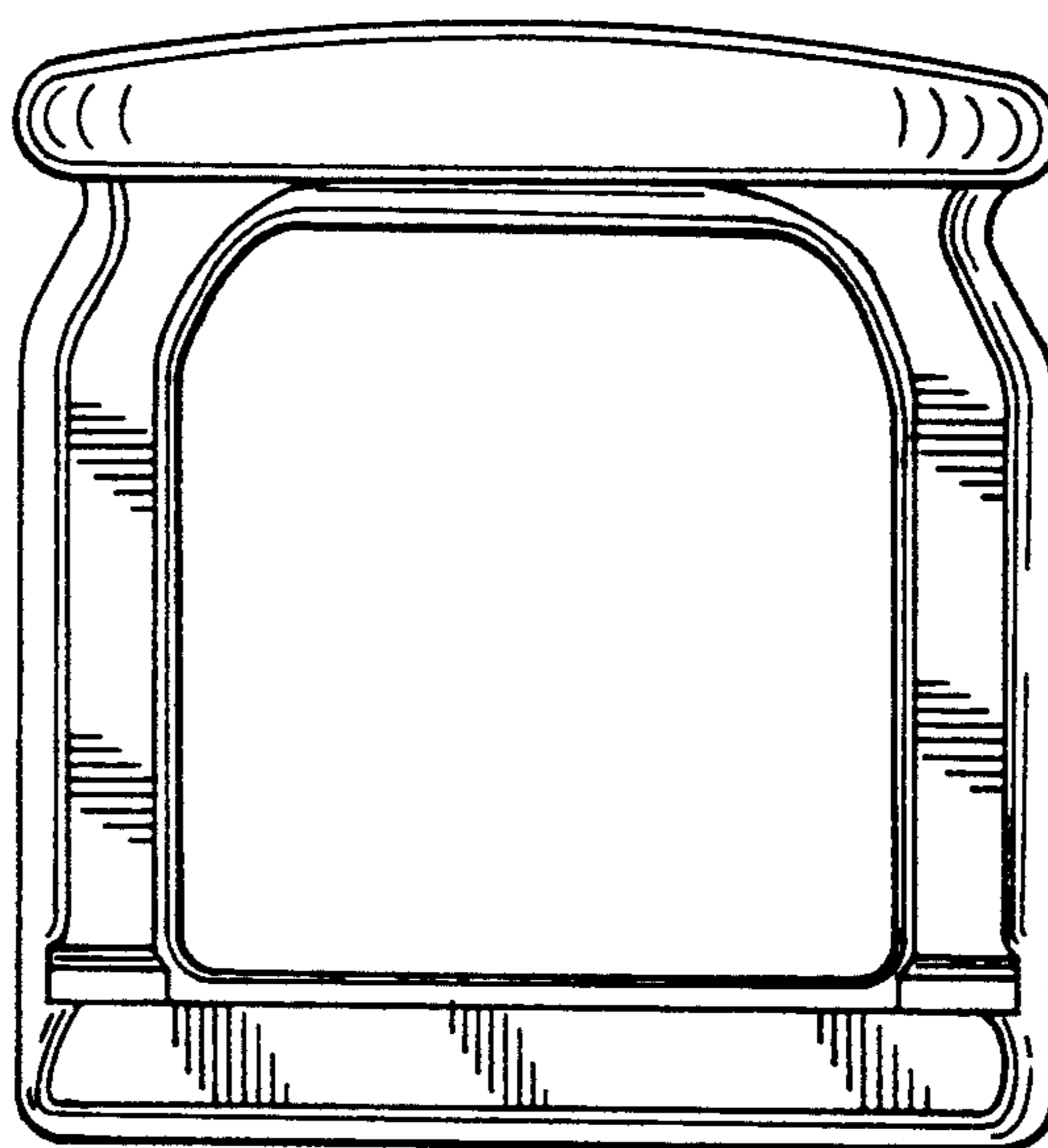


FIG. 3

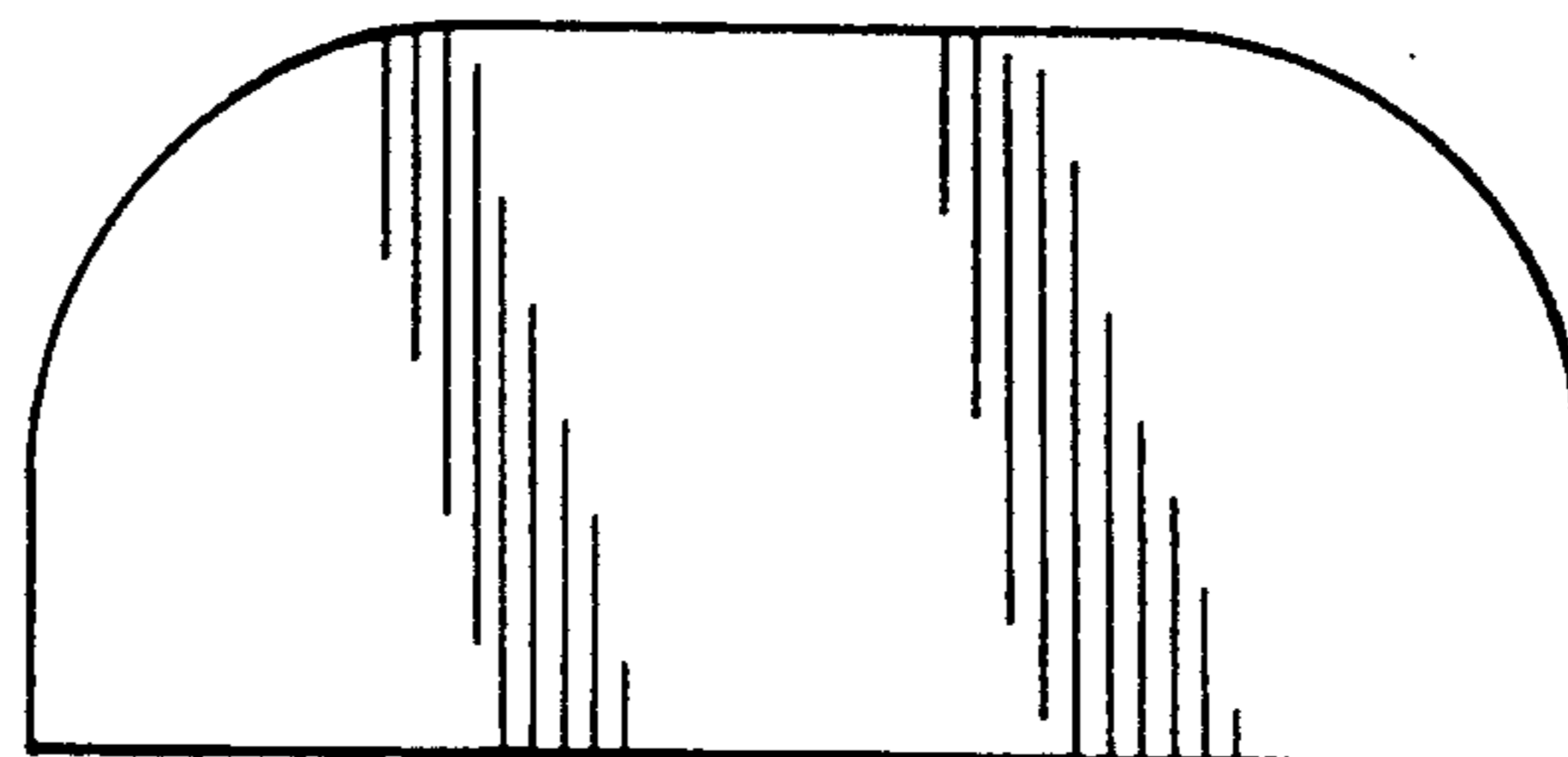


FIG. 4

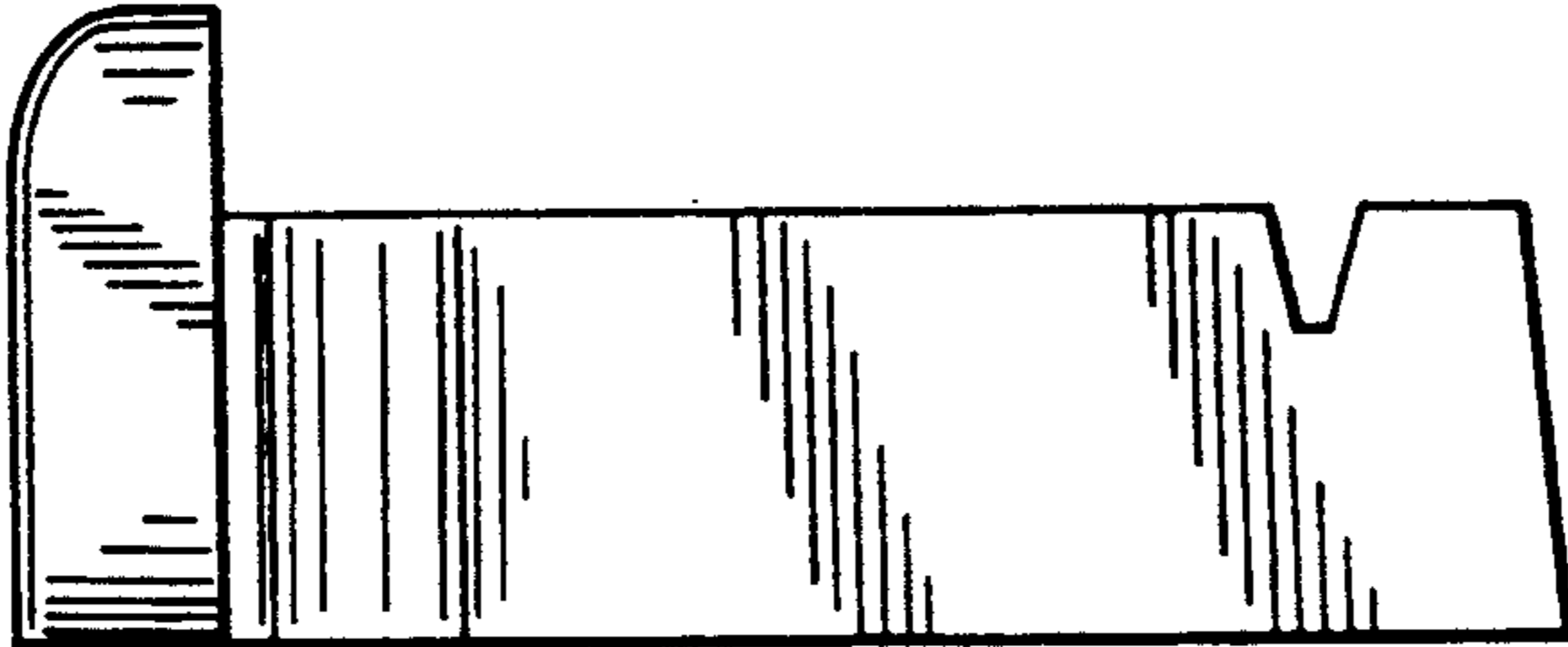


FIG. 5

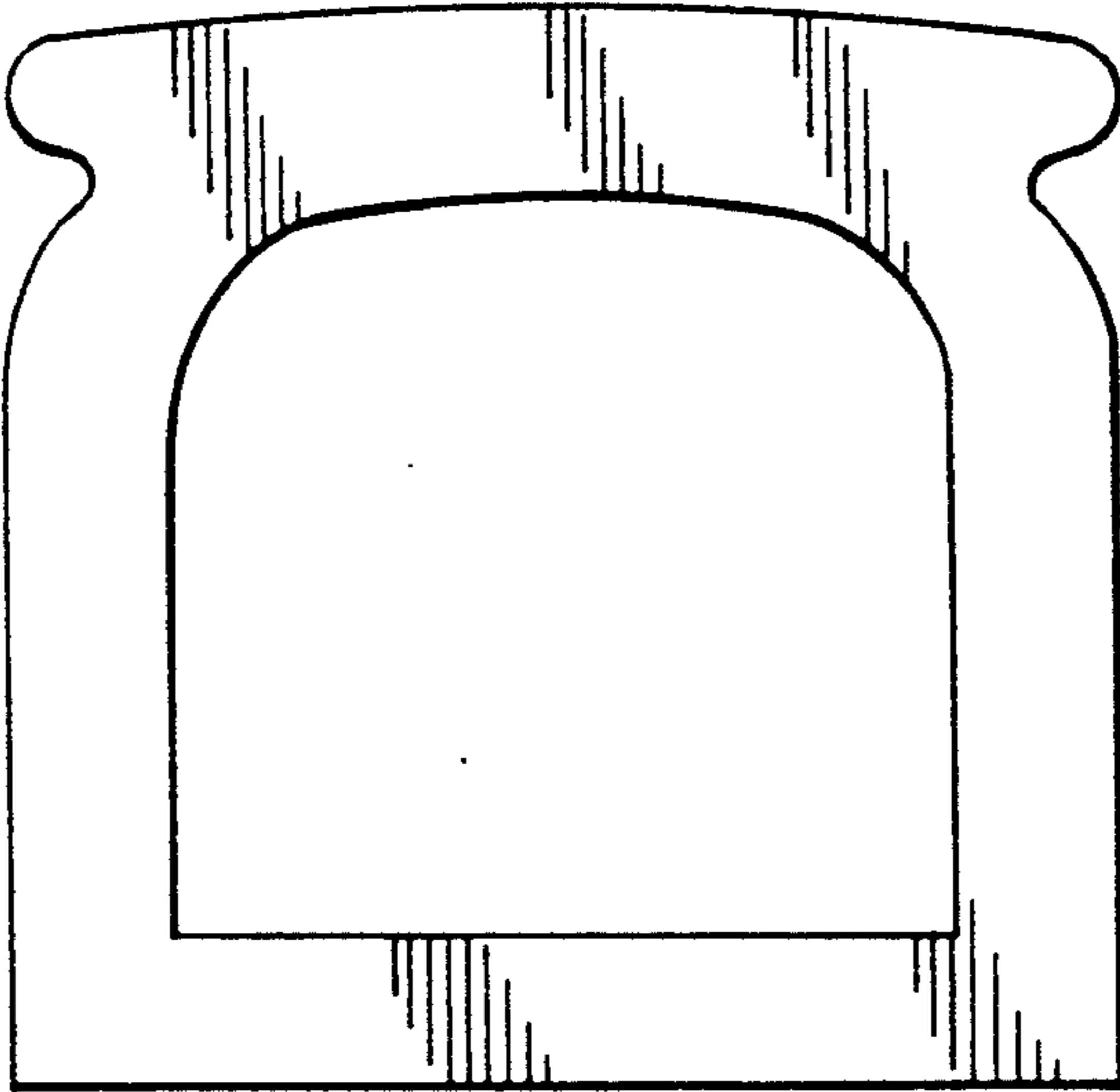


FIG. 6

