



US00D341428S

# United States Patent [19]

[11] Patent Number: **Des. 341,428**

Turner

[45] Date of Patent: **\*\* Nov. 16, 1993**

[54] **MULTI CHANNEL PIPETTE WORK STATION**

[75] Inventor: **Joseph B. Turner, Flemington, N.J.**

[73] Assignee: **Zeus Scientific, Inc., Raritan, N.J.**

[\*\*] Term: **14 Years**

[21] Appl. No.: **736,901**

[22] Filed: **Jul. 29, 1991**

[52] U.S. Cl. .... **D24/222; D24/227**

[58] Field of Search ..... **D24/222, 224, 227, 229, D24/233, 234, 230; 73/863.32, 864.01, 864.51, 864.91, 864.16, 864.17, 864.22, 864.23**

[56] **References Cited**

### U.S. PATENT DOCUMENTS

- D. 249,362 9/1978 Forsman et al. .... D24/230
- D. 305,565 1/1990 Malinoff ..... D24/222

- D. 312,692 12/1990 Bradley ..... D24/230
- 3,494,201 2/1970 Roach ..... D24/222 X
- 3,687,175 8/1972 Babey ..... 73/863.32 X
- 4,459,864 7/1984 Cirincione ..... 73/863.32
- 4,827,780 5/1989 Sarrine et al. .... 422/102 X

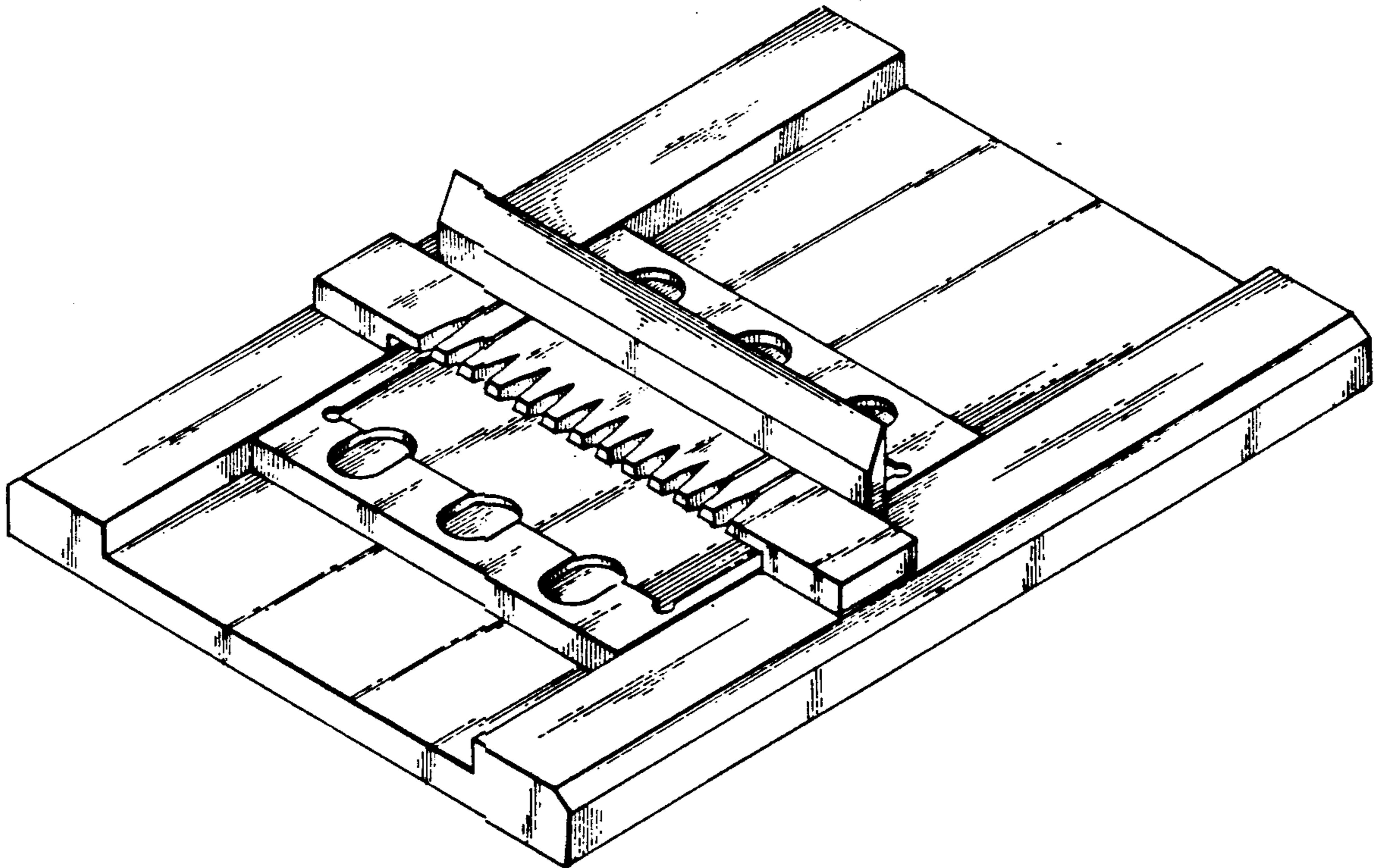
*Primary Examiner*—A. Hugo Word  
*Assistant Examiner*—Ian Simmons  
*Attorney, Agent, or Firm*—Sperry, Zoda & Kane

### [57] CLAIM

The ornamental design for a multi channel pipette work station, as shown and described.

### DESCRIPTION

FIG. 1 is a perspective view embodying my new design;  
 FIG. 2 is a right side view;  
 FIG. 3 is a front view;  
 FIG. 4 is a rear view;  
 FIG. 5 is a top plan view; and,  
 FIG. 6 is a bottom plan view.



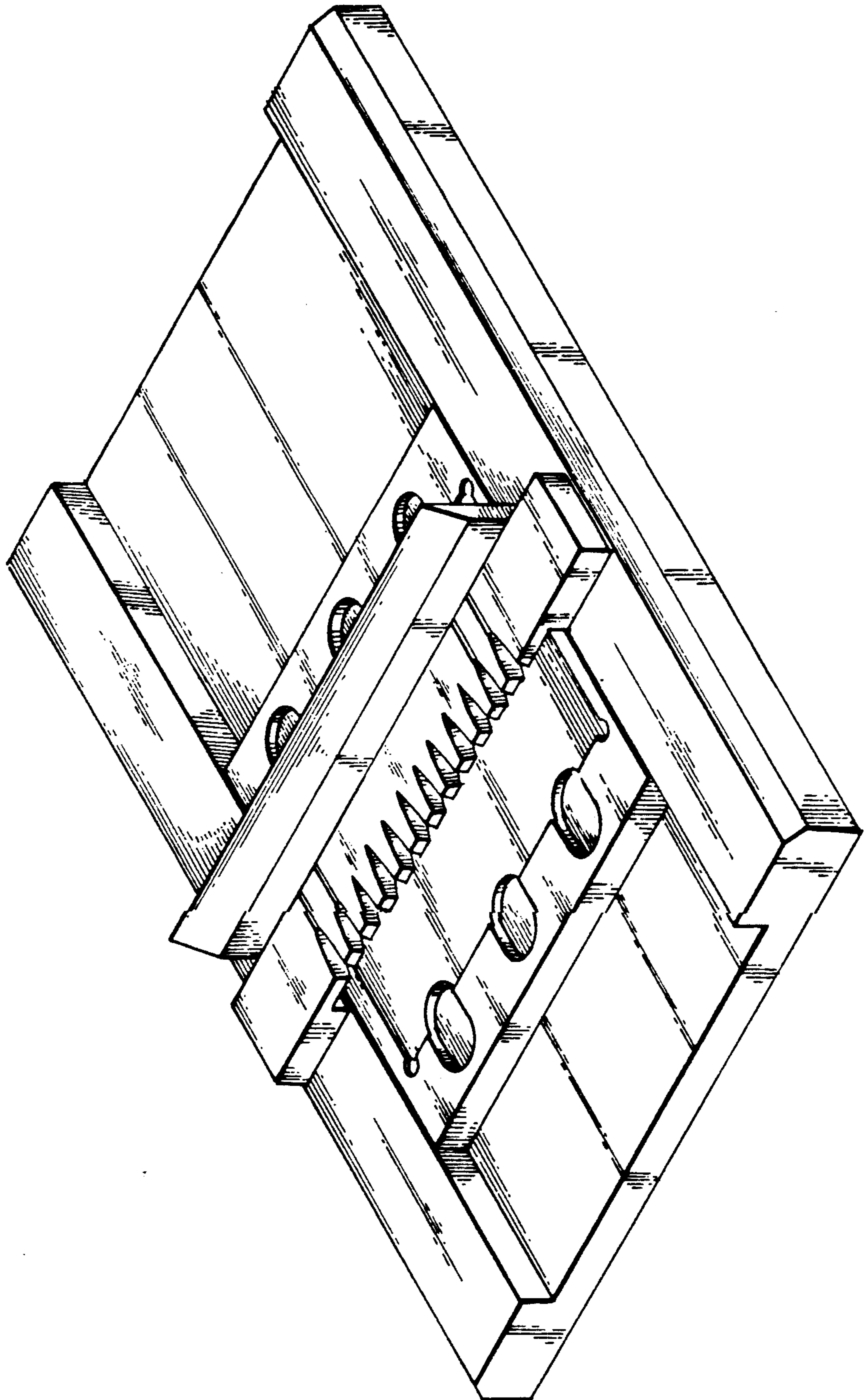


FIG. 1

FIG. 2

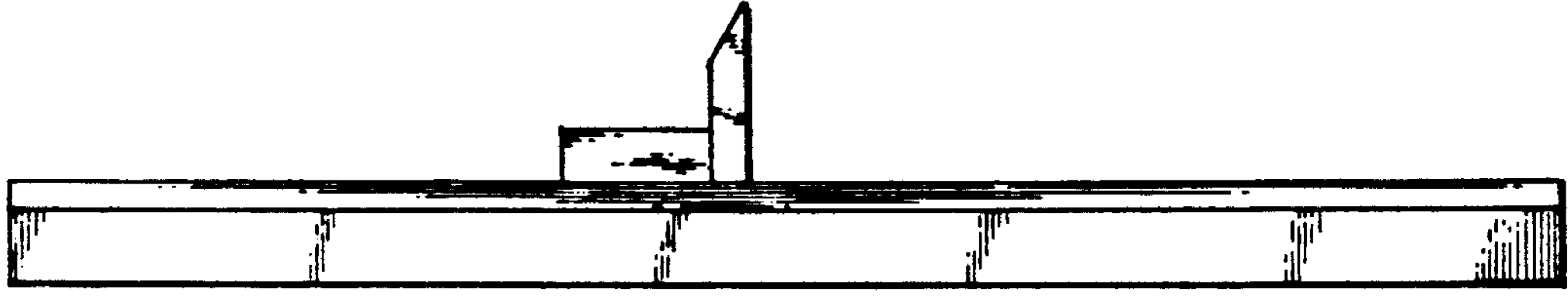


FIG. 3

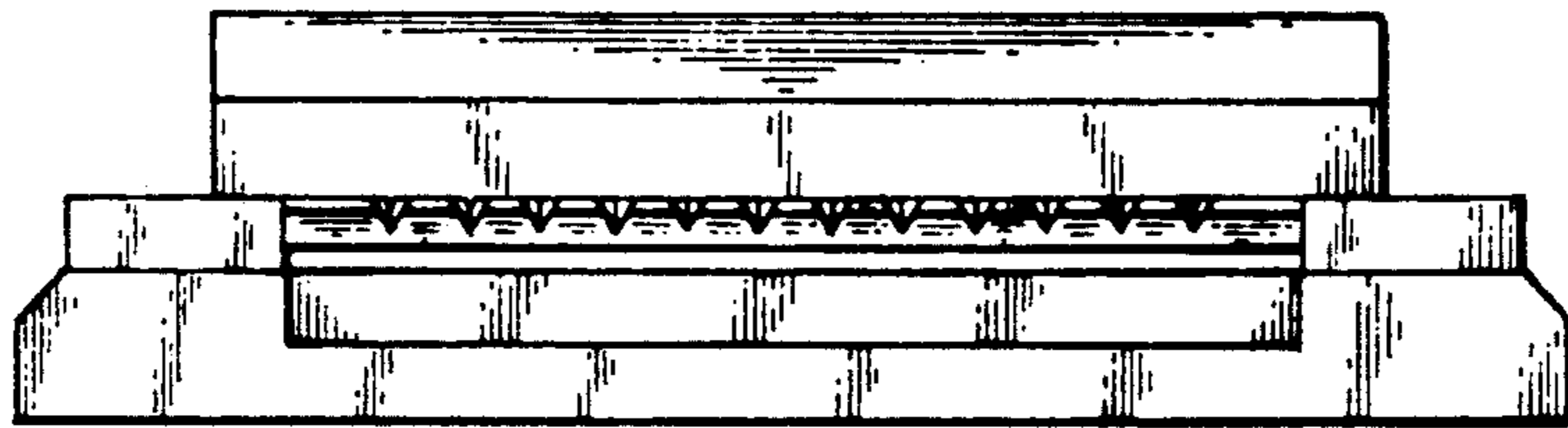


FIG. 4

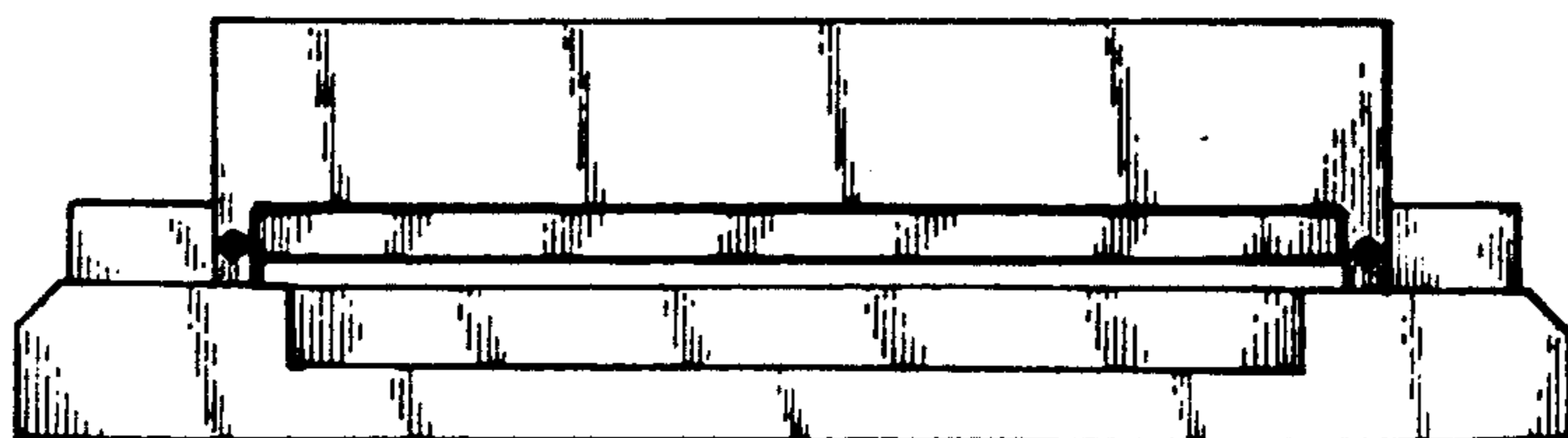




FIG. 5

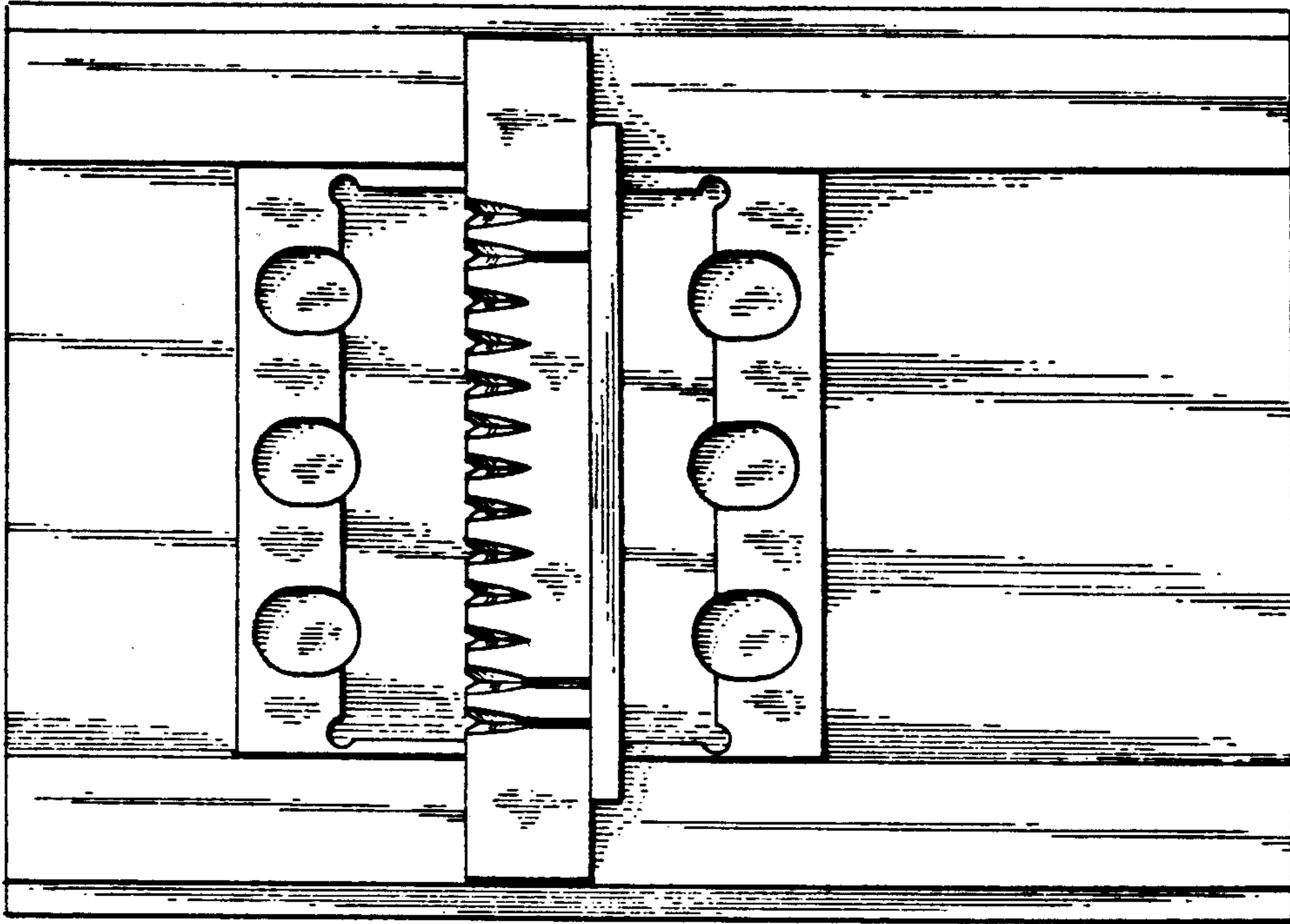


FIG. 6

