



US00D341427S

United States Patent [19]

[11] Patent Number: **Des. 341,427**

Koll

[45] Date of Patent: **** Nov. 16, 1993**

[54] **BODY ROLLER**

D. 253,155	10/1979	Jurida	D24/211 X
1,958,936	5/1934	Bajette et al.	D24/211 X
2,547,115	4/1951	Folley	D24/211 X
2,621,652	12/1952	Ehrhardt	128/57
4,622,956	11/1986	Neisheim	D24/211 X

[76] Inventor: **Walter Koll, Schulstrasse 22, D-5413 Bendorf/Rhein, Fed. Rep. of Germany, D-5413**

[**] Term: **14 Years**

*Primary Examiner—Stella Reid
Attorney, Agent, or Firm—Wegner, Cantor, Mueller & Player*

[21] Appl. No.: **669,443**

[22] Filed: **Mar. 13, 1991**

[57] **CLAIM**

[30] **Foreign Application Priority Data**

The ornamental design for a body roller, as shown and described.

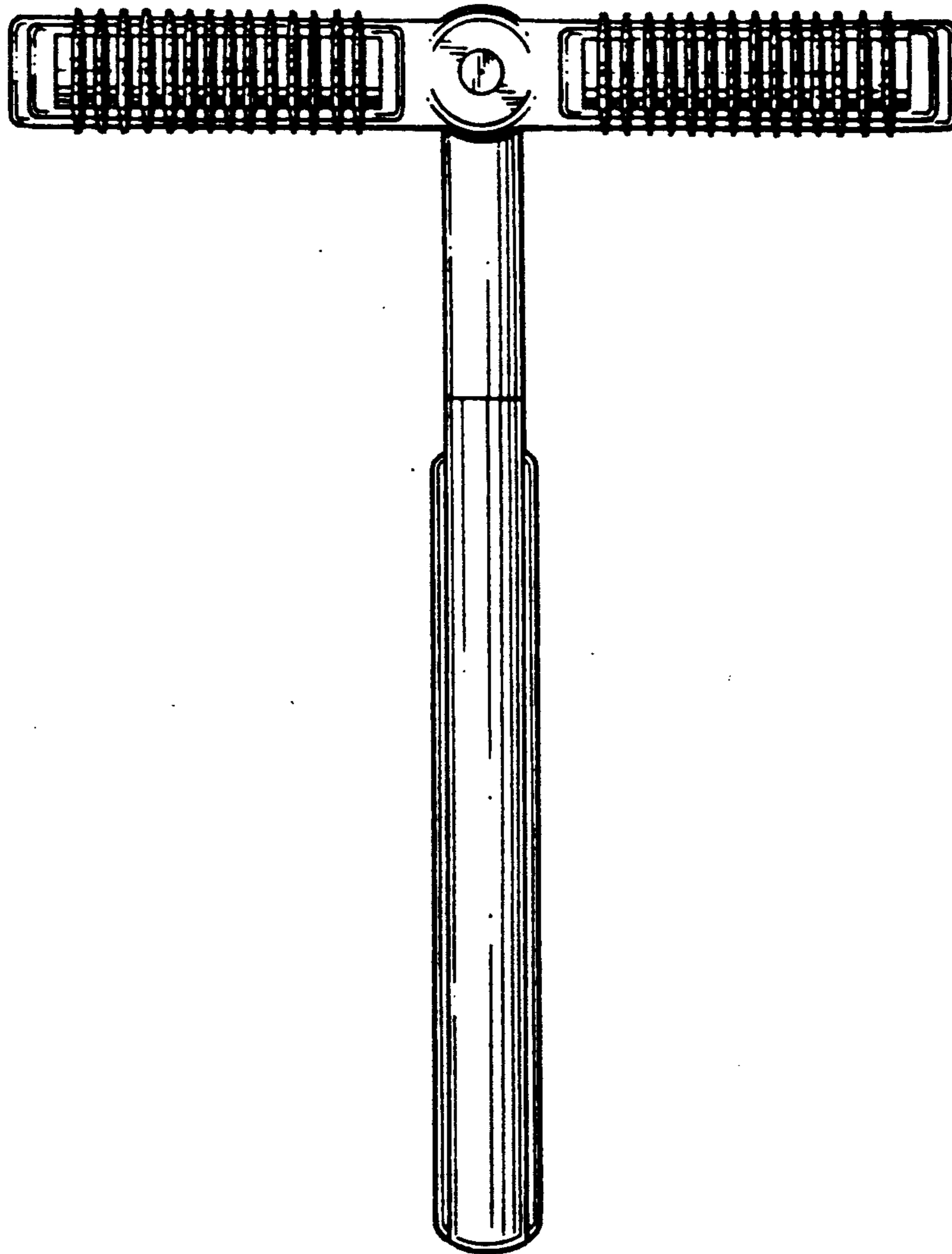
Sep. 14, 1990 [CH] Switzerland DM/017619
 [52] U.S. Cl. D24/211; D24/214
 [58] Field of Search D24/214, 211, 215;
 128/57, 44, 60, 62 R, 67, 24.3

DESCRIPTION

FIG. 1 is a front elevational view of a body roller embodying my new design;
 FIG. 2 is a rear elevational view thereof;
 FIG. 3 is a right side view thereof, the left side being the mirror image thereof;
 FIG. 4 is a top view thereof; and,
 FIG. 5 is a bottom view thereof.

[56] **References Cited**

U.S. PATENT DOCUMENTS
 D. 252,180. 6/1979 Zuber D24/211 X



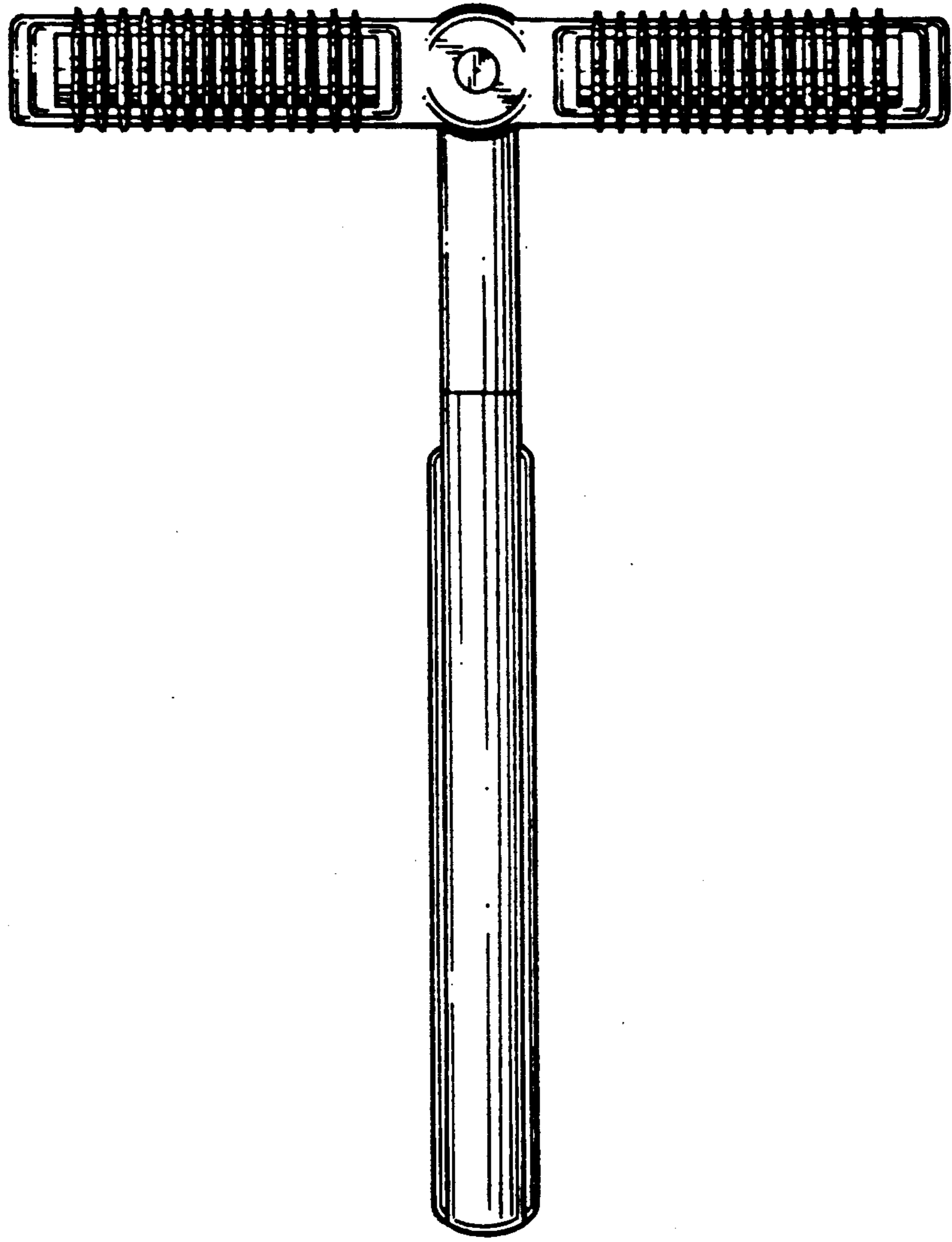


FIG. 1

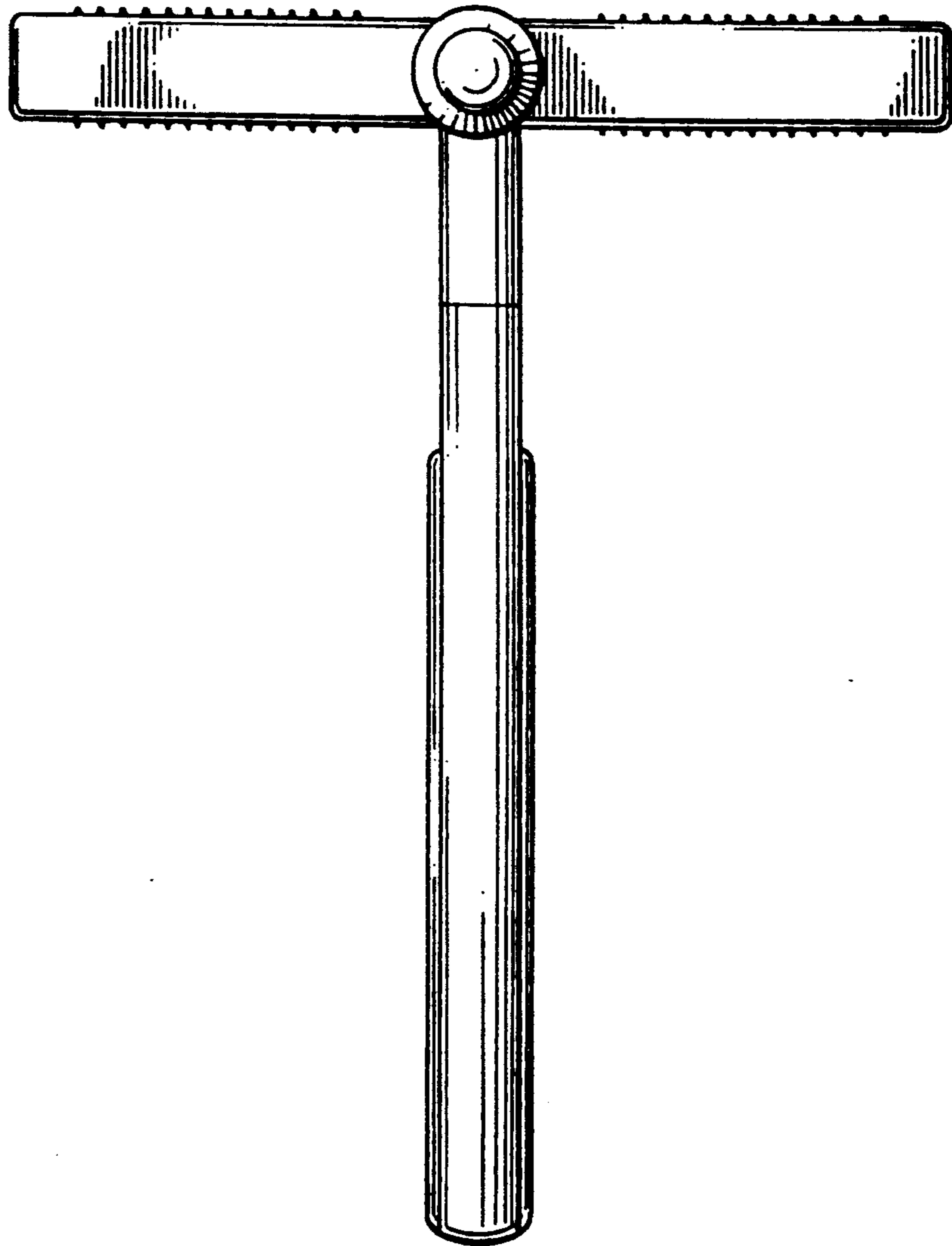


FIG. 2

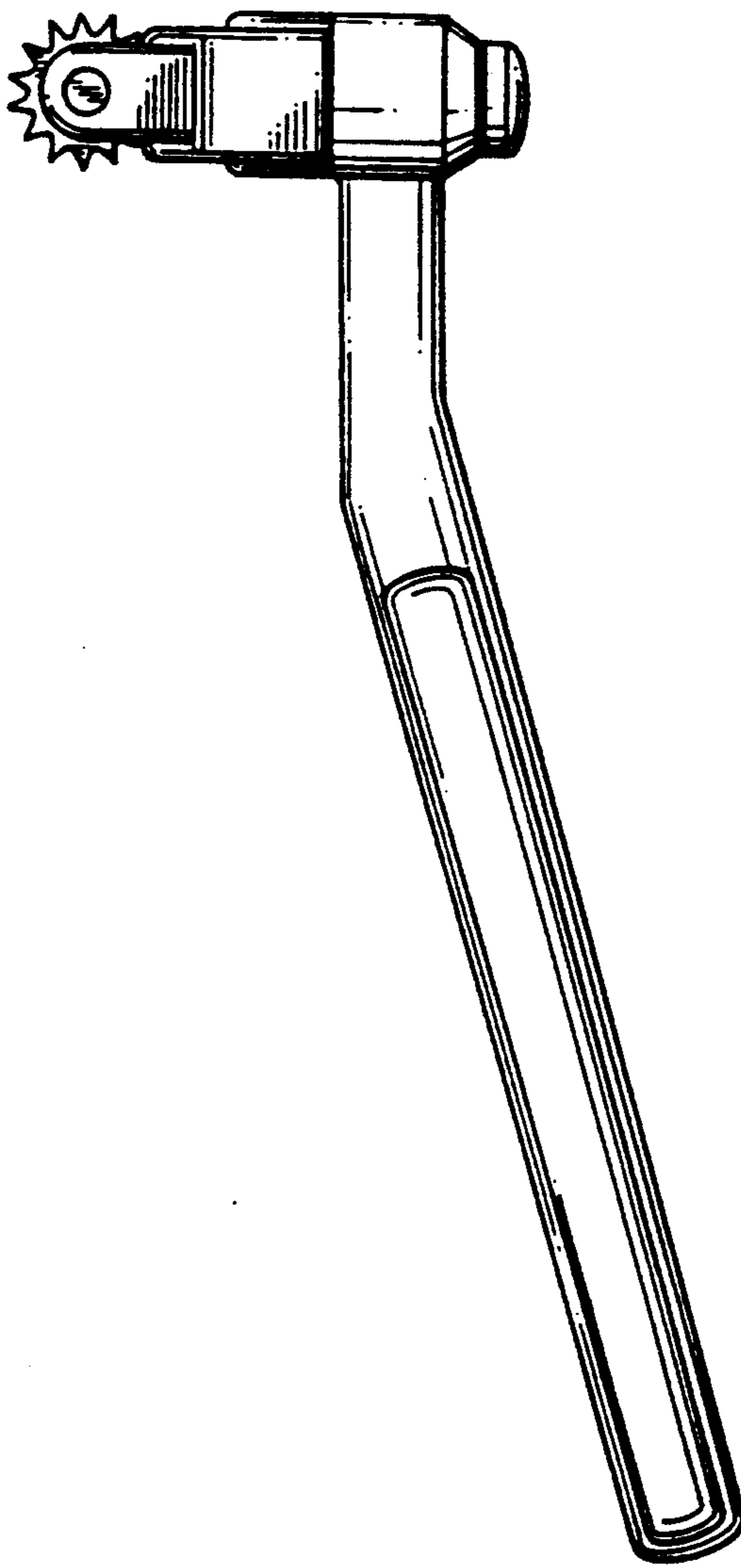


FIG. 3

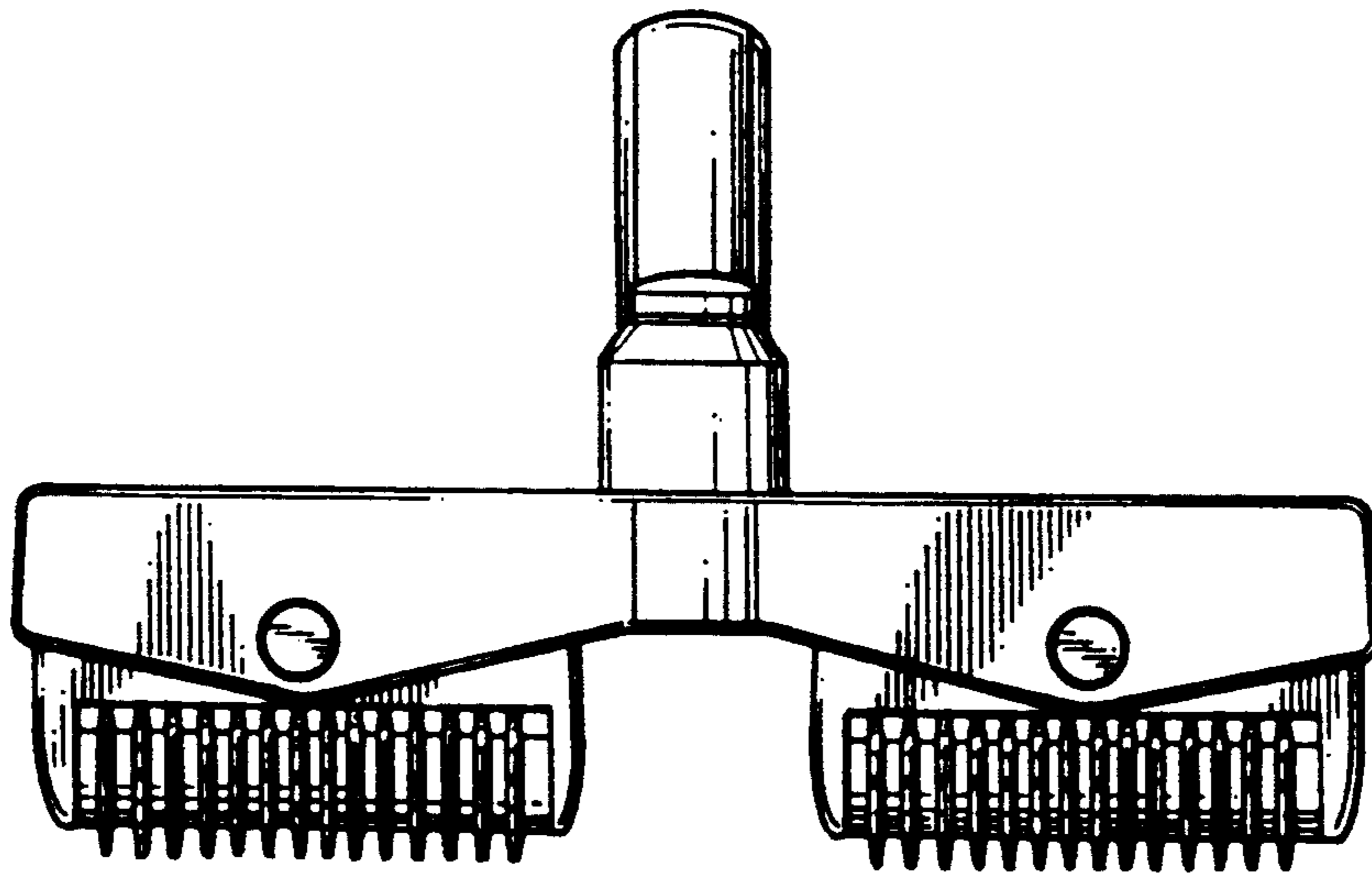


FIG. 4

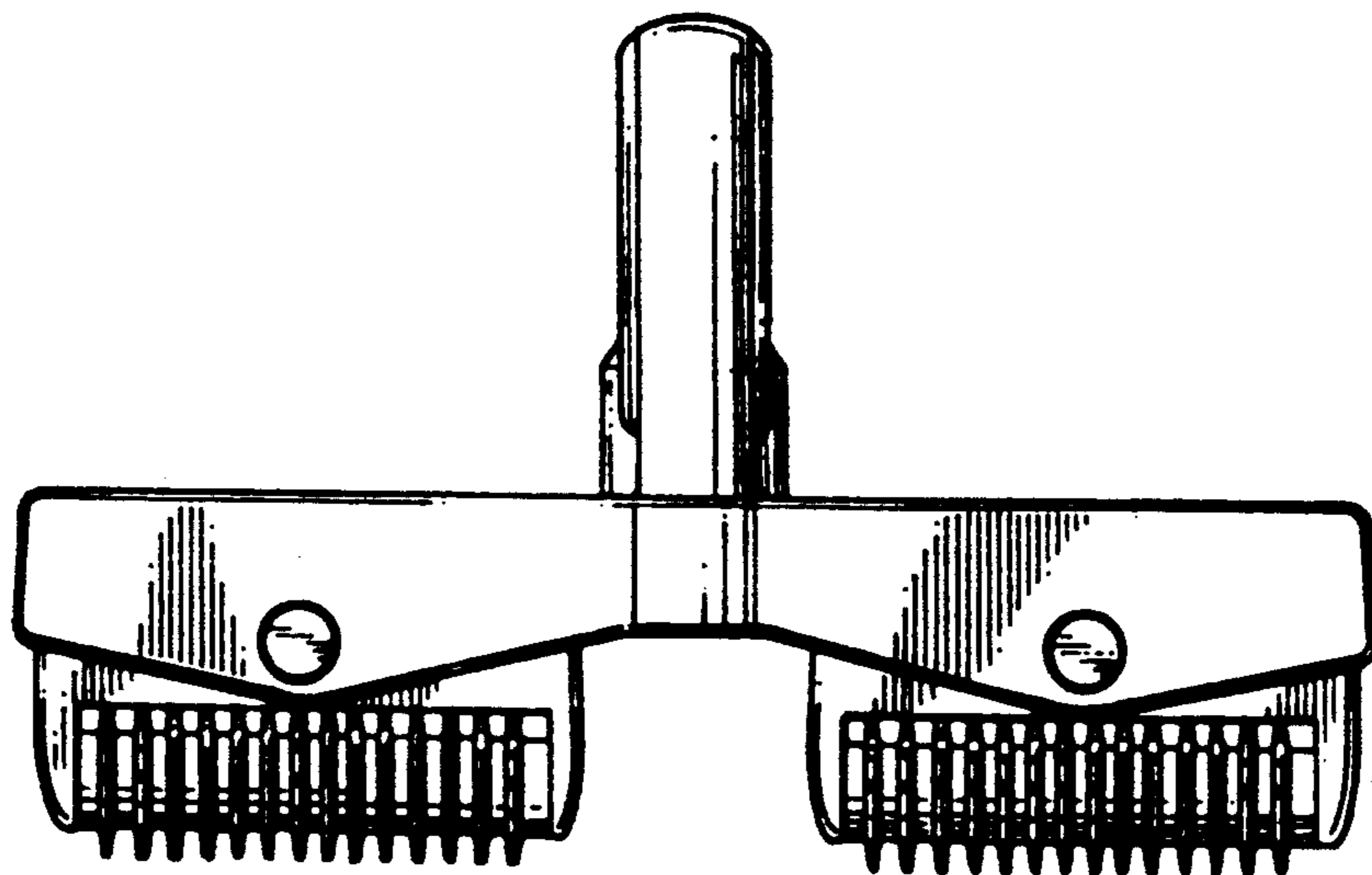


FIG. 5