



US00D341423S

United States Patent [19]

[11] Patent Number: **Des. 341,423**

Bible

[45] Date of Patent: **** Nov. 16, 1993**

[54] **AMBULATORY CARDIAC MONITOR**

4,993,421 2/1991 Thornton 128/670

[76] Inventor: **Chris Bible**, 2325 Melody La., Reno, Nev. 89512

Primary Examiner—Stella Reid
Attorney, Agent, or Firm—Nydegger & Associates

[**] Term: **14 Years**

[57] **CLAIM**

[21] Appl. No.: **657,305**

The ornamental design for an ambulatory cardiac monitor, as shown.

[22] Filed: **Feb. 14, 1991**

[52] U.S. Cl. **D24/167; D24/186**

[58] Field of Search **D24/167, 186, 169; 128/644, 653.1, 659, 661.08, 661.09, 670, 672, 690, 695, 696, 700-715, 804, 903**

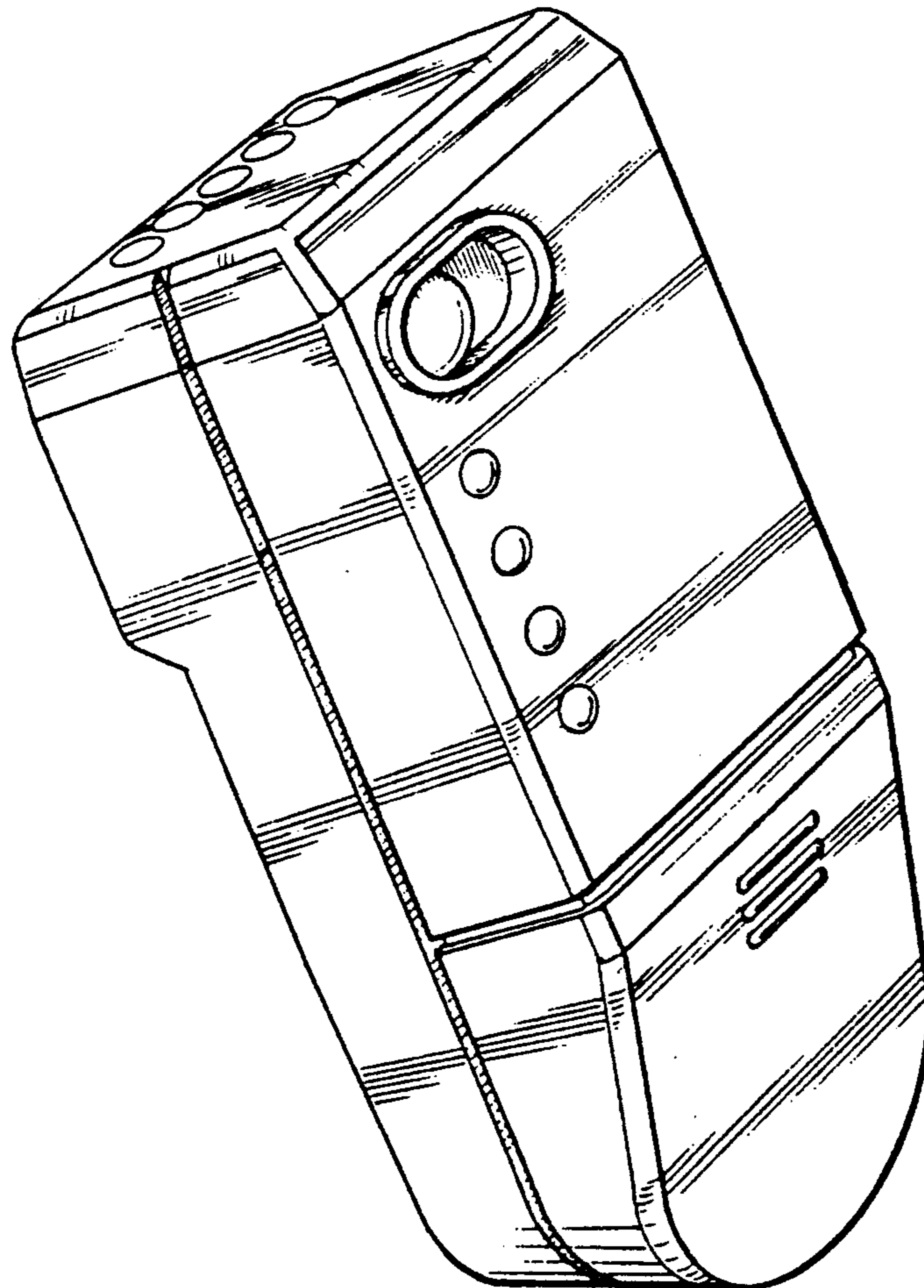
DESCRIPTION

[56] **References Cited**

U.S. PATENT DOCUMENTS

- D. 320,653 10/1991 Jones et al. D24/167
- 4,531,527 7/1985 Reinhold, Jr. et al. 128/696
- 4,583,553 4/1986 Shah et al. 128/704

FIG. 1 is a top, left side perspective view of an ambulatory cardiac monitor, showing my new design; FIG. 2 is a top plan view thereof; FIG. 3 is a front elevational view thereof; FIG. 4 is a right side elevational view thereof; FIG. 5 is a left side elevational view thereof; and, FIG. 6 is a bottom plan view thereof. The rear of the article is substantially plain and unornamented.



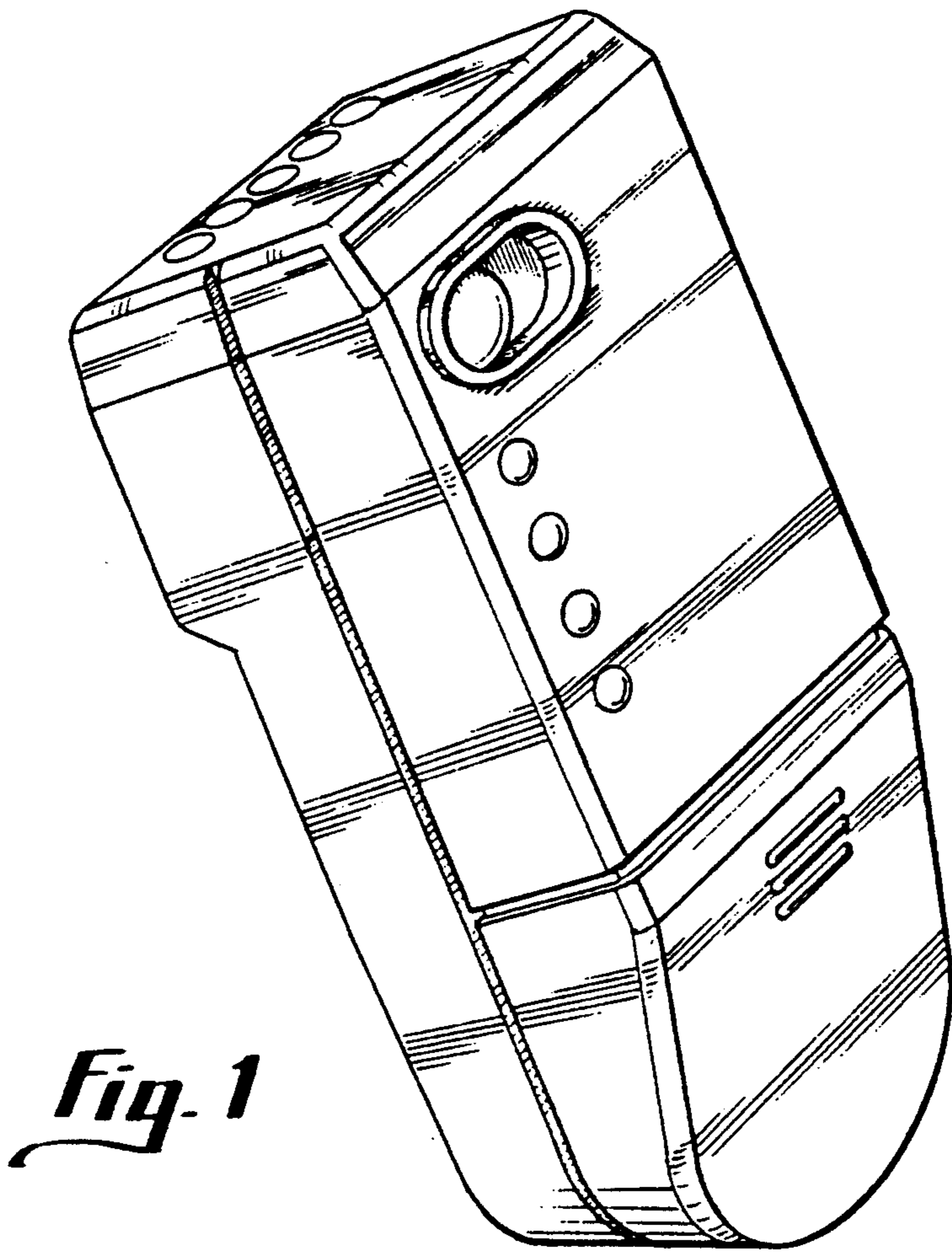


Fig. 1

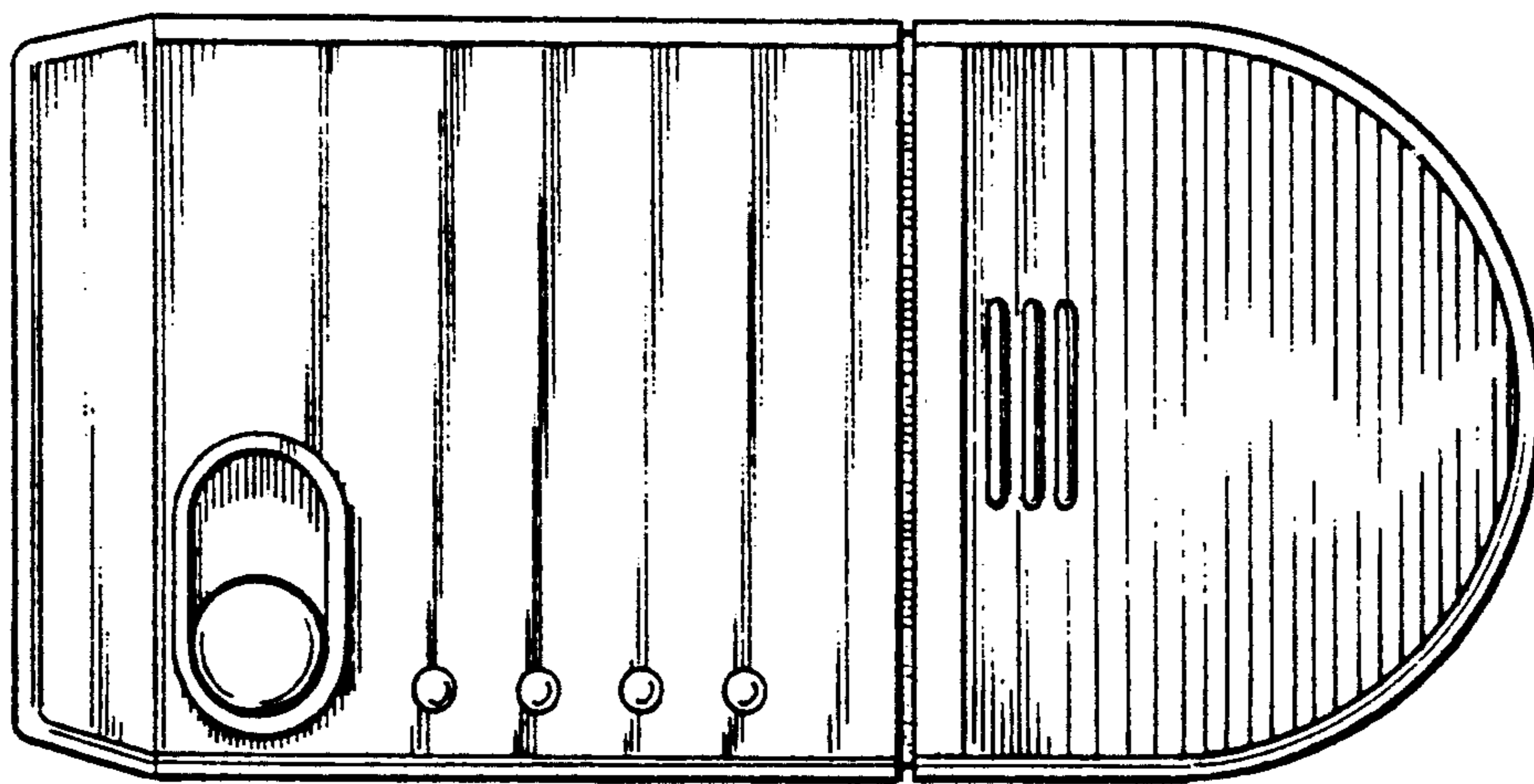


Fig. 2

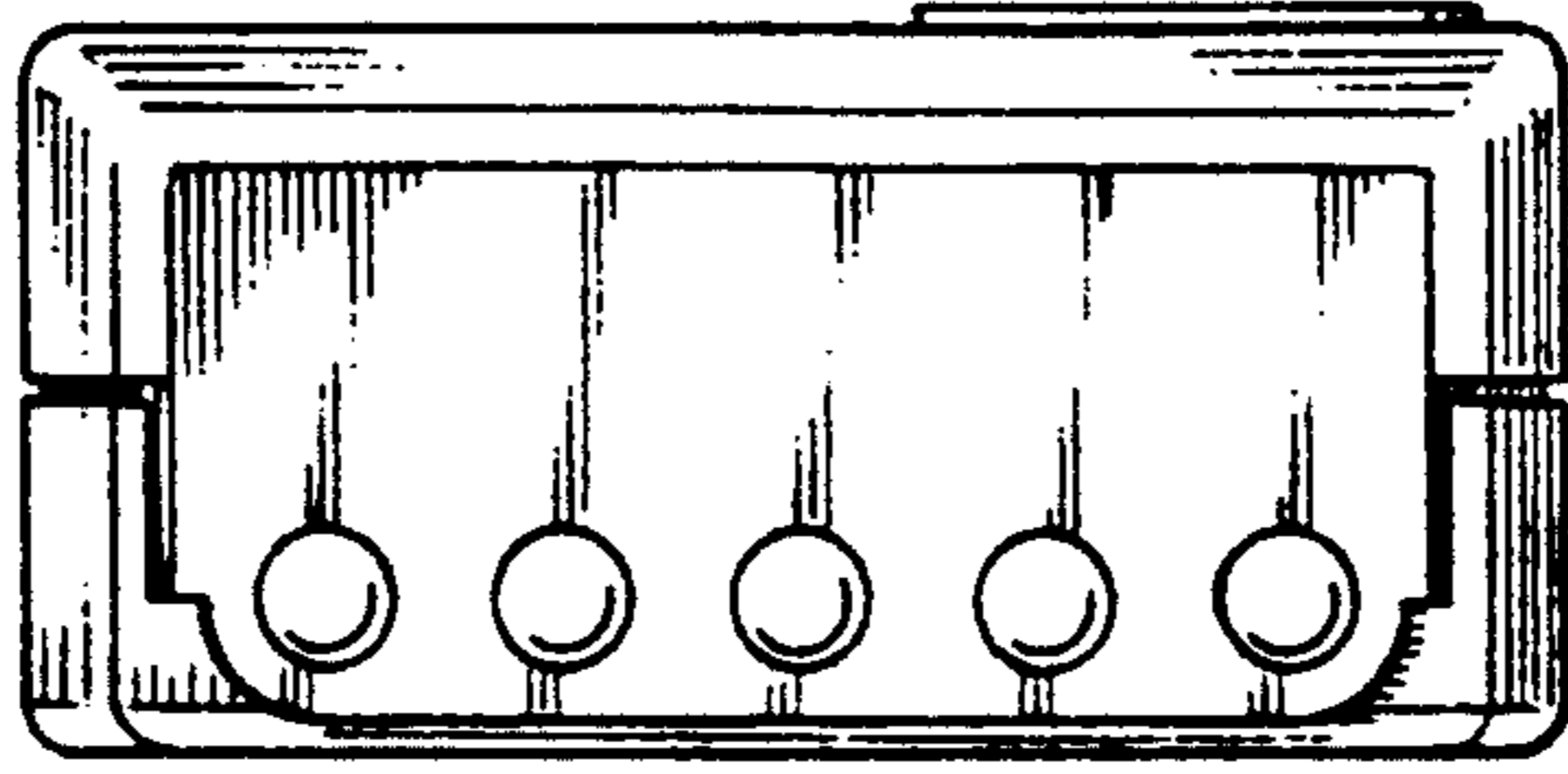


Fig. 3

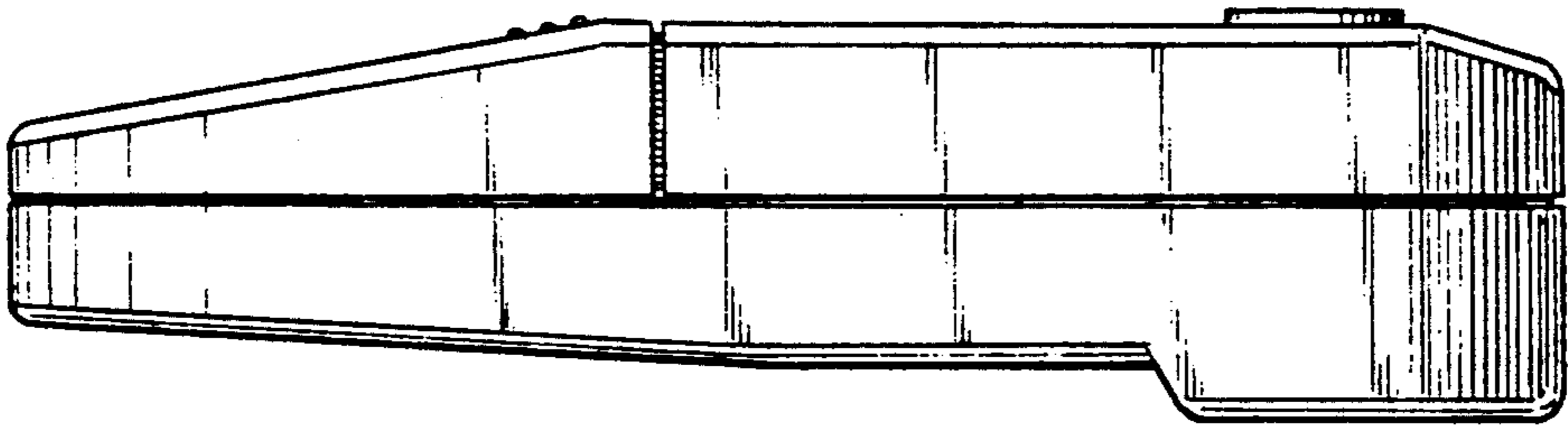


Fig. 4

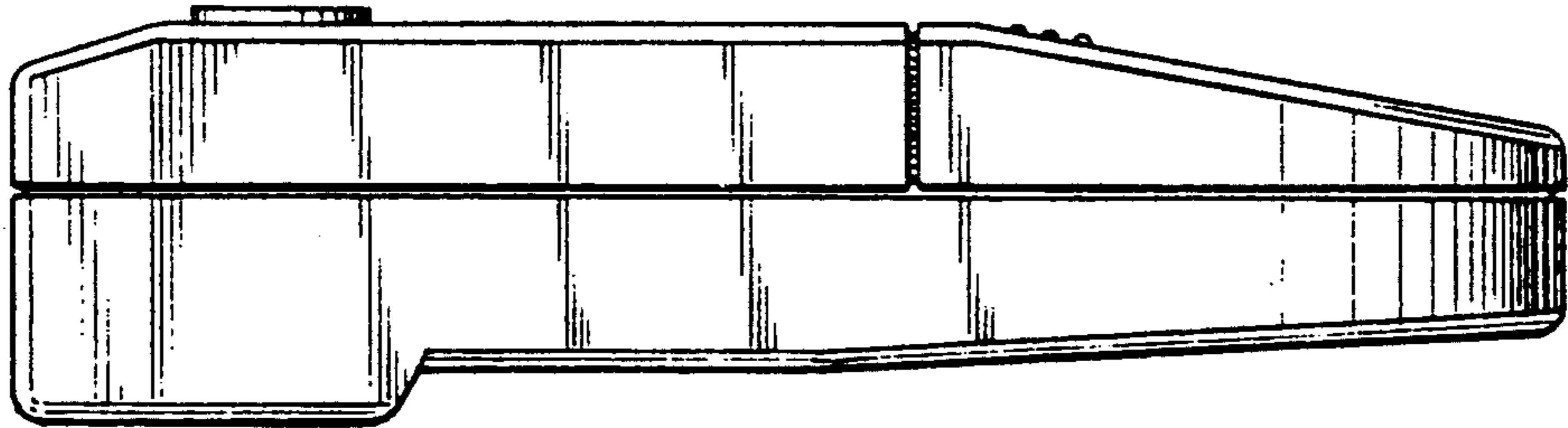


Fig. 5

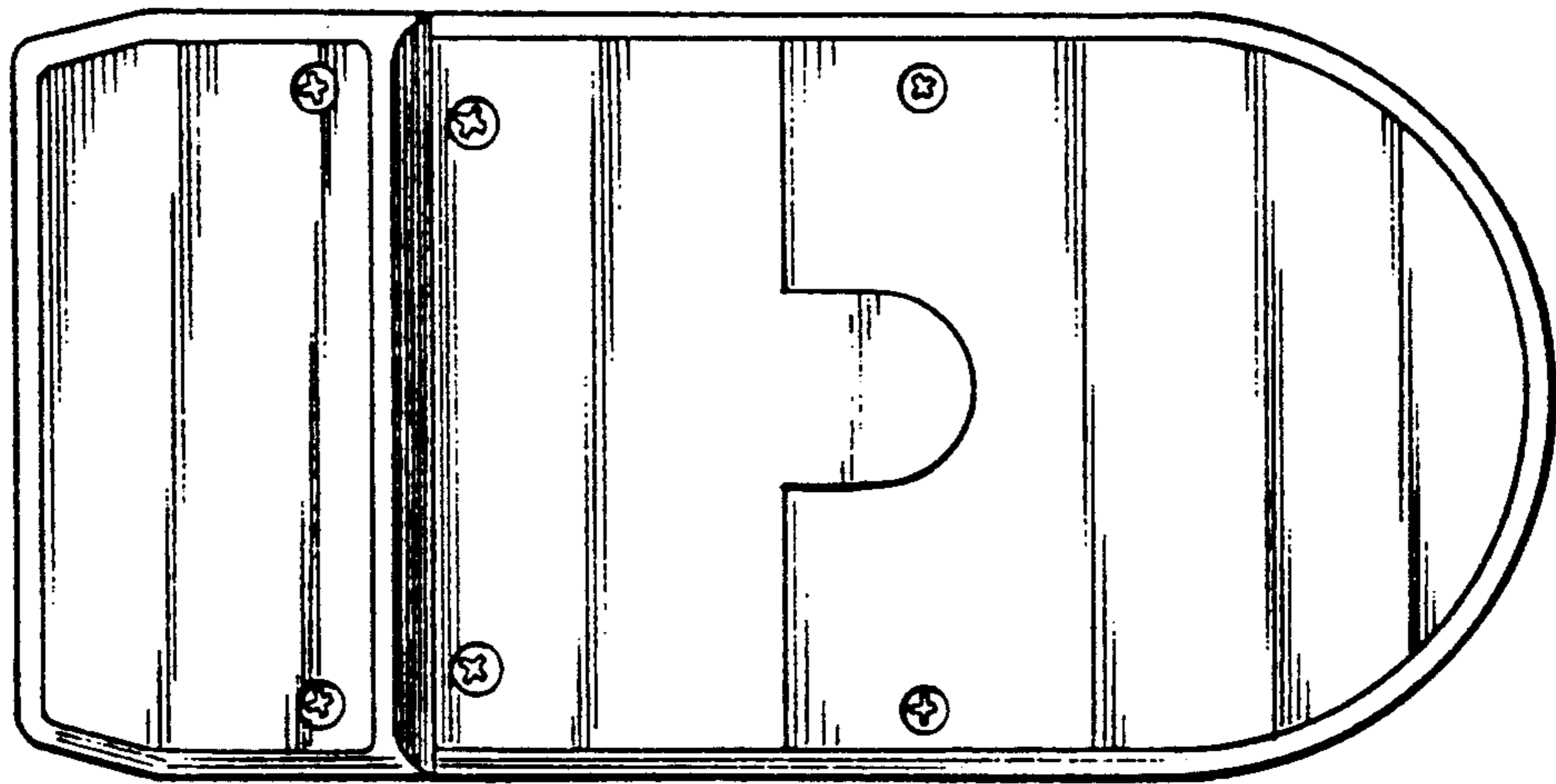


Fig. 6