



US00D341421S

United States Patent [19]

[11] Patent Number: Des. 341,421

Jones

[45] Date of Patent: ** Nov. 16, 1993

[54] COMBINED URINE SPECIMEN BOTTLE AND CAP

D. 328,492	8/1992	Mathis	D24/121
3,625,654	12/1971	Dayne	D24/122 X
3,711,871	1/1973	Sherin	128/760 X
3,777,739	12/1973	Raitto	128/760
4,331,162	5/1982	Kuntz et al.	128/761

[76] Inventor: R. Shane Jones, 1150 Sigman Rd. NE., Conyers, Ga. 30207

[**] Term: 14 Years

Primary Examiner—A. Hugo Word
Assistant Examiner—Ian Simmons
Attorney, Agent, or Firm—Timmons & Kelly

[21] Appl. No.: 666,686

[57] CLAIM

[22] Filed: Mar. 11, 1991

[52] U.S. Cl. D24/122; D24/121

The ornamental design for a combined urine specimen bottle and cap, as shown.

[58] Field of Search D24/121, 122, 127; 128/760, 761, 762, 763; 604/321, 331, 346, 347, 349

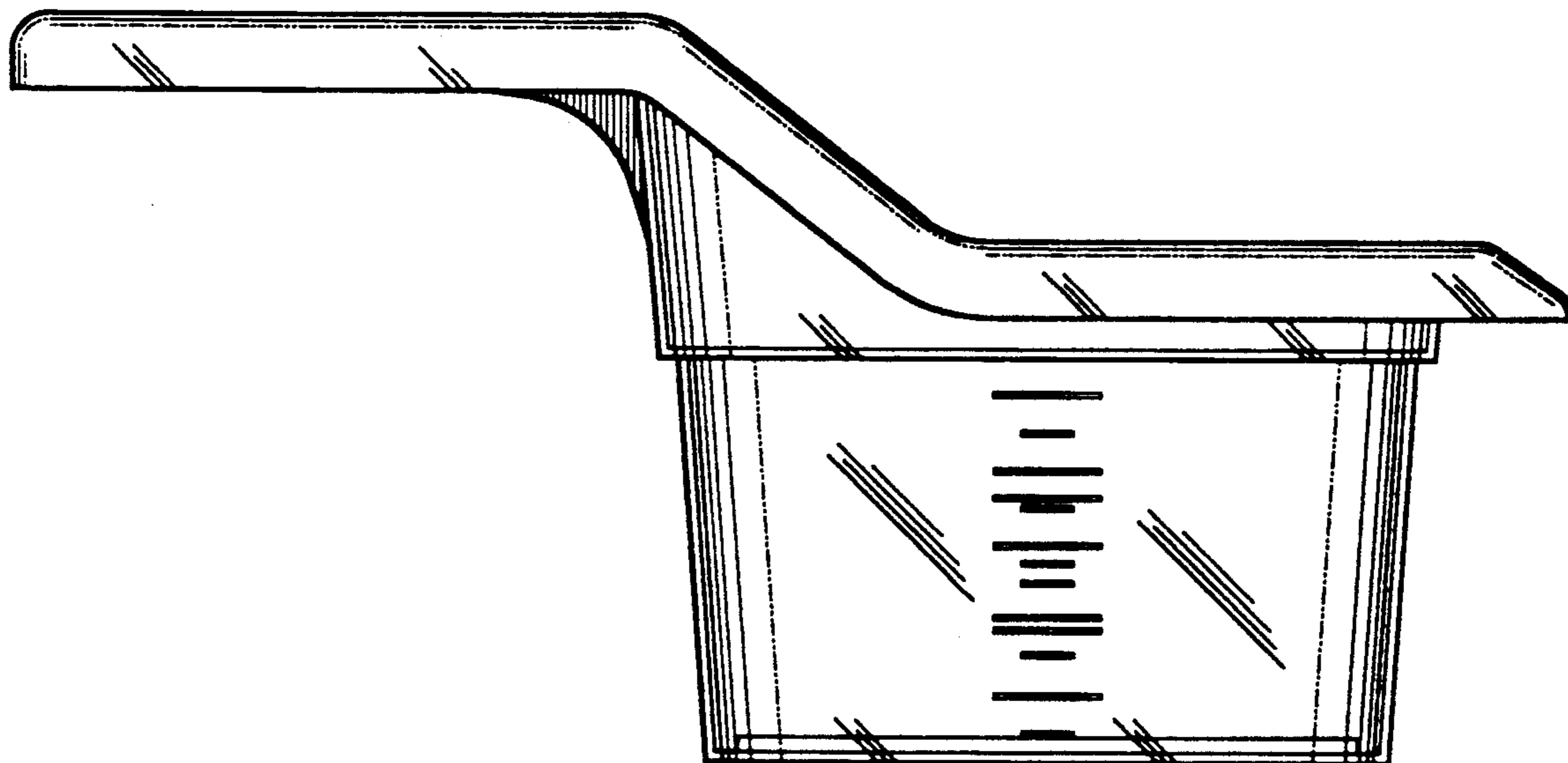
DESCRIPTION

[56] References Cited

U.S. PATENT DOCUMENTS

D. 195,930	8/1963	Hill et al.	D24/122
D. 265,586	7/1982	Sloan	D24/122
D. 269,378	6/1983	Work	D24/122
D. 274,469	6/1984	Huang et al.	D24/122
D. 279,605	7/1985	Blankenship	D24/122
D. 290,880	7/1987	Blanton	D24/122
D. 297,462	8/1988	Meunchen	D24/122
D. 303,572	9/1989	Parrish	D24/122
D. 303,573	9/1989	Parrish	D24/122

FIG. 1 is a front elevation of the combined urine specimen bottle and cap of the invention;
FIG. 2 is a rear elevation of the combined urine specimen bottle and cap of the invention;
FIG. 3 is a right side elevation of the combined urine specimen bottle and cap of the invention;
FIG. 4 is a left side elevation of the combined urine specimen bottle and cap of the invention;
FIG. 5 is a top plan view of the combined urine specimen bottle and cap of the invention; and,
FIG. 6 is a bottom plan view of the combined urine specimen bottle and cap of the invention.



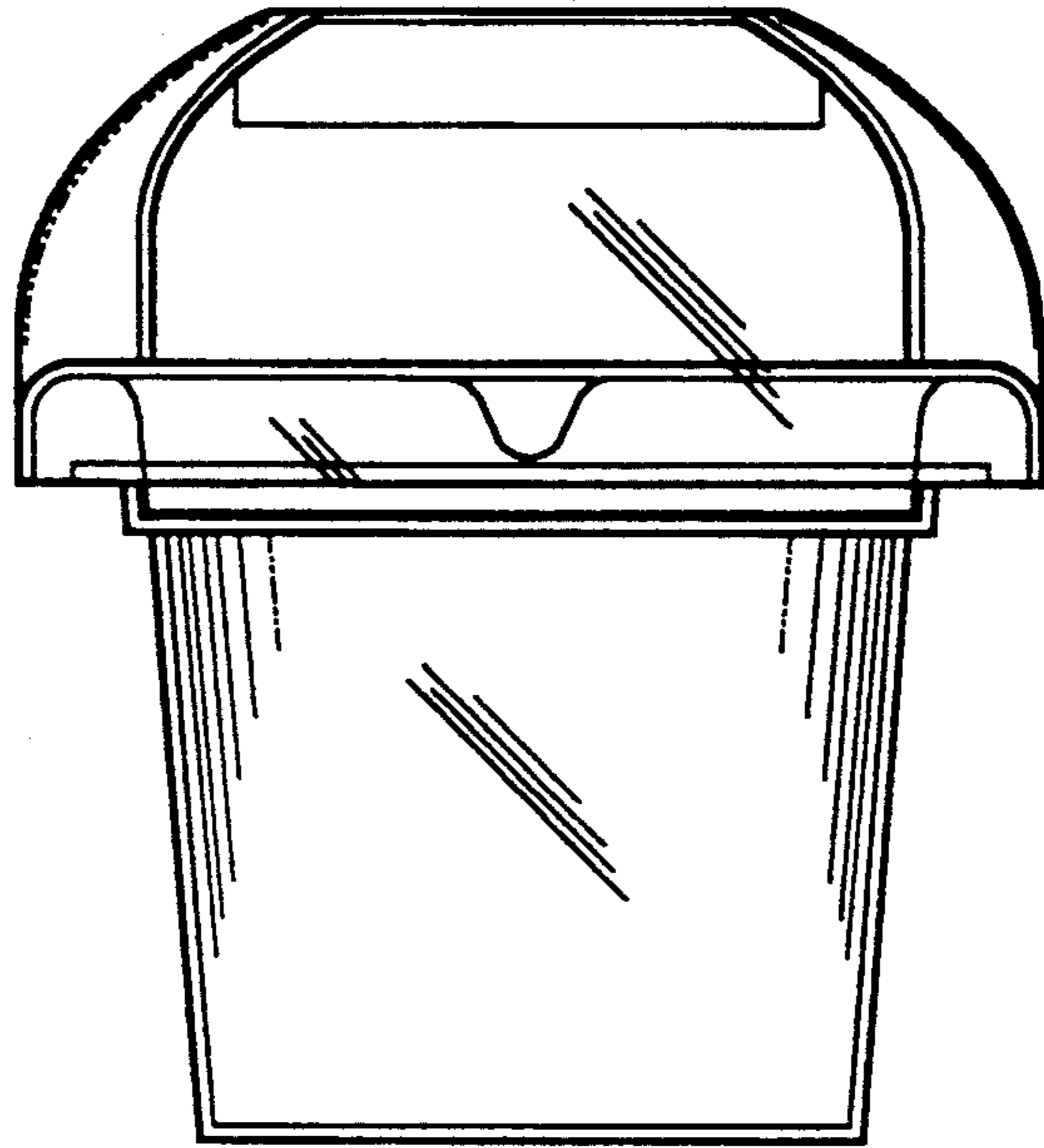


Fig.1

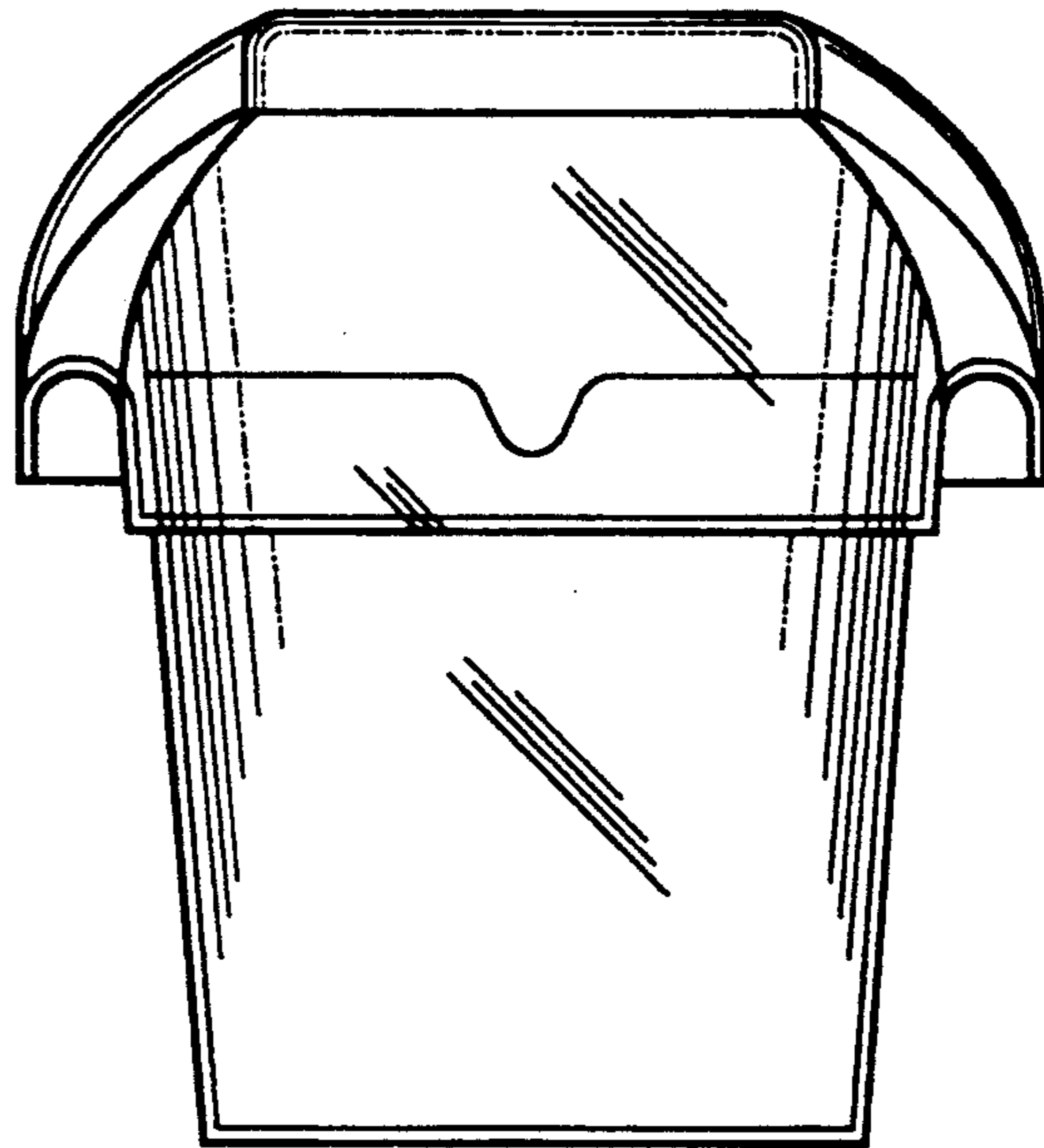
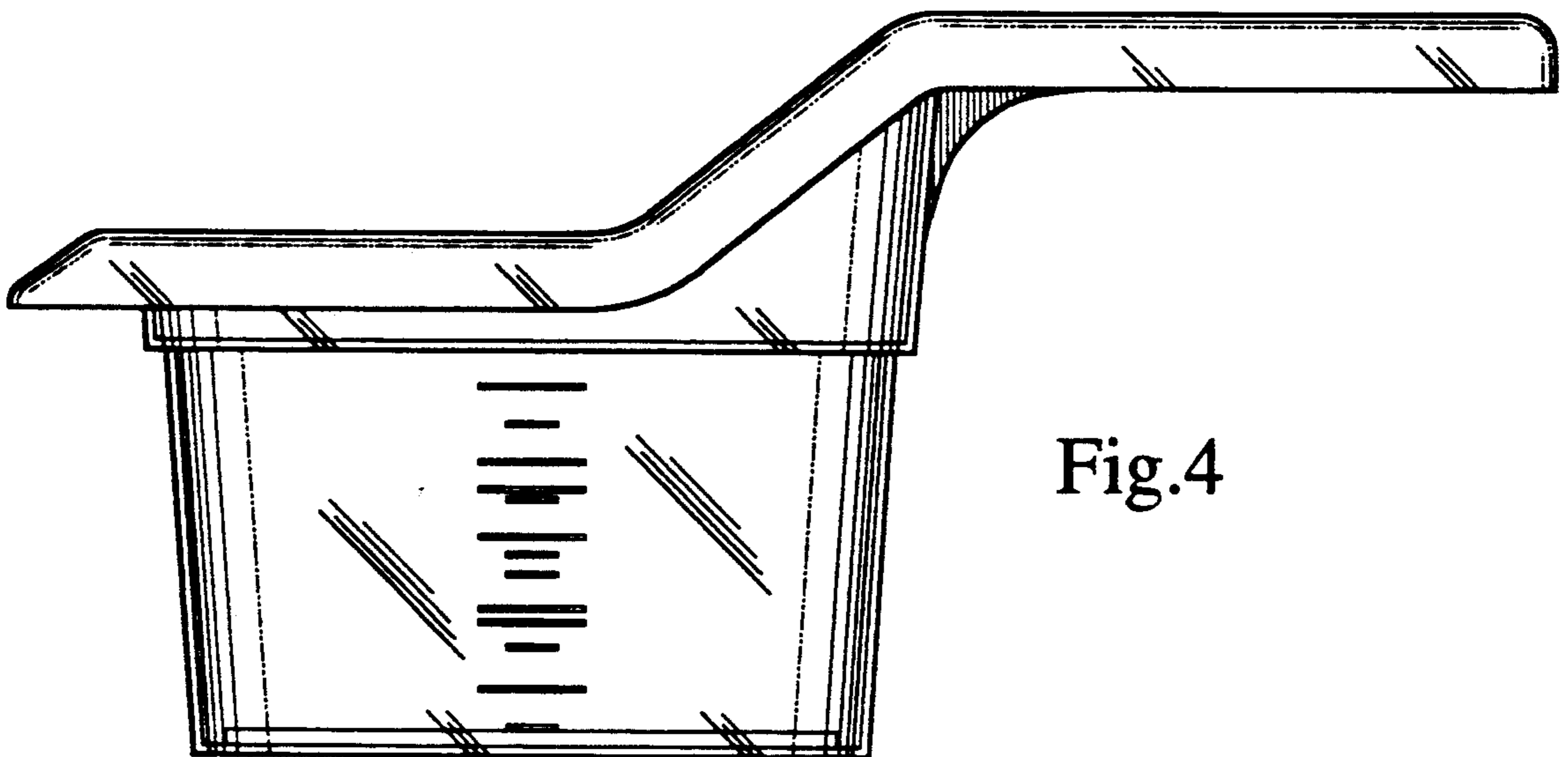
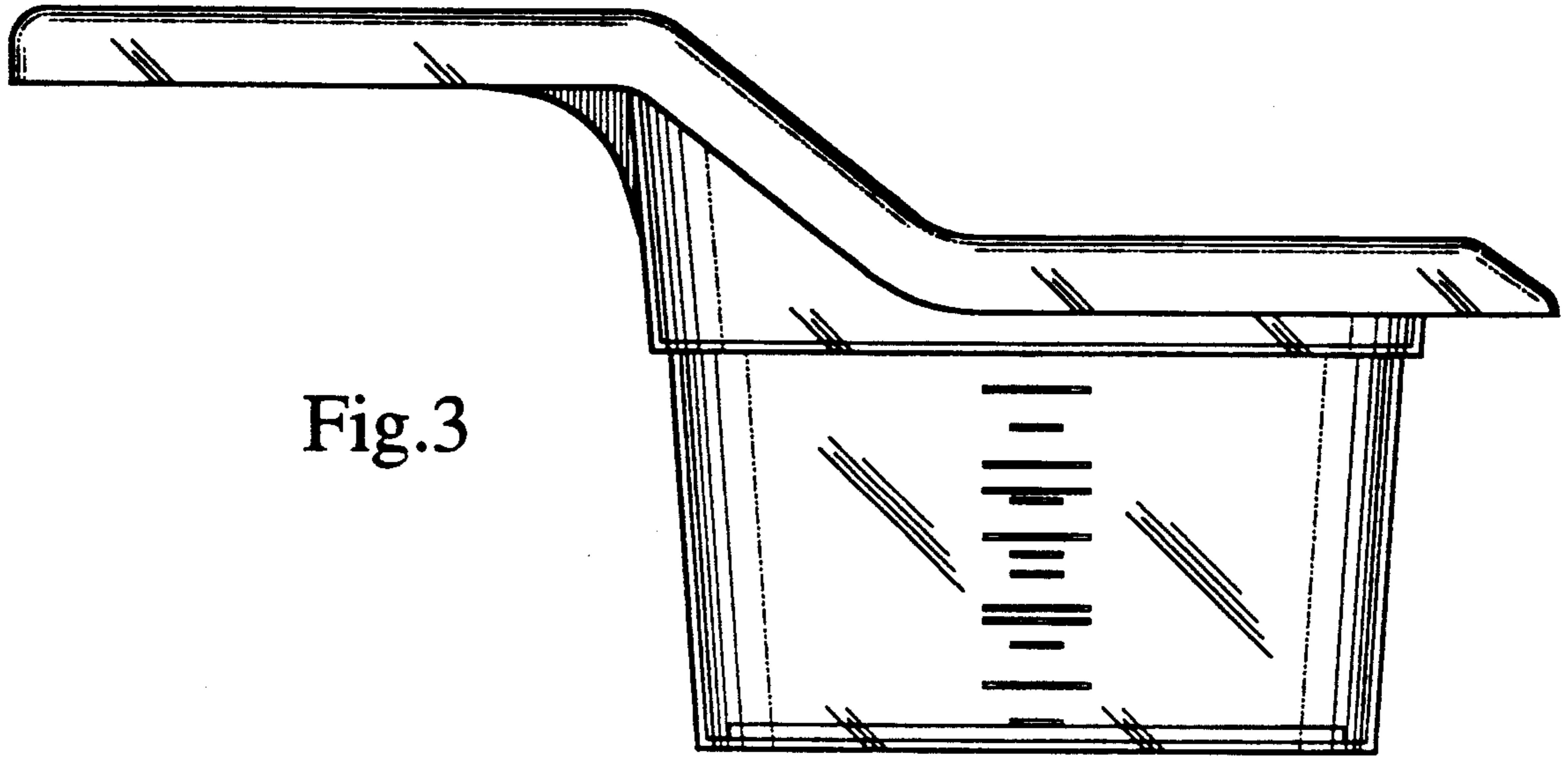


Fig.2



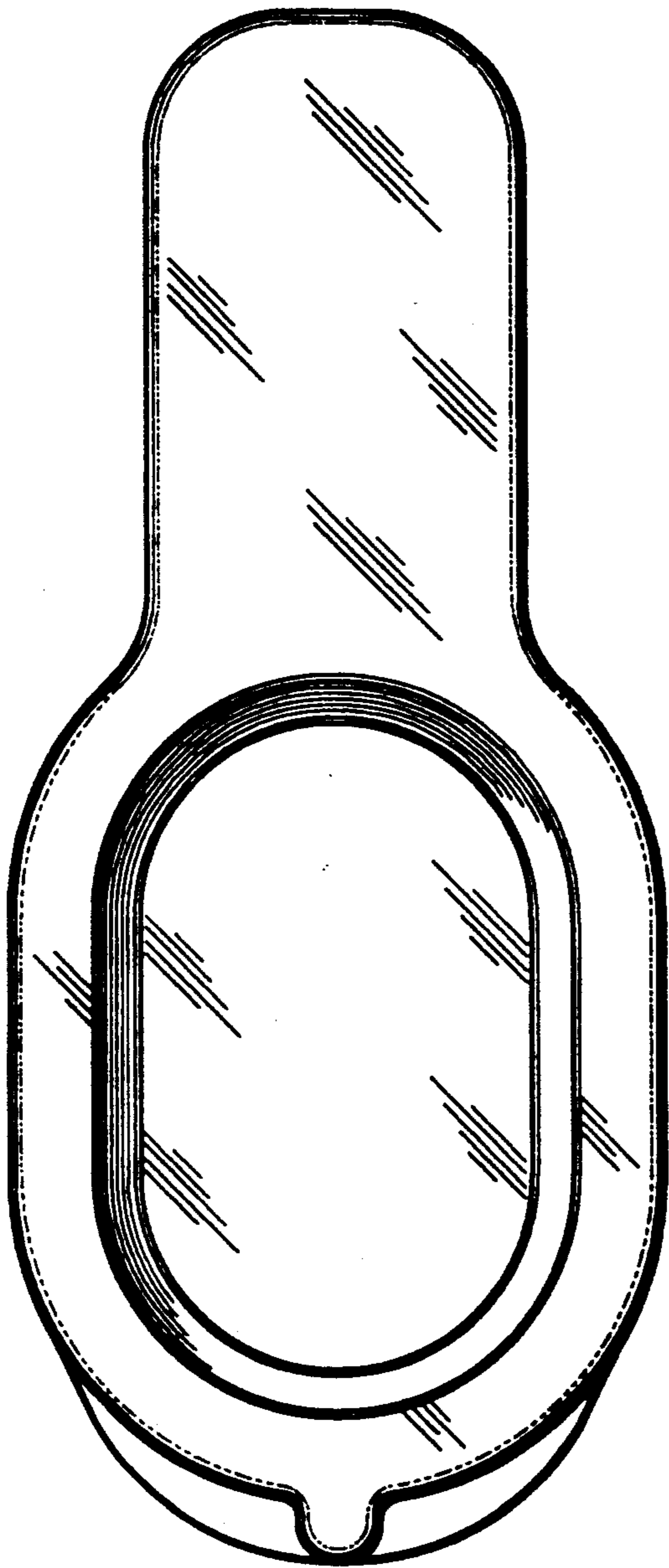


Fig.5

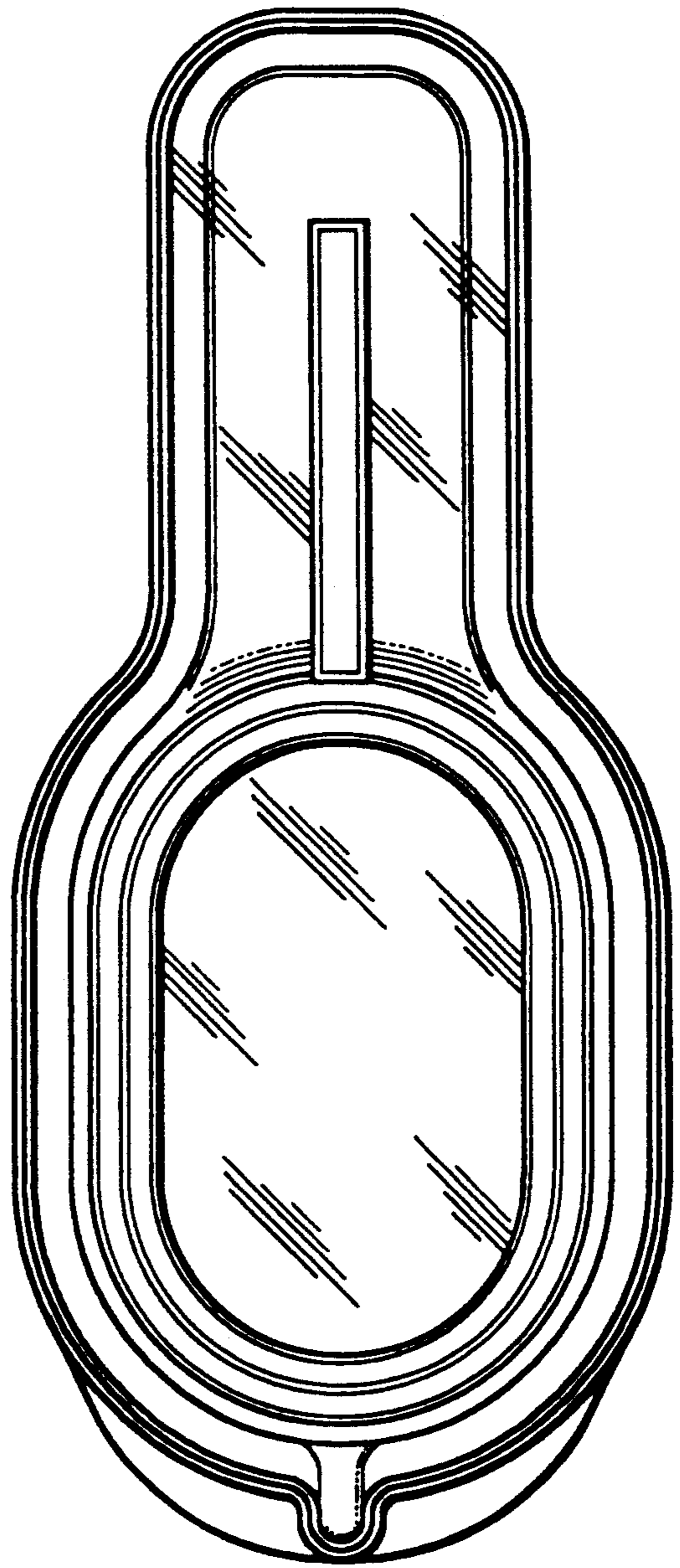


Fig.6