



US00D341420S

# United States Patent [19]

[11] Patent Number: **Des. 341,420**

Conn

[45] Date of Patent: **\*\* Nov. 16, 1993**

[54] **COMBINED UNIVERSAL SPIKE AND DRIP CHAMBER**

[75] Inventor: **Kirk O. Conn, Mahtomedi, Minn.**

[73] Assignee: **IVAC Corporation, San Diego, Calif.**

[\*\*] Term: **14 Years**

[21] Appl. No.: **379,902**

[22] Filed: **Jul. 14, 1989**

[52] U.S. Cl. .... **D24/112; D24/129**

[58] Field of Search ..... **D24/129, 128, 112; 604/127, 126, 256, 254, 411, 405; 137/399**

[56] **References Cited**

**U.S. PATENT DOCUMENTS**

D. 257,886	1/1981	Kersten .....	D24/112
D. 291,490	8/1987	Raines .....	D24/112
3,949,745	4/1976	Howell .....	604/127 X
4,055,176	10/1977	Lundquist .....	604/127
4,364,387	12/1982	Larkin .....	604/411
4,533,347	8/1985	Deckert .....	D24/129 X
4,718,896	1/1988	Arndt et al. ....	D24/129 X
4,857,068	8/1989	Kahn .....	604/126 X

*Primary Examiner*—Stella Reid

*Attorney, Agent, or Firm*—Fulwider, Patton, Lee & Utecht

[57] **CLAIM**

The ornamental design for a combined universal spike and drip chamber, as shown and described.

**DESCRIPTION**

FIG. 1 is a right front perspective view of a combined universal spike and drip chamber, showing my new design, with the in vent closed position;

FIG. 2 is a front elevational view thereof;

FIG. 3 is a right side elevational view thereof, the left side elevational view being identical;

FIG. 4 is a rear elevational view thereof;

FIG. 5 is a top plan view thereof;

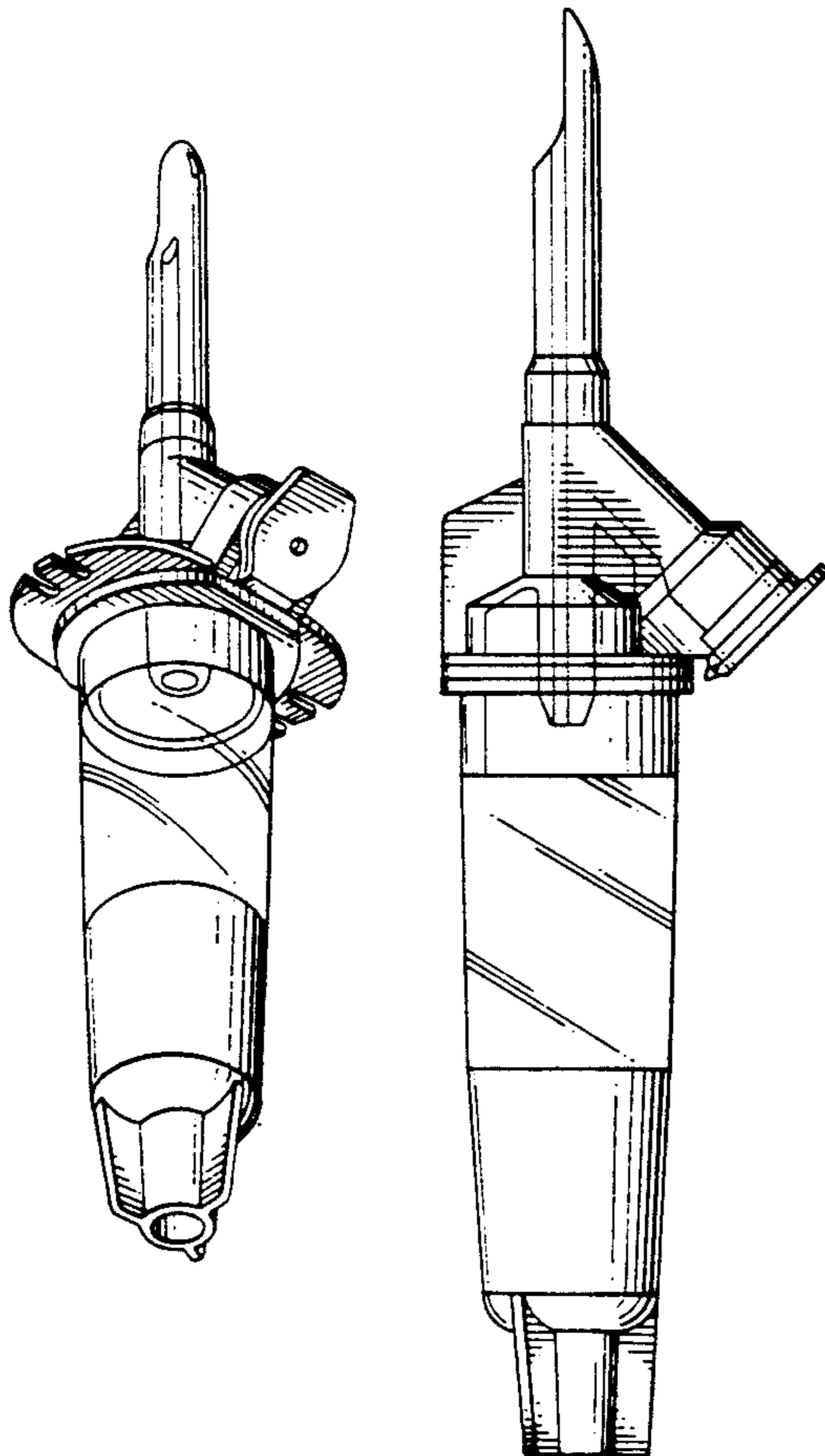
FIG. 6 is a bottom plan view thereof;

FIG. 7 is another right front perspective view thereof, showing the vent in an open position;

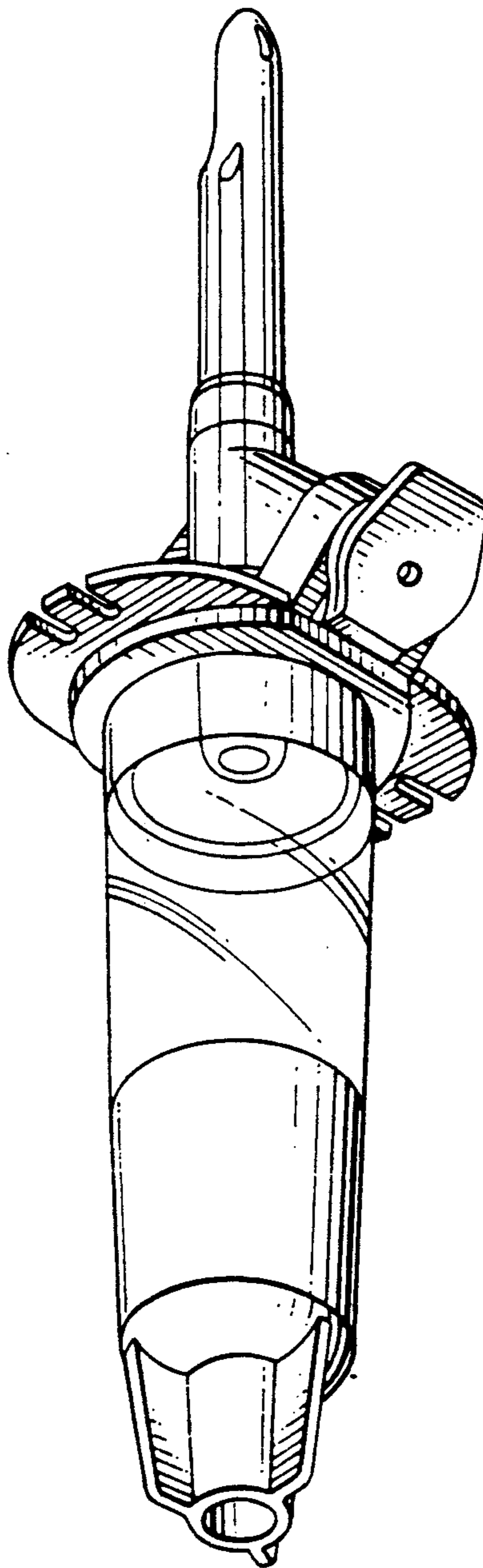
FIG. 8 is a top plan view of a first alternate embodiment thereof, with the only difference residing in the flange portion, and all other sides being identical to that shown in FIGS. 1-7;

FIG. 9 is a top plan view of a second alternate embodiment thereof, with the only difference residing in the flange portion, and all other sides being identical to that shown in FIGS. 1-7; and,

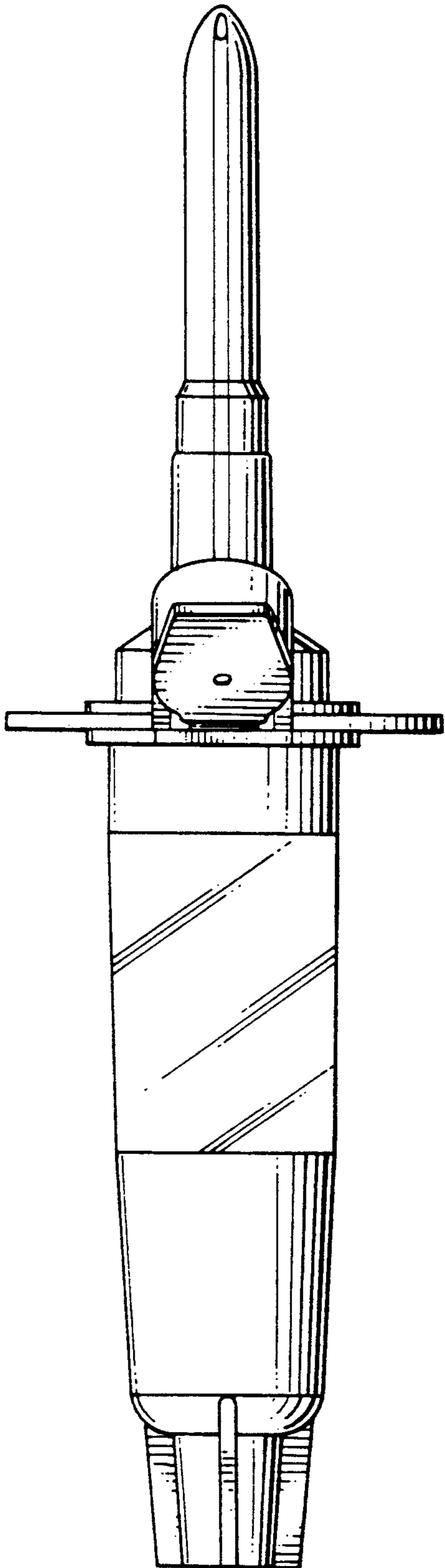
FIG. 10 is a top plan view of a third alternate embodiment thereof, with the only difference residing in the flange portion, and all other sides being identical to that shown in FIGS. 1-7.



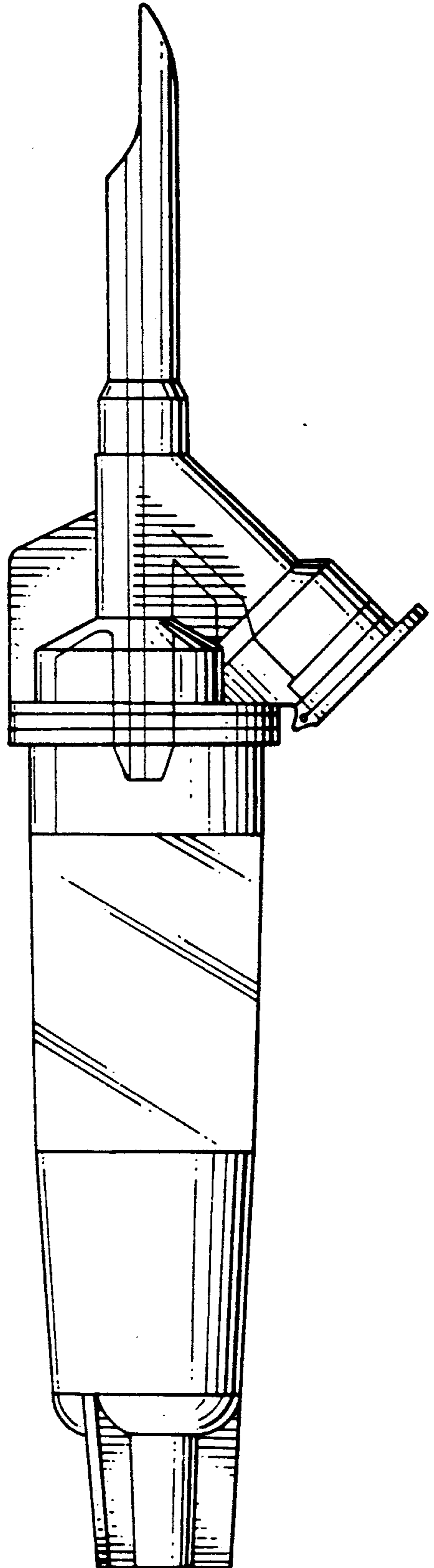
*FIG. 1*



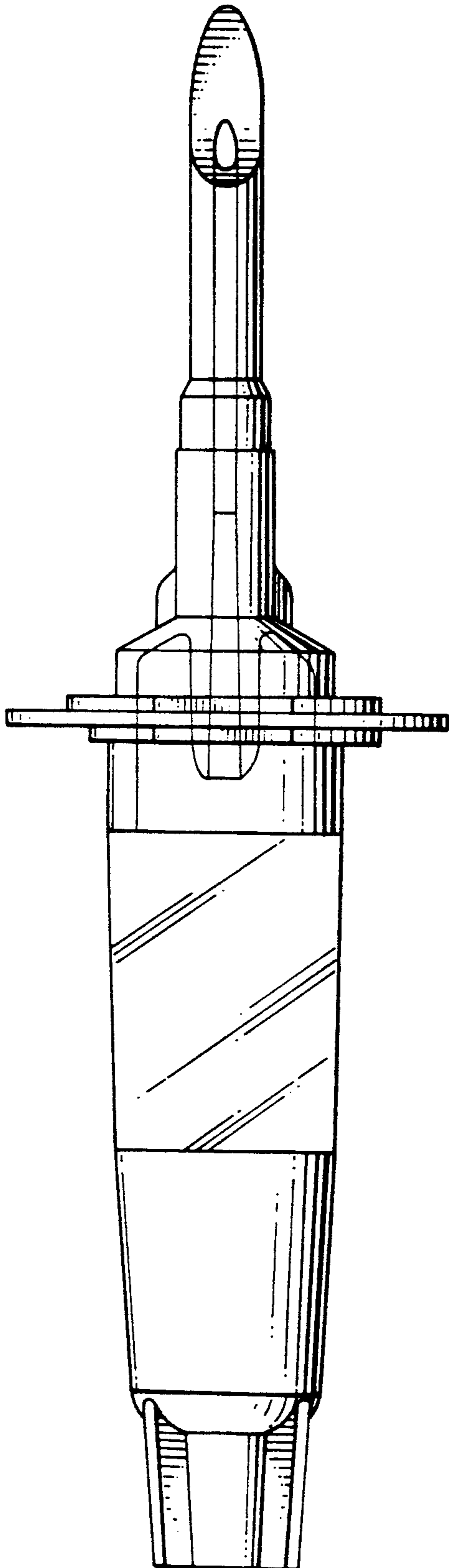
*FIG. 2*



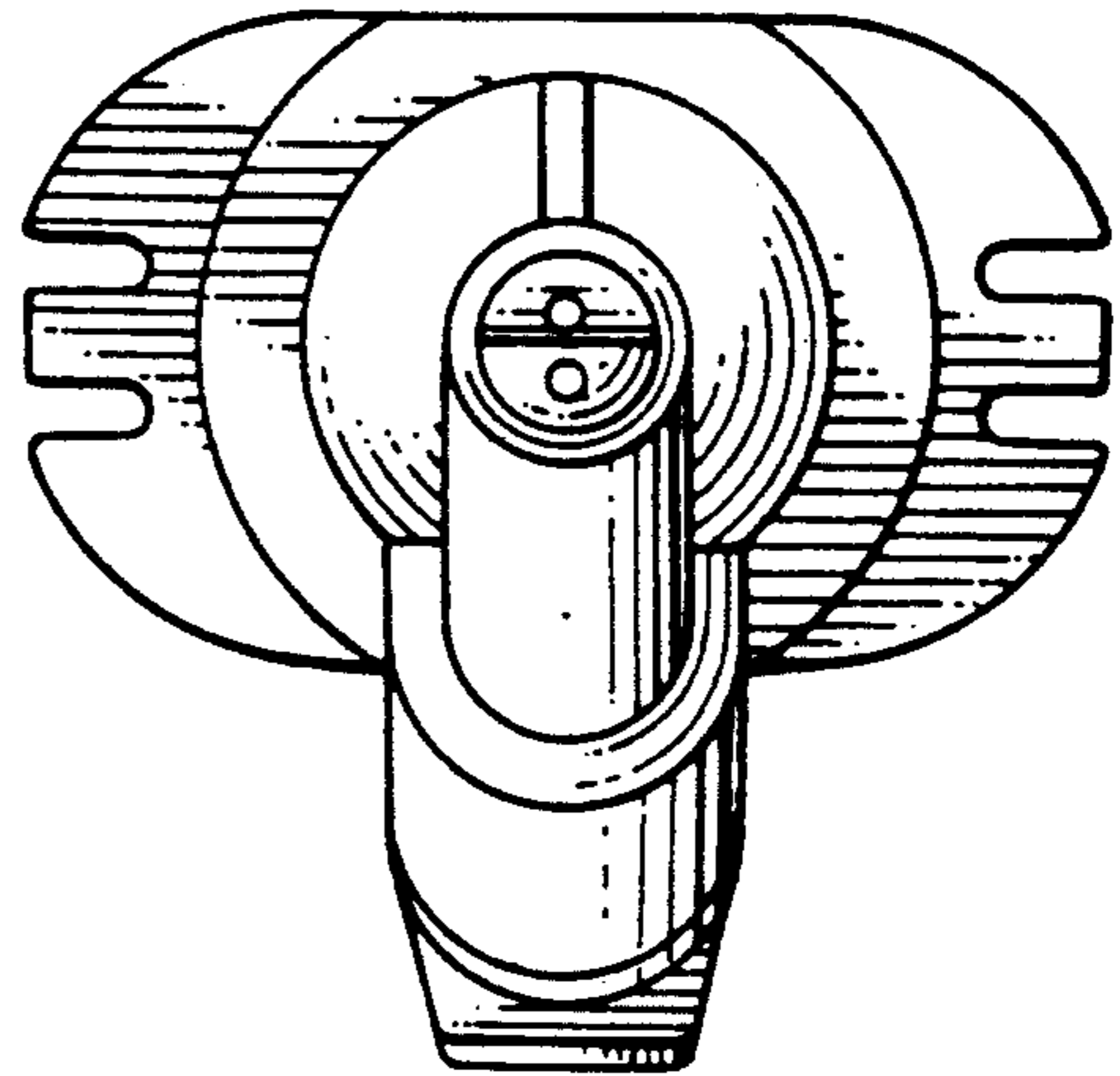
*FIG. 3*



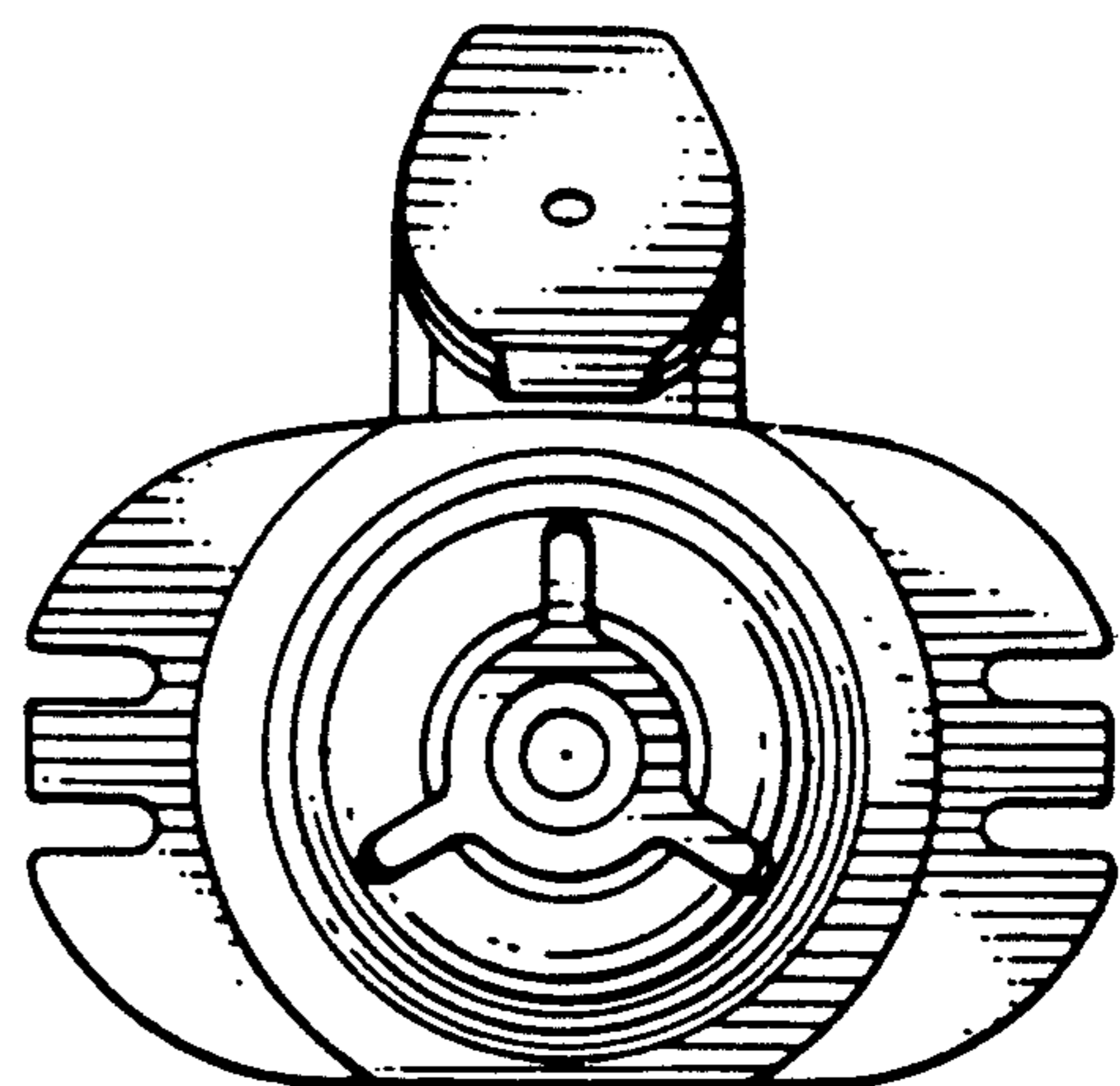
*Fig. 4*



*Fig. 5*

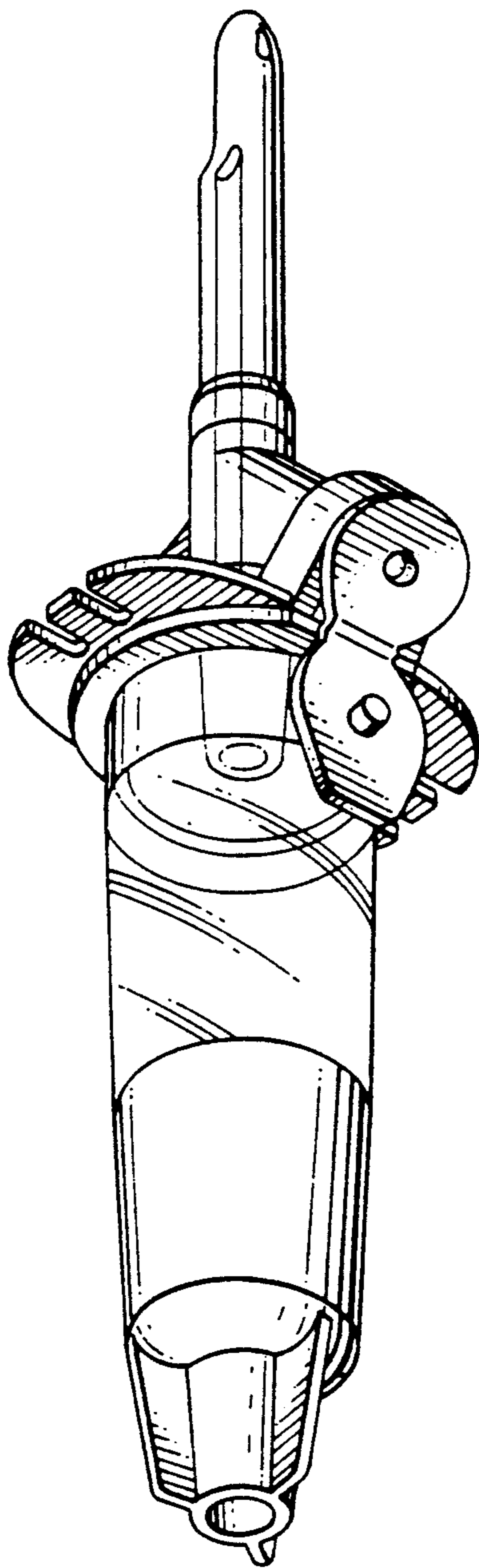


*Fig. 6*

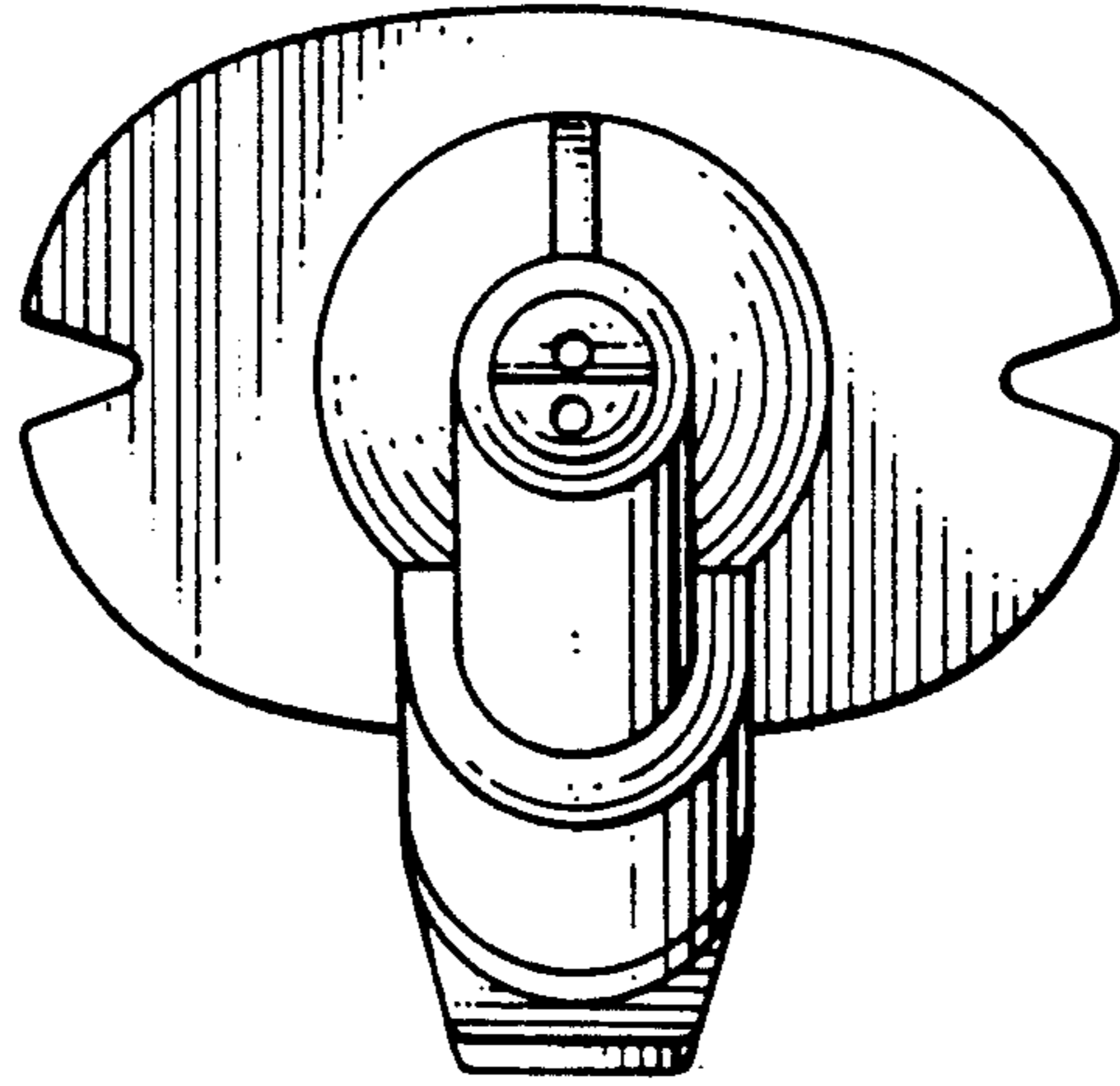




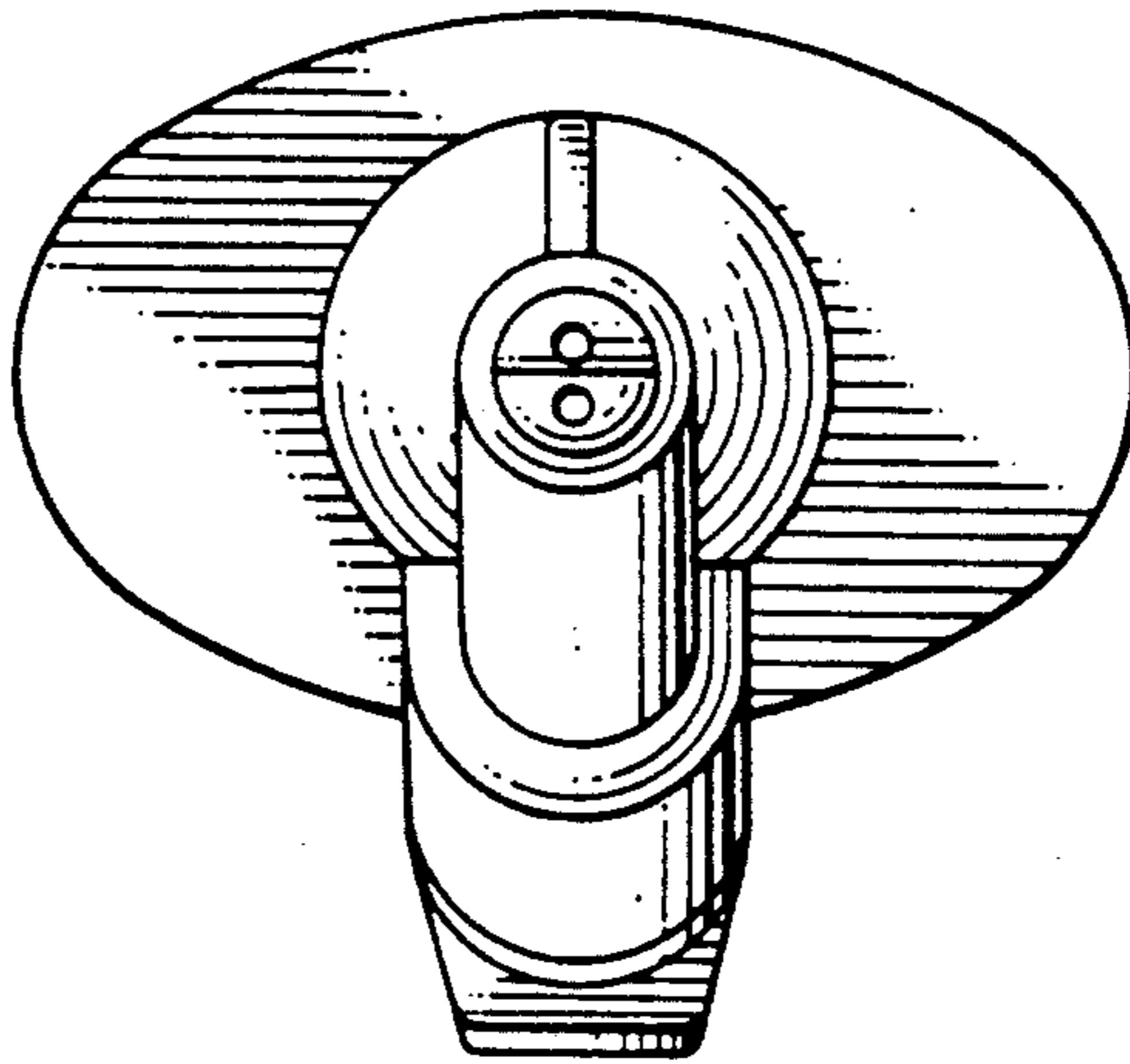
*FIG. 7*



*Fig. 8*



*Fig. 9*



*Fig. 10*

