



US00D341417S

# United States Patent [19]

[11] Patent Number: **Des. 341,417**

**Wortham**

[45] Date of Patent: **\*\* Nov. 16, 1993**

[54] **BLOW HEATER**

D. 327,946 7/1992 Barré ..... D23/370  
2,801,044 7/1957 Bowie ..... 415/121.2

[75] Inventor: **Brent J. Wortham, Pasadena, Calif.**

*Primary Examiner*—Wallace R. Burke  
*Assistant Examiner*—Lisa Lichtenstein  
*Attorney, Agent, or Firm*—Jack C. Munro

[73] Assignee: **Sun Star United Corporation, Los Angeles, Calif.**

[\*\*] Term: **14 Years**

[57] **CLAIM**

[21] Appl. No.: **4,265**

The ornamental design for a blow heater, as shown and described.

[22] Filed: **Feb. 1, 1993**

[52] U.S. Cl. .... **D23/336; D23/332; D23/337**

[58] Field of Search ..... **D23/336, 337, 370, 381, D23/335, 382, 324; 392/365-369, 360, 379; 415/121.2; 416/247 R, 95**

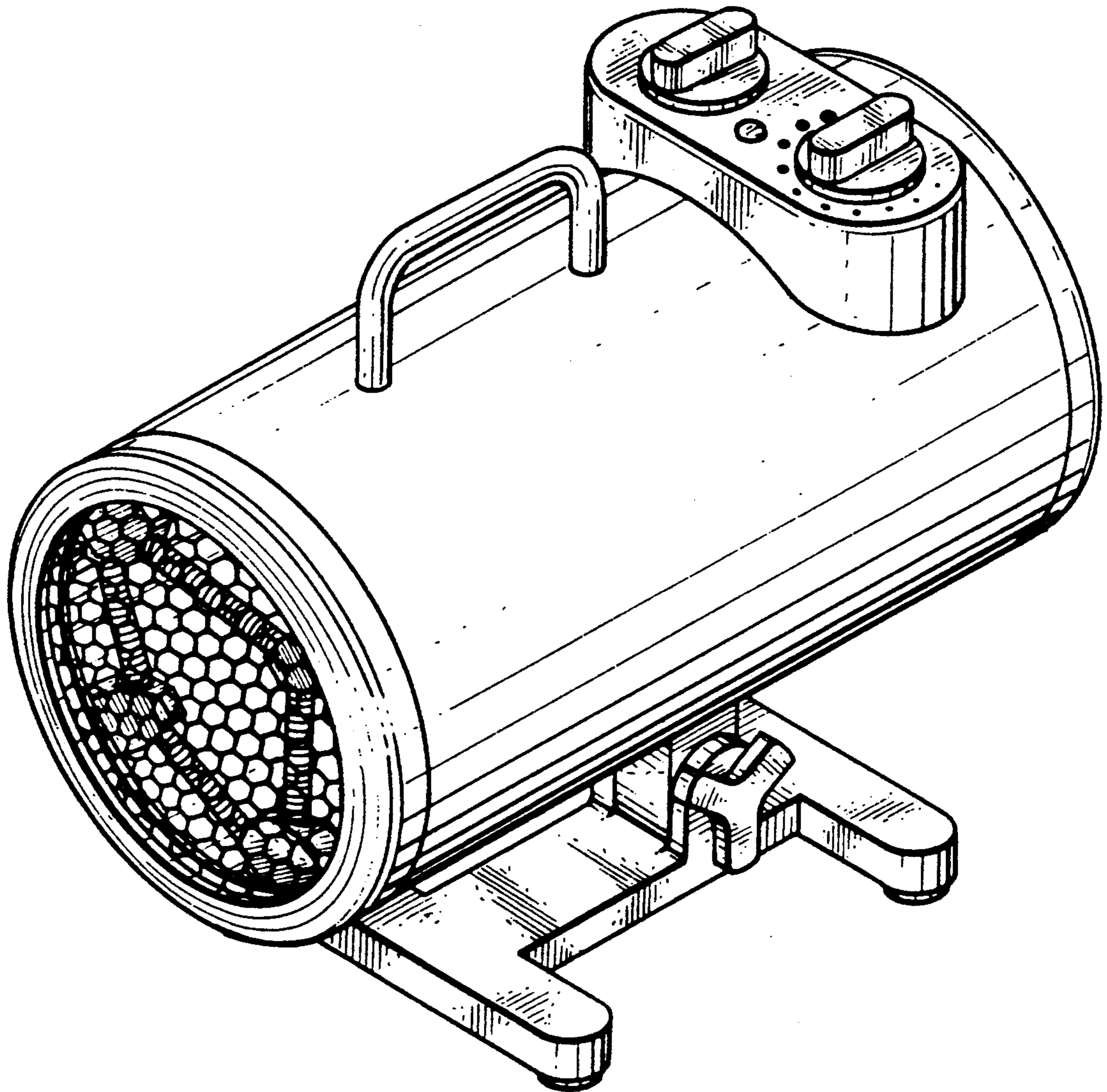
**DESCRIPTION**

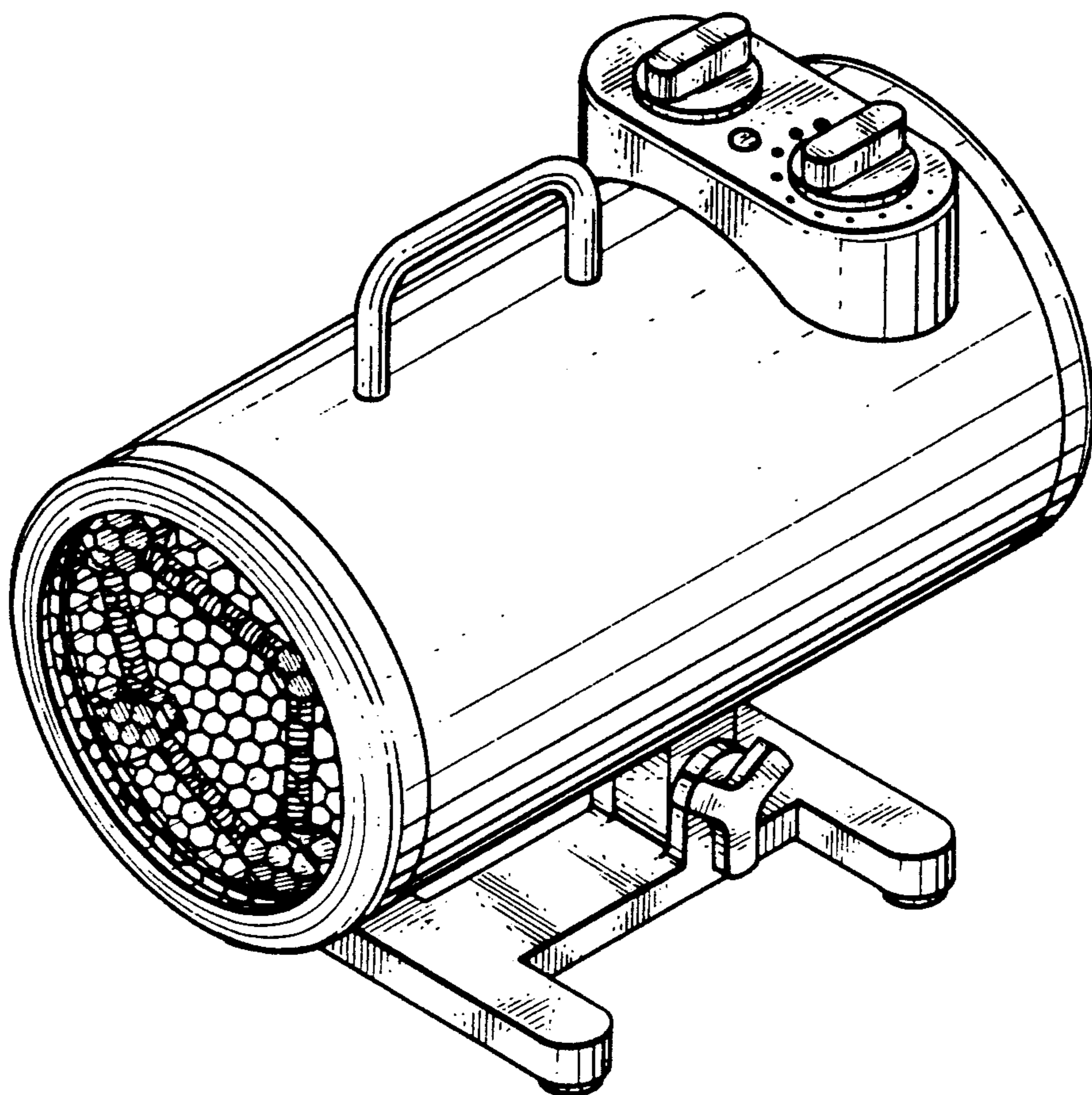
[56] **References Cited**

FIG. 1 is an isometric view of the blow heater showing my new design;  
FIG. 2 is a front elevational view thereof;  
FIG. 3 is a right side elevational view thereof;  
FIG. 4 is a left side elevational view thereof;  
FIG. 5 is a rear elevational view thereof;  
FIG. 6 is a top plan view thereof; and,  
FIG. 7 is a bottom plan view thereof.

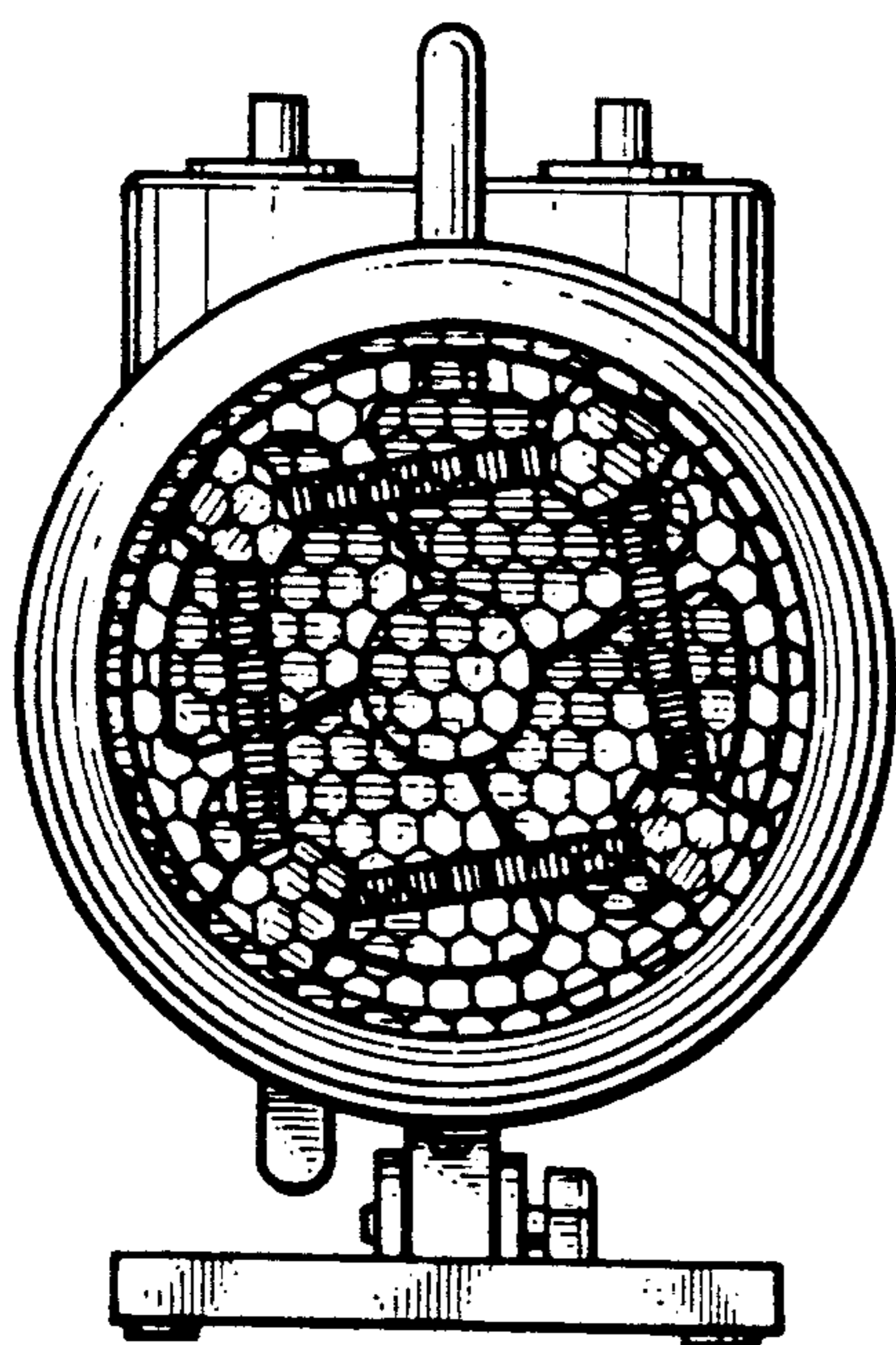
**U.S. PATENT DOCUMENTS**

D. 319,694 9/1991 Wortham ..... D23/336

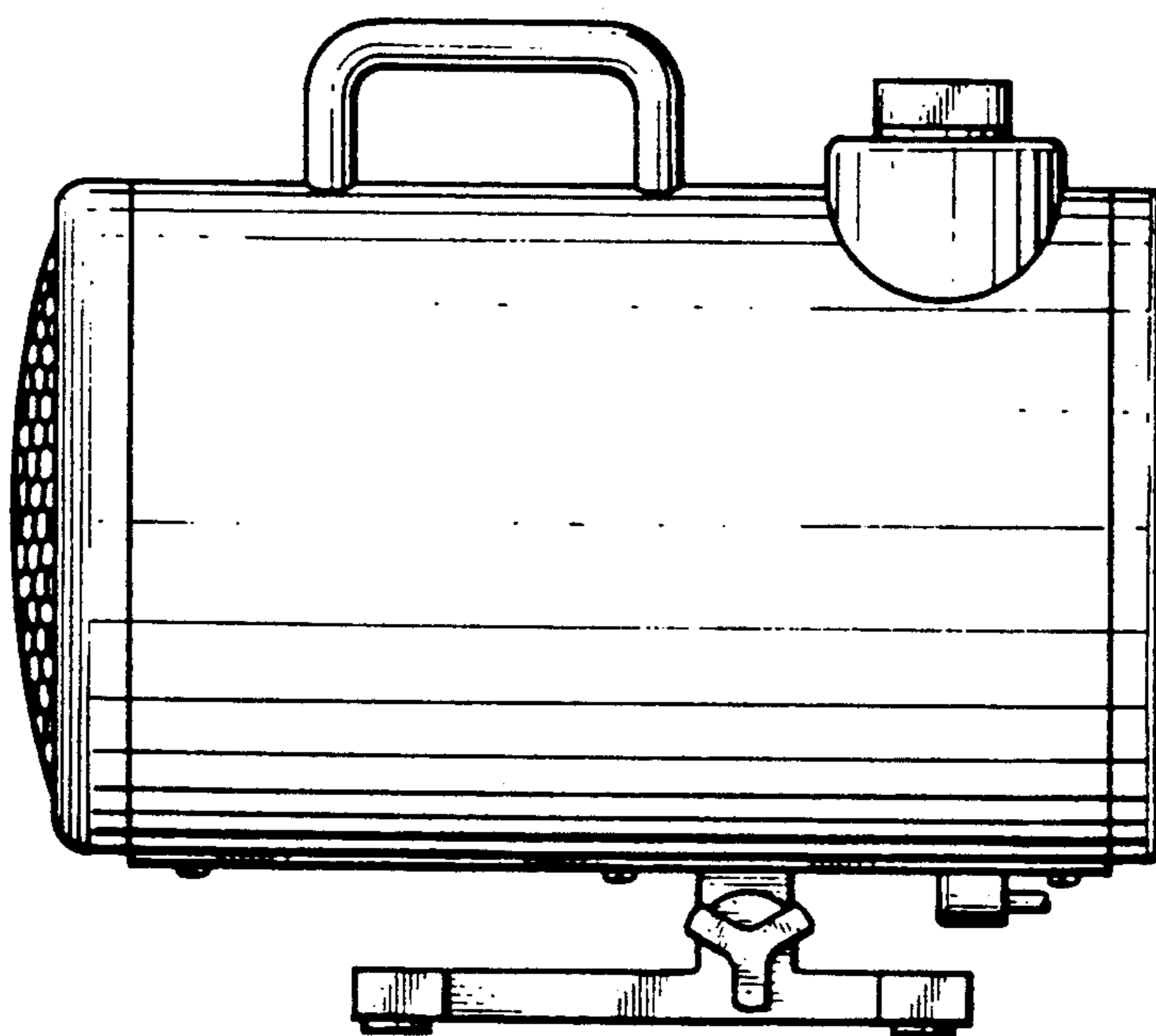




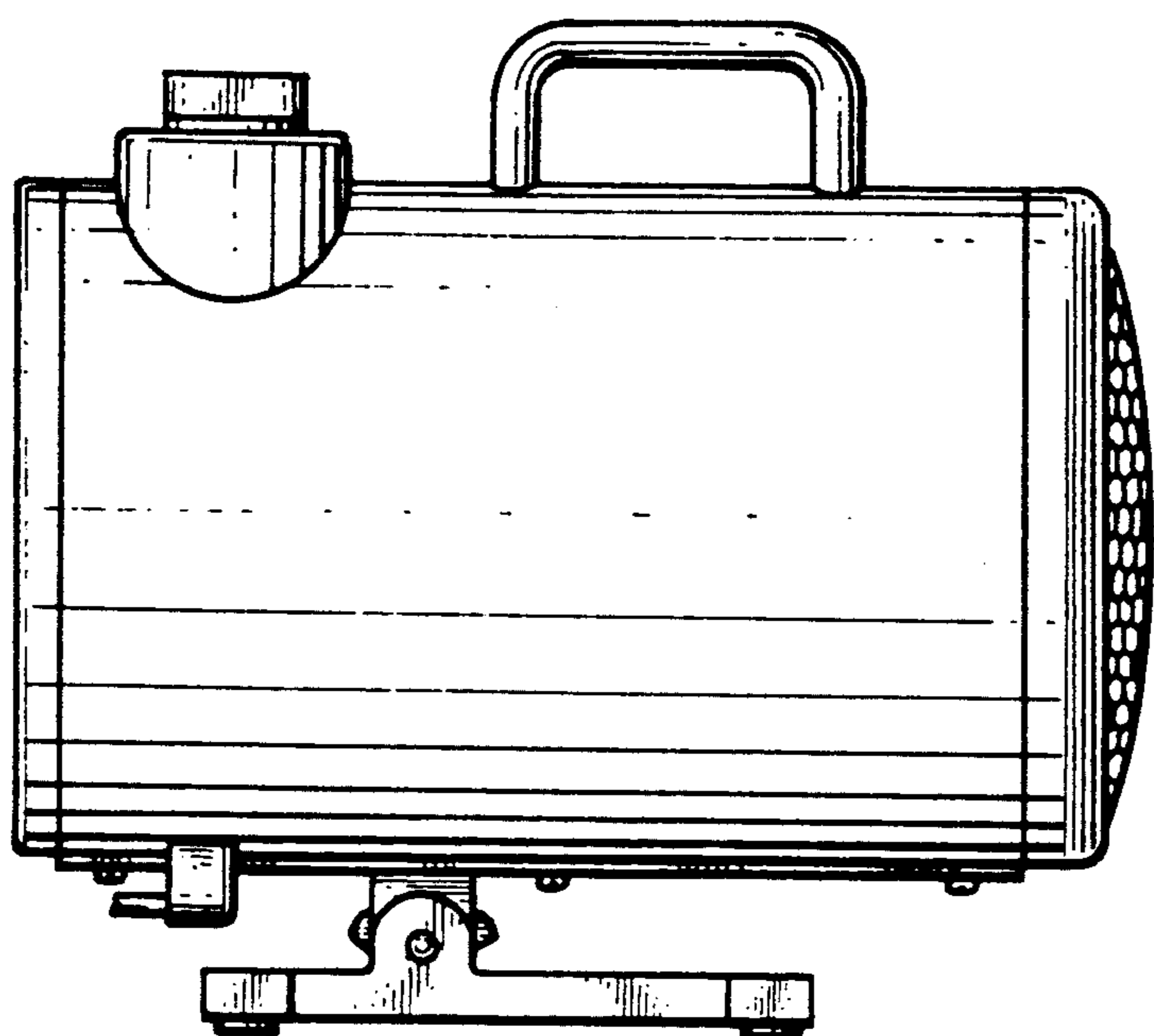
*Fig. 1.*



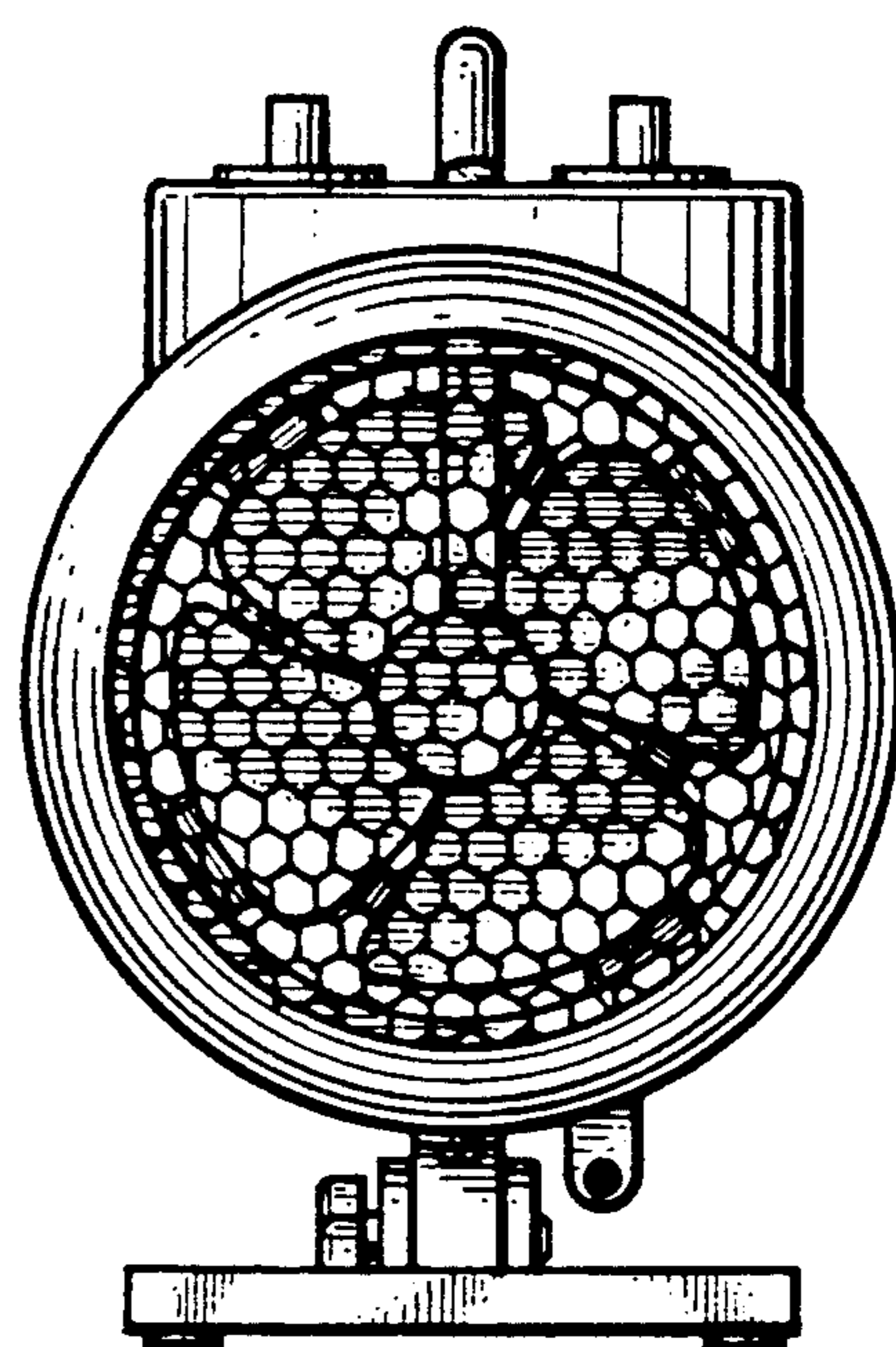
*Fig. 2.*



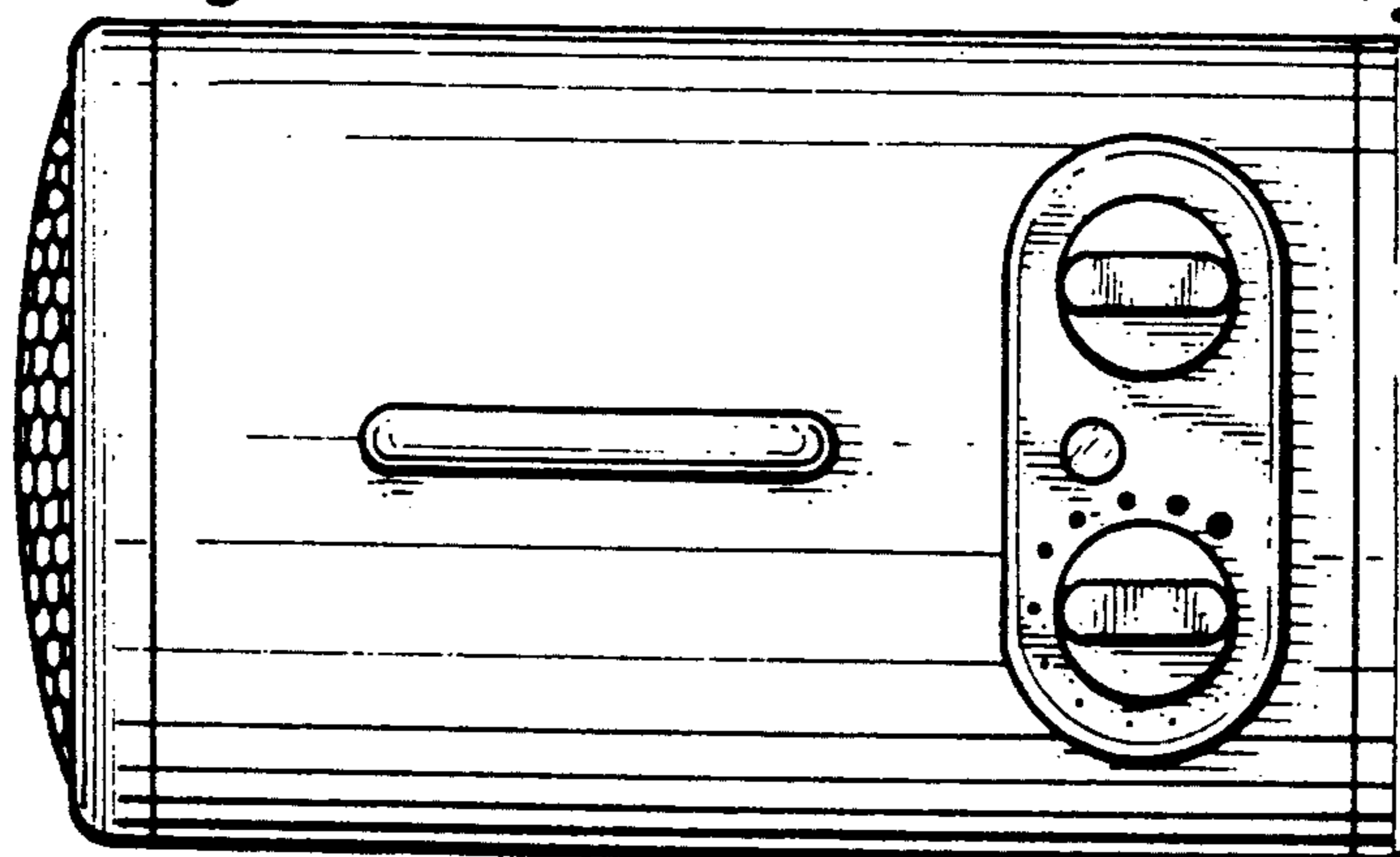
*Fig. 3.*



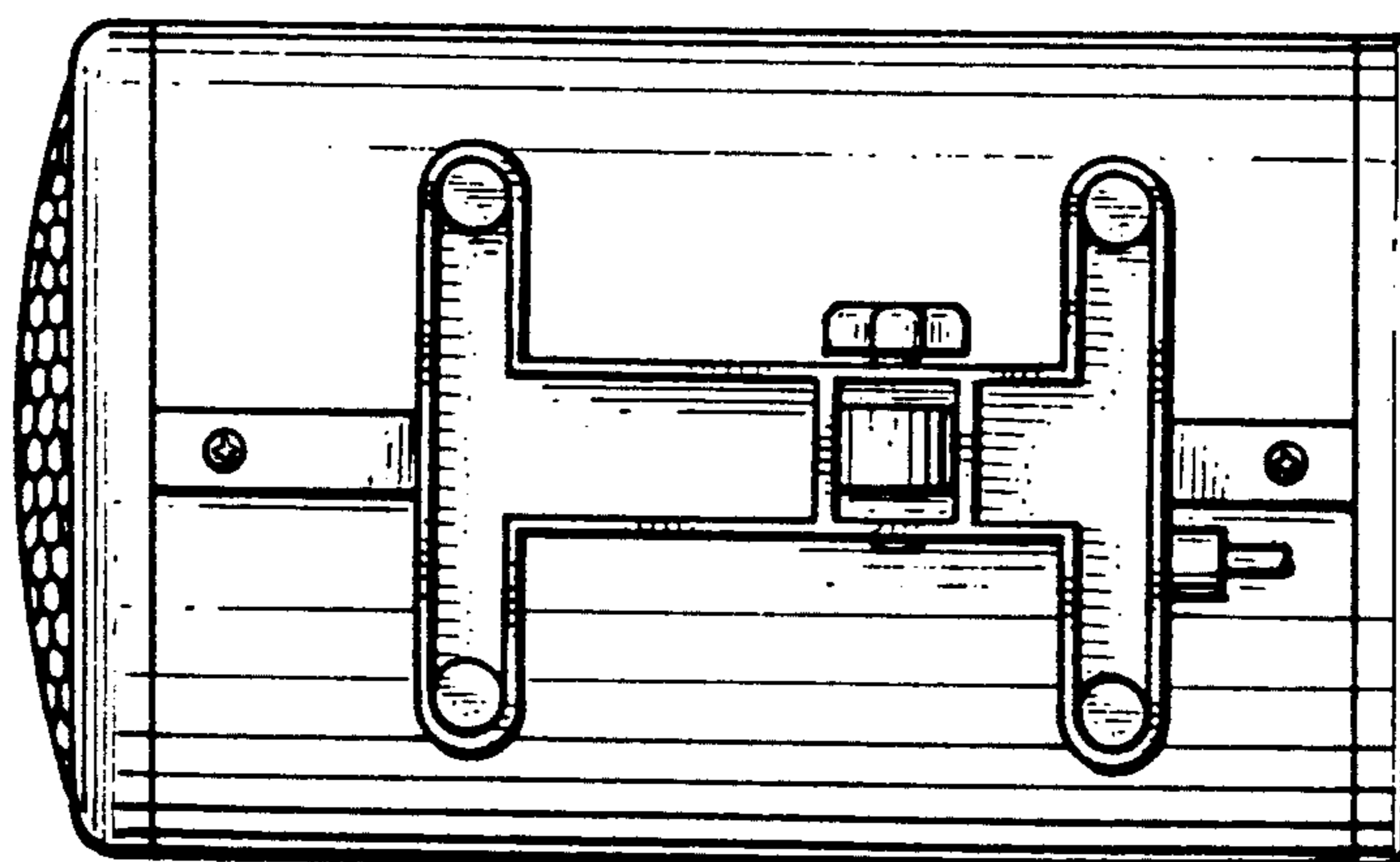
*Fig. 4.*



*Fig. 5.*



*Fig. 6.*



*Fig. 7.*