



US00D341412S

United States Patent [19]

[11] Patent Number: Des. 341,412

Werner et al.

[45] Date of Patent: ** Nov. 16, 1993

[54] MANIFOLD

[75] Inventors: Daniel P. Werner, Allendale, N.J.;
Mikhail Zlatkin, Bronx, N.Y.

[73] Assignee: The Hydrotherm Corporation,
Westfield, Mass.

[**] Term: 14 Years

[21] Appl. No.: 674,730

[22] Filed: Mar. 25, 1991

[52] U.S. Cl. D23/259

[58] Field of Search D23/259-269;
137/561 A, 597, 883

3,559,683 2/1971 Maguire 137/883 X

3,566,917 3/1971 White 137/883

3,736,955 6/1973 Schlessor 137/561 A

3,756,274 9/1973 Wolfgramm 137/561 A X

3,928,711 12/1975 Jakobsen 137/883 X

4,711,268 12/1987 Coleman 137/597

Primary Examiner—James R. Largen
Attorney, Agent, or Firm—Francis N. Carten

[57] CLAIM

The ornamental design for a manifold, as shown and described.

DESCRIPTION

FIG. 1 is a perspective view taken from the top, front and left side of a manifold showing our new design; FIG. 2 is a top plan view thereof; FIG. 3 is a left side elevational view thereof; FIG. 4 is a right side elevational view thereof; FIG. 5 is a bottom plan view thereof; FIG. 6 is a rear elevational view thereof; and, FIG. 7 is a front elevational view thereof.

[56] References Cited

U.S. PATENT DOCUMENTS

D. 213,317 2/1969 Nelson D23/259

D. 234,402 2/1975 Ogurchak D23/263

D. 290,259 6/1987 van der Wyk D23/263 X

1,772,265 10/1923 Bell 137/883

3,477,469 11/1969 Paley 137/883

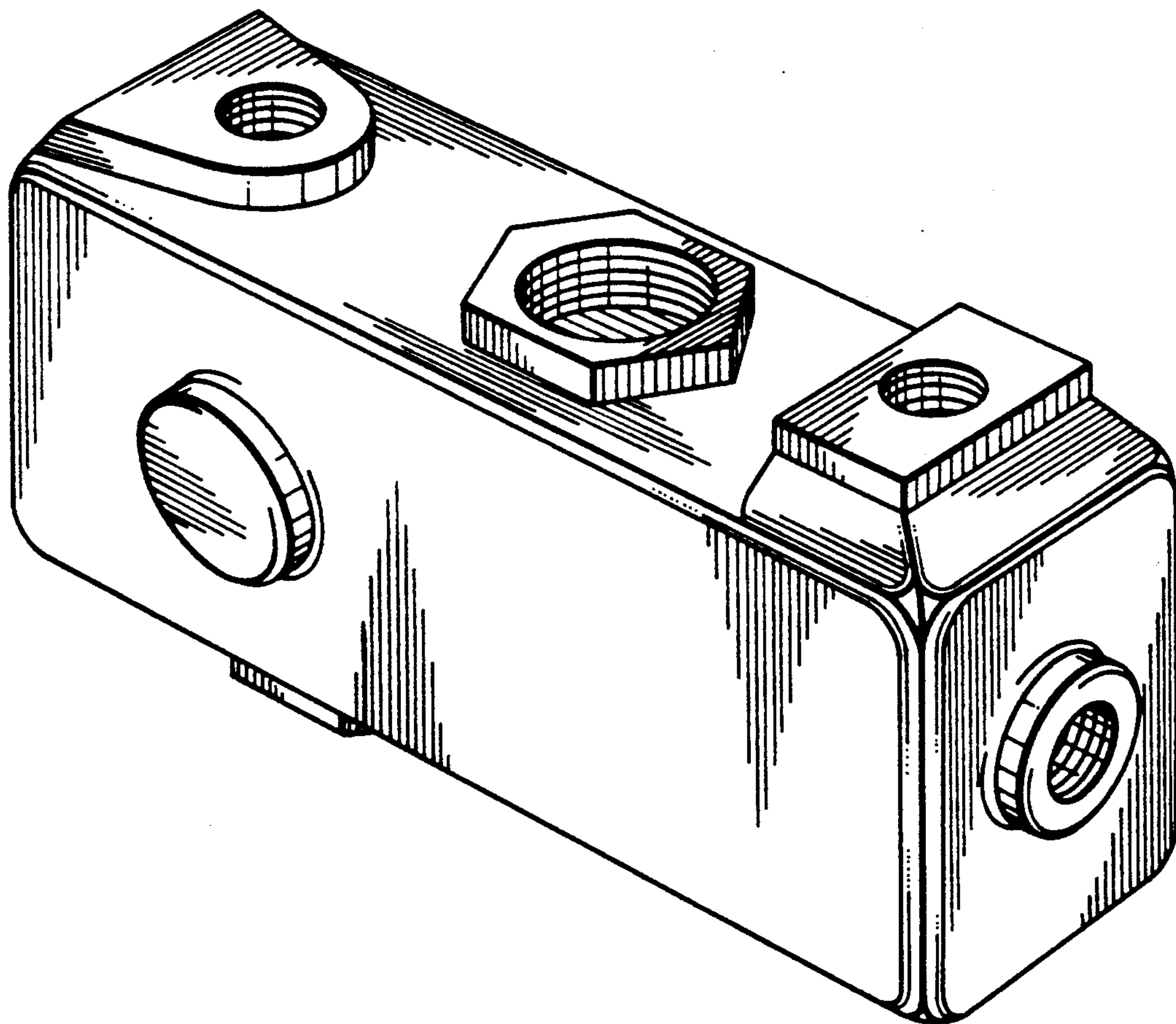


FIG. 1.

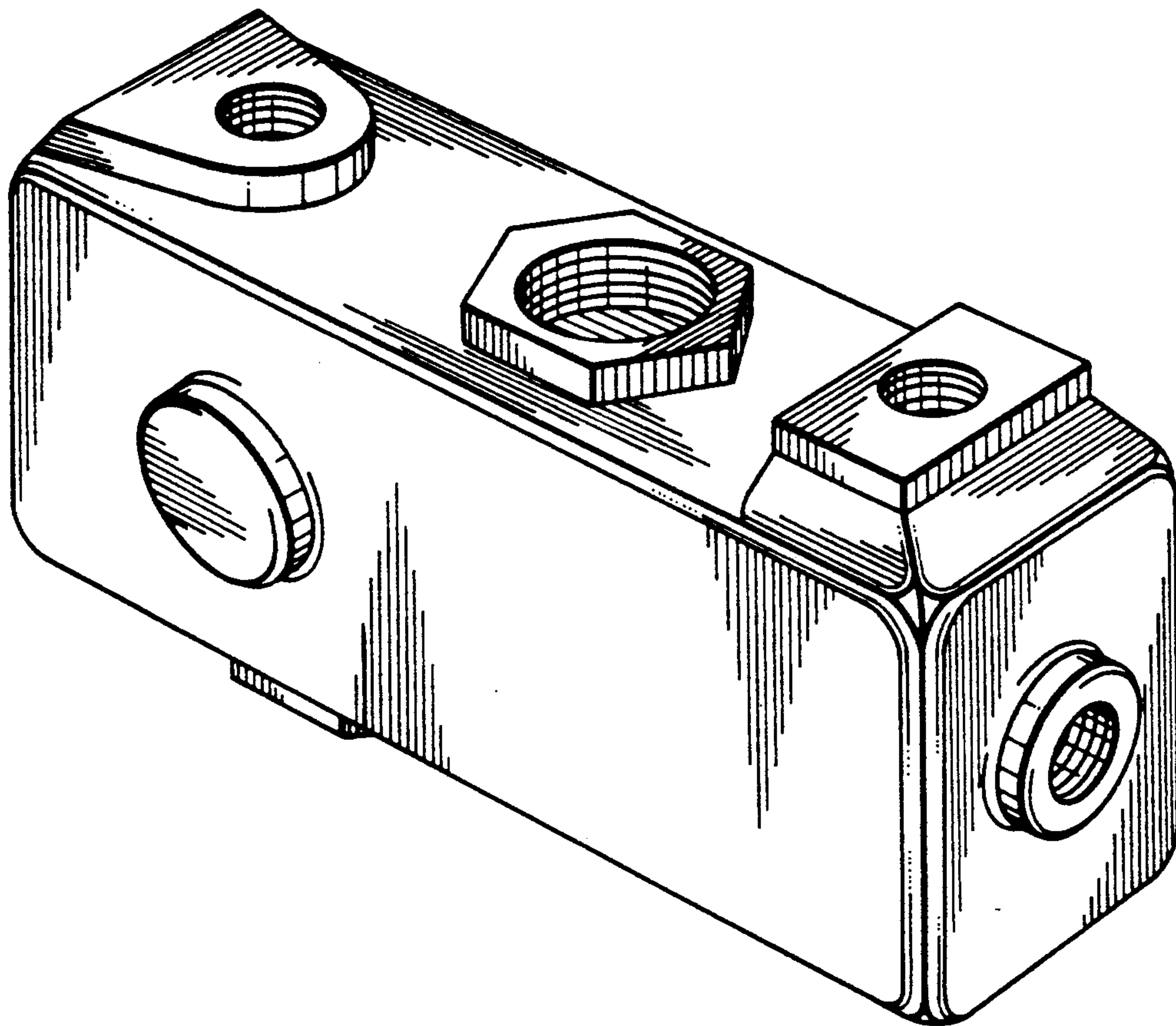


FIG. 2.

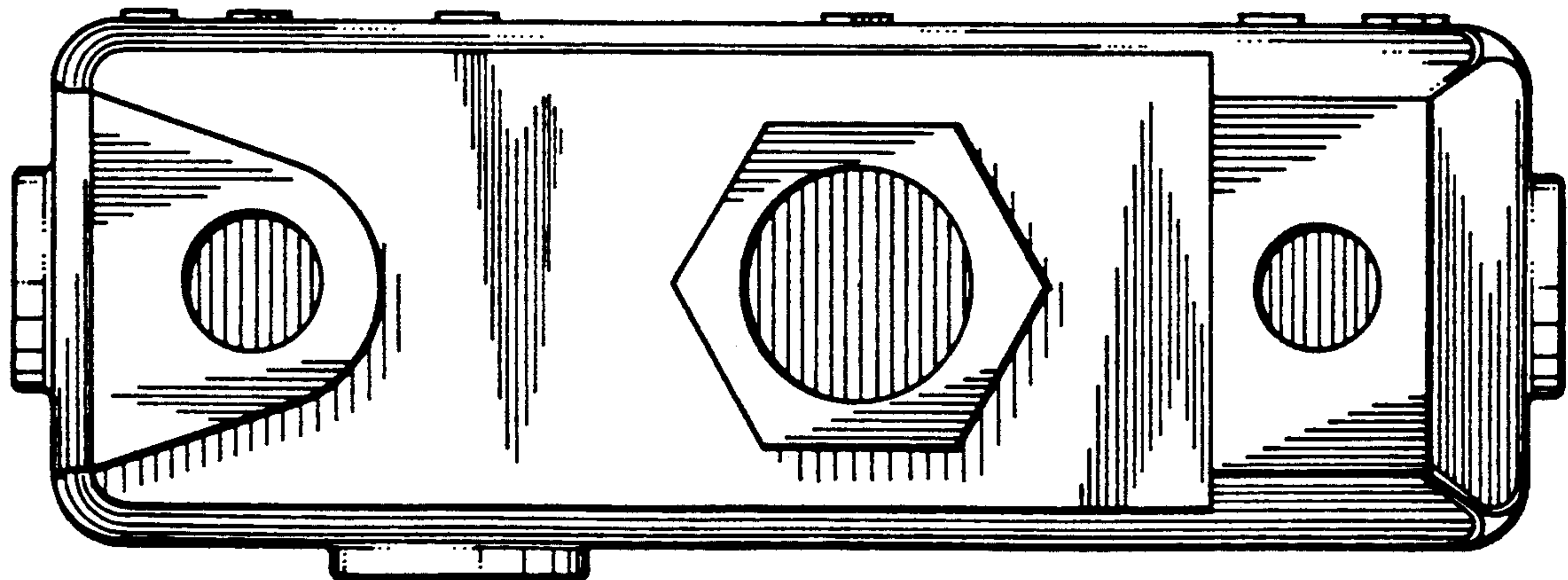


FIG. 3.

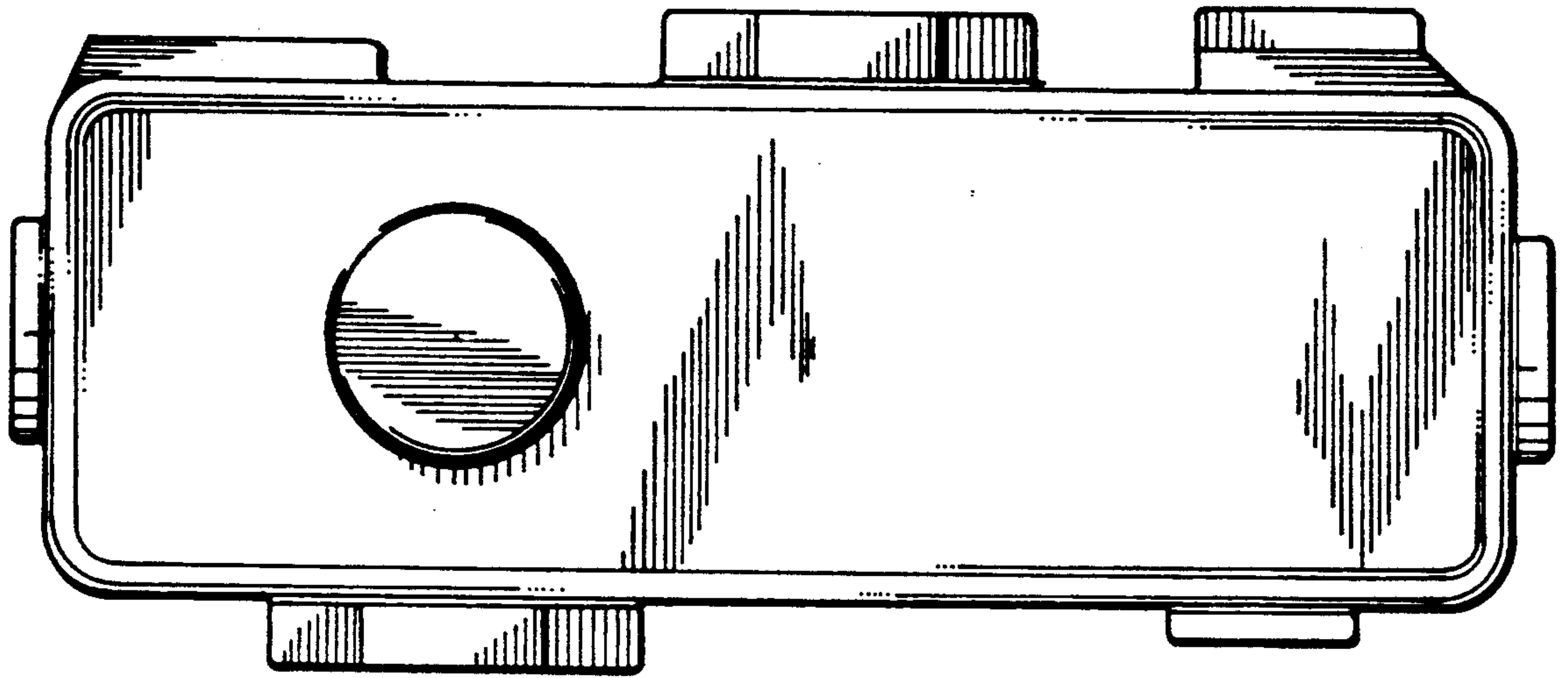


FIG. 4.

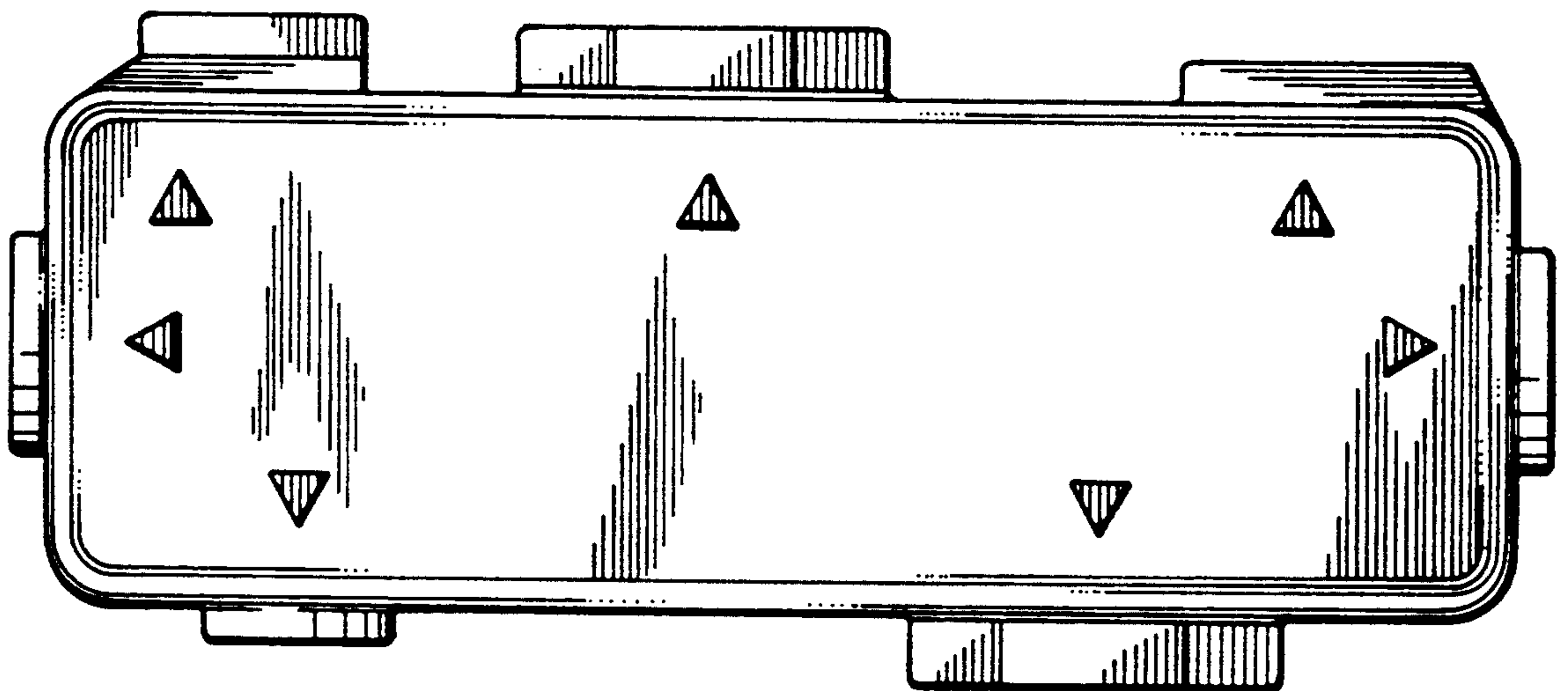


FIG. 5.

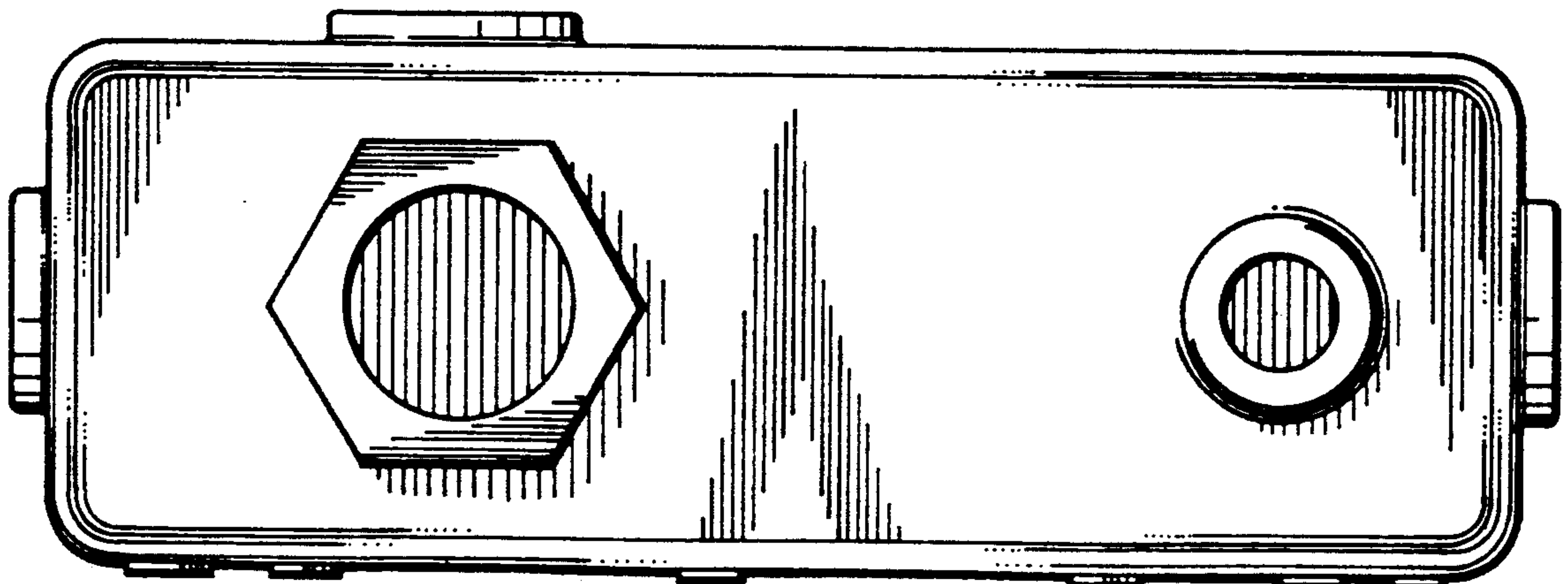


FIG. 6.

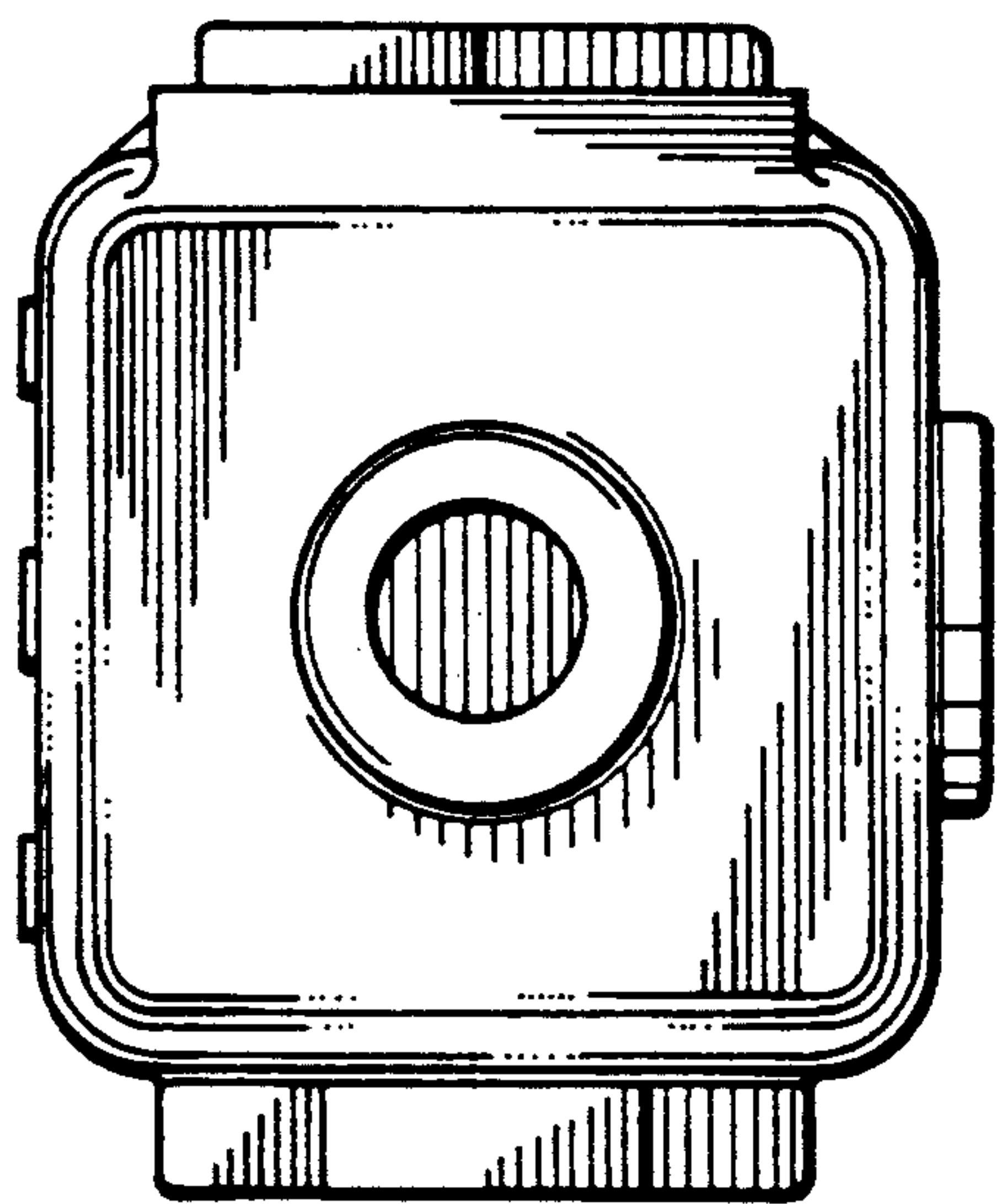


FIG. 7.

