



US00D341411S

United States Patent [19]

[11] Patent Number: **Des. 341,411**

Prina et al.

[45] Date of Patent: **** Nov. 16, 1993**

[54] VALVE
[75] Inventors: **Raphael Prina**, Perly, Switzerland;
Alain Guillot, Annemasse, France

4,649,957 3/1987 Quinn 137/625.64
4,683,454 7/1987 Vollmer et al. 251/129.15 X
4,790,345 12/1988 Kolchinsky 251/129.15 X

[73] Assignee: **Honeywell Lucifer S.A.**, Carouge,
Switzerland

Primary Examiner—James R. Largen
Attorney, Agent, or Firm—Young & Thompson

[**] Term: **14 Years**

[57] **CLAIM**

[21] Appl. No.: **663,639**

The ornamental design for a valve, as shown and described.

[22] Filed: **Mar. 4, 1991**

DESCRIPTION

[30] **Foreign Application Priority Data**

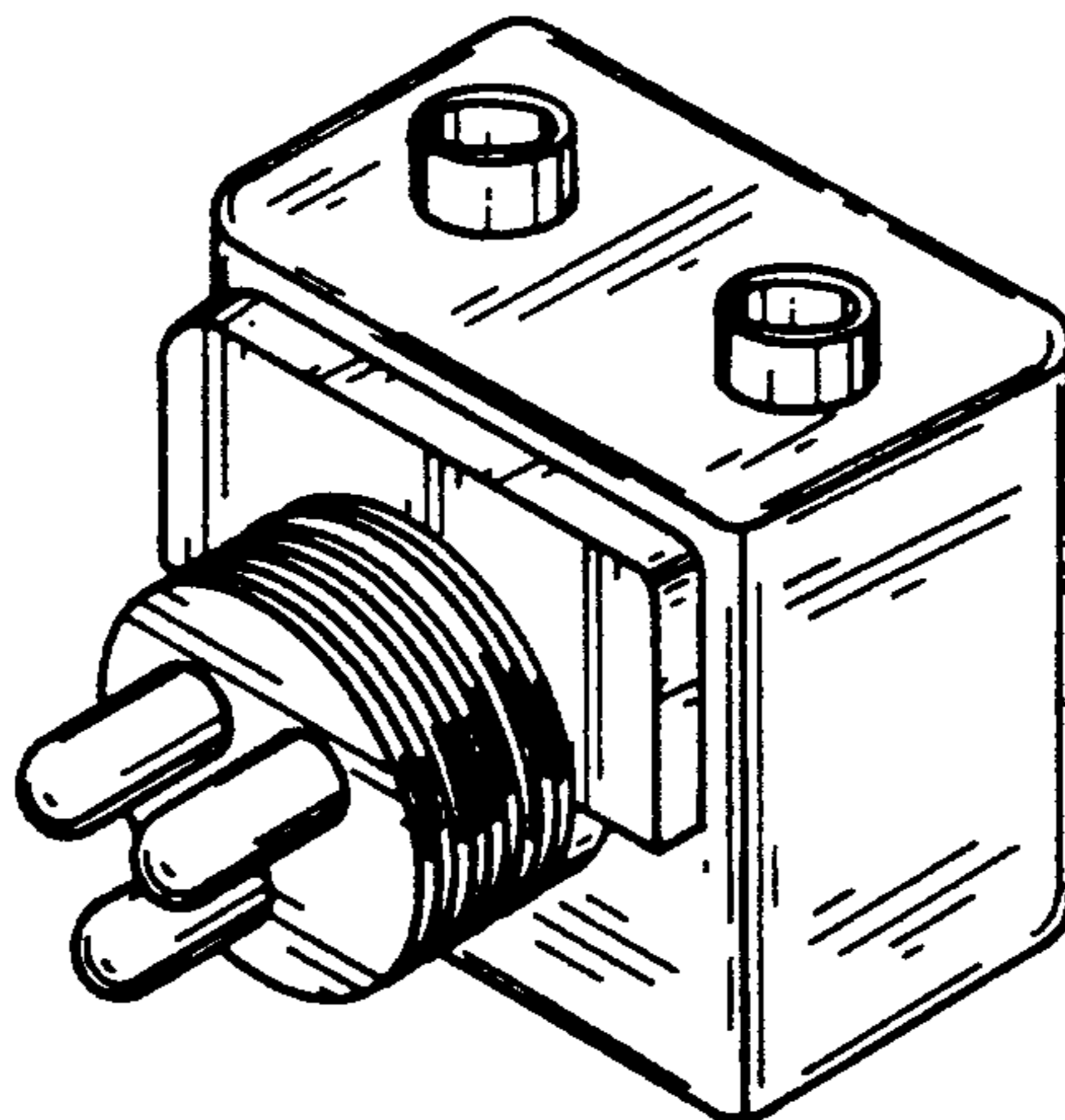
Sep. 3, 1990 [CH] Switzerland 118397
[52] U.S. Cl. **D23/233**
[58] Field of Search D23/233-237,
D23/244-249; 137/625.64, 625.65, 596.16,
596.17; 251/129.15; 303/119.2

FIG. 1 is a left side elevational view of a valve showing my new design, the right side being a mirror image of the left side;
FIG. 2 is a front elevational view thereof, the rear being plain and unornamented;
FIG. 3 is a top plan view thereof;
FIG. 4 is a bottom plan view thereof;
FIG. 5 is a perspective view taken from the top, front and right side thereof;
FIG. 6 is a left side elevational view of a second embodiment thereof, the right side being a mirror image of the left side;
FIG. 7 is a front elevational view of FIG. 6, the rear being plain and unornamented;
FIG. 8 is a top plan view of FIG. 6;
FIG. 9 is a bottom plan view of FIG. 6; and,
FIG. 10 is a perspective view taken from the top, front and right side of FIG. 6.

[56] **References Cited**

U.S. PATENT DOCUMENTS

D. 142,703 10/1945 Collins D23/245
D. 327,116 6/1992 Prina D23/235
3,339,572 9/1967 Gordon et al. 137/625.64 X
4,574,843 3/1986 Loup et al. 137/625.64 X
4,585,029 4/1986 Harding 137/625.64 X
4,590,968 5/1986 Wolfges 137/625.64 X
4,611,632 9/1986 Kolchinsky 251/129.15 X
4,617,966 10/1986 Nicholson 137/625.64 X
4,627,597 12/1986 Brausfeld et al. 251/129.15 X



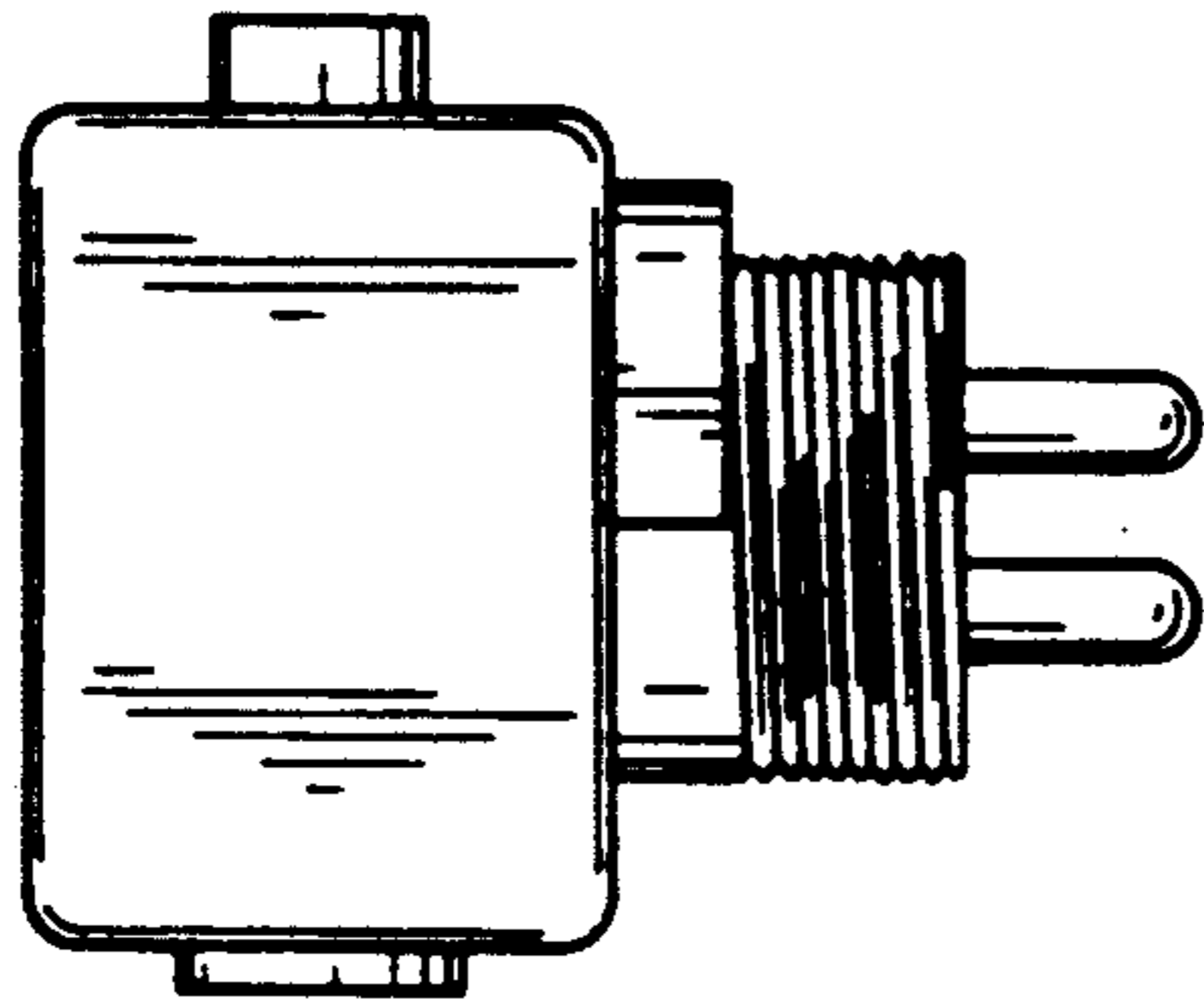


FIG. 1

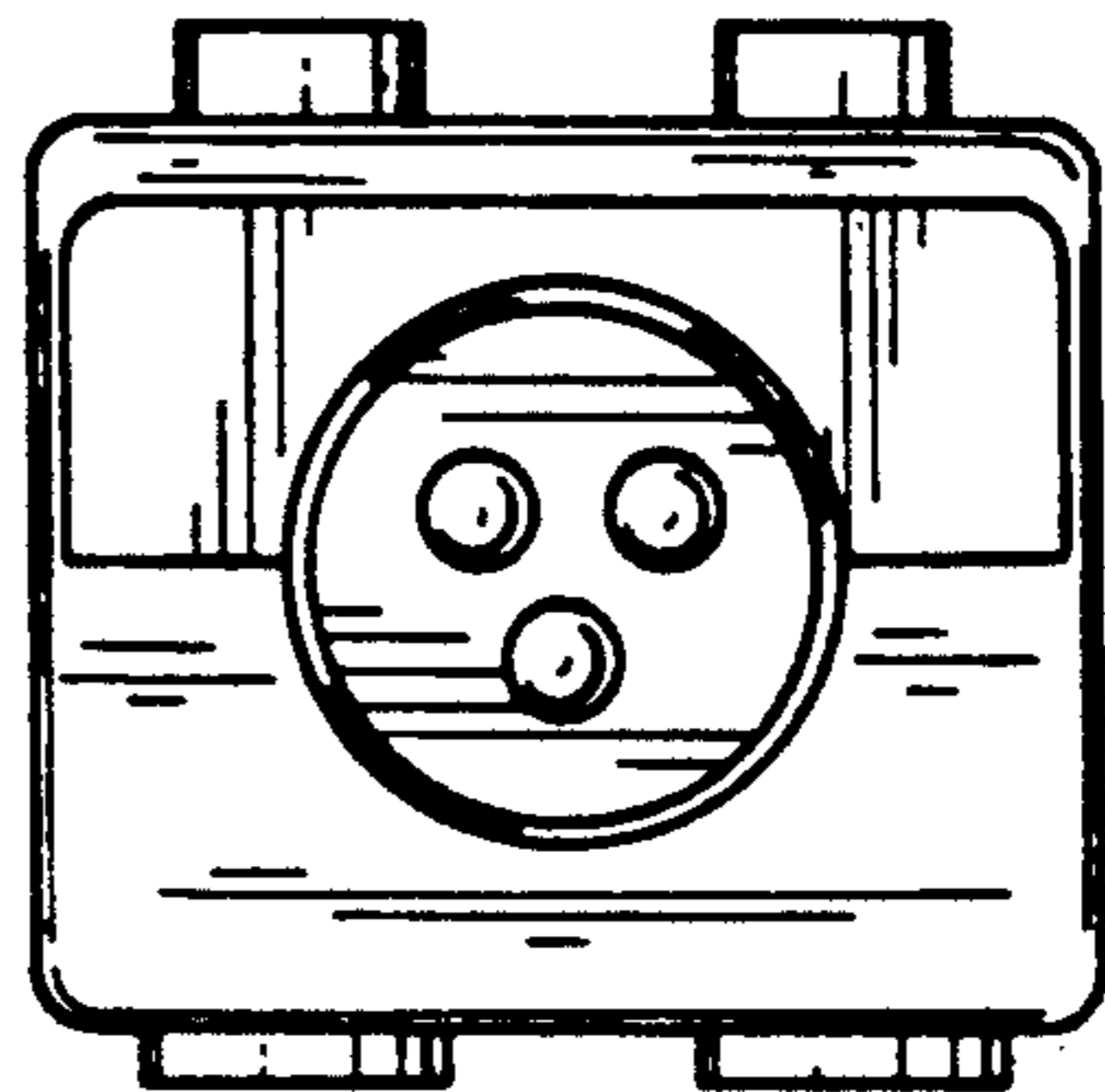


FIG. 2

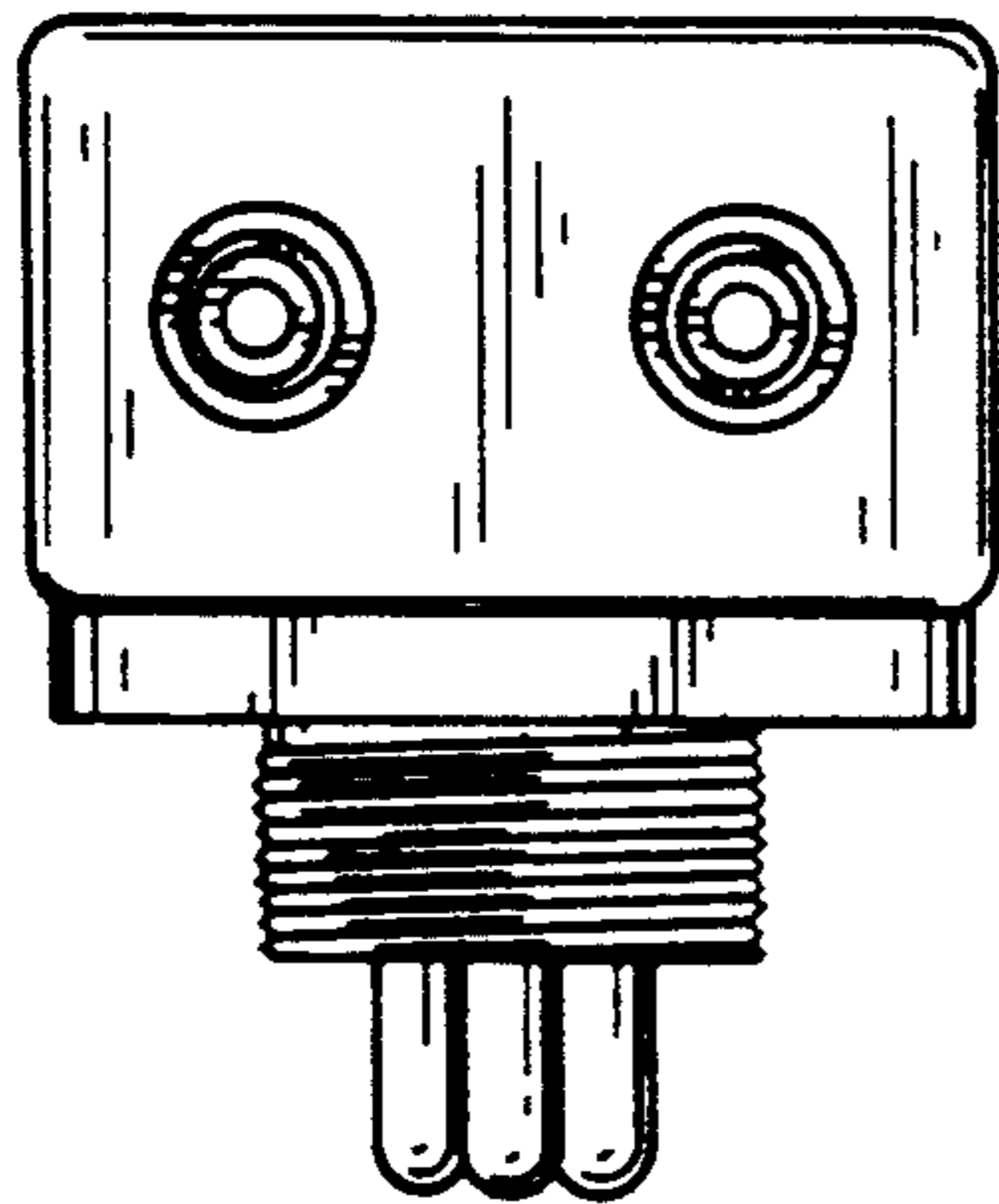


FIG. 3

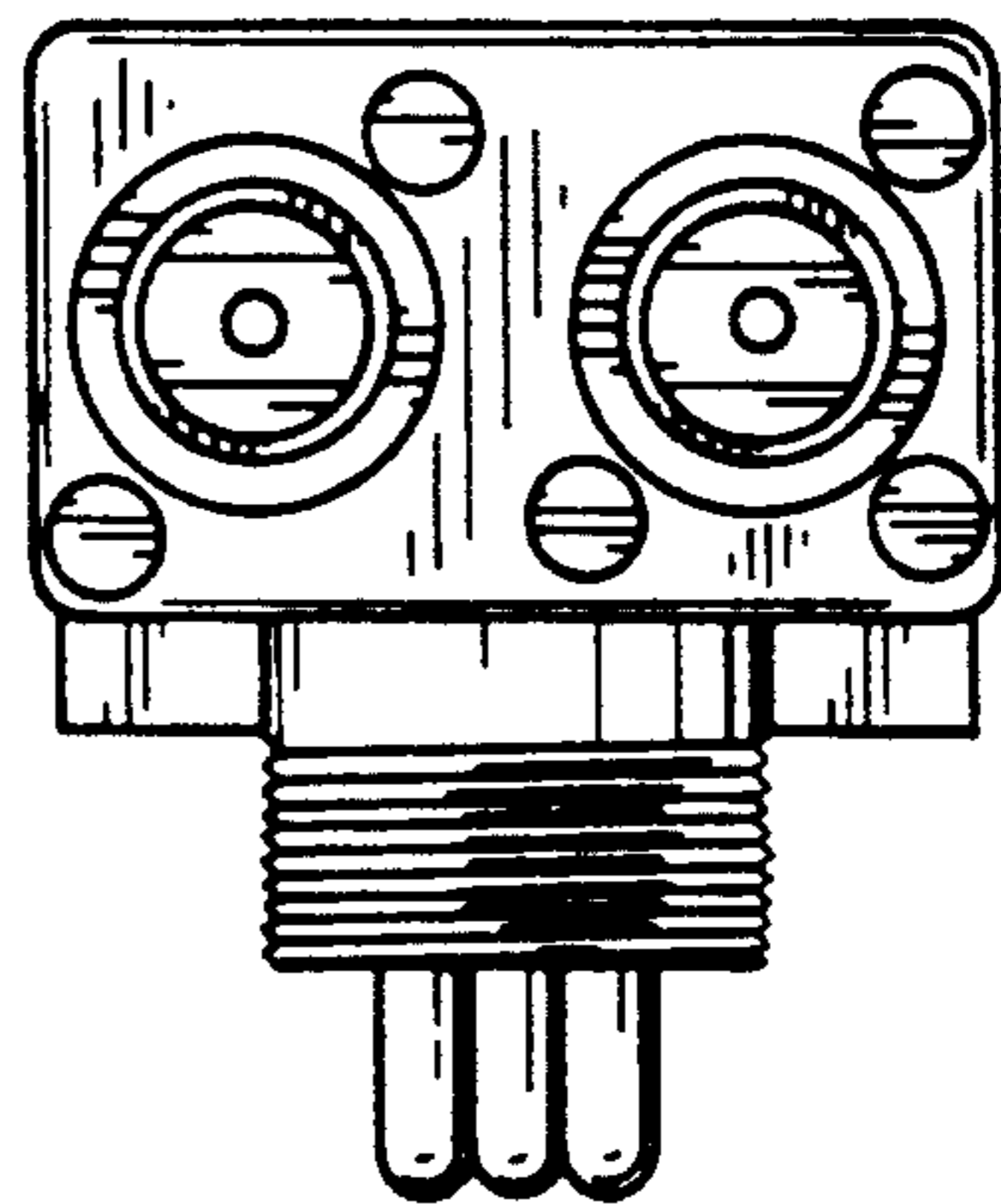
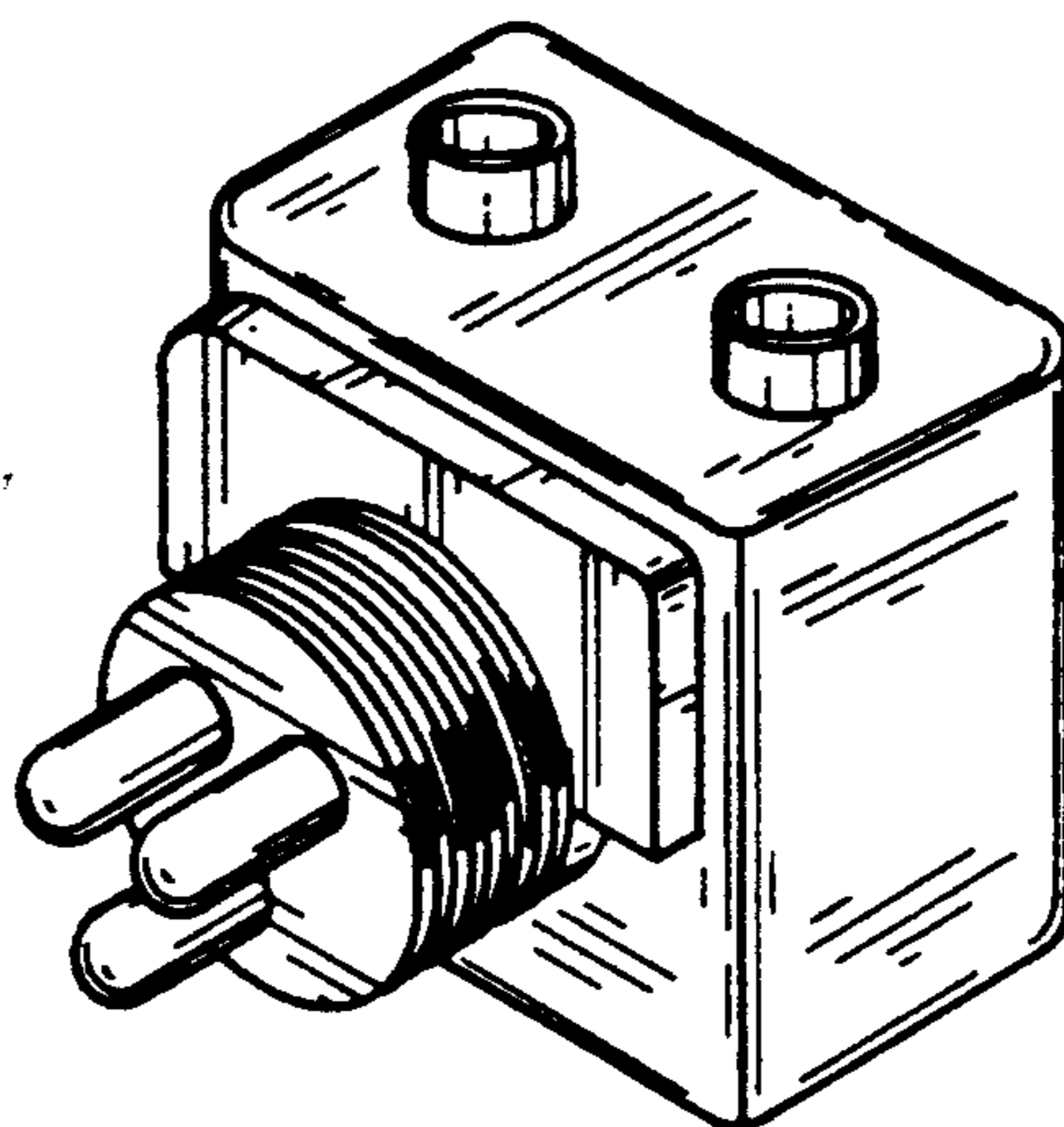


FIG. 4

FIG. 5



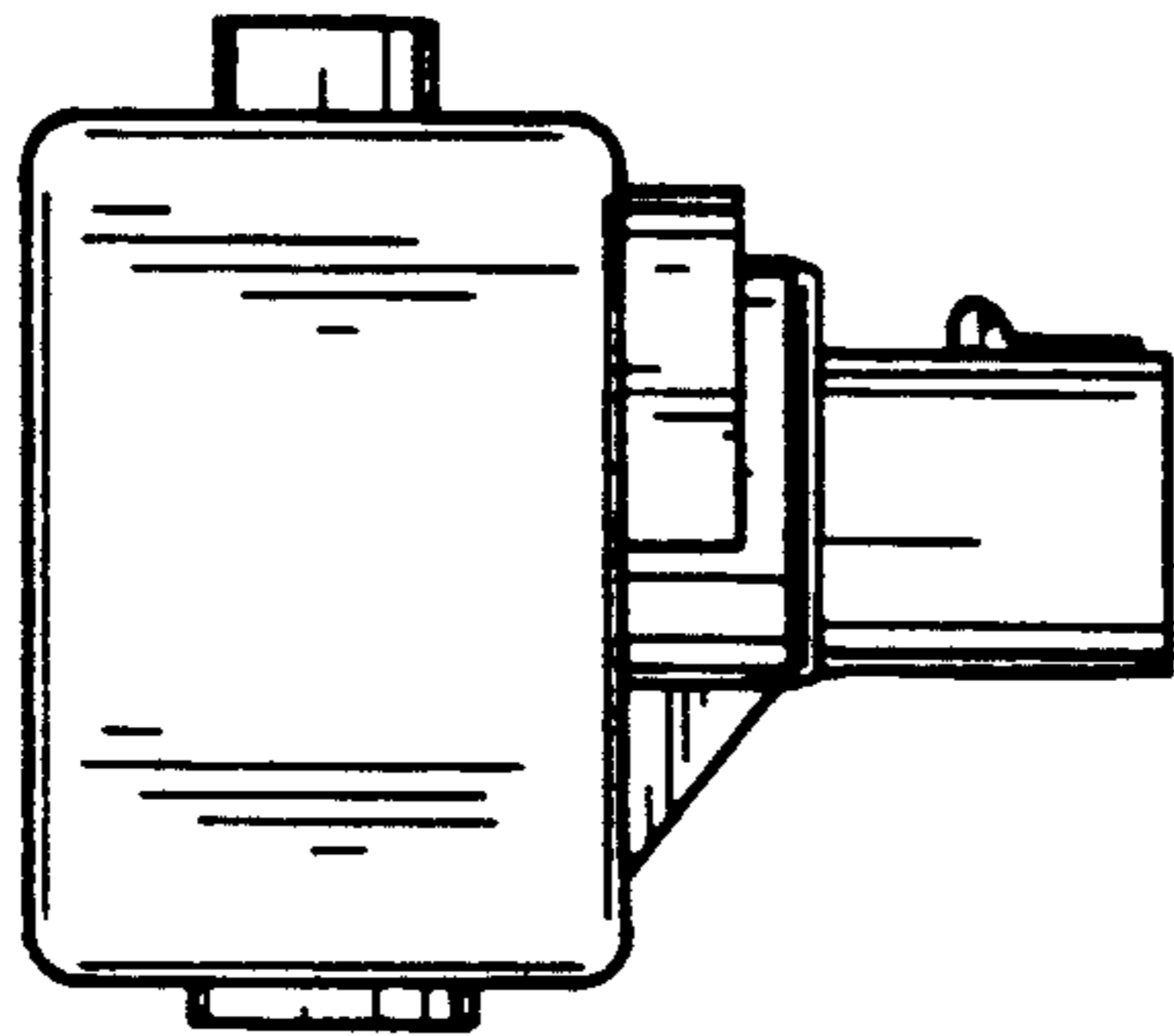


FIG. 6

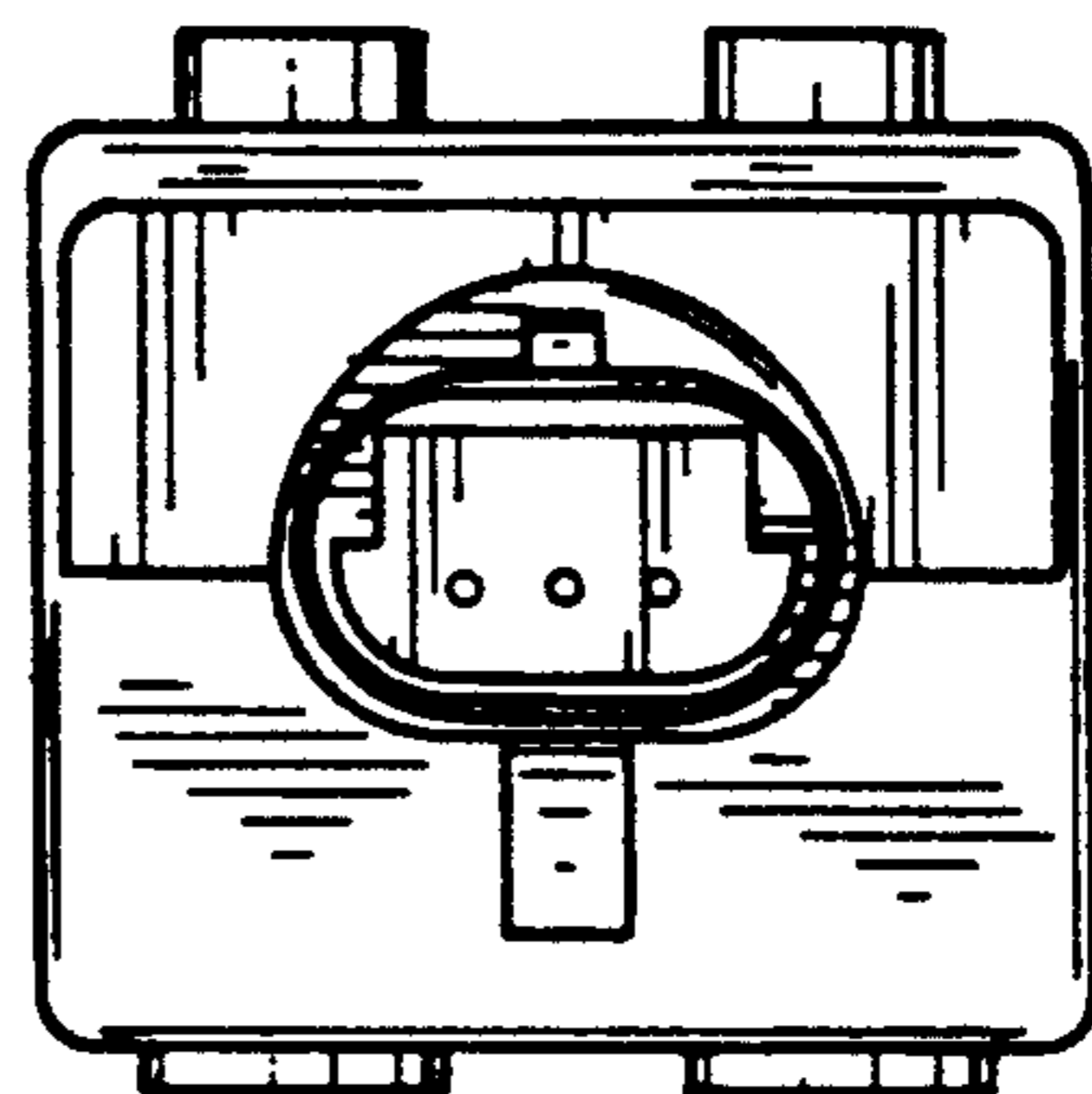


FIG. 7

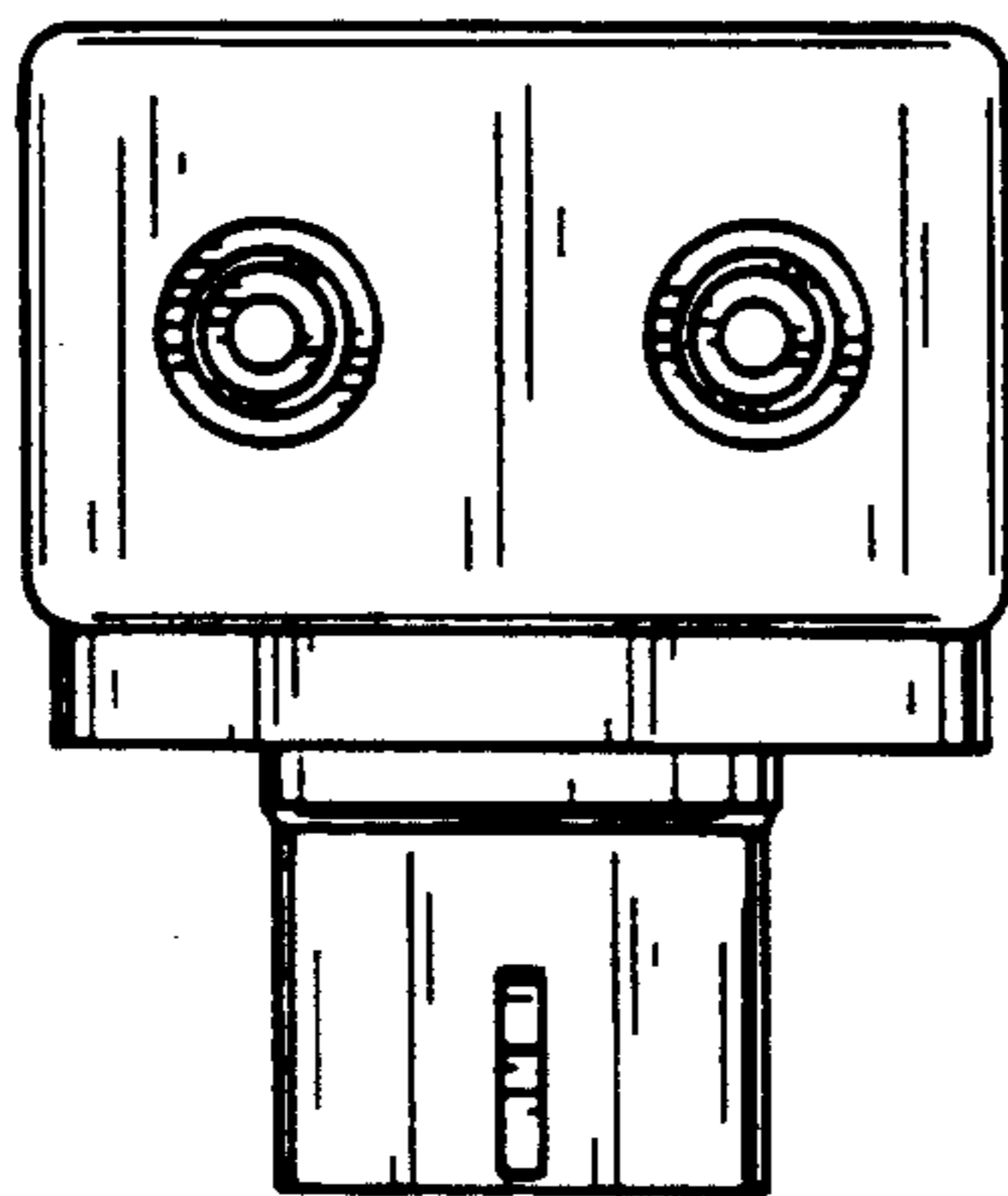


FIG. 8

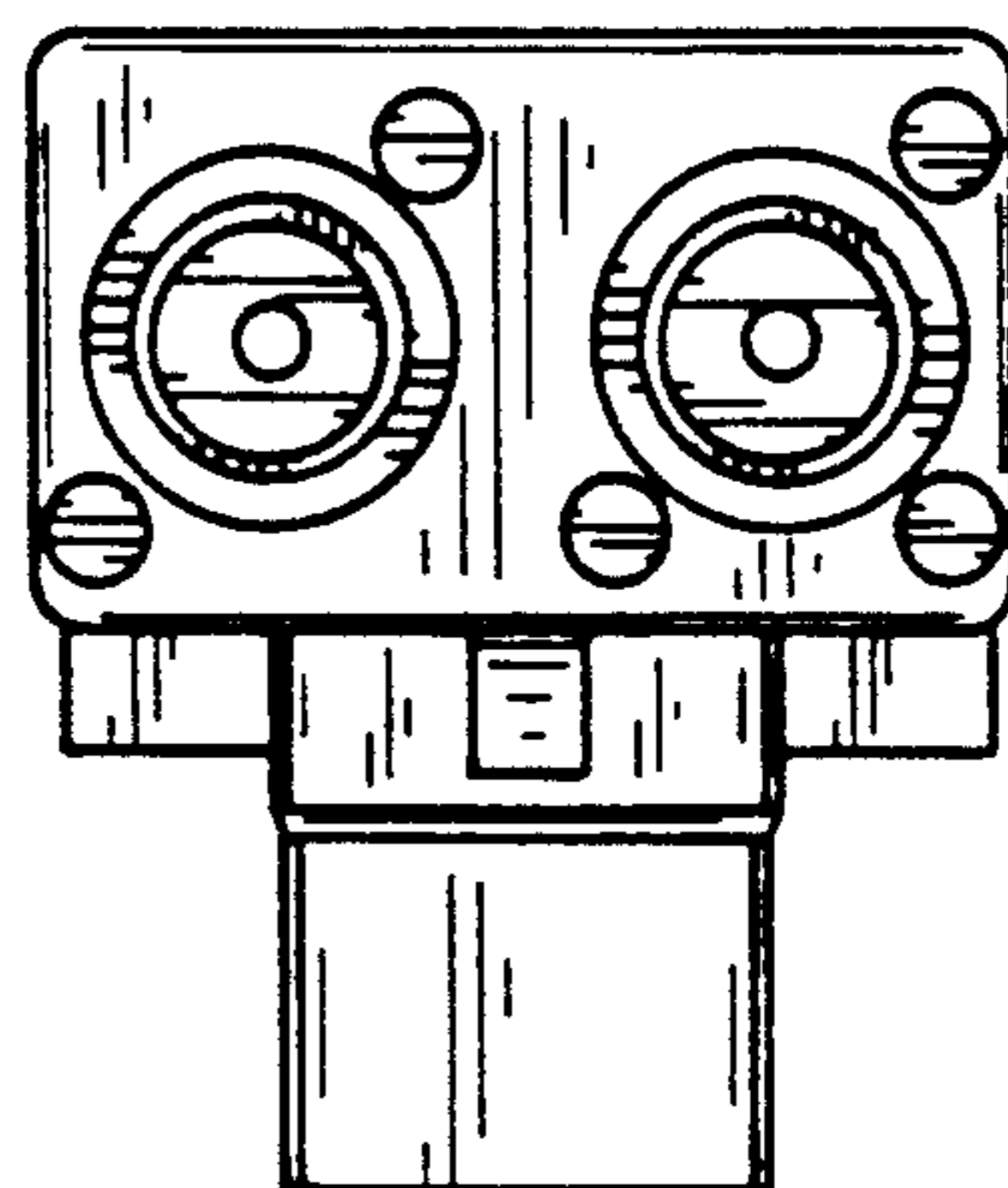


FIG. 9

FIG. 10

