



US00D341408S

United States Patent [19]
Grice

[11] **Patent Number: Des. 341,408**
[45] **Date of Patent: ** Nov. 16, 1993**

[54] **REEL SEAT FOR FISHING ROD**

[75] **Inventor: Steven L. Grice, Spirit Lake, Iowa**

[73] **Assignee: Berkley, Inc., Spirit Lake, Iowa**

[**] **Term: 14 Years**

[21] **Appl. No.: 701,962**

[22] **Filed: May 15, 1991**

[52] **U.S. Cl. D22/142**

[58] **Field of Search D22/142; 43/181, 185,
43/20, 22, 23**

[56] **References Cited**

U.S. PATENT DOCUMENTS

D. 301,050 5/1989 Lassi D22/142
4,839,981 6/1989 Yasui D22/142

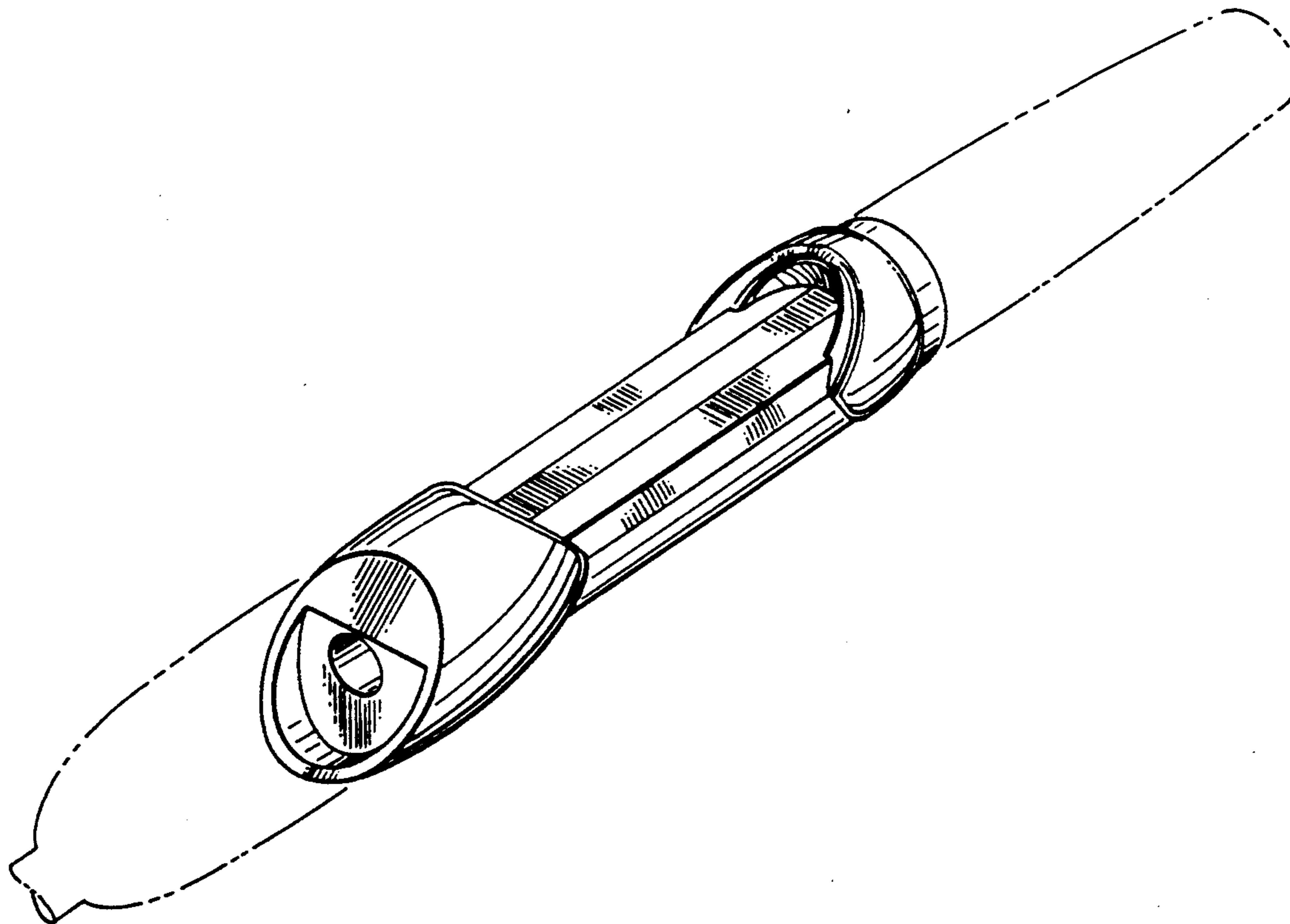
Primary Examiner—A. Hugo Word
Assistant Examiner—Doris V. Coles
Attorney, Agent, or Firm—Faegre & Benson

[57] **CLAIM**

The ornamental design for a reel seat for fishing rod, as shown and described.

DESCRIPTION

FIG. 1 is a perspective view of the reel seat for fishing rod;
FIG. 2 is a front elevational view thereof;
FIG. 3 is a rear elevational view thereof;
FIG. 4 is a top plan view thereof;
FIG. 5 is a bottom plan view thereof; and,
FIG. 6 is a side elevational view, the opposite side being a mirror image thereof.



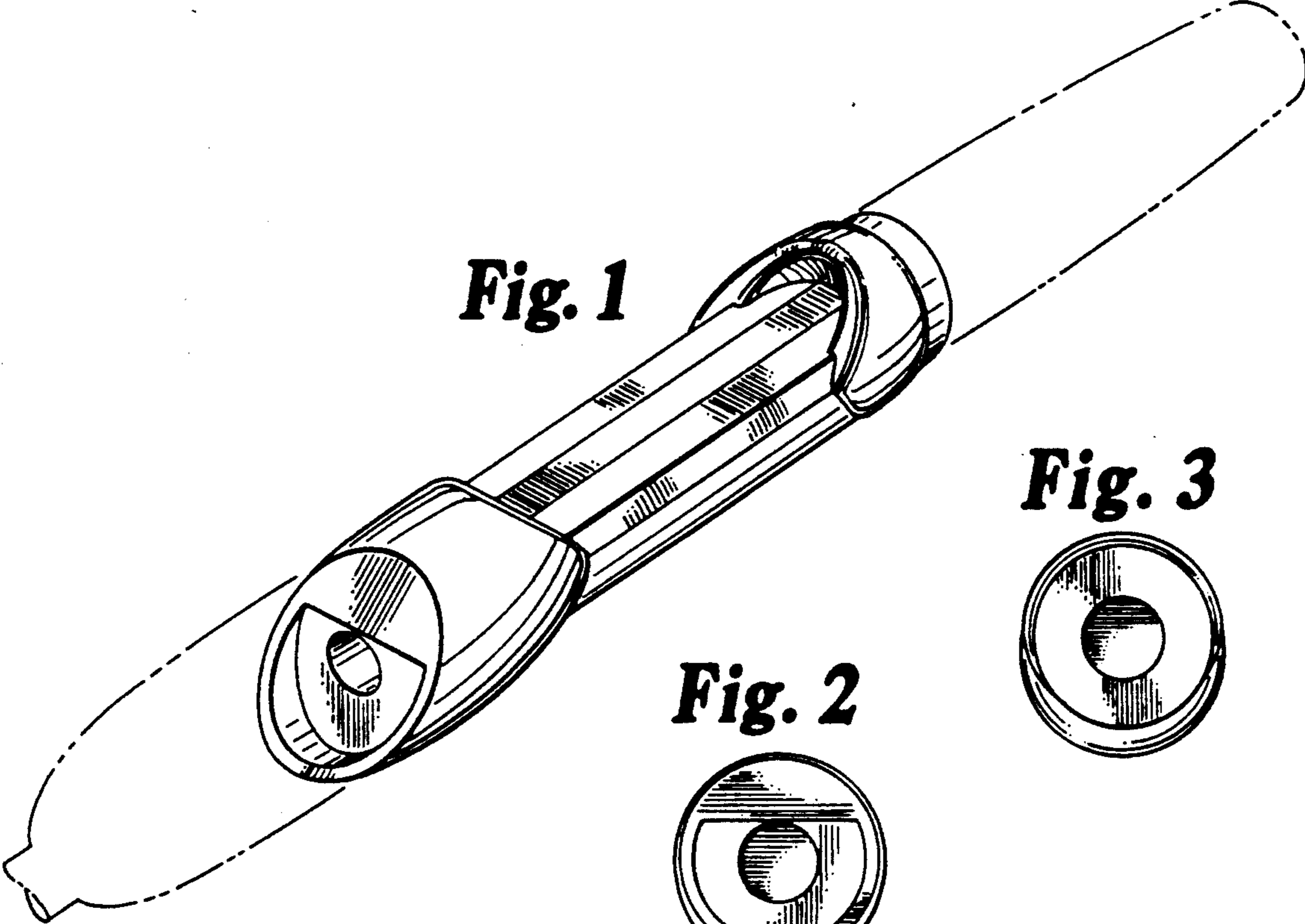


Fig. 1

Fig. 3

Fig. 2

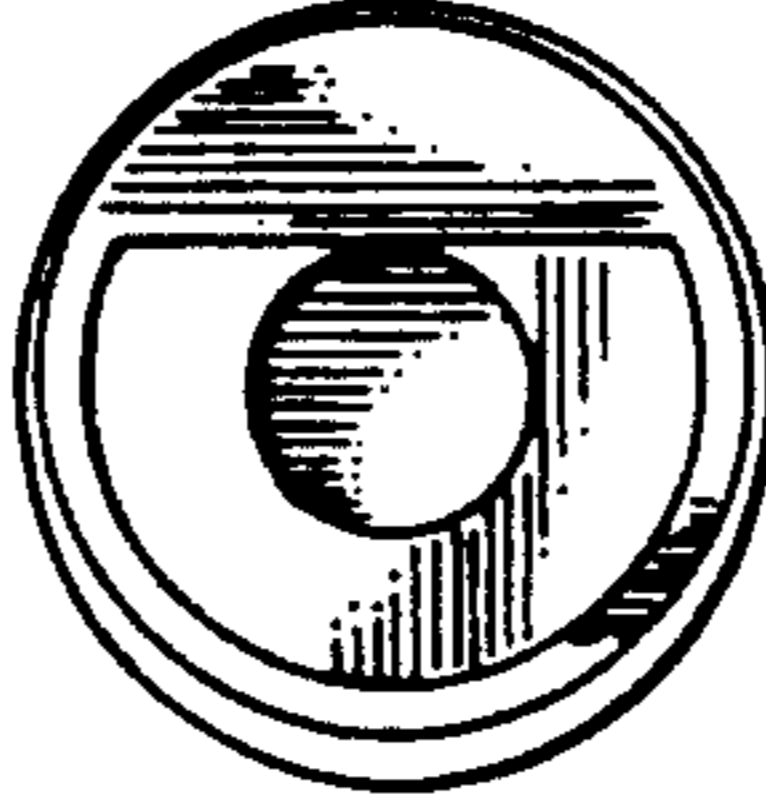
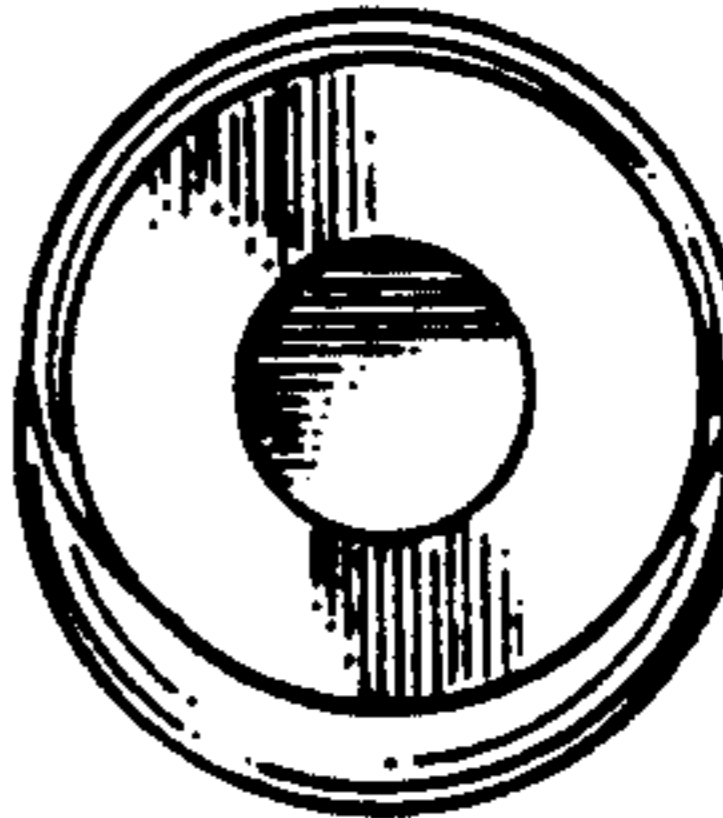


Fig. 4

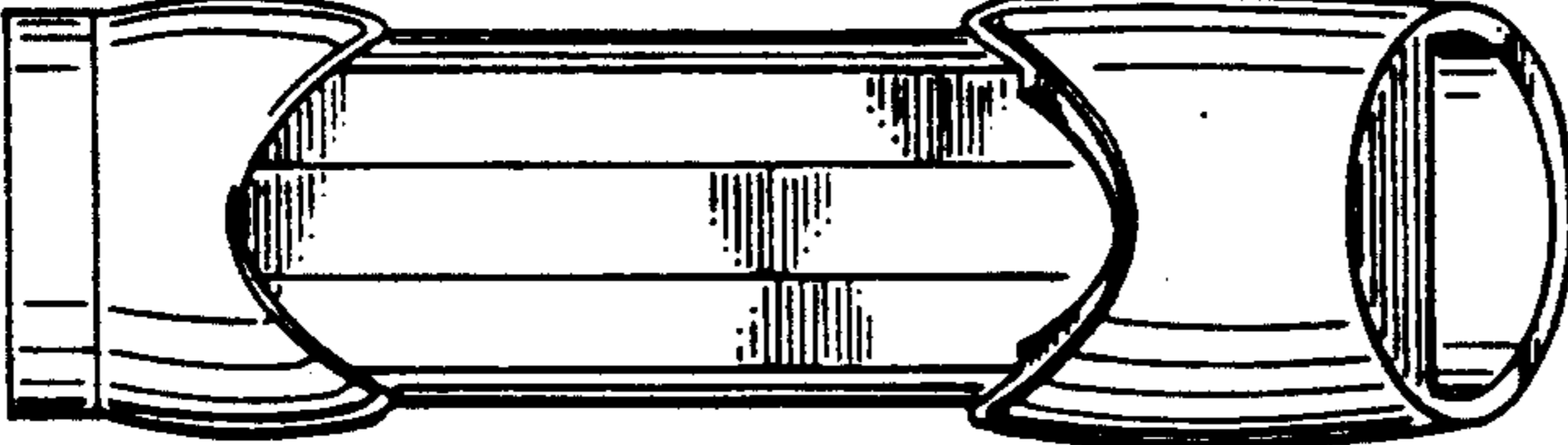


Fig. 5

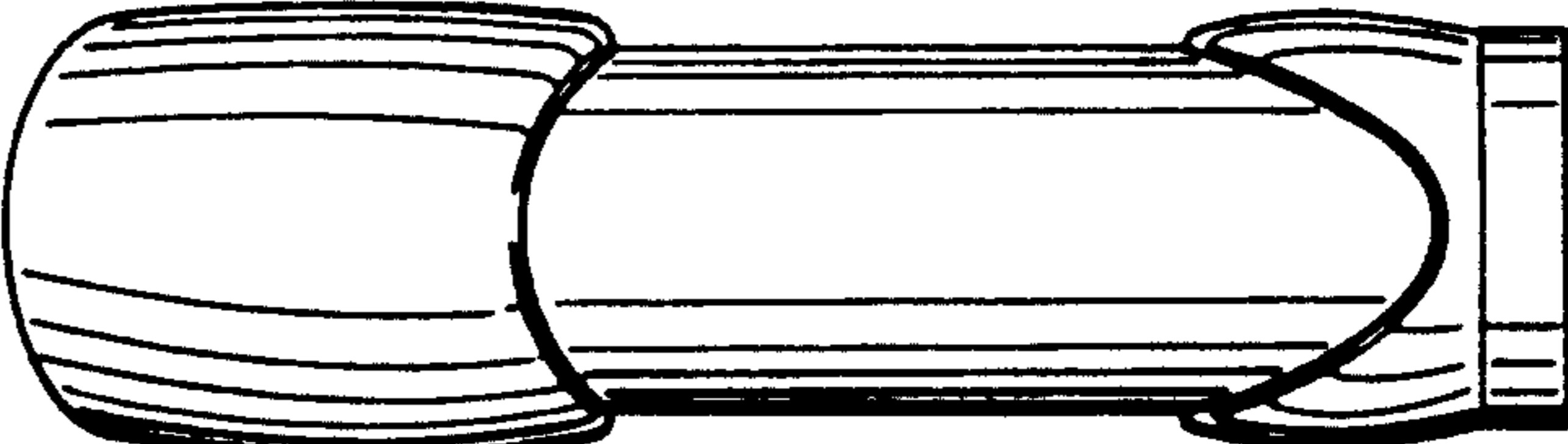
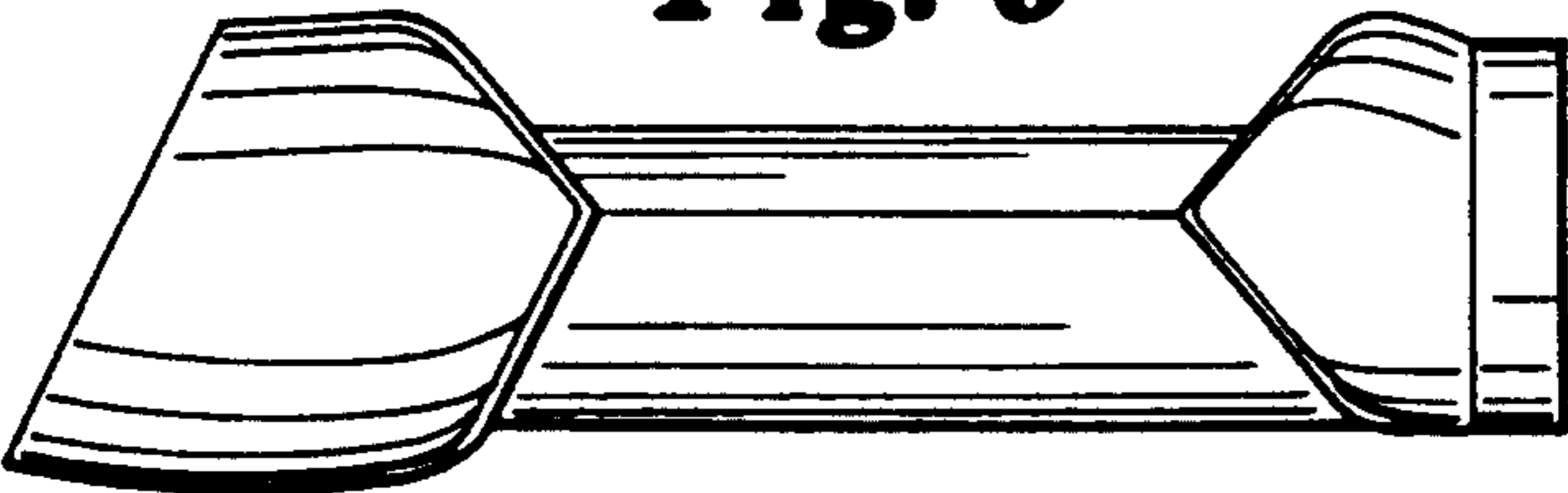


Fig. 6



UNITED STATES PATENT AND TRADEMARK OFFICE
CERTIFICATE OF CORRECTION

PATENT NO. : D341,408
DATED : November 16, 1993
INVENTOR(S) : Steven L. Grice

It is certified that error appears in the above-identified patent and that said Letters Patent is hereby corrected as shown below:

Title page, item [56] References Cited, the following should be inserted:

<u>Doc. #</u>	<u>Date</u>	<u>Name</u>	<u>Class</u>	<u>Subclass</u>
D265,496	07/82	McMickle	D22	142
D272,556	02/84	McMickle, et al	D22	142
D283,720	05/86	Benit	D22	142
D294,625	03/88	Rumbaugh, et al	D22	142
D294,626	03/88	Rumbaugh, et al	D22	142
D294,627	03/88	Rumbaugh	D22	142
D294,628	03/88	Rumbaugh	D22	142
D302,845	08/89	Rumbaugh, et al	D22	142

Signed and Sealed this
Twenty-fourth Day of May, 1994

Attest:



BRUCE LEHMAN

Attesting Officer

Commissioner of Patents and Trademarks