



US00D341407S

United States Patent [19] McLeese

[11] Patent Number: **Des. 341,407**
[45] Date of Patent: **** Nov. 16, 1993**

[54] **PORTABLE STRUCTURE**

[76] Inventor: **Eddie S. McLeese**, 1811 Alabama St.,
Unit A, Huntington Beach, Calif.
92648

[**] Term: **14 Years**

[21] Appl. No.: **785,682**

[22] Filed: **Oct. 31, 1991**

[52] U.S. Cl. **D21/253**

[58] Field of Search **D21/253, 254; D25/16;**
135/99, 102, 104, 105, 106

2,961,802	11/1960	Mongan	135/102
3,960,161	6/1976	Norman	135/104
3,990,463	11/1976	Norman	135/104
4,719,935	1/1988	Gustafson	135/102
4,858,634	8/1989	McLeese	135/102

Primary Examiner—Bernard Ansher
Assistant Examiner—R. Barkai
Attorney, Agent, or Firm—Lynn & Lynn

[57] **CLAIM**

The ornamental design of a portable structure, as shown and described.

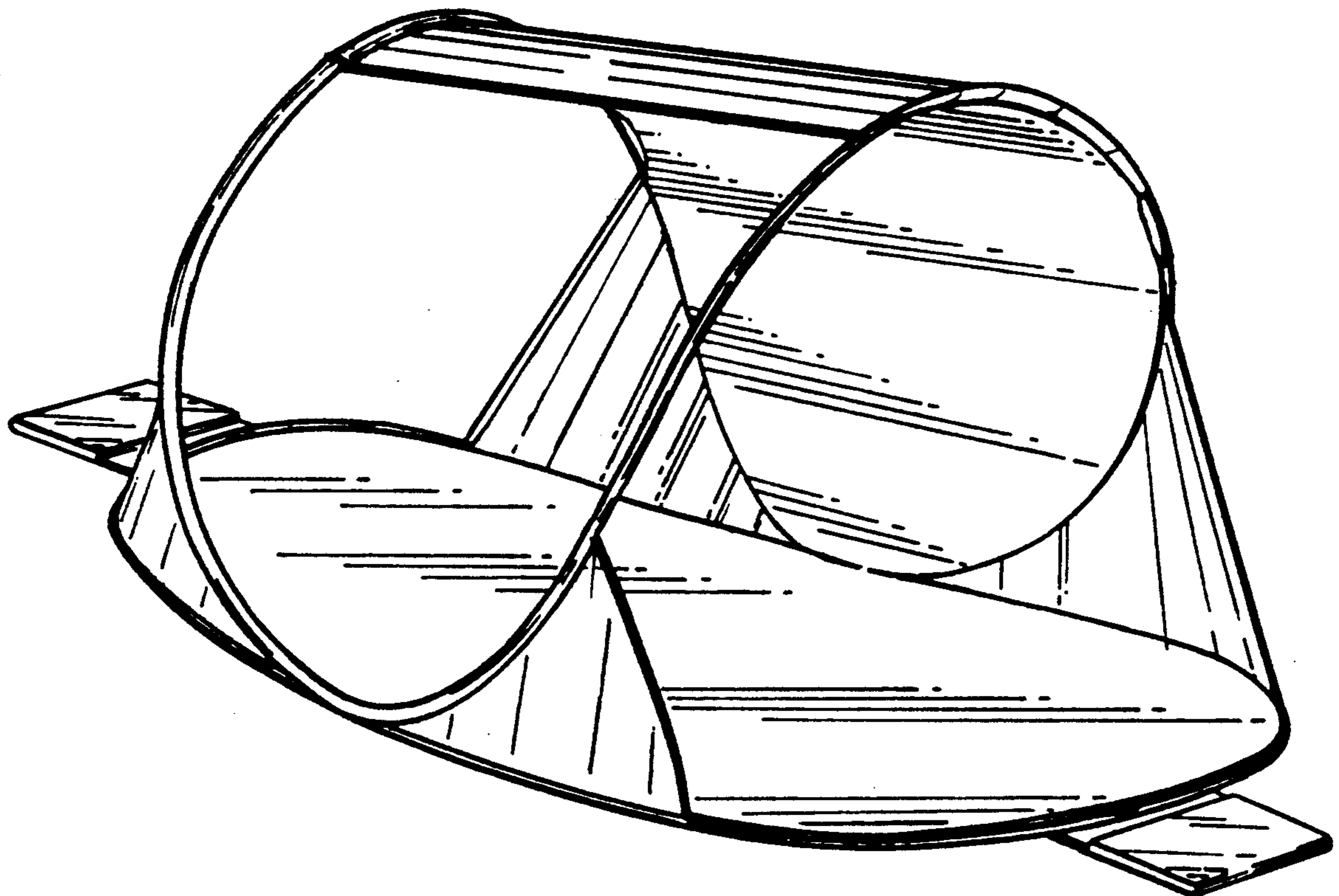
DESCRIPTION

FIG. 1 is an overall perspective view of the ornamental design of the portable structure;
FIG. 2 is a left side view thereof;
FIG. 3 is a top view thereof;
FIG. 4 is a right side view thereof; and,
FIG. 5 is a bottom view thereof.

[56] **References Cited**

U.S. PATENT DOCUMENTS

D. 203,428	1/1966	Tecton	D21/253
2,167,219	7/1939	Sankey	D21/253
2,193,469	3/1940	Ashton	135/102



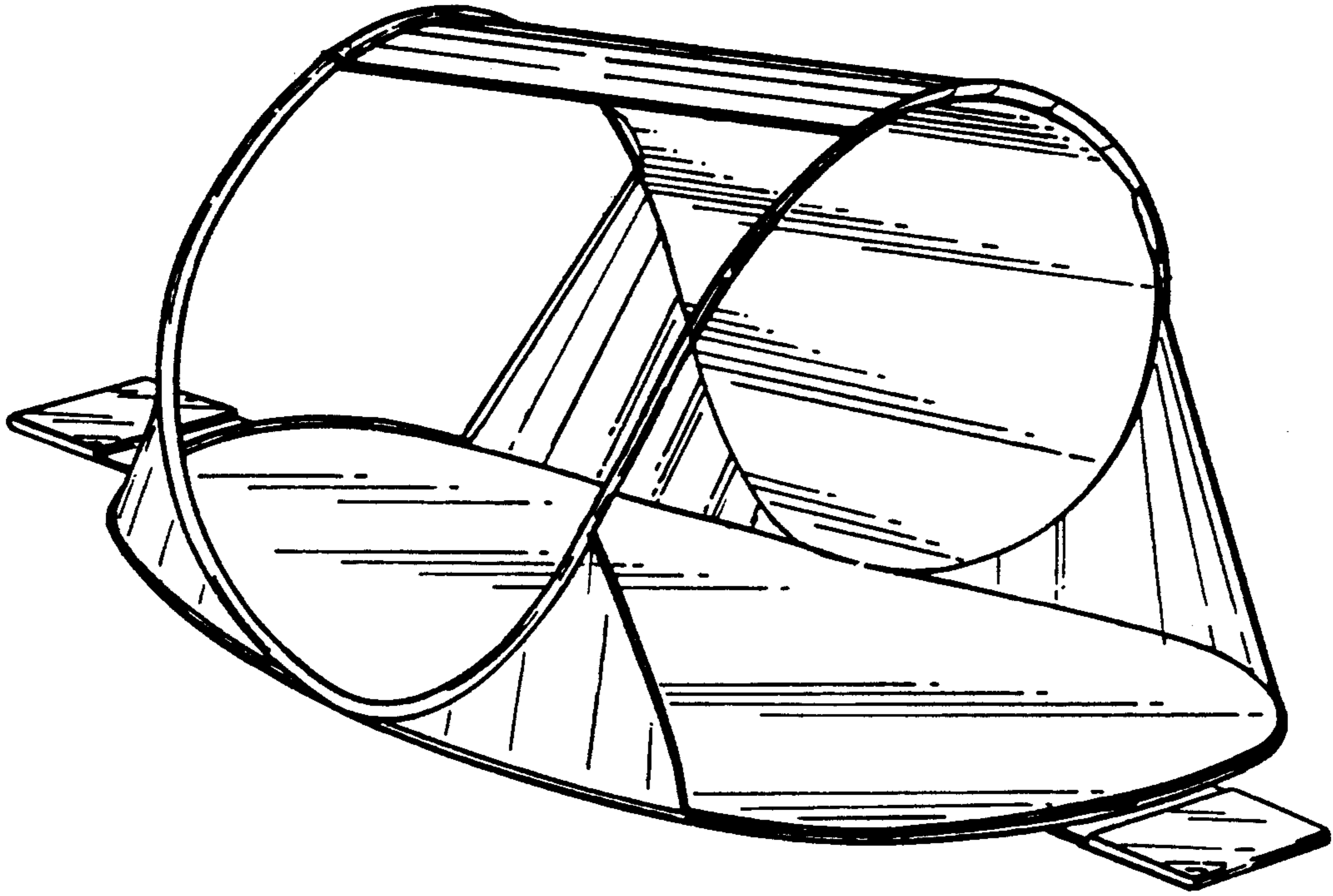


FIG. 1

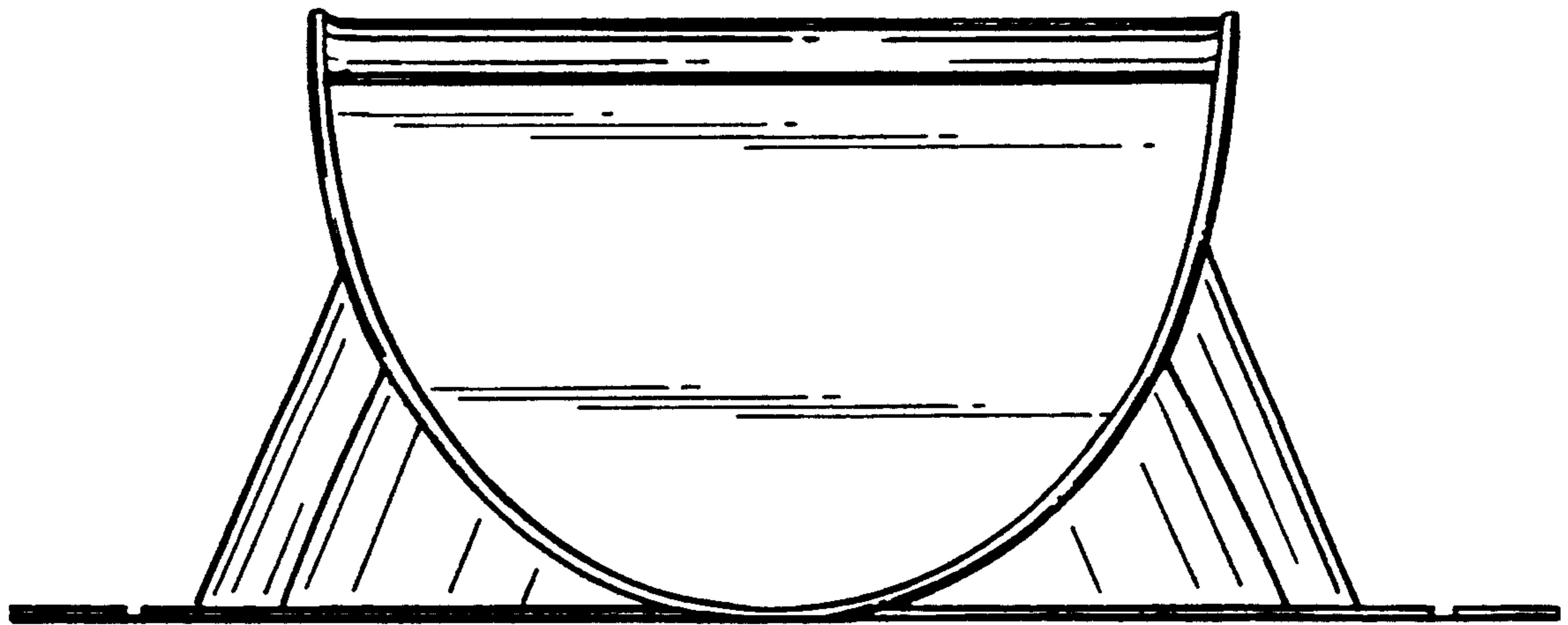


FIG. 2

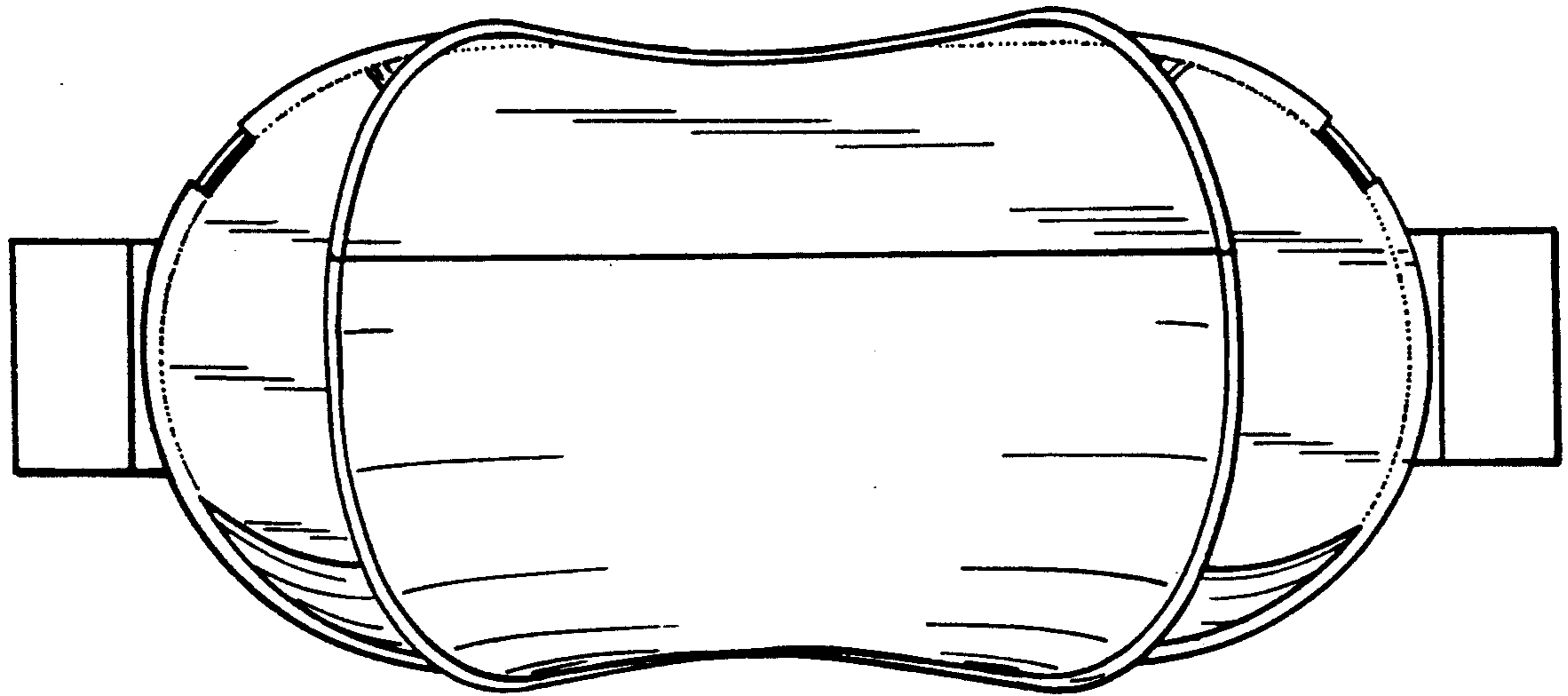


FIG. 3

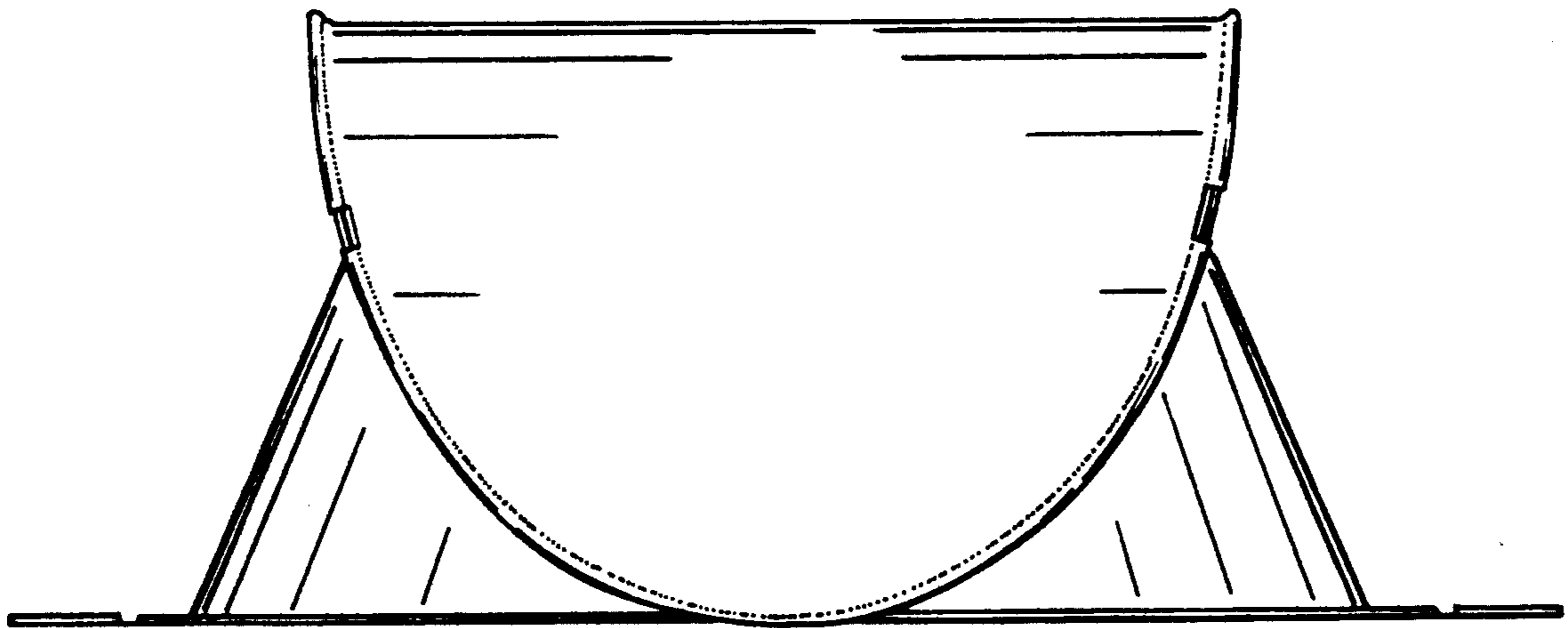


FIG. 4

FIG. 5

