



US00D341401S

# United States Patent [19]

[11] Patent Number: **Des. 341,401**

**Reichman**

[45] Date of Patent: **\*\* Nov. 16, 1993**

[54] **THIGH EXERCISER**

4,023,796	5/1977	Kusmer .....	482/126
4,433,364	2/1984	Noble .....	482/126
4,465,276	8/1984	Cox .....	482/126
4,483,533	11/1984	Mangiapane .....	482/122

[75] Inventor: **Richard Reichman, Jamison, Pa.**

[73] Assignee: **Dynamic Classics, Ltd., New York, N.Y.**

[\*\*] Term: **14 Years**

*Primary Examiner*—Bernard Ansher  
*Assistant Examiner*—Philip Hyder  
*Attorney, Agent, or Firm*—Amster, Rothstein & Ebenstein

[21] Appl. No.: **926,228**

[22] Filed: **Aug. 6, 1992**

[52] U.S. Cl. .... **D21/191; D21/198**

[58] Field of Search ..... **D21/191, 198; 482/91, 482/121, 122, 126, 127**

## [57] CLAIM

The ornamental design for a thigh exerciser, as shown and described.

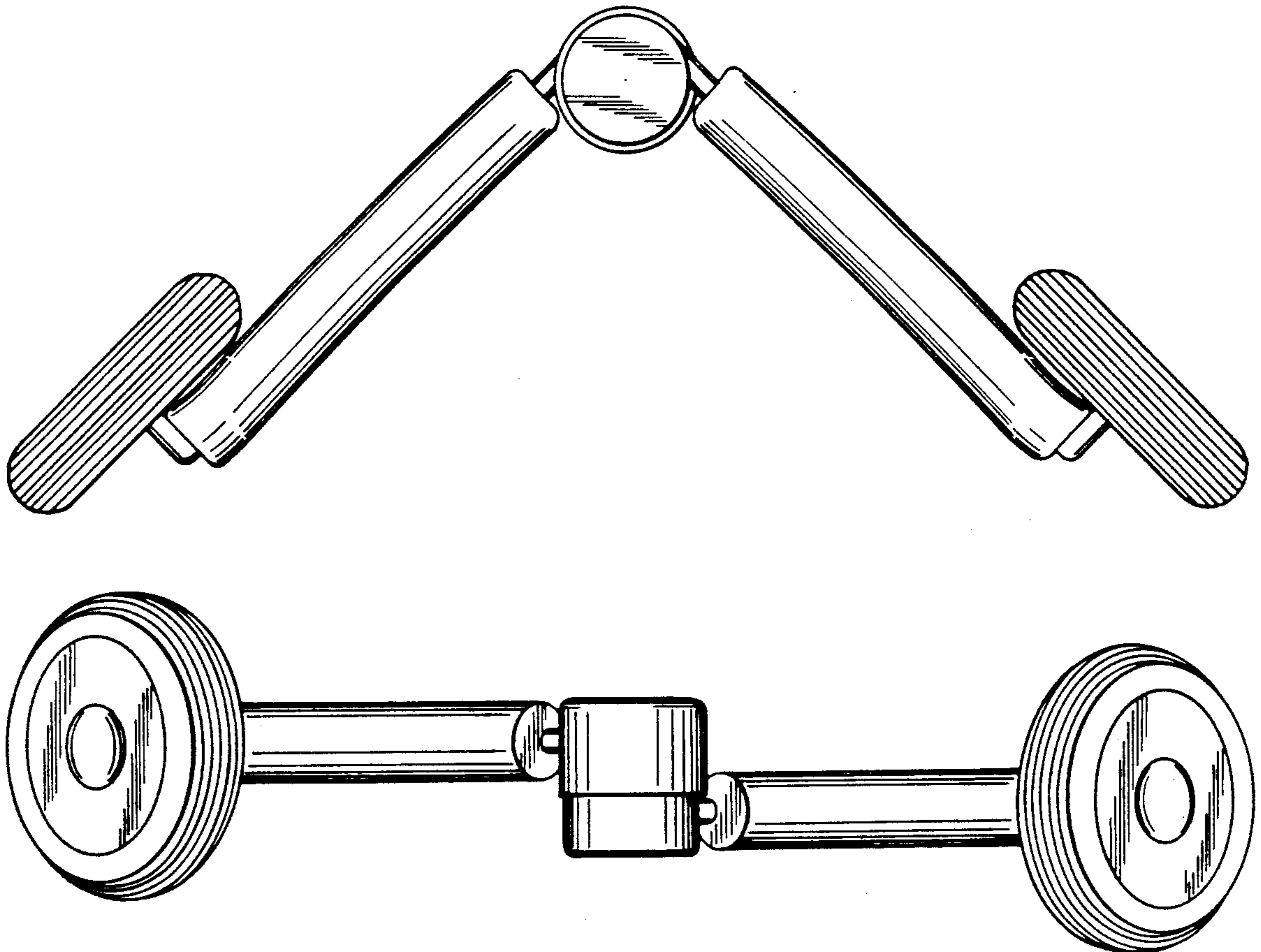
## DESCRIPTION

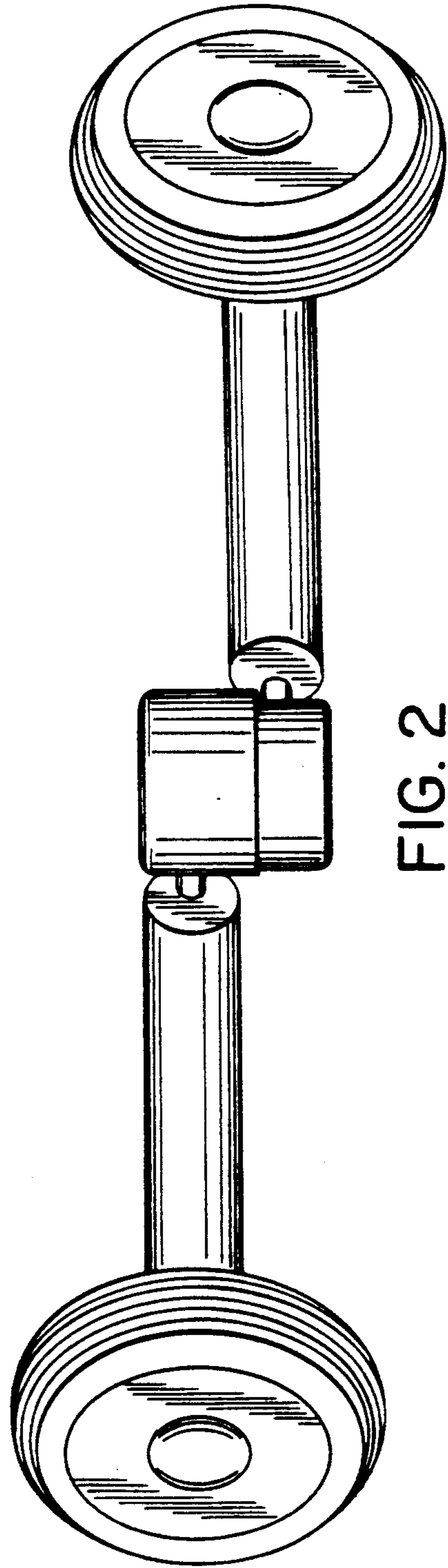
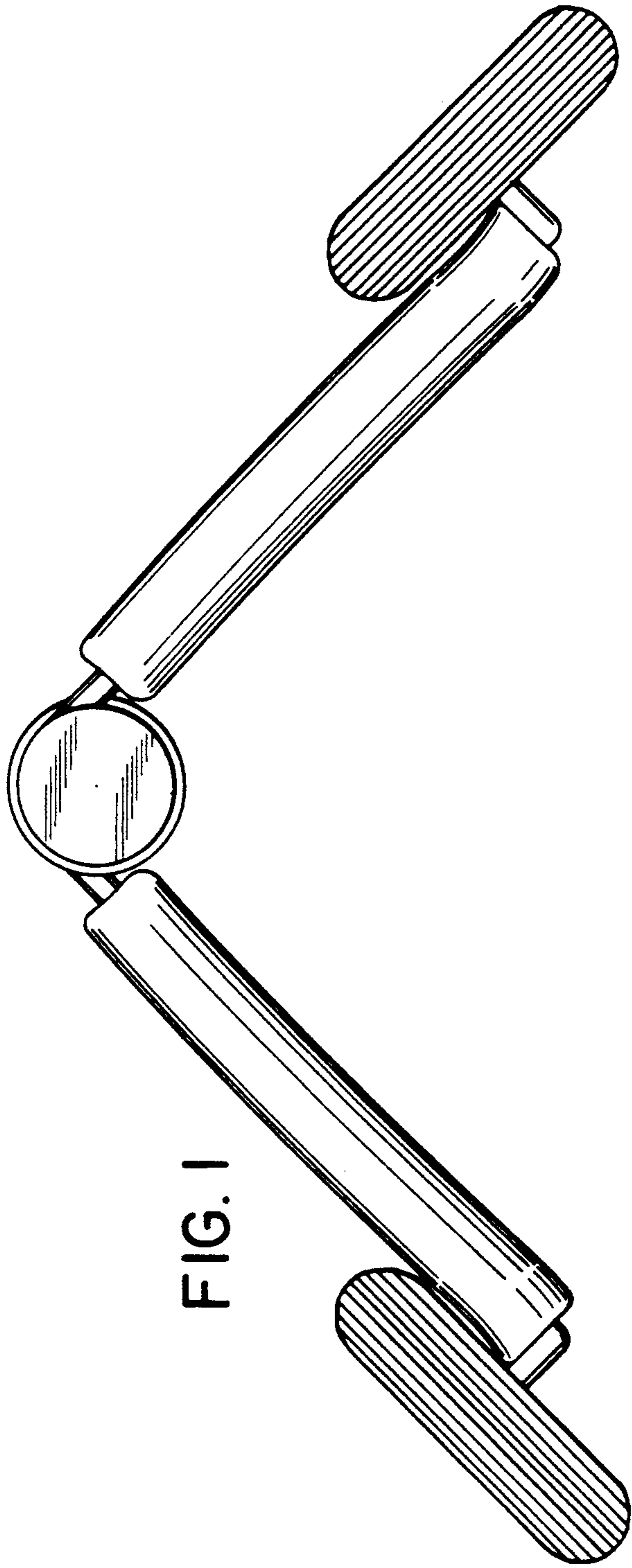
FIG. 1 is a front elevational view of a thigh exerciser showing my new design, the rear elevational view being a mirror image thereof;  
FIG. 2 is a top plan view thereof;  
FIG. 3 is a right side elevational view thereof, the left side being a mirror image thereof; and,  
FIG. 4 is a bottom plan view thereof.

## [56] References Cited

### U.S. PATENT DOCUMENTS

D. 208,787	10/1967	Bennstrom-Prescott .....	D21/198
D. 277,593	2/1985	Terrian et al. ....	D21/198
D. 299,939	2/1989	Sandoval .....	D21/198
D. 322,827	12/1991	Bennstrom et al. ....	D21/198
4,022,463	5/1977	Scott, Jr. ....	482/122





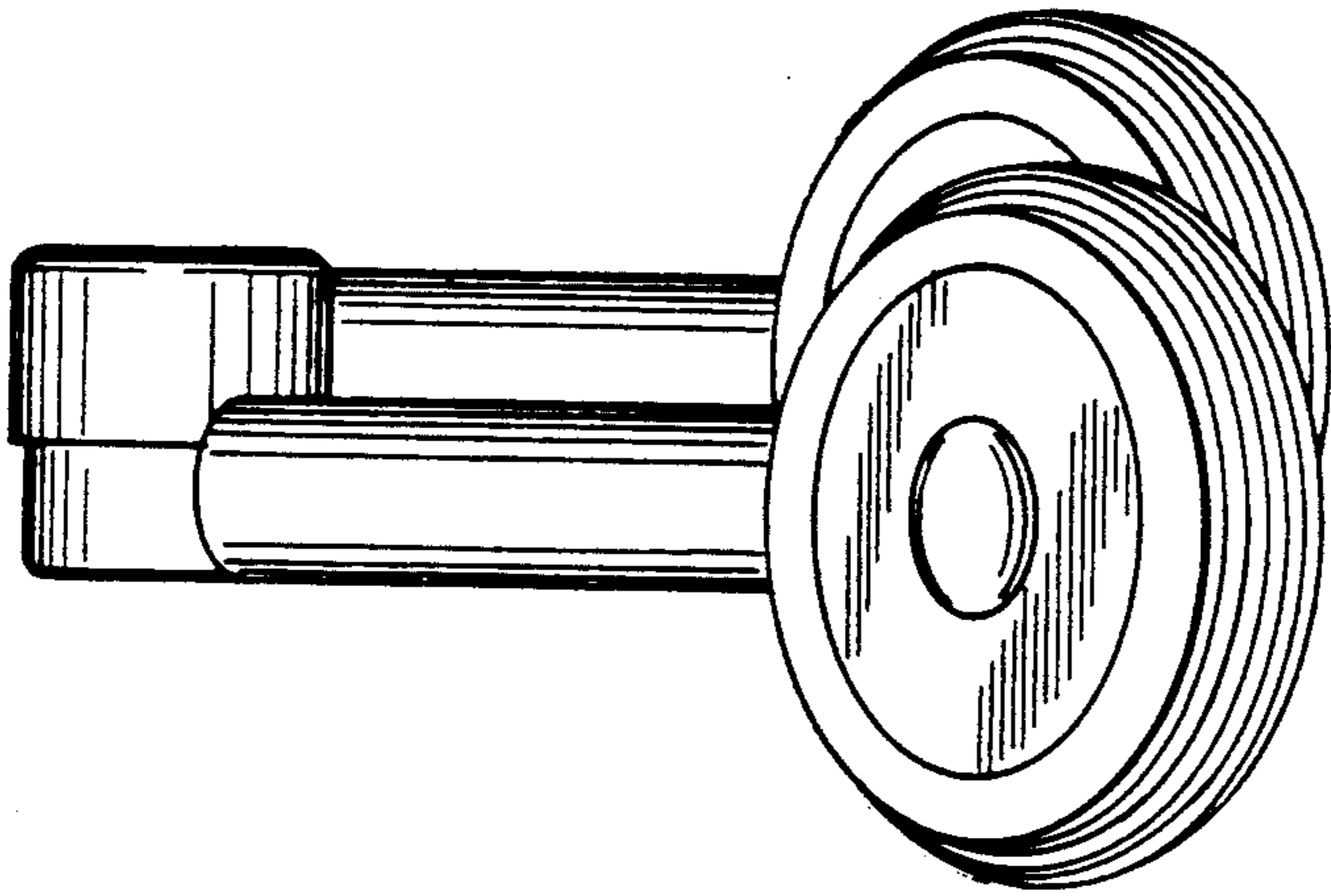


FIG. 3

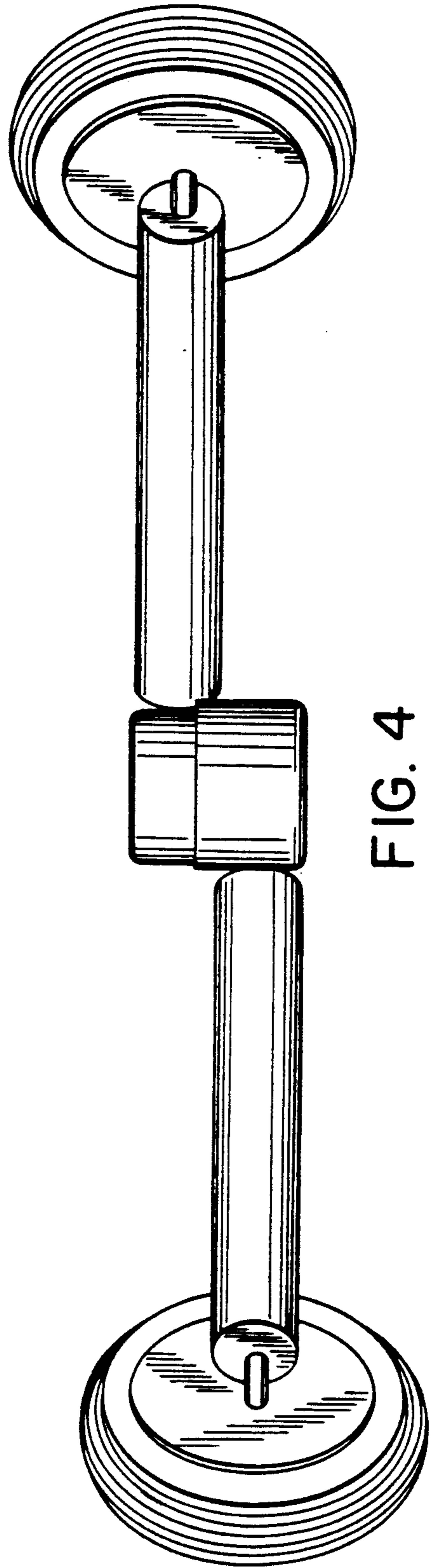


FIG. 4