



US00D341396S

United States Patent [19]

[11] Patent Number: **Des. 341,396**

Salmon et al.

[45] Date of Patent: **** Nov. 16, 1993**

[54] **WATER GUN WITH HANDLE PUMP AND REARWARD TANK**

4,257,460 3/1981 Paranay 446/473
5,074,437 12/1991 D'Andrade 446/473
5,150,819 9/1992 Johnson 446/473

[76] Inventors: **Robert W. Salmon**, 180 Woodward Ave., Rutherford, N.J. 07070; **Bruce M. D'Andrade**, 3 Ten Eyck Rd., Whitehouse Sta., N.J. 08889

Primary Examiner—Bernard Ansher
Assistant Examiner—R. Barkai
Attorney, Agent, or Firm—Kenneth P. Glynn

[**] Term: **14 Years**

[57] **CLAIM**

[21] Appl. No.: **901,662**

The ornamental design for a water gun with handle pump and rearward tank, as shown and described.

[22] Filed: **Jun. 19, 1992**

DESCRIPTION

[52] U.S. Cl. **D21/147**
[58] Field of Search **D21/145, 146, 147;**
D23/225; 446/267, 473; 222/78, 79; 239/211,
329, 337, 373

FIG. 1 is a front elevational view of a water gun with handle pump and rearward tank showing our new design;

FIG. 2 is a rear elevational view thereof;

FIG. 3 is a left side elevational view thereof with the right side elevational view being a mirror image thereof;

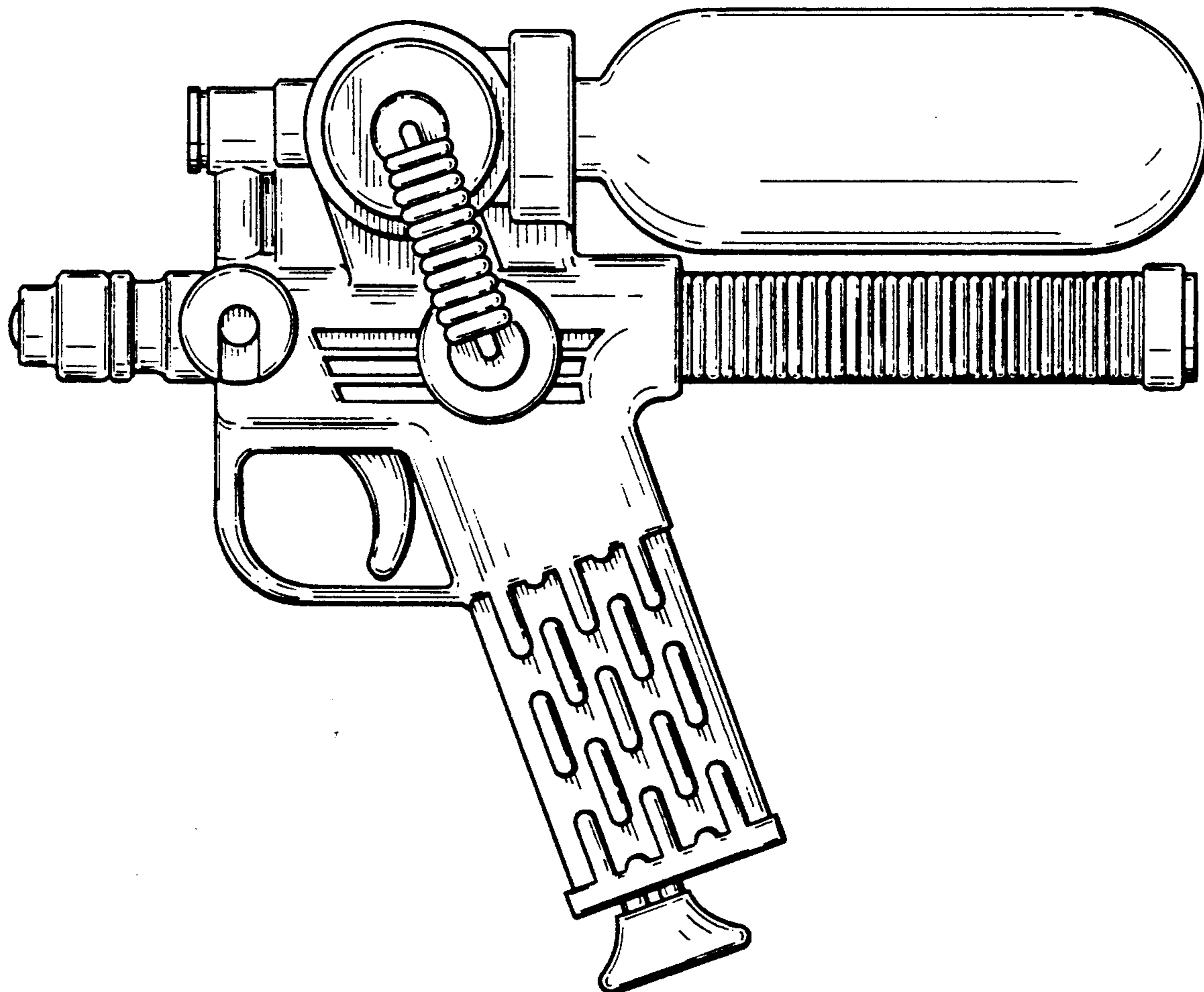
FIG. 4 is a top plan view thereof; and,

FIG. 5 is a bottom plan view thereof.

[56] **References Cited**

U.S. PATENT DOCUMENTS

D. 318,309 7/1991 D'Andrade D21/147
2,376,662 5/1945 Cohen 222/79



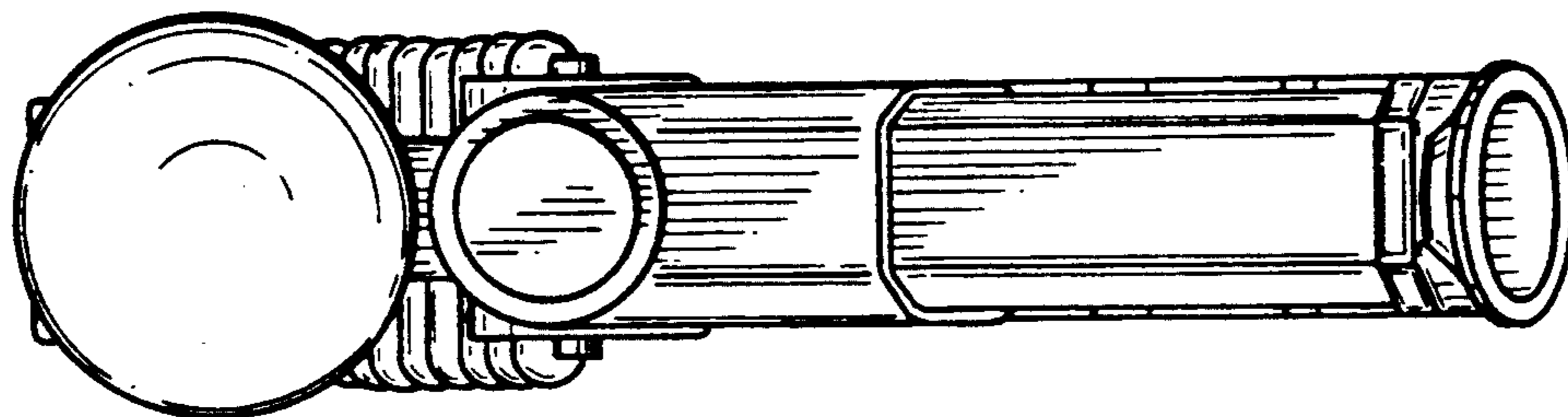


FIG-2

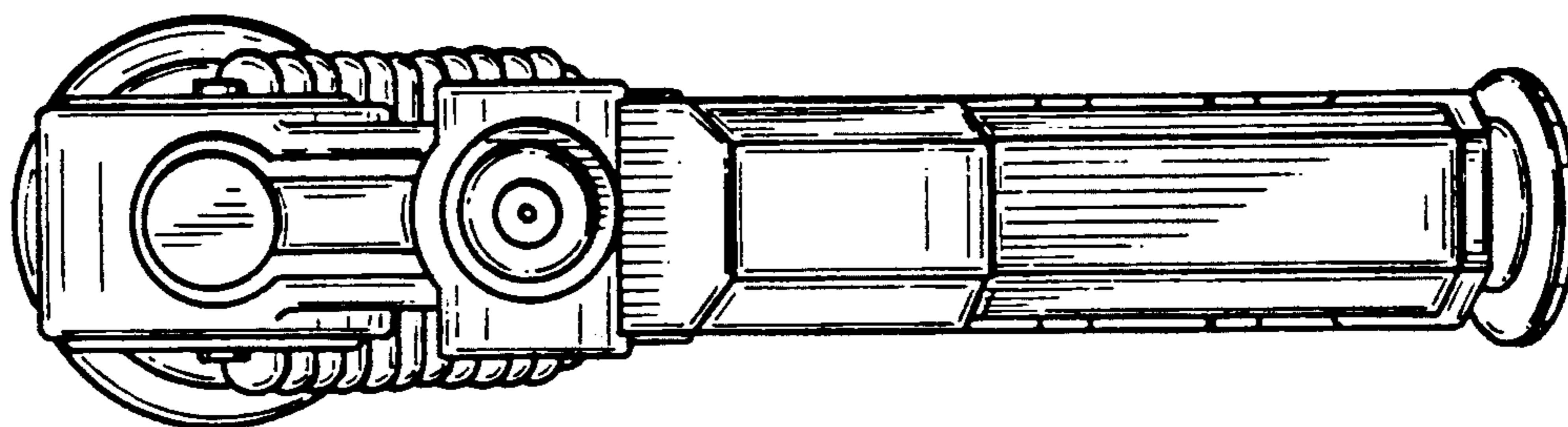


FIG-1

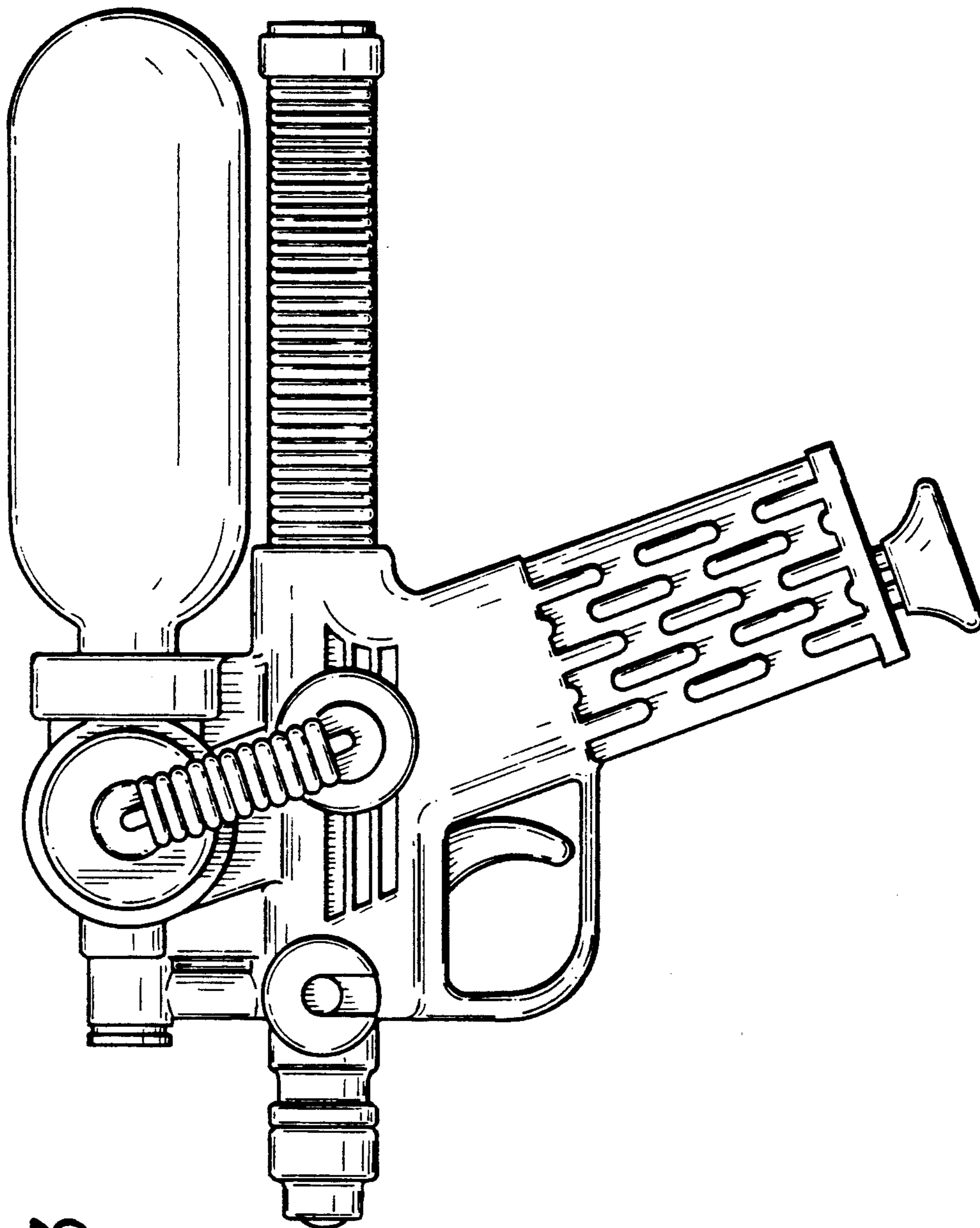


FIG-3

FIG-4

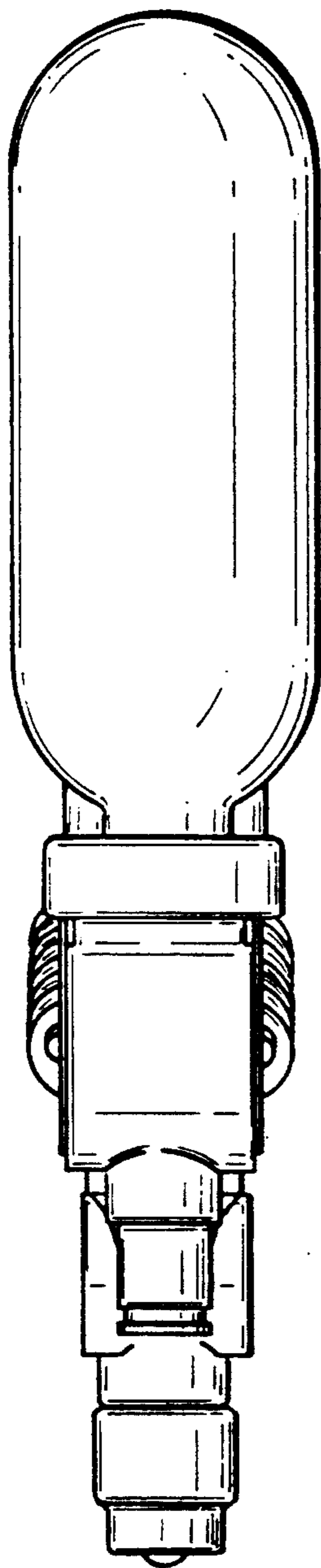


FIG-5

