



US00D341392S

United States Patent [19]

[11] Patent Number: **Des. 341,392**

Chazen et al.

[45] Date of Patent: **** Nov. 16, 1993**

[54] TOY VEHICLE

[75] Inventors: **David F. Chazen**, New York, N.Y.;
David C. Hyman, Hoboken, N.J.

[73] Assignee: **Good Stuff Corporation**, New York, N.Y.

[**] Term: **14 Years**

[21] Appl. No.: **885,224**

[22] Filed: **May 20, 1992**

[52] U.S. Cl. **D21/134**

[58] Field of Search **D21/76, 78, 131, 134,**
D21/136, 137; D12/91, 92; D2/30; 446/465, 7,
433, 462, 470, 471; 280/87.01; 296/107, 216;
180/190

[56] **References Cited**

U.S. PATENT DOCUMENTS

D. 248,119 6/1978 Nix **D21/134**

D. 259,797 7/1981 Merchant **D21/134**
D. 259,798 7/1981 Merchant **D21/134**
D. 277,494 2/1985 Lerch **D21/136**
D. 312,488 11/1990 Kwan **D21/134**
D. 330,736 11/1992 Silber **D21/78**

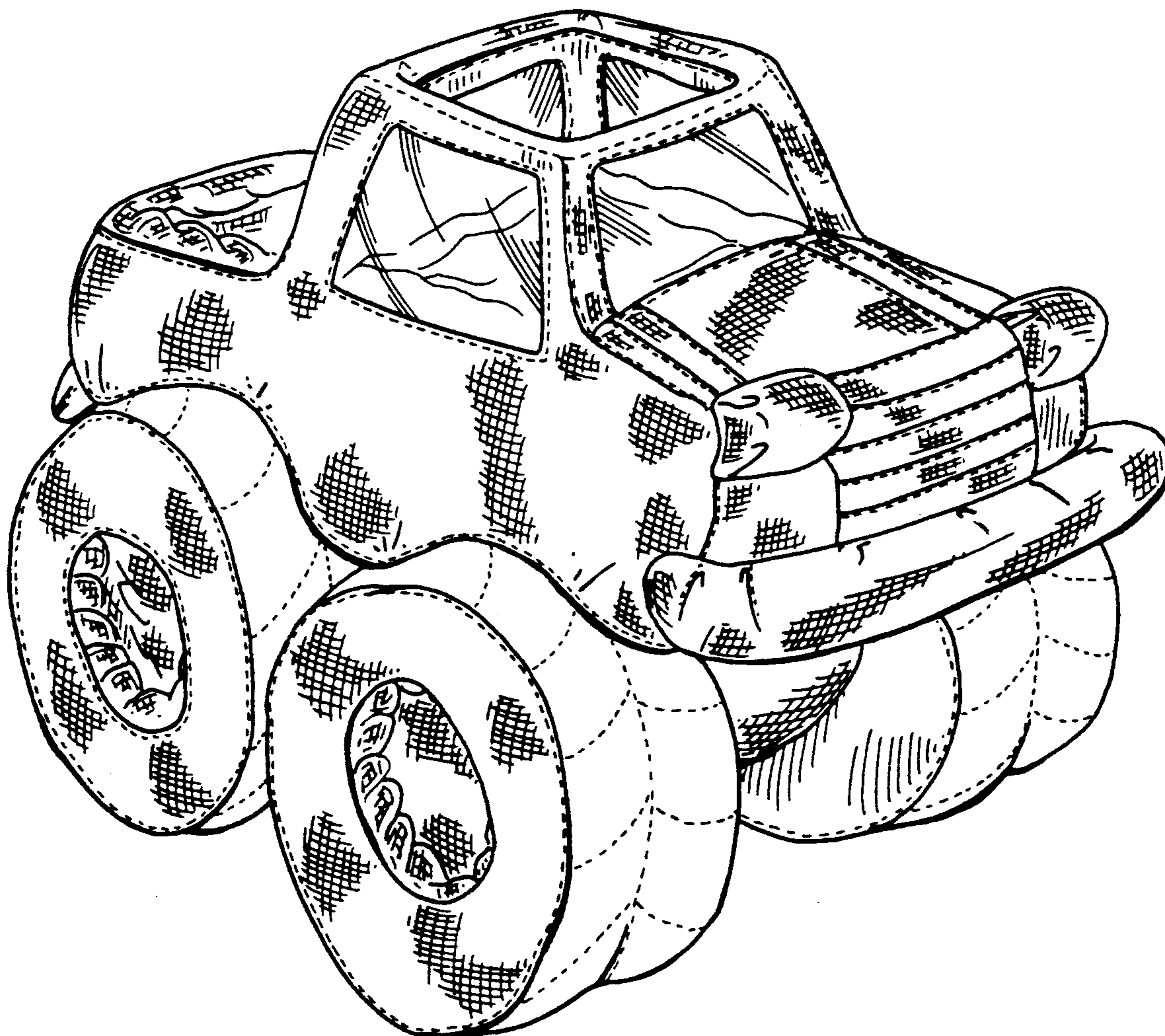
Primary Examiner—**Bernard Ansher**
Assistant Examiner—**R. Barkai**
Attorney, Agent, or Firm—**Robert J. Koch**

[57] CLAIM

The ornamental design for a toy vehicle, as shown and described.

DESCRIPTION

FIG. 1 is a side view of the toy vehicle design;
FIG. 2 is a front perspective view of the toy vehicle design;
FIG. 3 is a rear perspective view of the toy vehicle design;
FIG. 4 is a top view of the toy vehicle design; and,
FIG. 5 is a bottom view of the toy vehicle design.



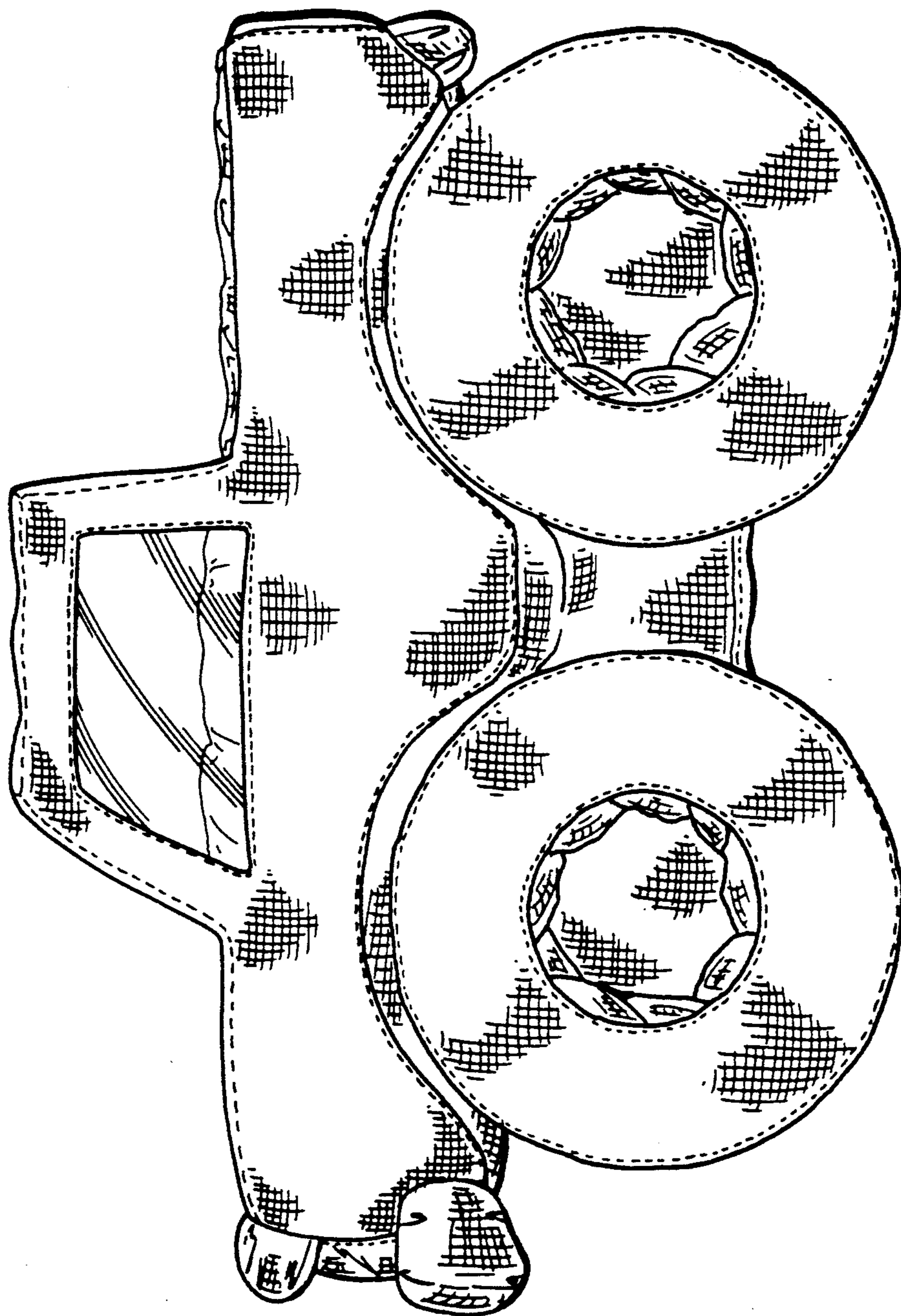


FIG. 1

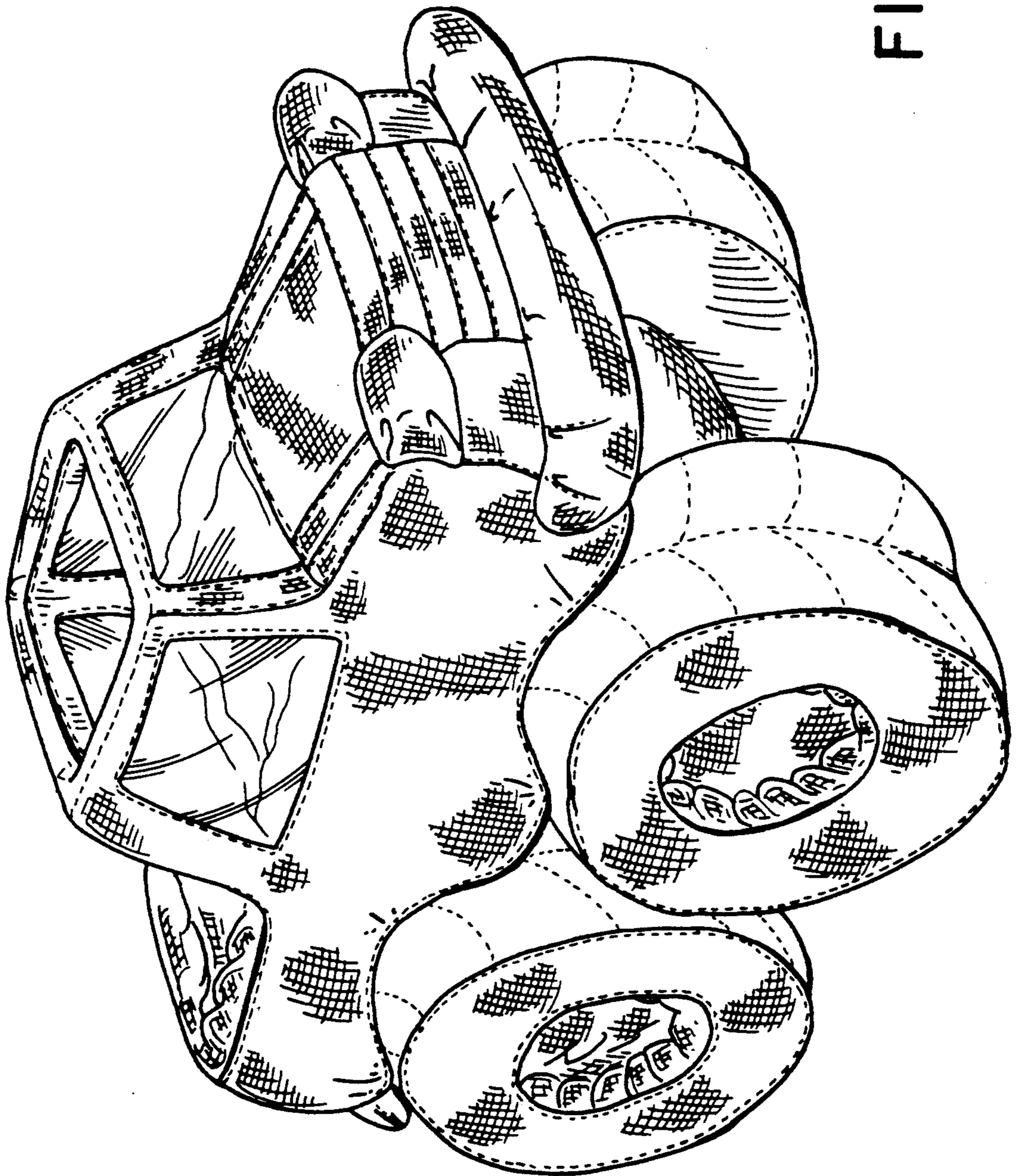
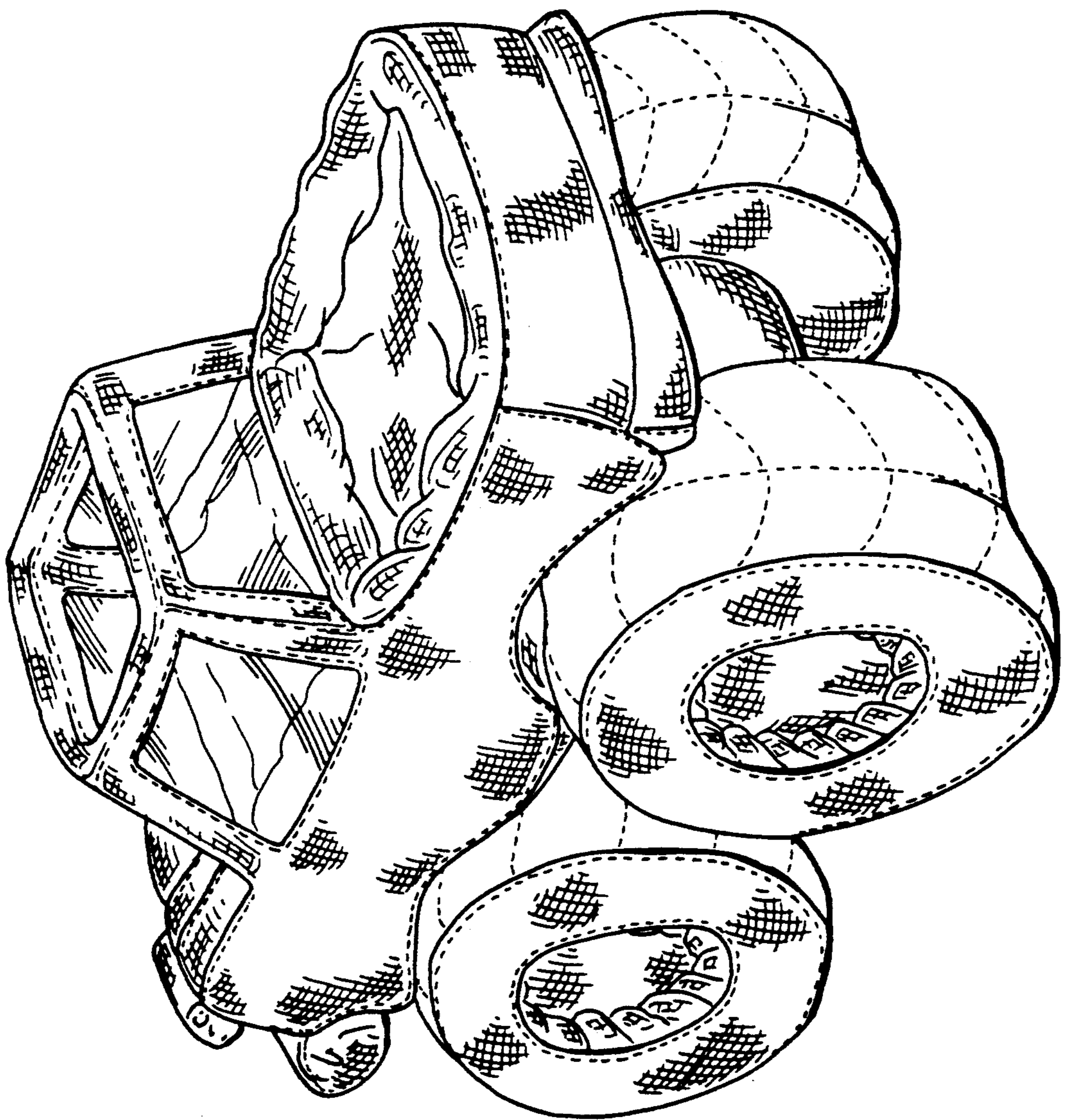


FIG. 2

FIG. 3



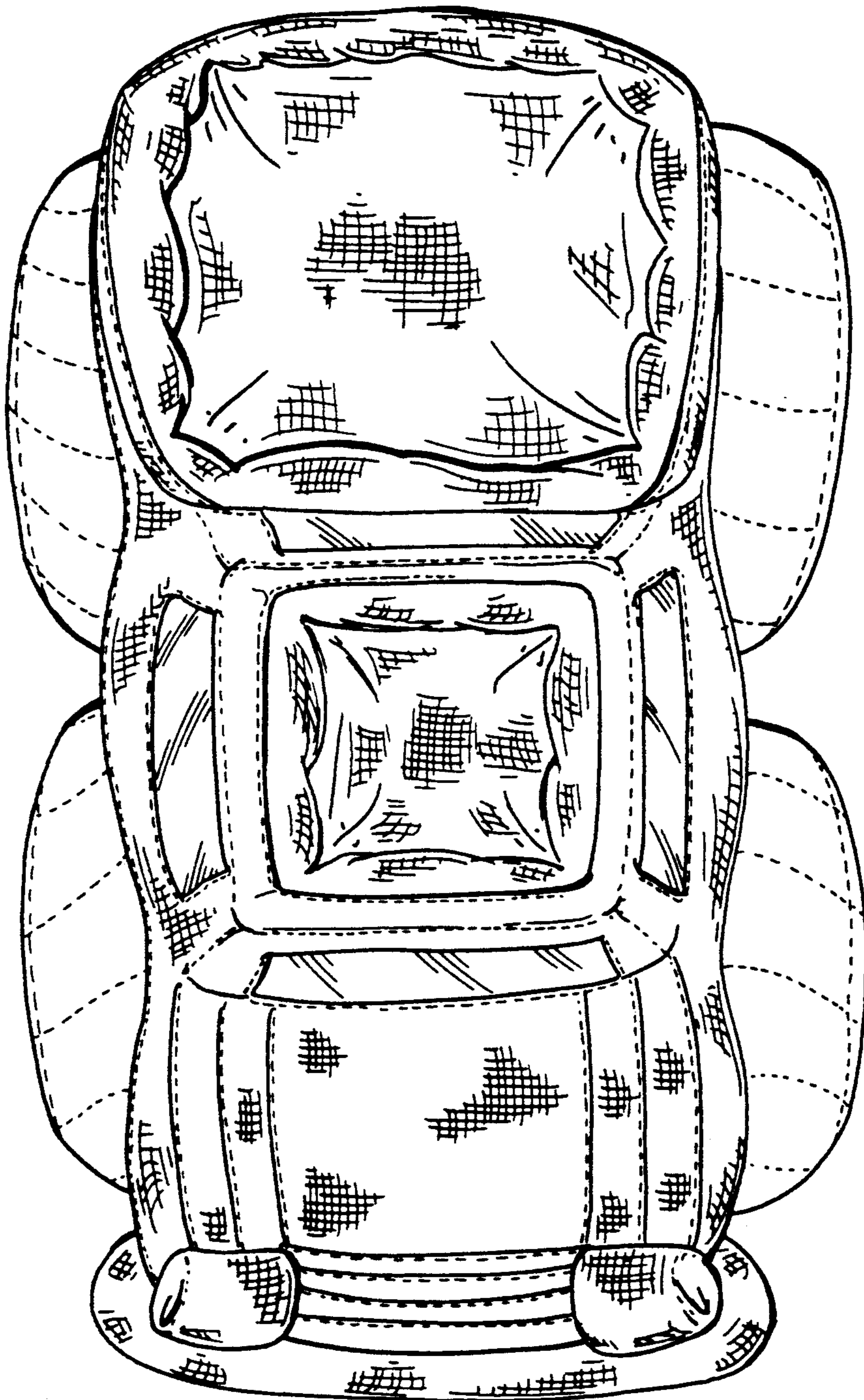


FIG. 4

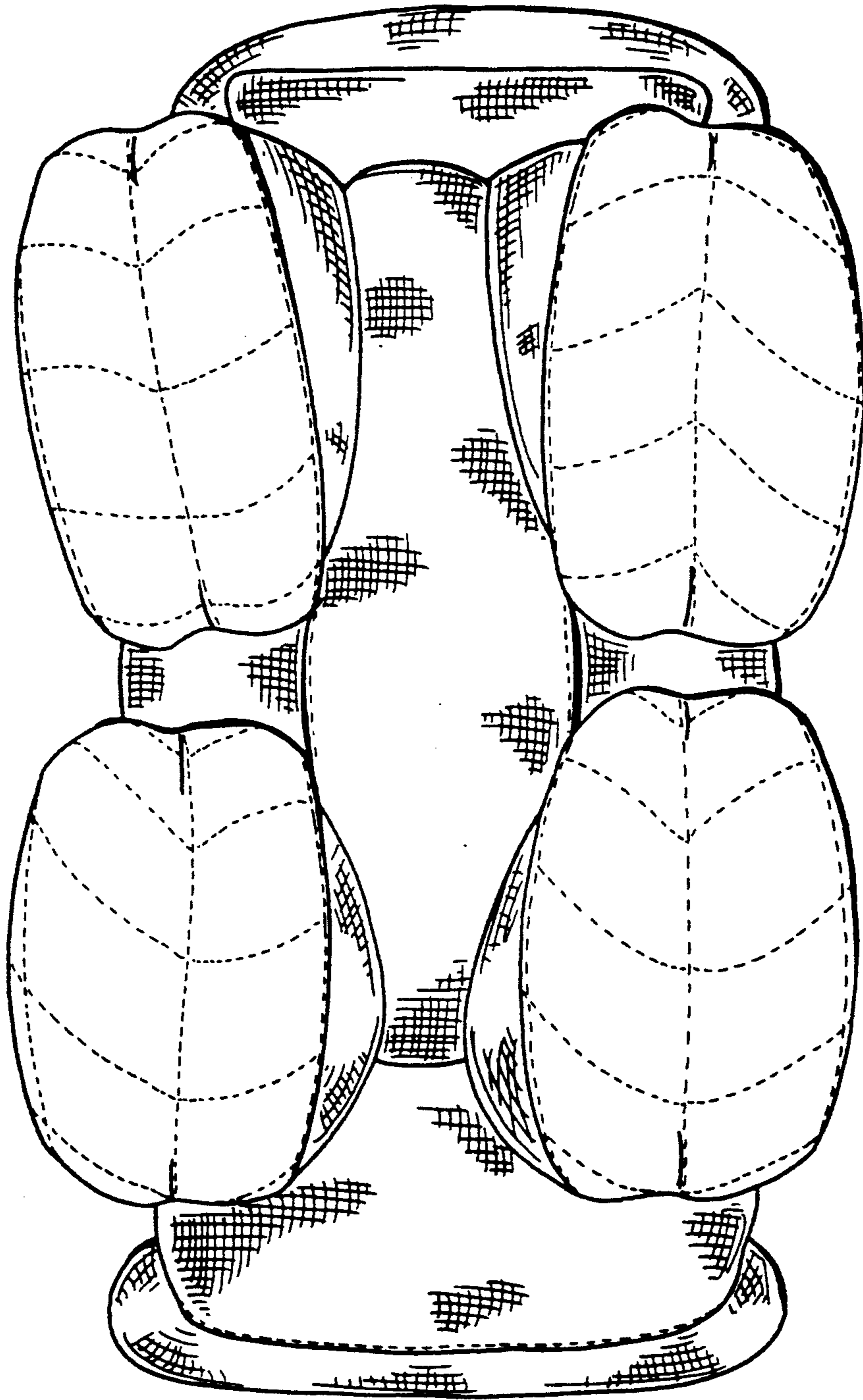


FIG. 5