



US00D341391S

United States Patent [19] Uchida

[11] Patent Number: **Des. 341,391**
[45] Date of Patent: **** Nov. 16, 1993**

[54] TOY VEHICLE

[75] Inventor: **Yoshie Uchida, Tokyo, Japan**

[73] Assignee: **Tomy Company, Ltd., Tokyo, Japan**

[**] Term: **14 Years**

[21] Appl. No.: **806,137**

[22] Filed: **Dec. 12, 1991**

[30] Foreign Application Priority Data

Jun. 14, 1991 [JP] Japan 3-17876

[52] U.S. Cl. **D21/129**

[58] Field of Search **D21/129, 143; D12/37; 446/90, 175, 227, 410, 441, 447, 455, 467; 104/118, 124, 125, DIG. 1; 105/141, 1.5, 29.2**

[56] References Cited

U.S. PATENT DOCUMENTS

D. 222,373 10/1971 Ichiro D21/129
D. 254,020 1/1980 Greenwood D21/129

D. 289,537 4/1987 Leung D21/129
D. 318,880 8/1991 Cheung D21/129
5,085,610 2/1992 Engel 446/447

OTHER PUBLICATIONS

Fisher Price Catalog '87 p. 63 bottom of page.

Primary Examiner—Bernard Ansher

Assistant Examiner—R. Barkai

Attorney, Agent, or Firm—Staas & Halsey

[57] CLAIM

The ornamental design for a toy vehicle, as shown and described.

DESCRIPTION

FIG. 1 is a front elevational view of a toy vehicle showing my new design;

FIG. 2 is a rear elevational view thereof;

FIG. 3 is a left side elevational view thereof;

FIG. 4 is a right side elevational view thereof;

FIG. 5 is a top plan view thereof; and,

FIG. 6 is a bottom plan view.

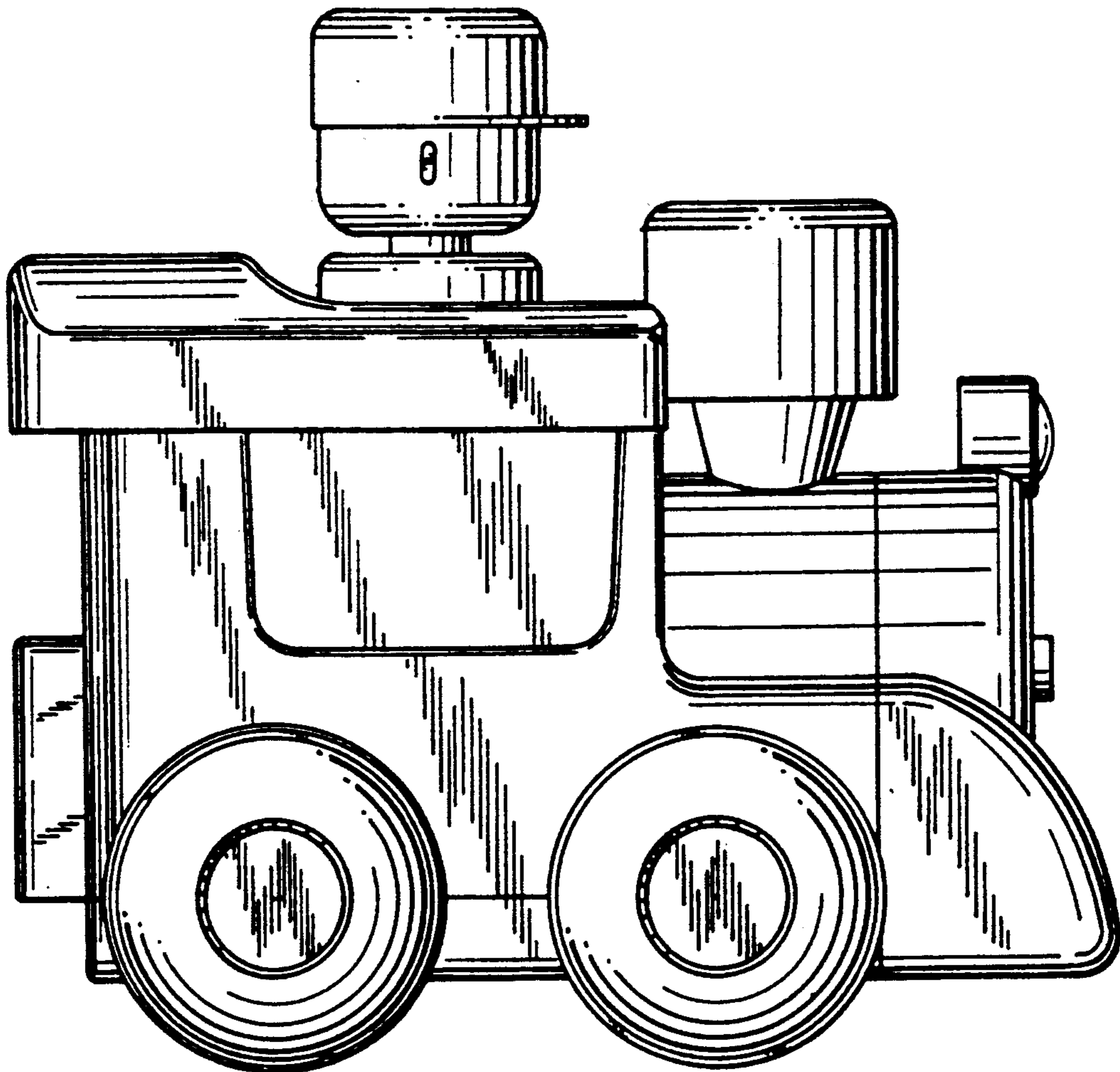


FIG. 1

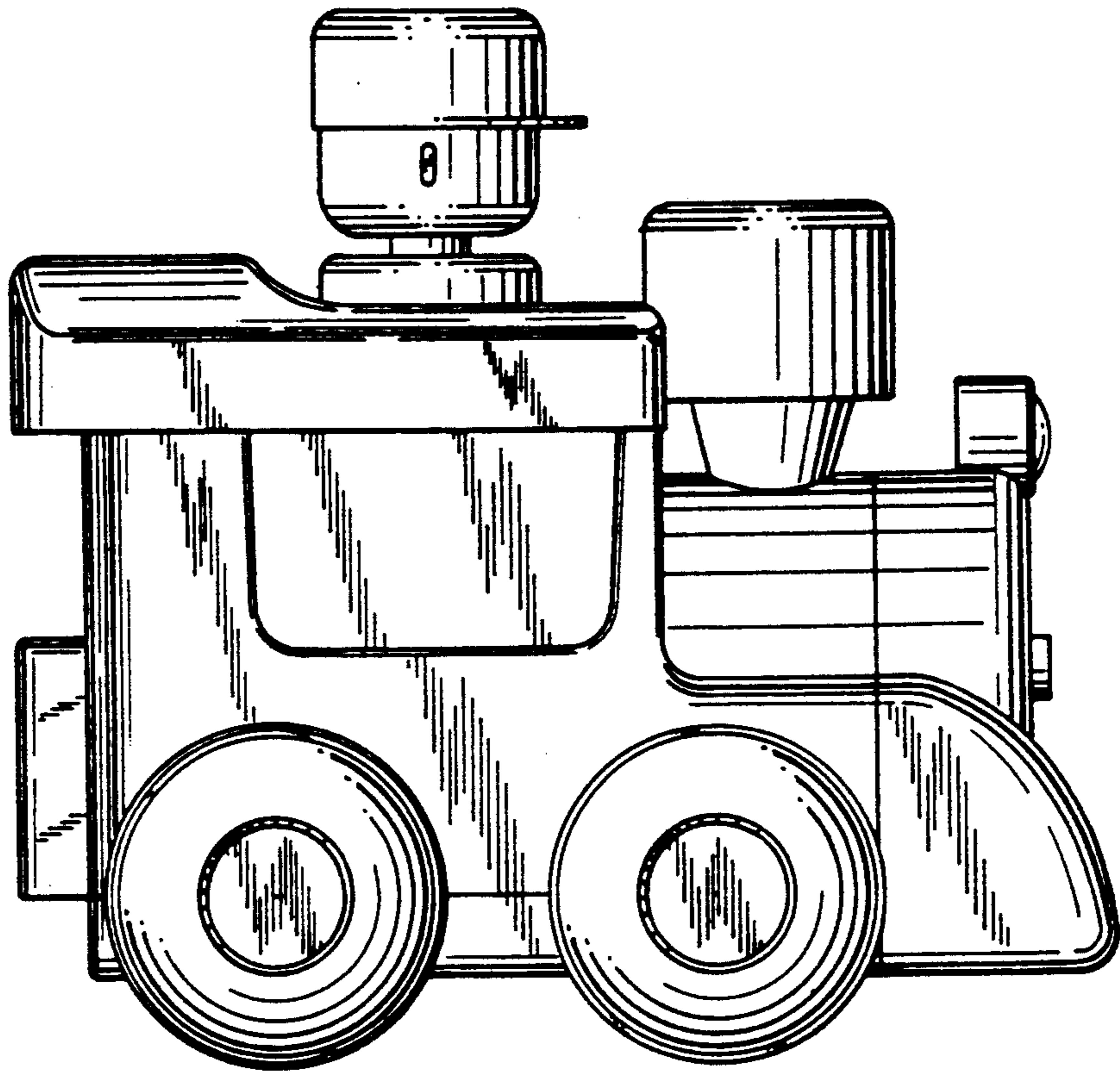


FIG. 2

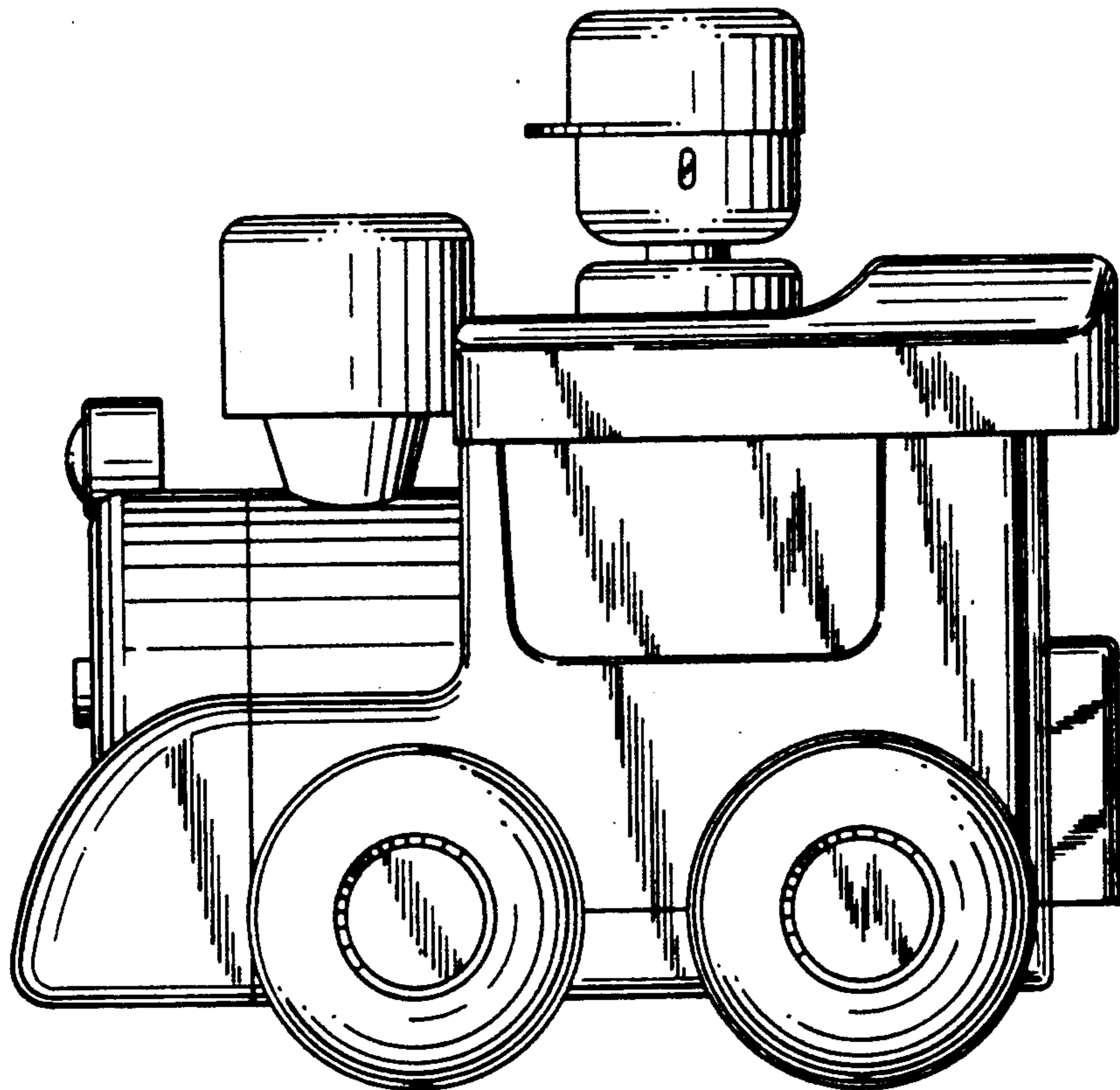


FIG. 3

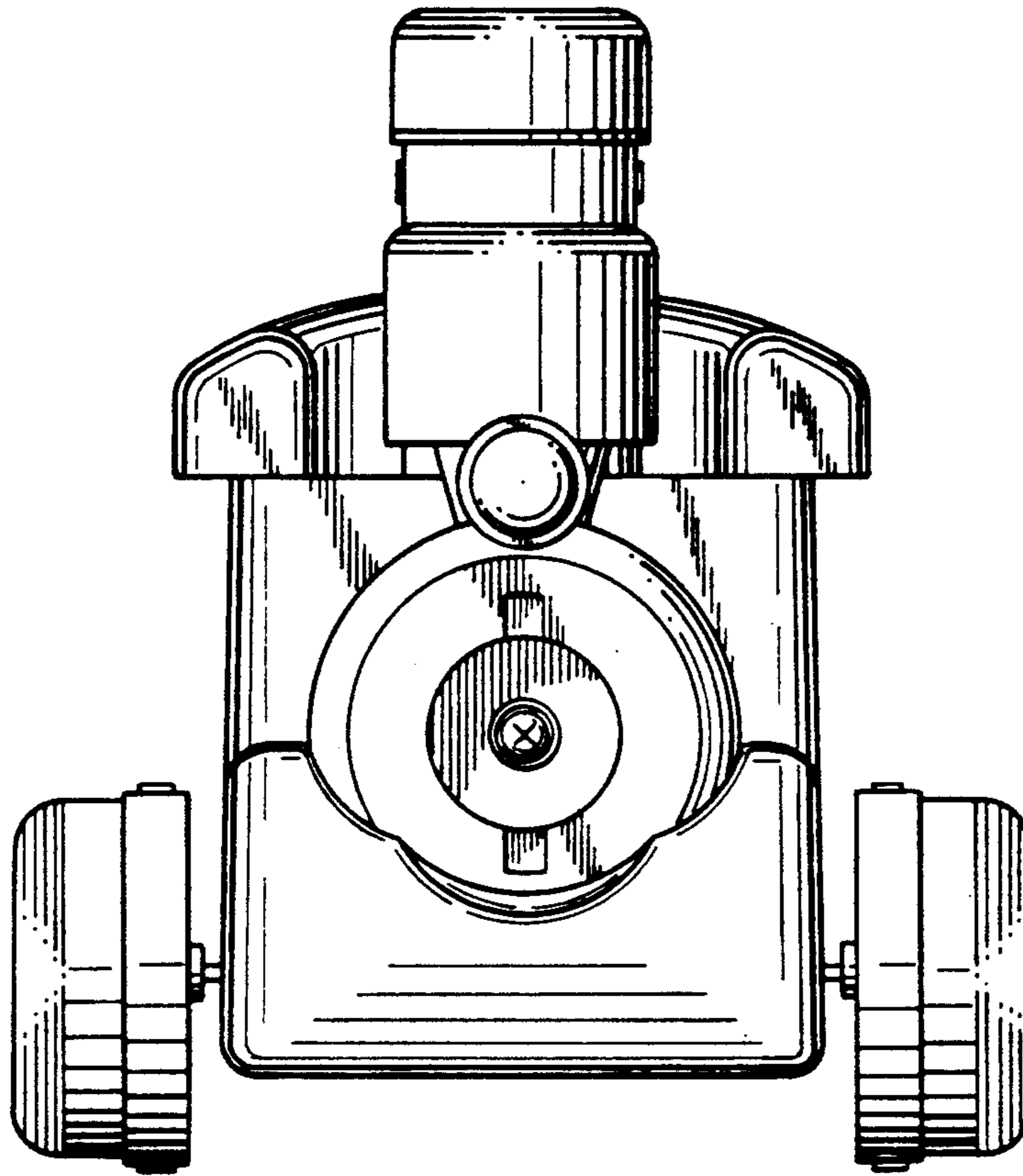


FIG. 4

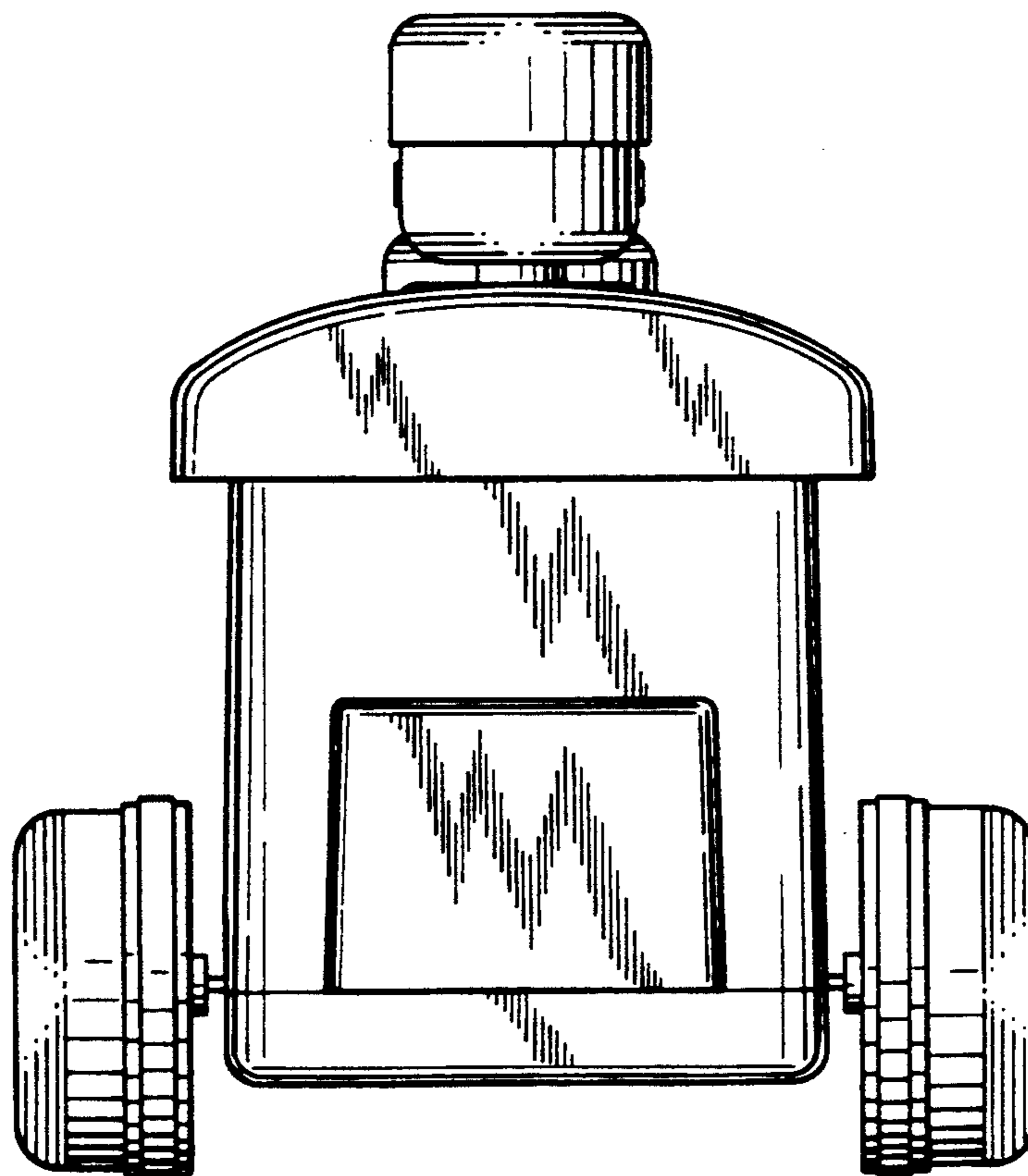


FIG. 5

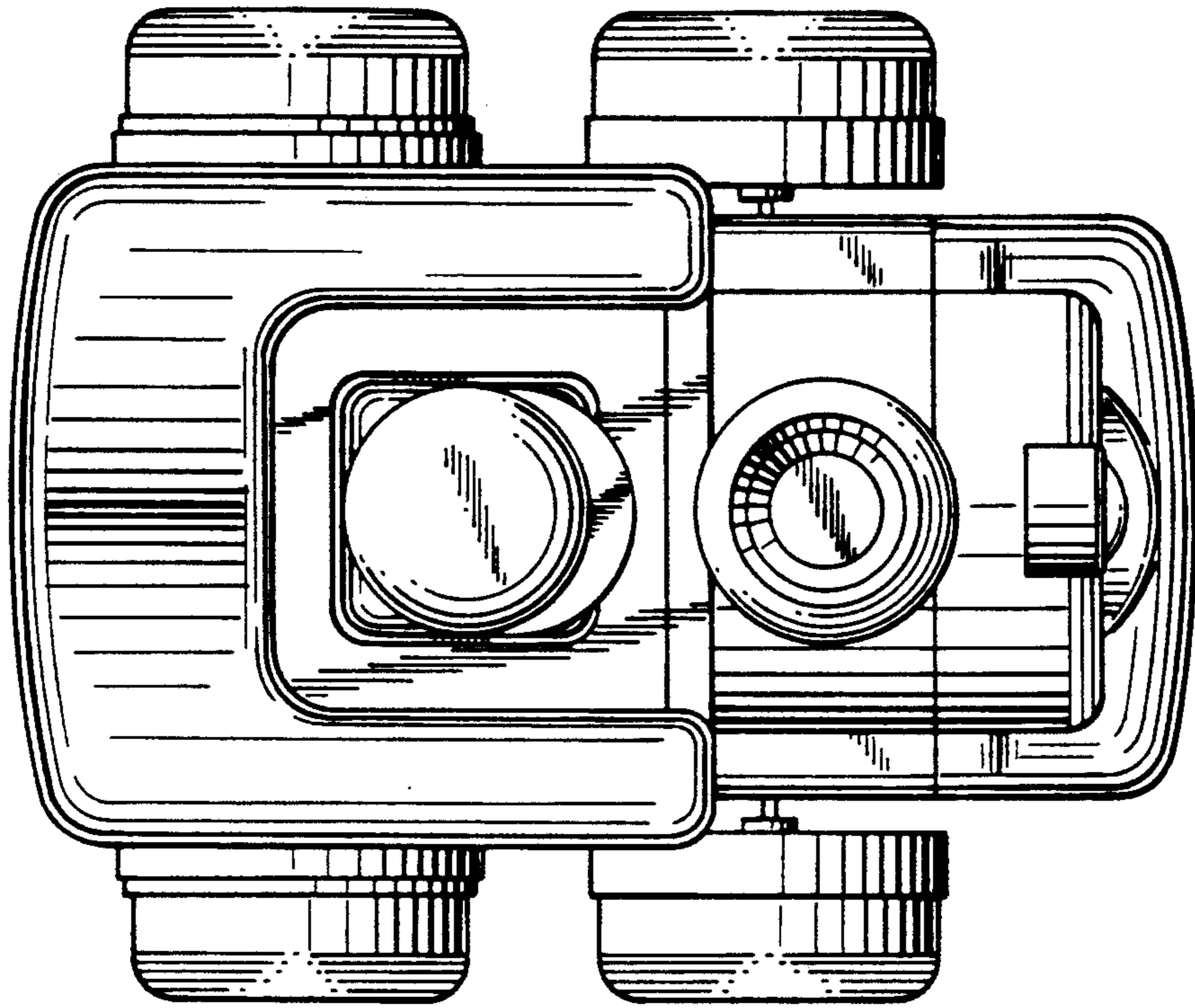


FIG. 6

