



US00D341387S

United States Patent [19]

[11] Patent Number: **Des. 341,387**

Koneval

[45] Date of Patent: **** Nov. 16, 1993**

[54] **COMBINED BINGO MARKER AND CAPS**

[57] **CLAIM**

[76] Inventor: **Jayne L. Koneval**, 3711 Cumberland Cir., Austintown, Ohio 44515

The ornamental design for a combined bingo marker and caps, as shown and described.

[**] Term: **14 Years**

DESCRIPTION

[21] Appl. No.: **727,152**

FIG. 1 is a side and end environmental perspective view of a combined bingo marker and caps showing my new design, the portion of the figure shown in broken lines representing a bingo card and user's hand and forming no part of the claimed design;

[22] Filed: **Jul. 9, 1991**

[52] U.S. Cl. **D21/51; D18/15; D19/51**

FIG. 2 is a side elevational view thereof with both caps installed, other elevational views being identical due to the symmetrical nature of the design;

[58] Field of Search **D18/15; D19/43; D9/338; D21/48, 51; 273/148 R; 401/130**

FIG. 3 is a top plan view thereof with cap installed, the bottom plan view being identical;

[56] **References Cited**

U.S. PATENT DOCUMENTS

D. 279,992	8/1985	Gribb	D19/43
D. 280,643	9/1985	Ichikawa	D18/15
D. 325,599	4/1992	Poisson	D19/43
D. 326,118	5/1992	Black	D21/51
D. 332,637	1/1993	Hesse	D18/15

FIG. 4 is a side elevational view thereof with one cap removed, other elevational views being identical due to the symmetrical nature of the design;

FIG. 5 is a top plan view thereof with one cap removed, the bottom plan view being identical to the view of FIG. 3;

Primary Examiner—Bernard Ansher
Assistant Examiner—Sandra Morris
Attorney, Agent, or Firm—Richard C. Litman

FIG. 6 is a side and end perspective view thereof showing one cap separated from the remainder of the design; and,

FIG. 7 is an end view of a cap interior.

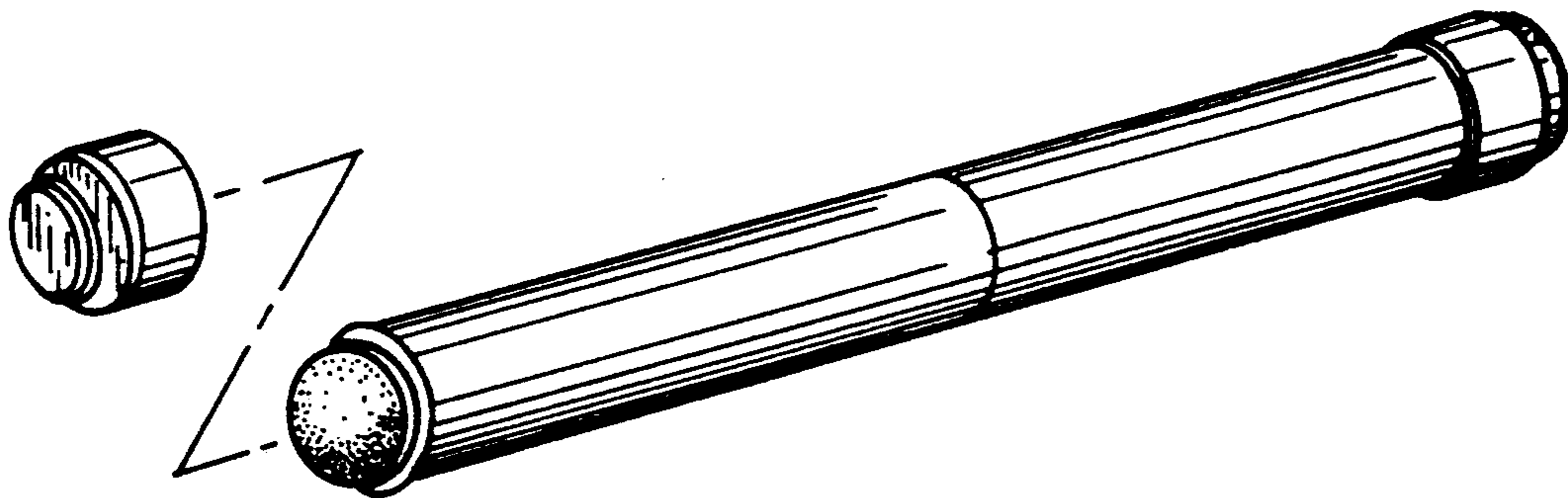


FIG. 1

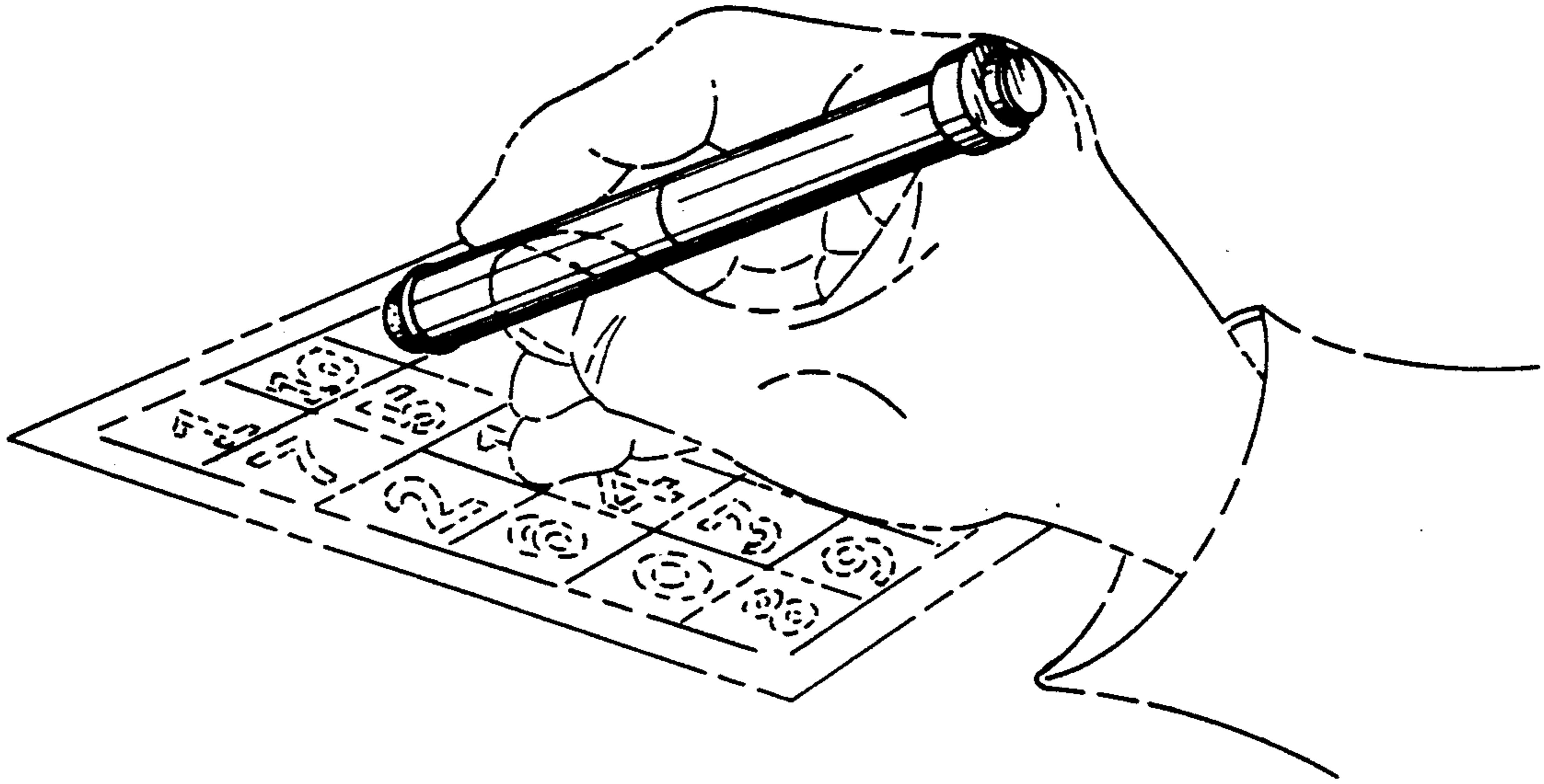


FIG. 2

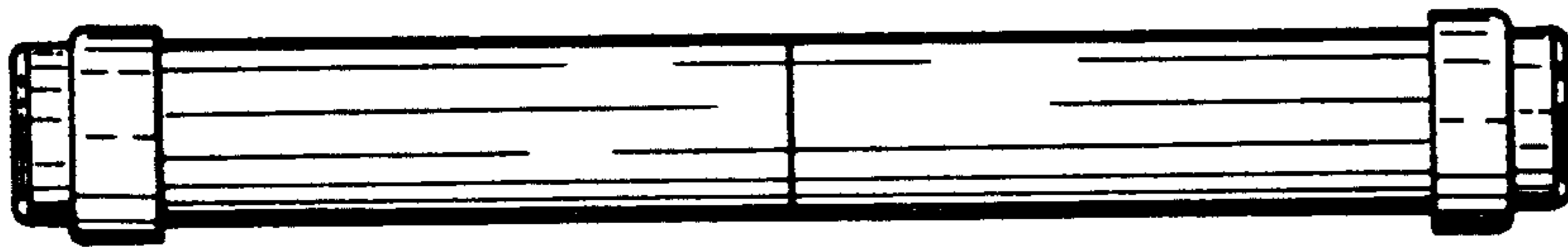


FIG. 3

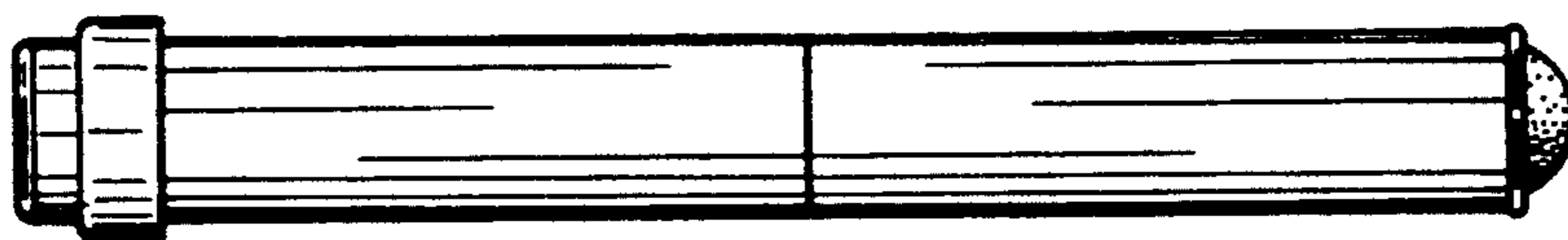


FIG. 4

FIG. 5

FIG. 6

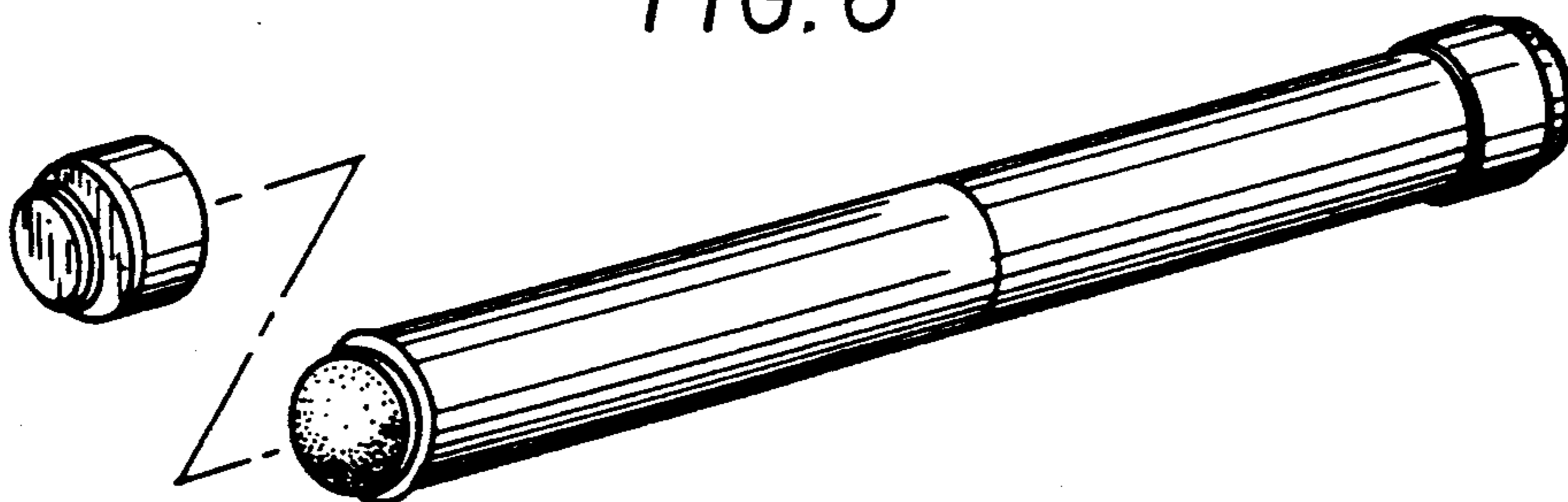


FIG. 7