



US00D341381S

# United States Patent [19]

[11] Patent Number: **Des. 341,381**

Niebling

[45] Date of Patent: **\*\* Nov. 16, 1993**

[54] **TARGET TOSSING GAME**

4,726,591 2/1988 Johnson .  
4,982,966 1/1991 Teafatiller ..... 273/338

[76] Inventor: **Ken Niebling, 7 Blackfoot Ct.,  
Florissant, Mo. 63033**

**OTHER PUBLICATIONS**

Transogram, 1948 catalog, p. 13, item #3214 and 3208.  
Medart Gymnasium Apparatus, CAT G-3, 1937 p. 73,  
ring toss game.

[\*\*] Term: **14 Years**

*Primary Examiner*—Prabhakar G. Deshmukh  
*Attorney, Agent, or Firm*—Terry M. Gernstein

[21] Appl. No.: **607,352**

[22] Filed: **Oct. 31, 1990**

[52] U.S. Cl. .... **D21/5**

[58] Field of Search ..... **D21/5, 1, 2, 20;  
273/317, 424, 425, 348, 400, 402, 404, 407, 398,  
338**

[57] **CLAIM**

The ornamental design for a target tossing game, as shown and described.

[56] **References Cited**

**DESCRIPTION**

**U.S. PATENT DOCUMENTS**

D. 248,374	7/1978	Thompson .....	D34/44
D. 301,899	6/1989	Cook .....	D21/5
D. 329,666	9/1992	Dougherty .....	D21/5
1,292,011	1/1919	Monroe .	
3,674,270	7/1972	Benjamin .	
3,822,063	7/1974	Rea .....	273/400
4,392,653	7/1983	Blume, Sr. ....	273/400

FIG. 1 is a perspective view of a target tossing game showing my new design;  
FIG. 2 is a rear elevational view thereof;  
FIG. 3 is a front elevational view thereof;  
FIG. 4 is a left side elevational view thereof; the right side elevational view being a mirror image thereof; and,  
FIG. 5 is a top plan view thereof.  
The bottom is plane and unornamented.

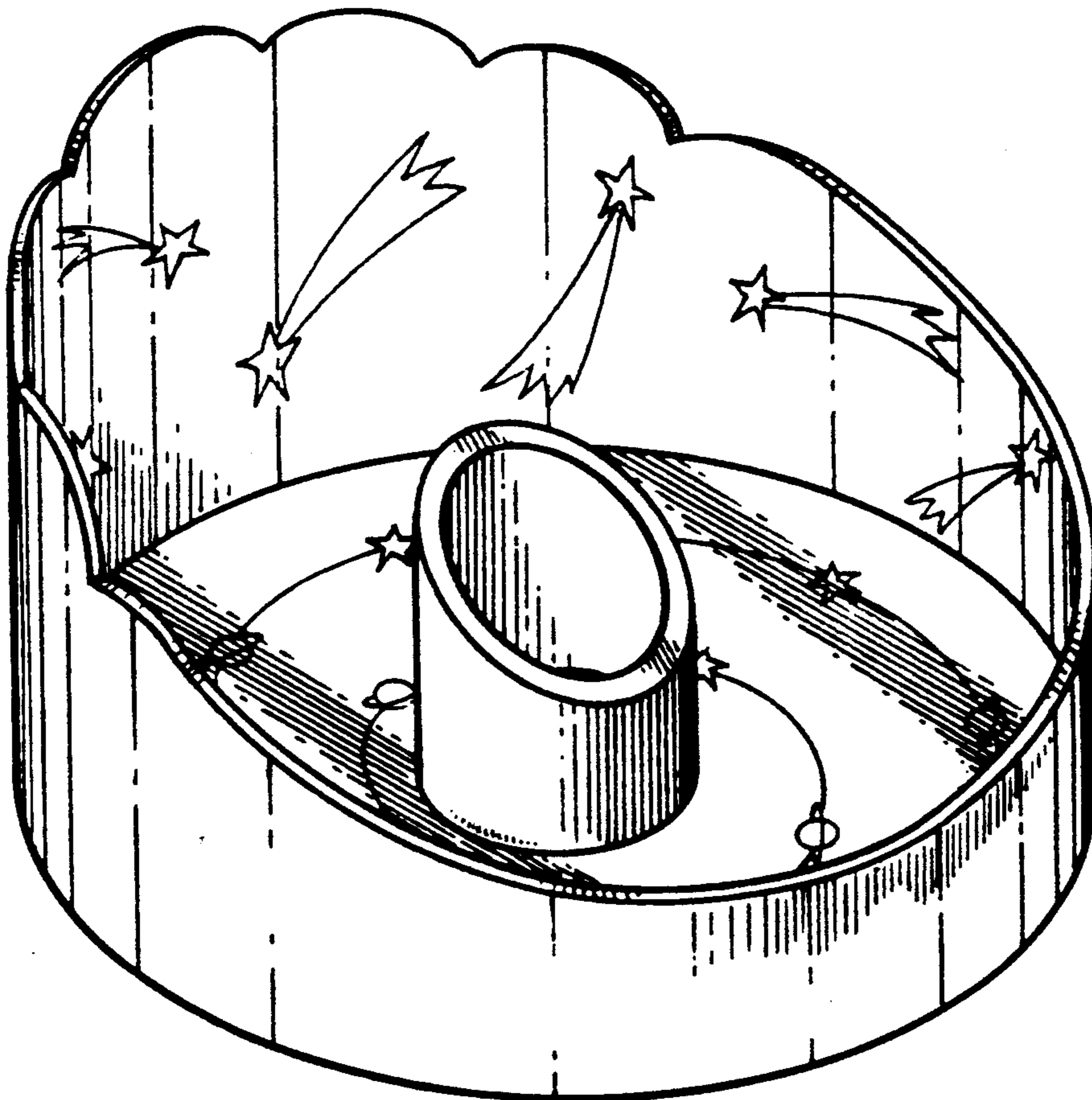


FIG. 1

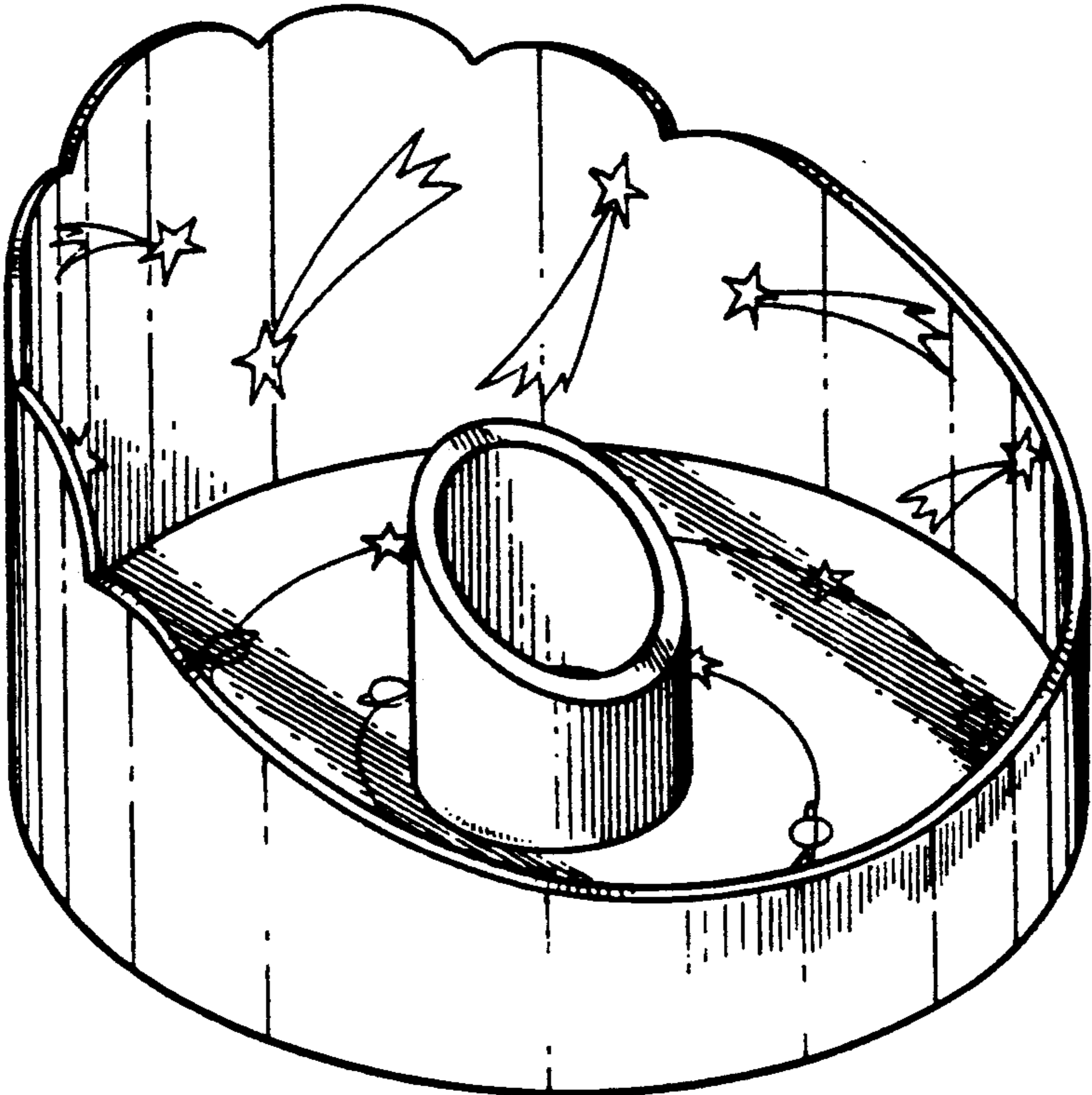
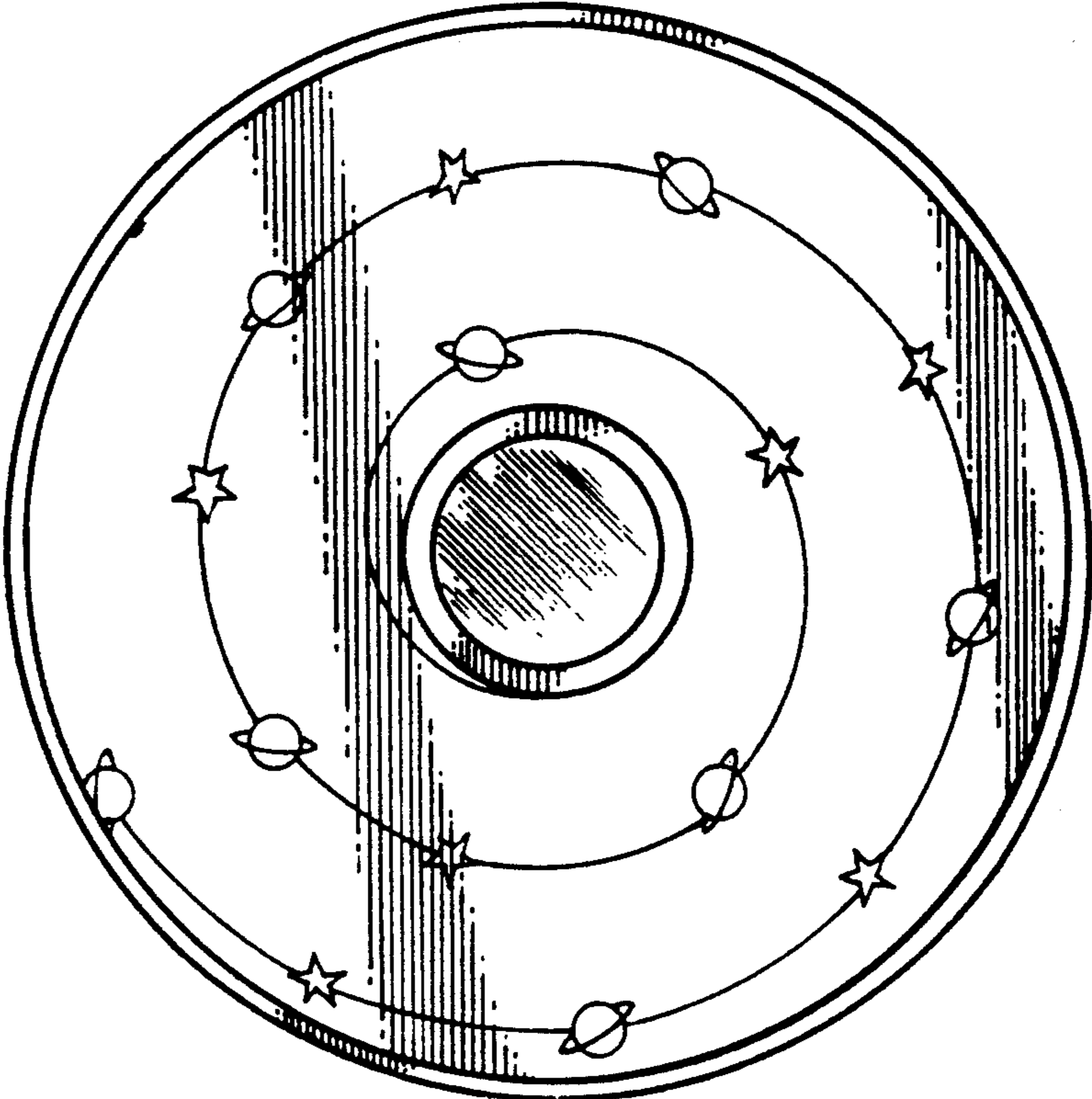


FIG. 5



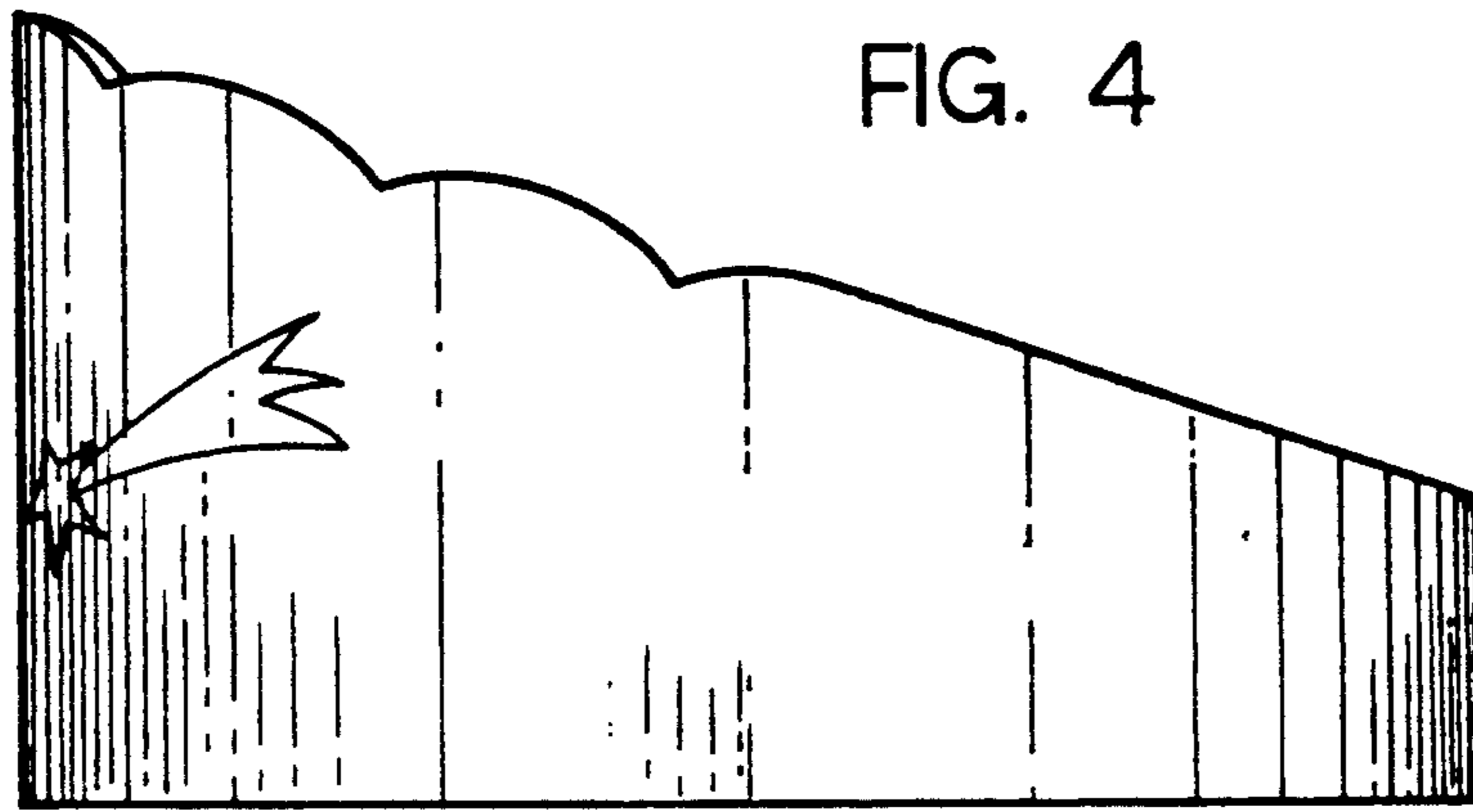


FIG. 4

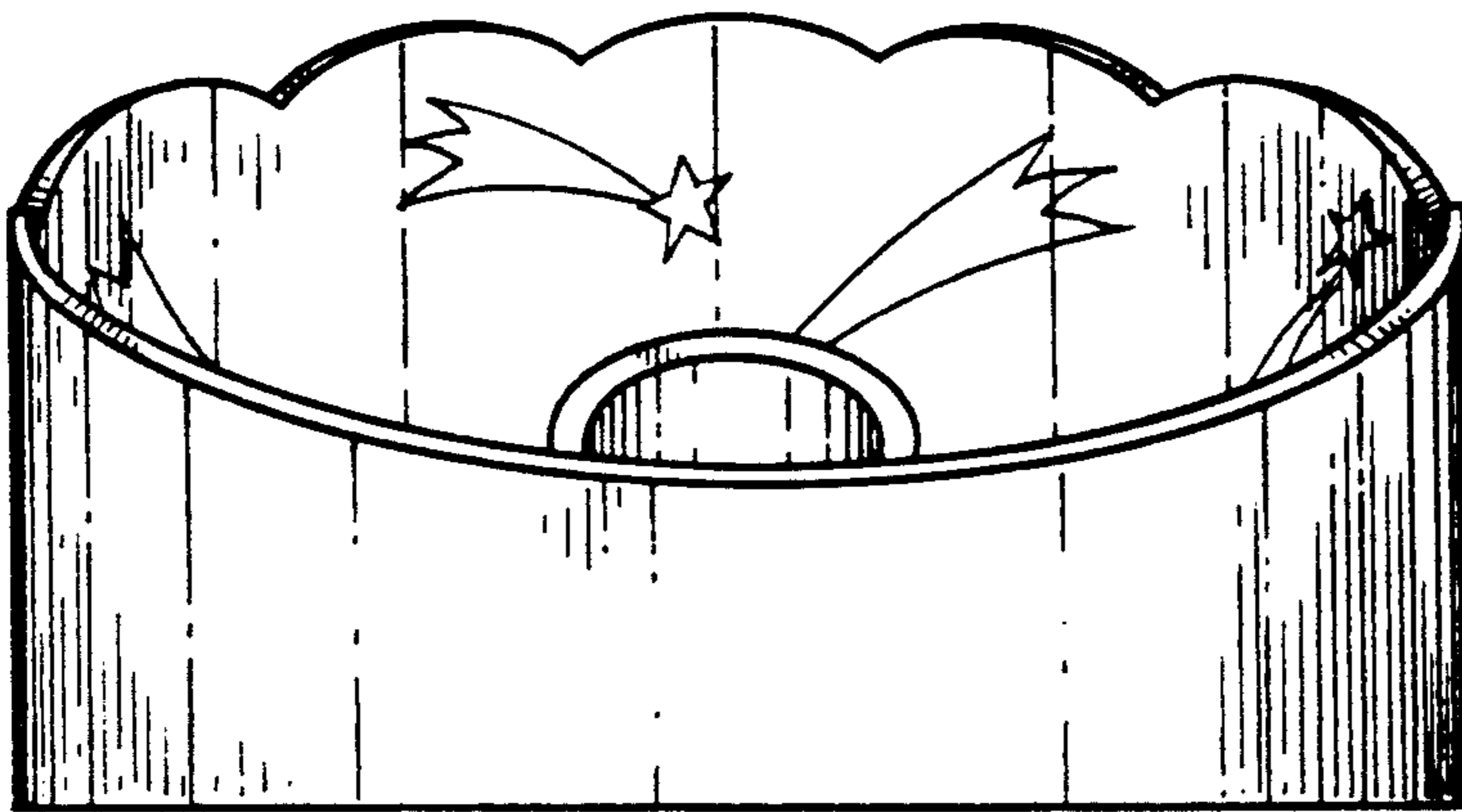


FIG. 3

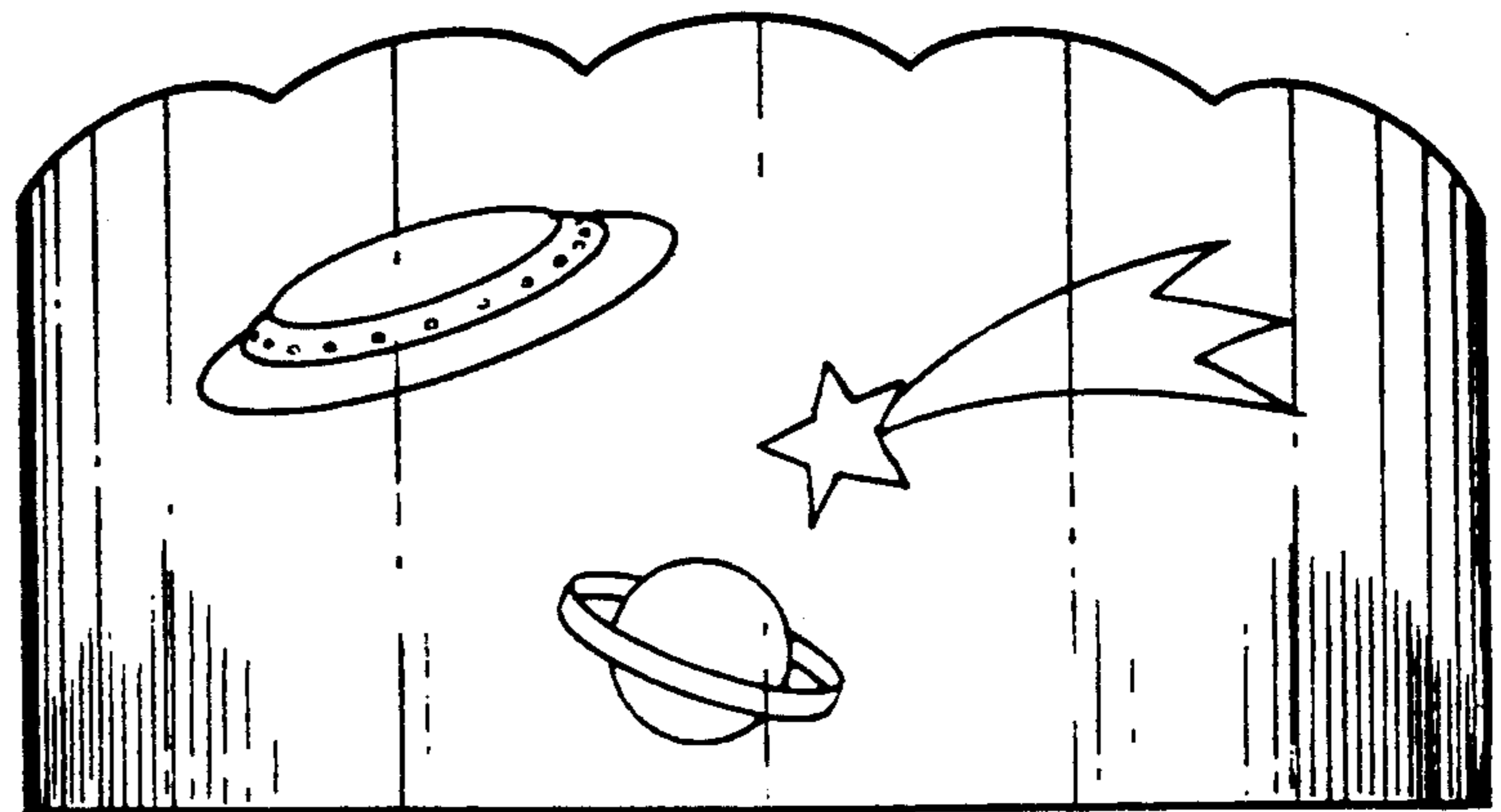


FIG. 2