



US00D341377S

United States Patent [19]

[11] Patent Number: **Des. 341,377**

Ringle

[45] Date of Patent: **** Nov. 16, 1993**

[54] PAPER TRAY

[76] Inventor: **Larry L. Ringle, 645-2 Woodside Sierra, Sacramento, Calif. 95825**

[**] Term: **14 Years**

[21] Appl. No.: **553,266**

[22] Filed: **Jul. 17, 1990**

[52] U.S. Cl. **D19/92; D19/86; D19/95**

[58] Field of Search **D7/550; D19/35, 36, D19/65, 75, 78, 86, 91, 92, 95, 99, 100; 206/215, 555; 211/10, 11, 13, 126**

[56] **References Cited**

U.S. PATENT DOCUMENTS

- D. 30,172 2/1899 Rose D19/35
- D. 137,950 7/1944 Howard .
- D. 175,449 8/1955 Vevirit D19/78 X
- D. 179,534 10/1957 Bullock et al. .
- D. 201,732 11/1965 Bunn et al. .
- D. 212,264 2/1968 Rome et al. .
- D. 214,142 5/1969 Dolgorukiv D19/91
- D. 249,351 7/1978 Mattera .
- D. 253,627 5/1979 Adamson .
- D. 259,428 11/1981 Macowski .
- D. 260,102 9/1981 Evans .

- D. 262,893 10/1982 Martin .
- D. 274,066 4/1984 Evenson .
- D. 274,067 6/1984 Evenson .
- D. 294,957 7/1988 Lothe .
- D. 296,706 11/1988 Evans .
- D. 298,764 1/1988 Herr et al. .
- 2,137,477 11/1938 De Haven D19/35 X
- 2,704,974 3/1955 Setman D7/550 X

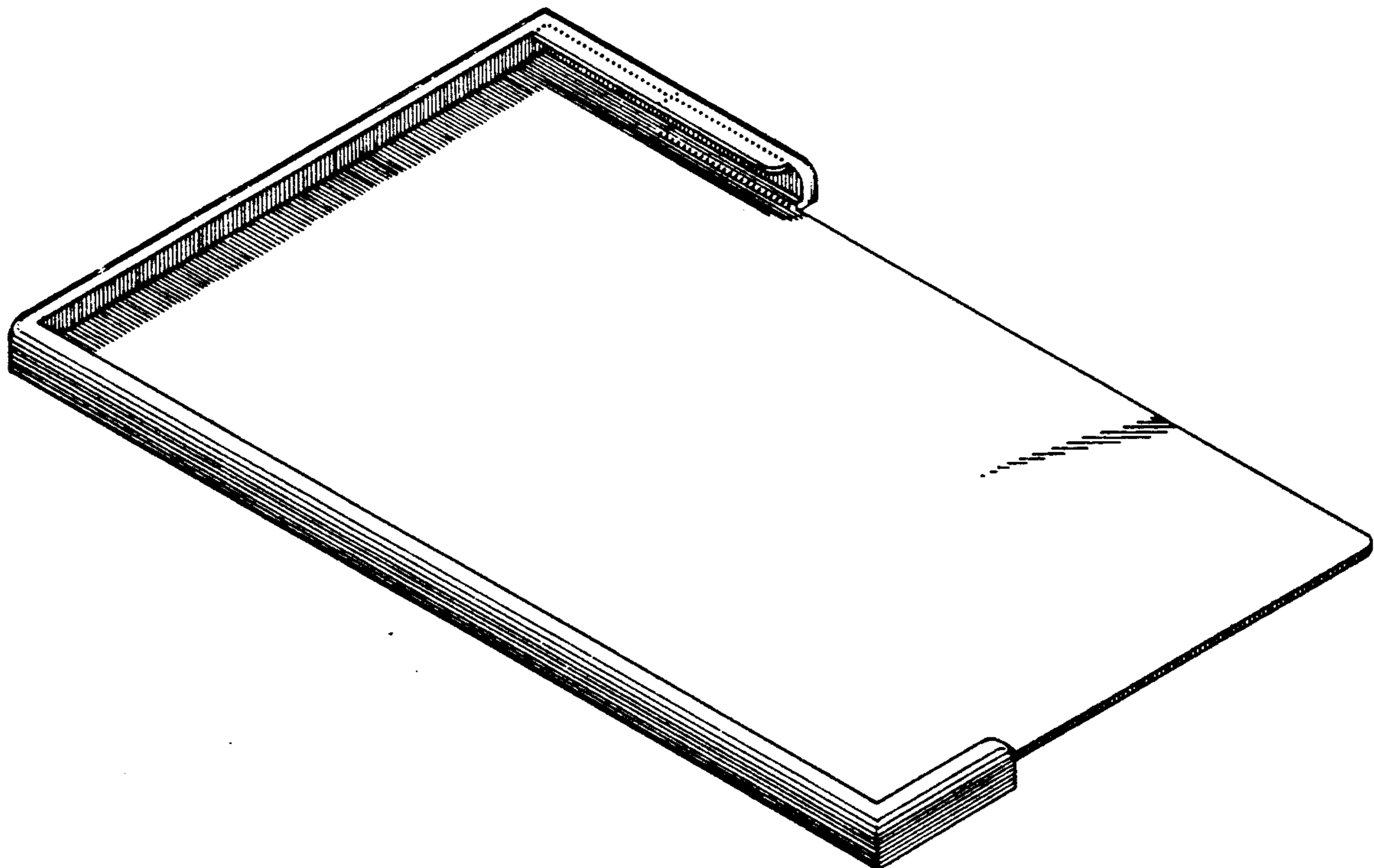
Primary Examiner—Nelson C. Holtje
Assistant Examiner—Martha Thompson
Attorney, Agent, or Firm—Bernhard Kreten

[57] **CLAIM**

The ornamental design for a paper tray, as shown and described.

DESCRIPTION

FIG. 1 is a top perspective view of a paper tray showing my new design;
FIG. 2 is a bottom perspective view;
FIG. 3 is a front elevational view;
FIG. 4 is a bottom plan view;
FIG. 5 is a rear elevational view;
FIG. 6 is a top plan view;
FIG. 7 is a right side elevational view; and,
FIG. 8 is a left side elevational view thereof.
The dotted lines in FIGS. 1, 2, 3, 4 and 6 are shown to indicate scoring.



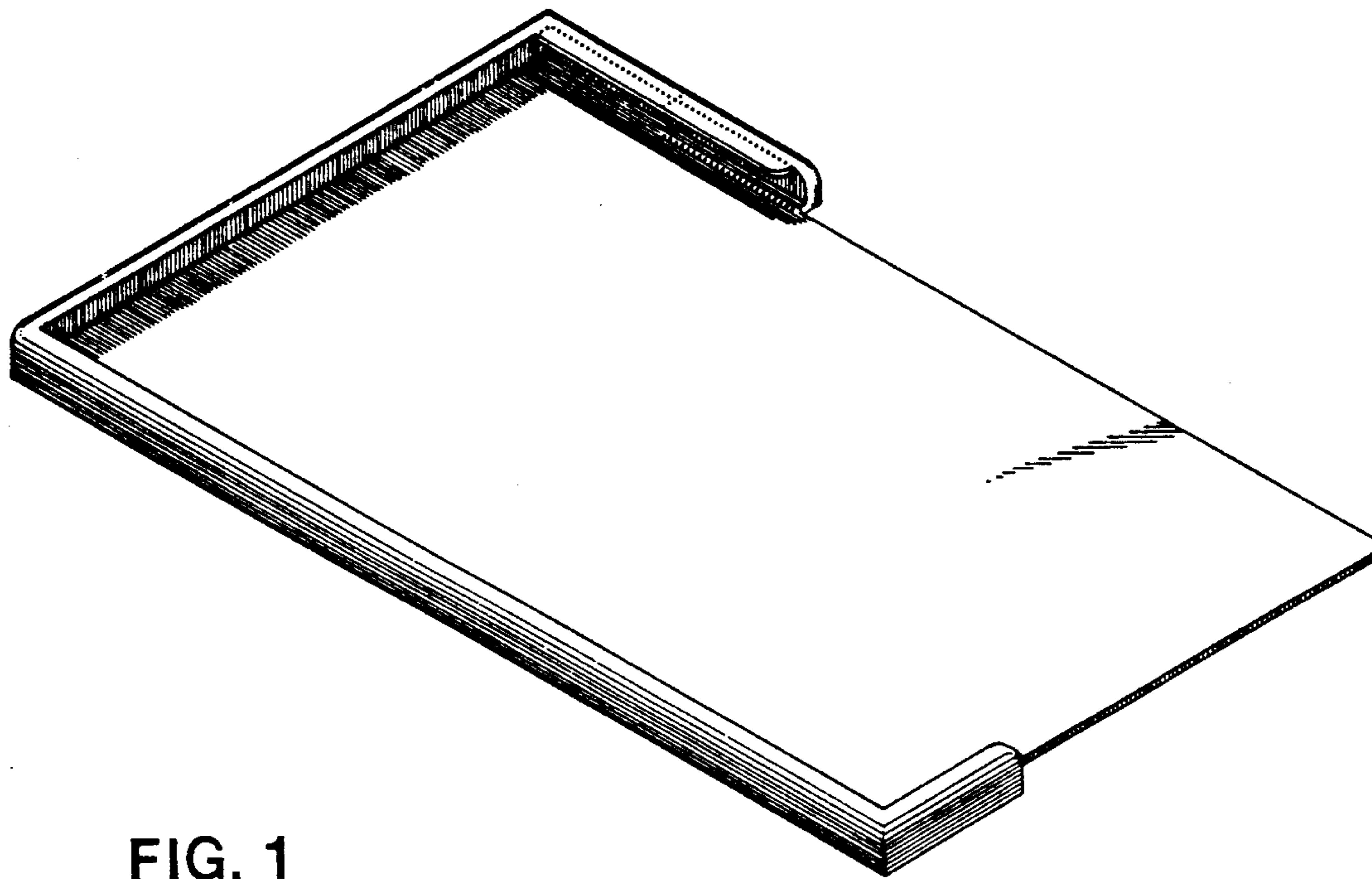


FIG. 1

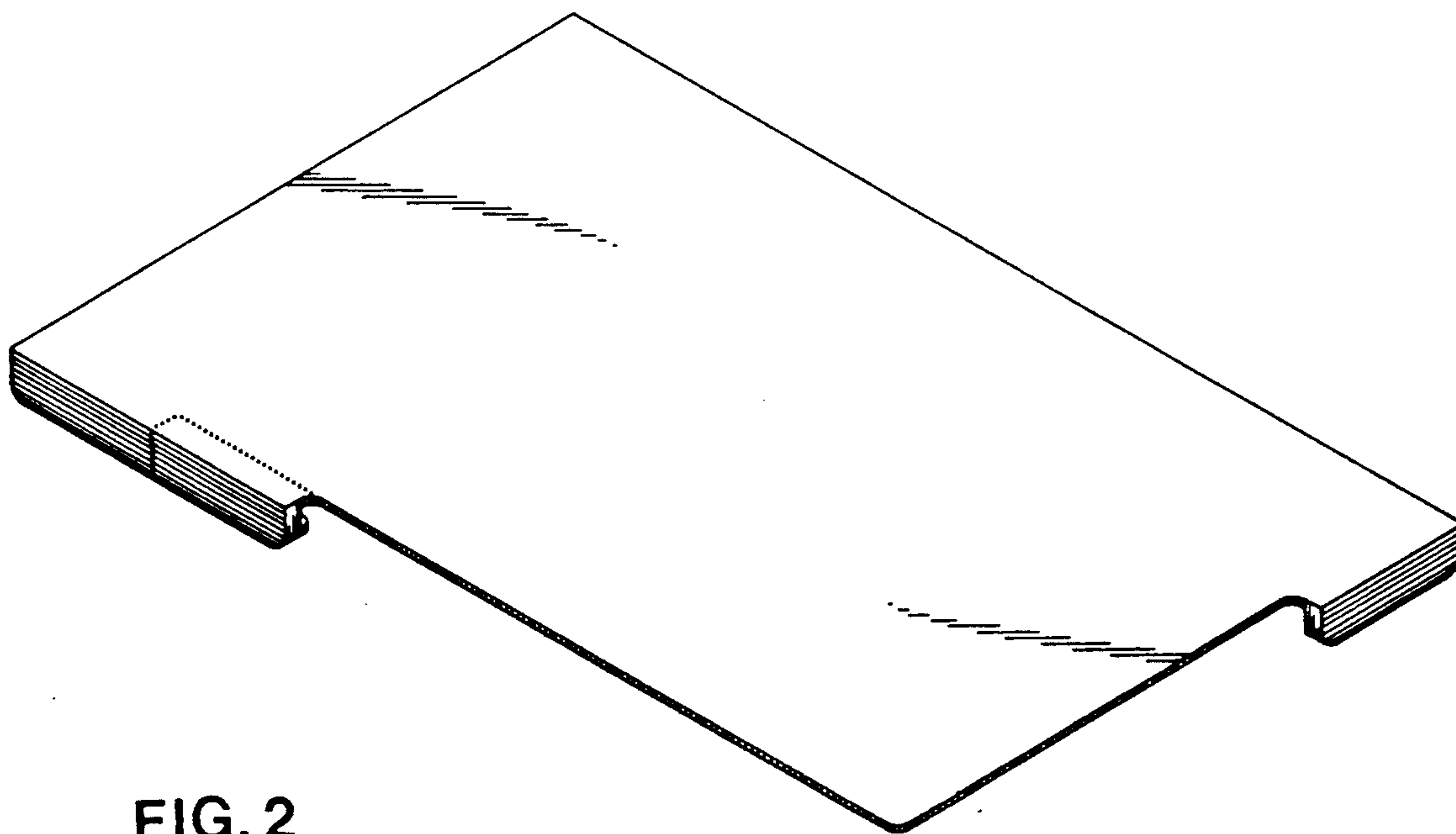


FIG. 2

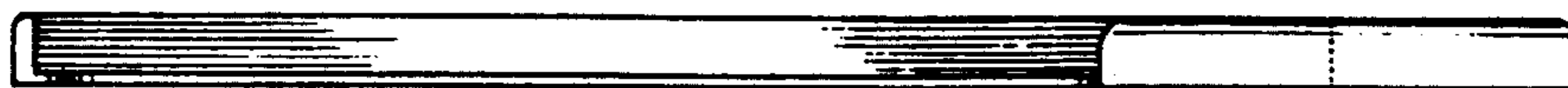


FIG. 3



FIG. 7

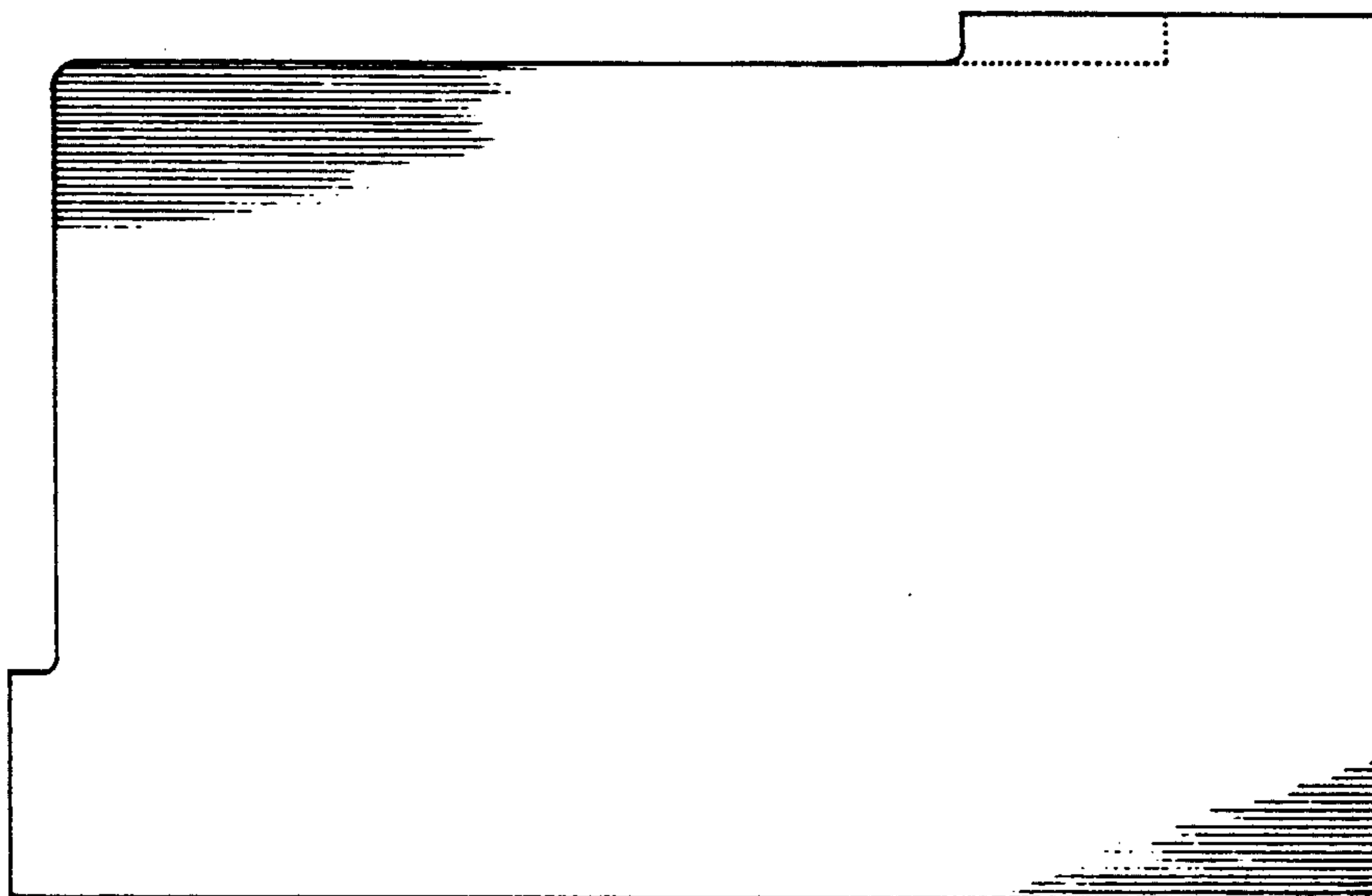


FIG. 4



FIG. 5



FIG. 8

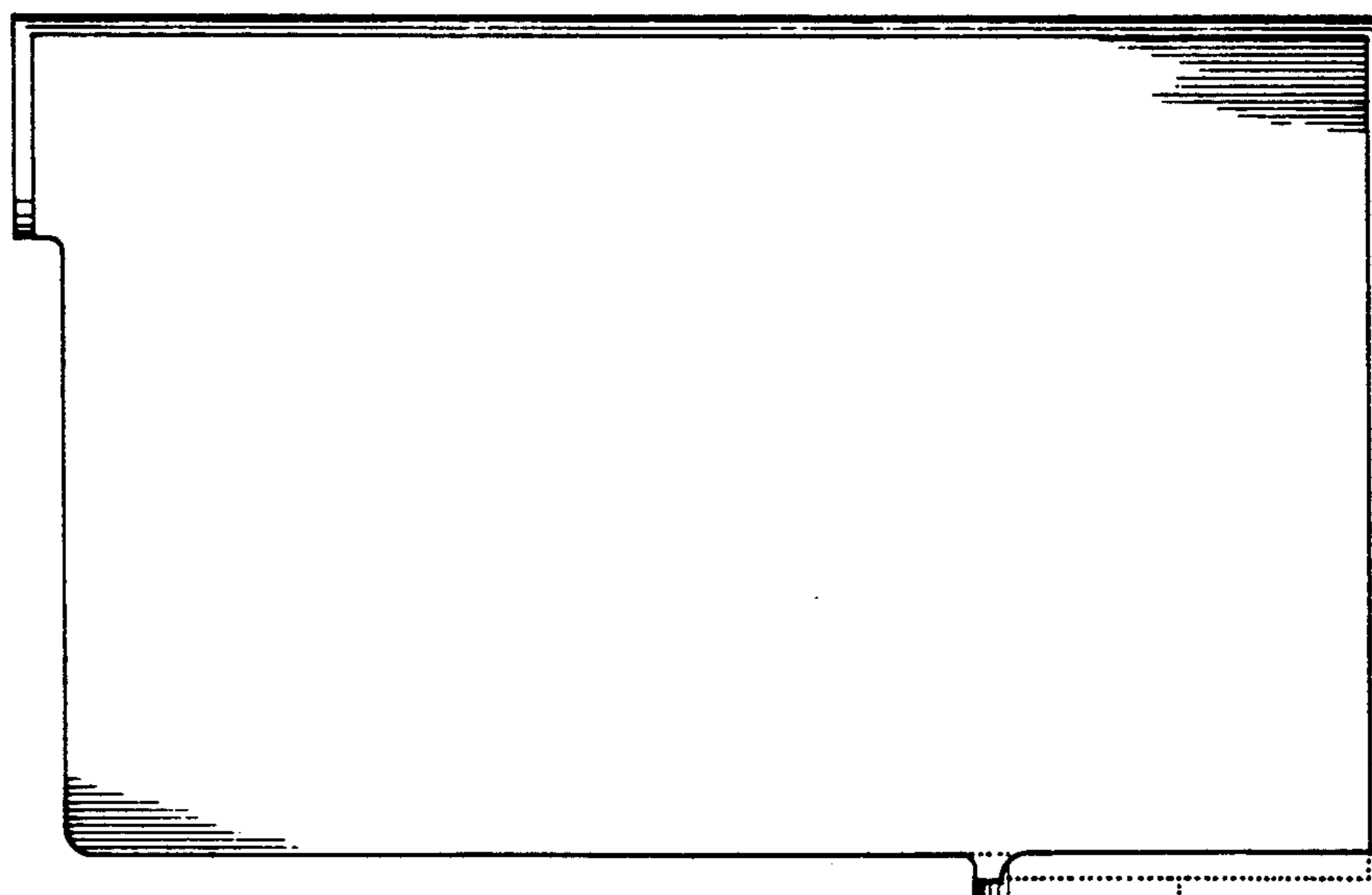


FIG. 6