



US00D341375S

United States Patent [19]

[11] Patent Number: **Des. 341,375**

Chin

[45] Date of Patent: **** Nov. 16, 1993**

[54] **COMBINED ORGANIZER FOR ASSORTED DESK ARTICLES AND CLOCK**

[76] Inventor: **Vivien Chin**, Fl. 3. No. 7-1, San Fu St., Chingmei, Taipei City, Taiwan

[**] Term: **14 Years**

[21] Appl. No.: **569,544**

[22] Filed: **Sep. 18, 1990**

[52] U.S. Cl. **D19/75; D19/69; D19/77; D19/83; D19/95; D19/78**

[58] Field of Search **D6/466; D19/65, 69, D19/75, 77, 78, 81-85, 90, 92, 95, 99, 100, 69.1-69.9, 70, 214, 224, 371**

[56] **References Cited**

U.S. PATENT DOCUMENTS

D. 146,491	3/1947	Swartzmiller	D19/77 X
D. 186,699	11/1959	Sherman	D19/77 X
D. 194,756	3/1963	Norman	D19/69 X
D. 255,369	6/1980	de Gross	D19/77 X
D. 264,604	5/1982	Sussman	D19/77 X

D. 277,556	2/1985	Pappas	D19/75 X
D. 283,630	4/1986	Yuen	D19/85 X
3,055,510	9/1962	Coates	D6/466 X
4,934,527	6/1990	Ho	206/214

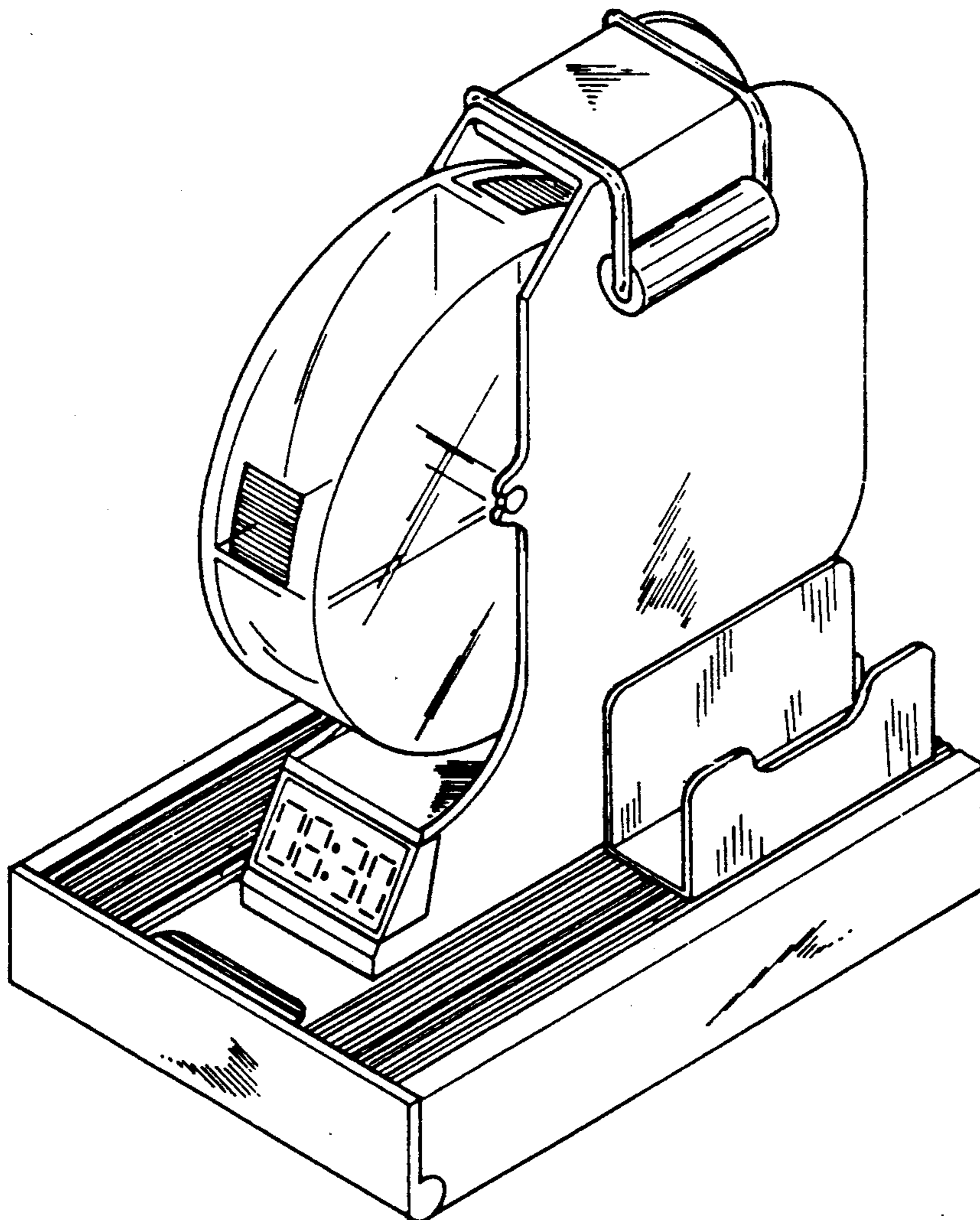
Primary Examiner—Donald P. Walsh
Assistant Examiner—Martha Thompson

[57] **CLAIM**

The ornamental design for a combined organizer for assorted desk articles and clock, as shown and described.

DESCRIPTION

FIG. 1 is a top, right front perspective view of a combined organizer for assorted desk articles and clock showing my new design;
FIG. 2 is a front elevational view;
FIG. 3 is a rear elevational view;
FIG. 4 is a left side elevational view;
FIG. 5 is a right side elevational view;
FIG. 6 is a top plan view; and,
FIG. 7 is a bottom plan view thereof.



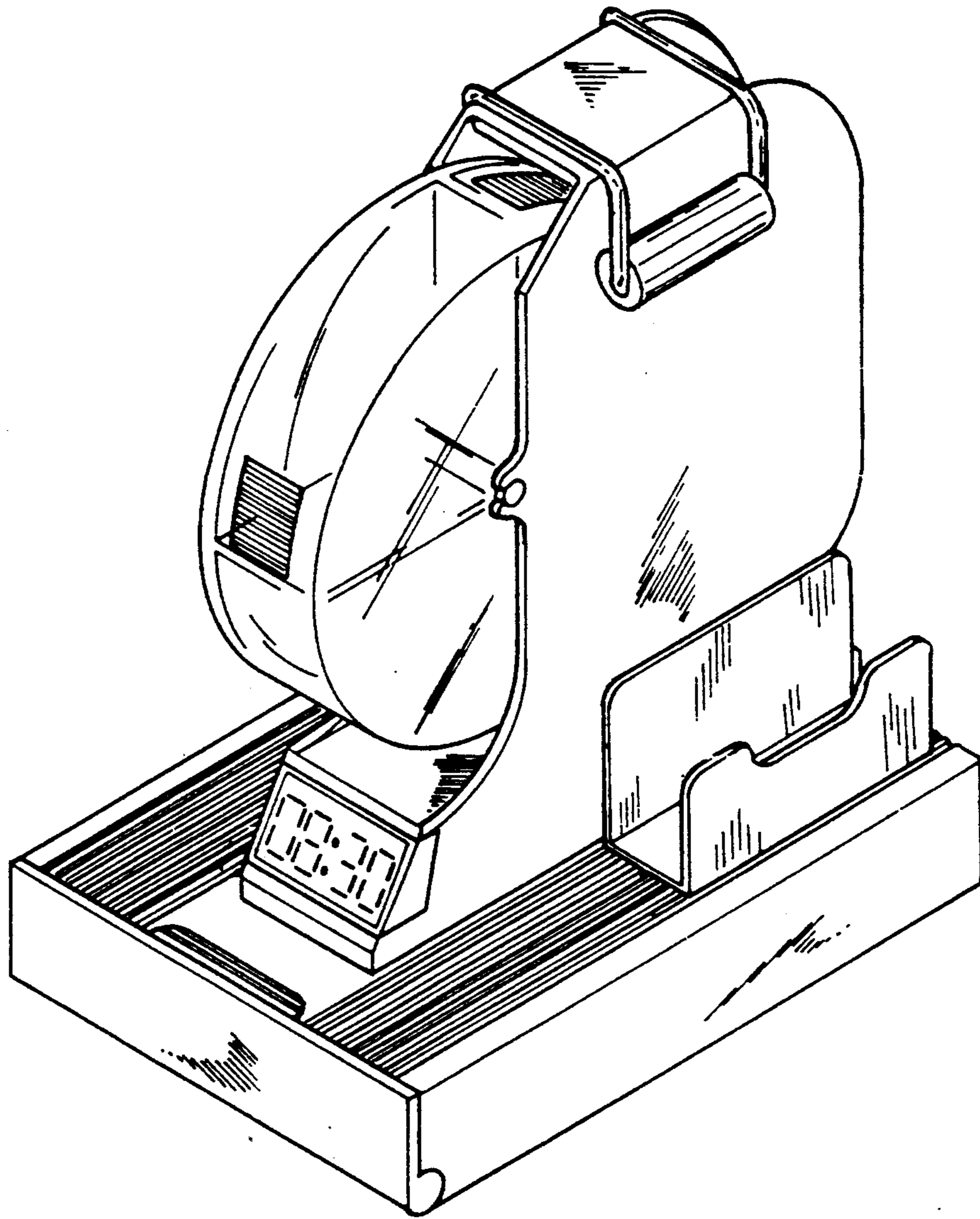


FIG.1

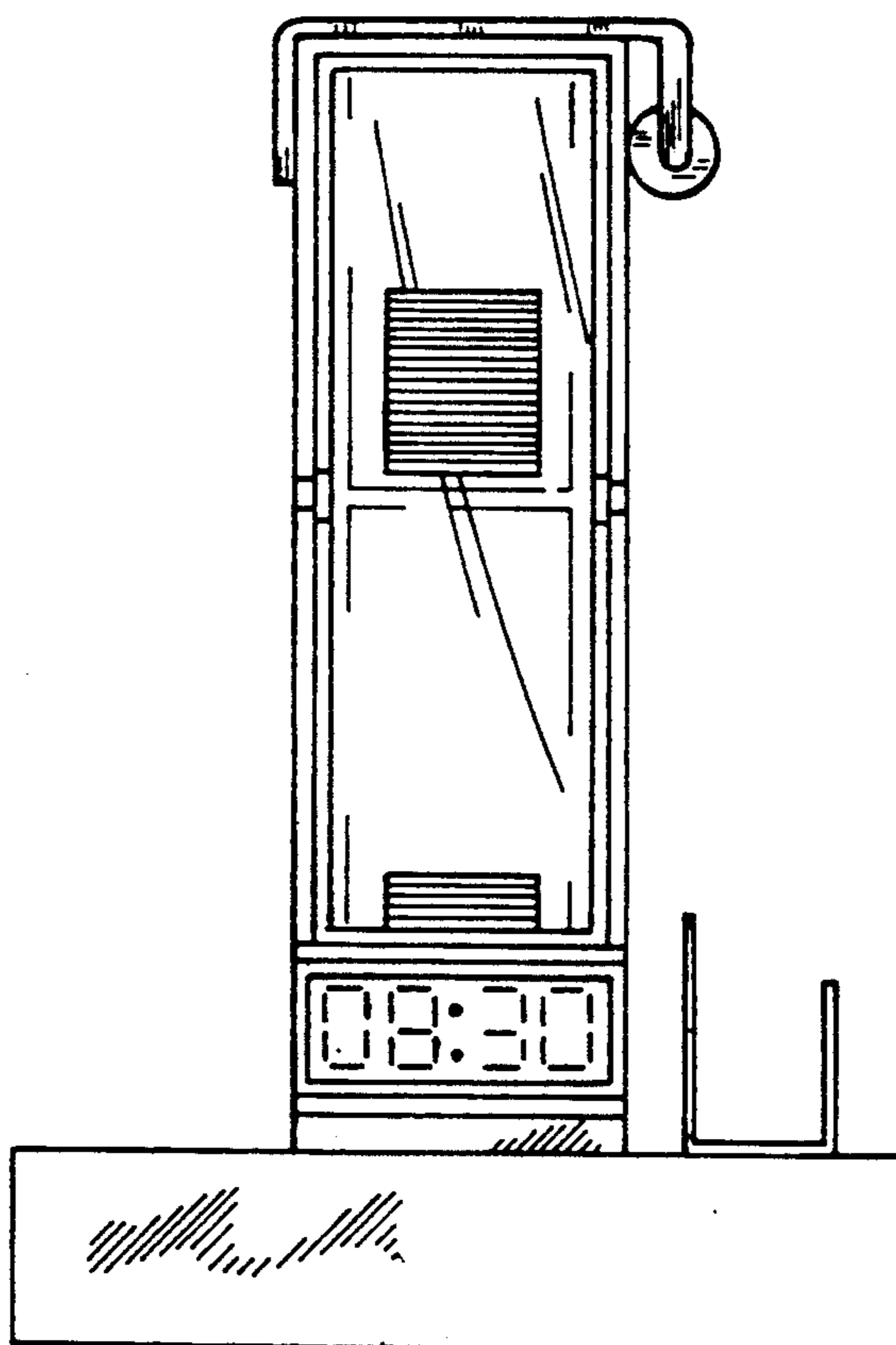


FIG.2

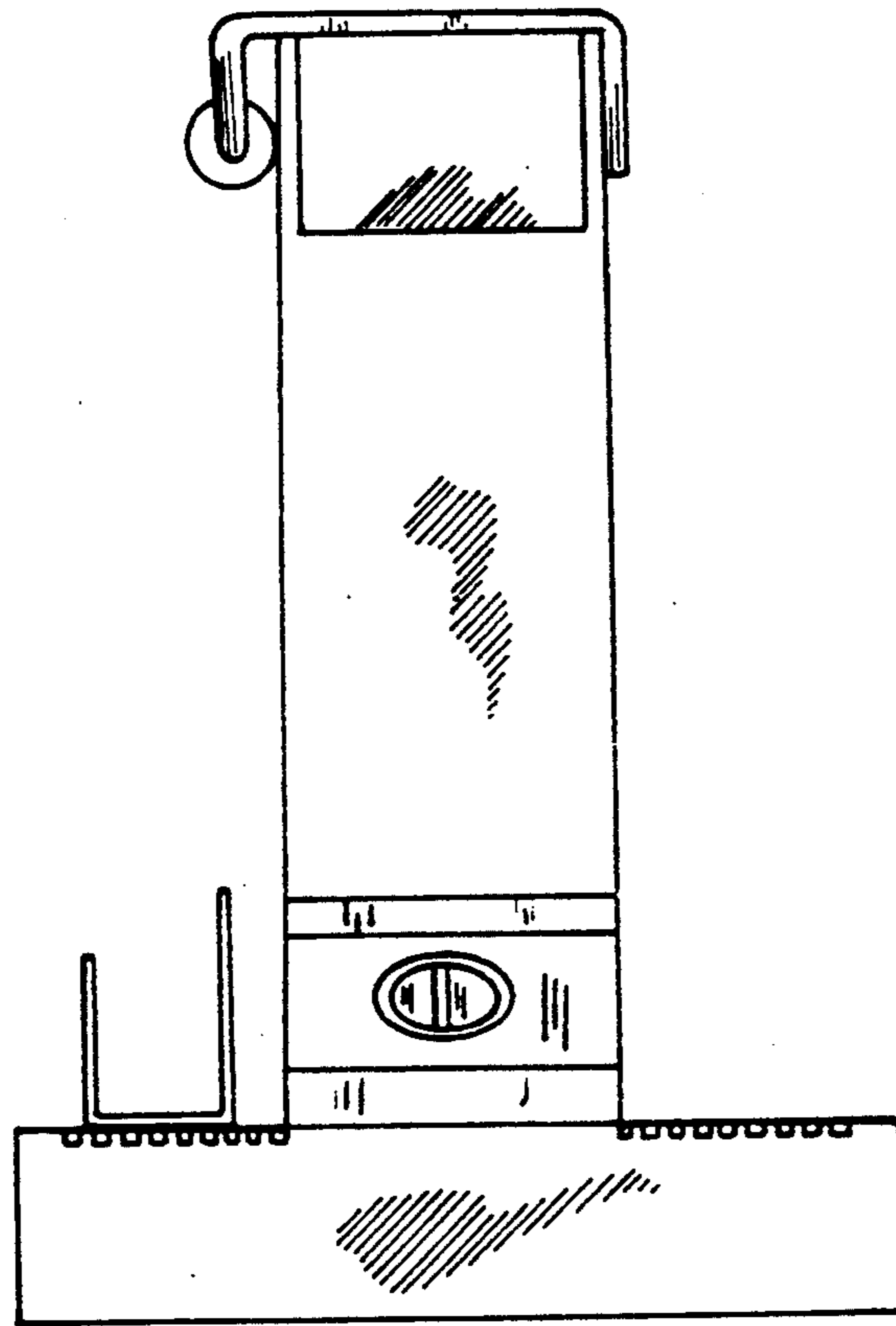


FIG.3

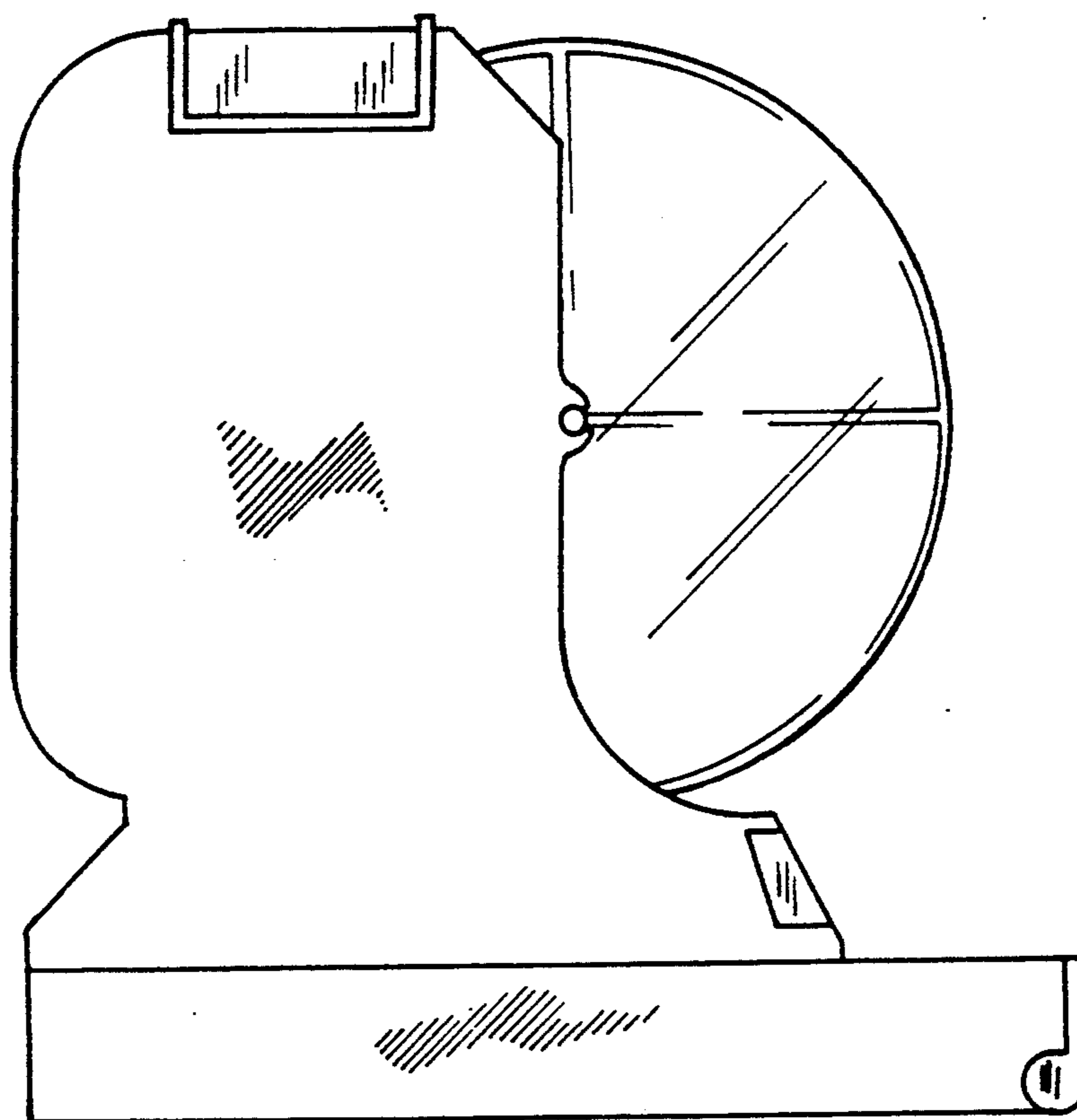


FIG. 4

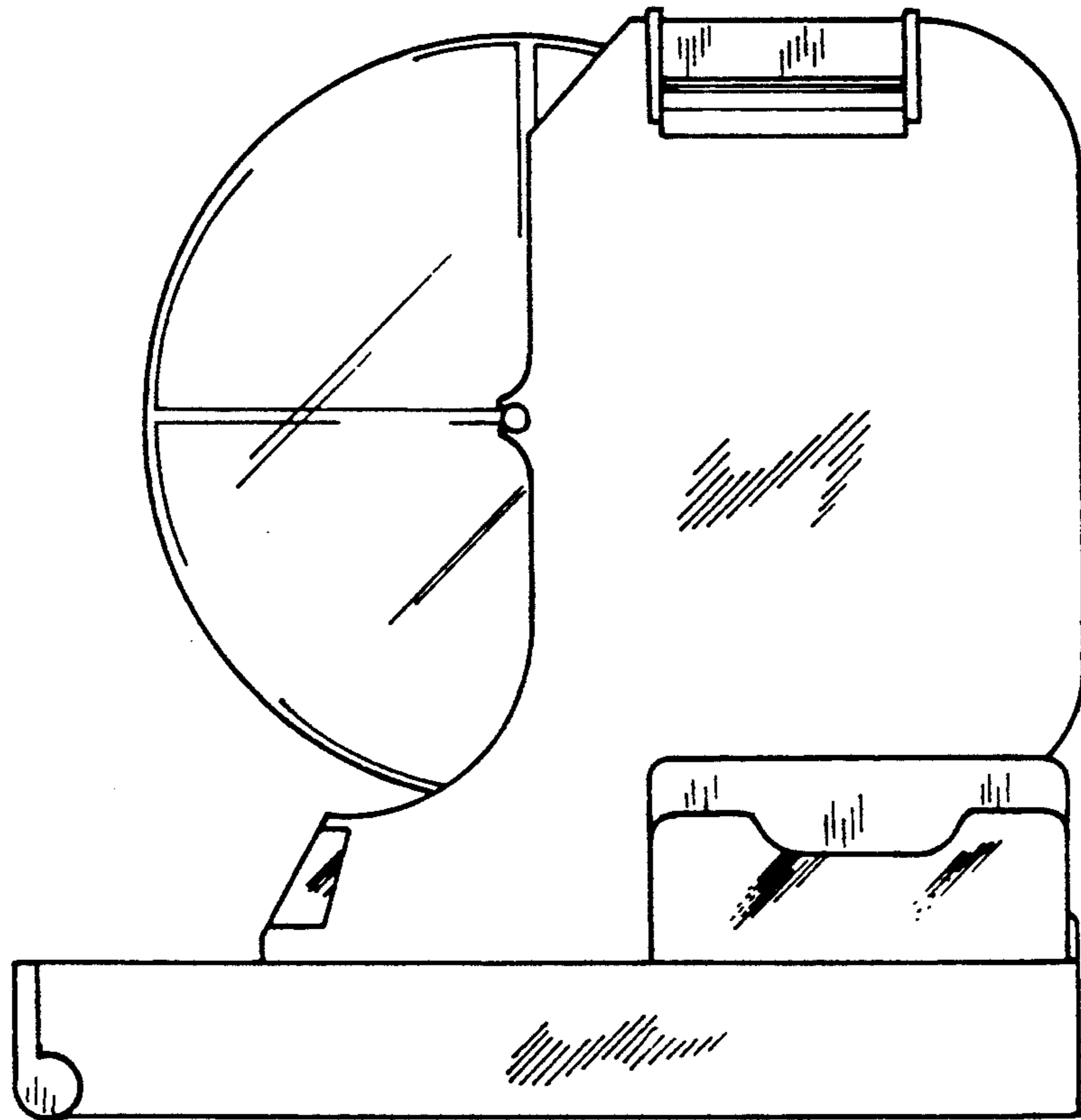


FIG.5

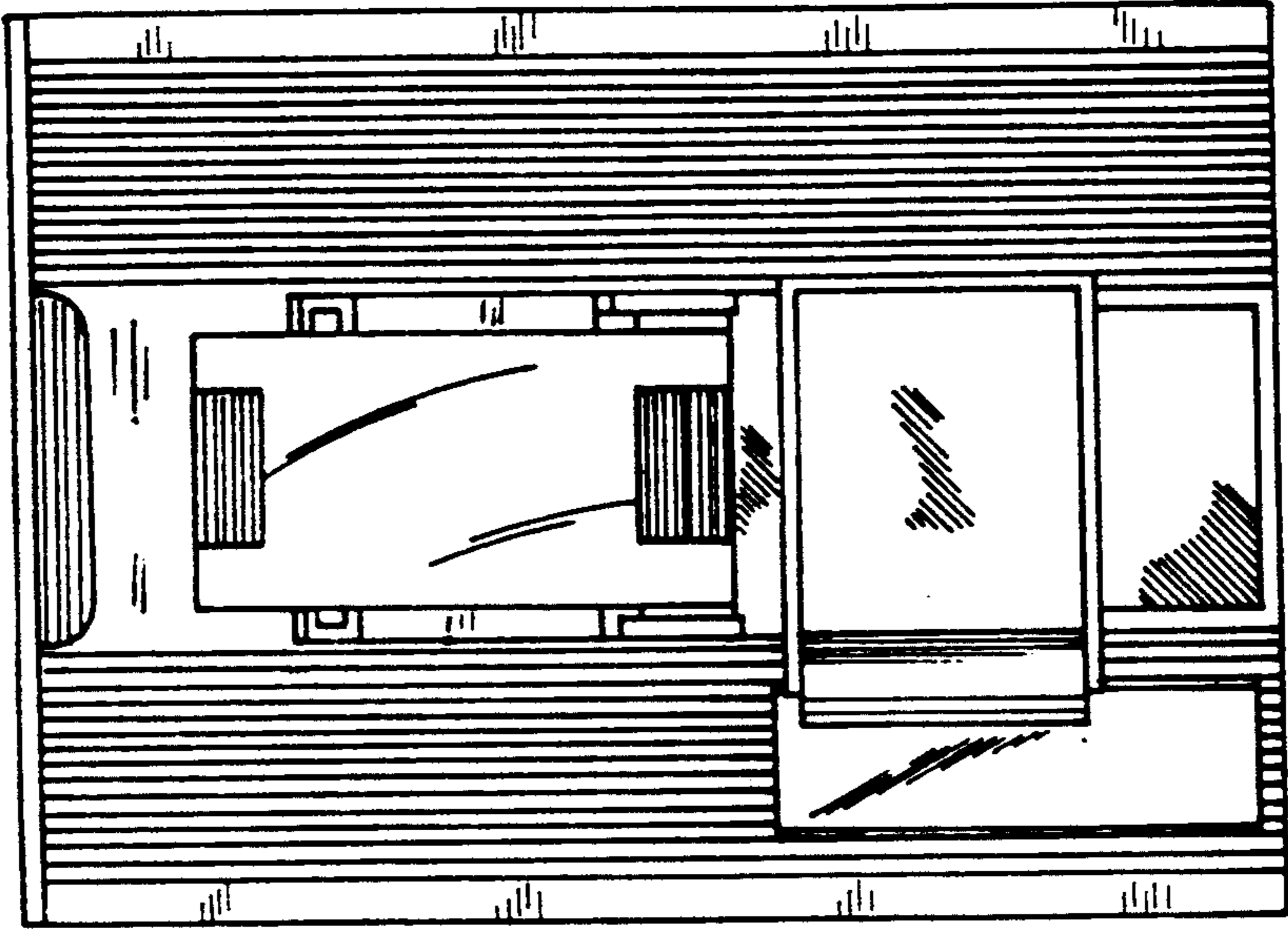


FIG. 6

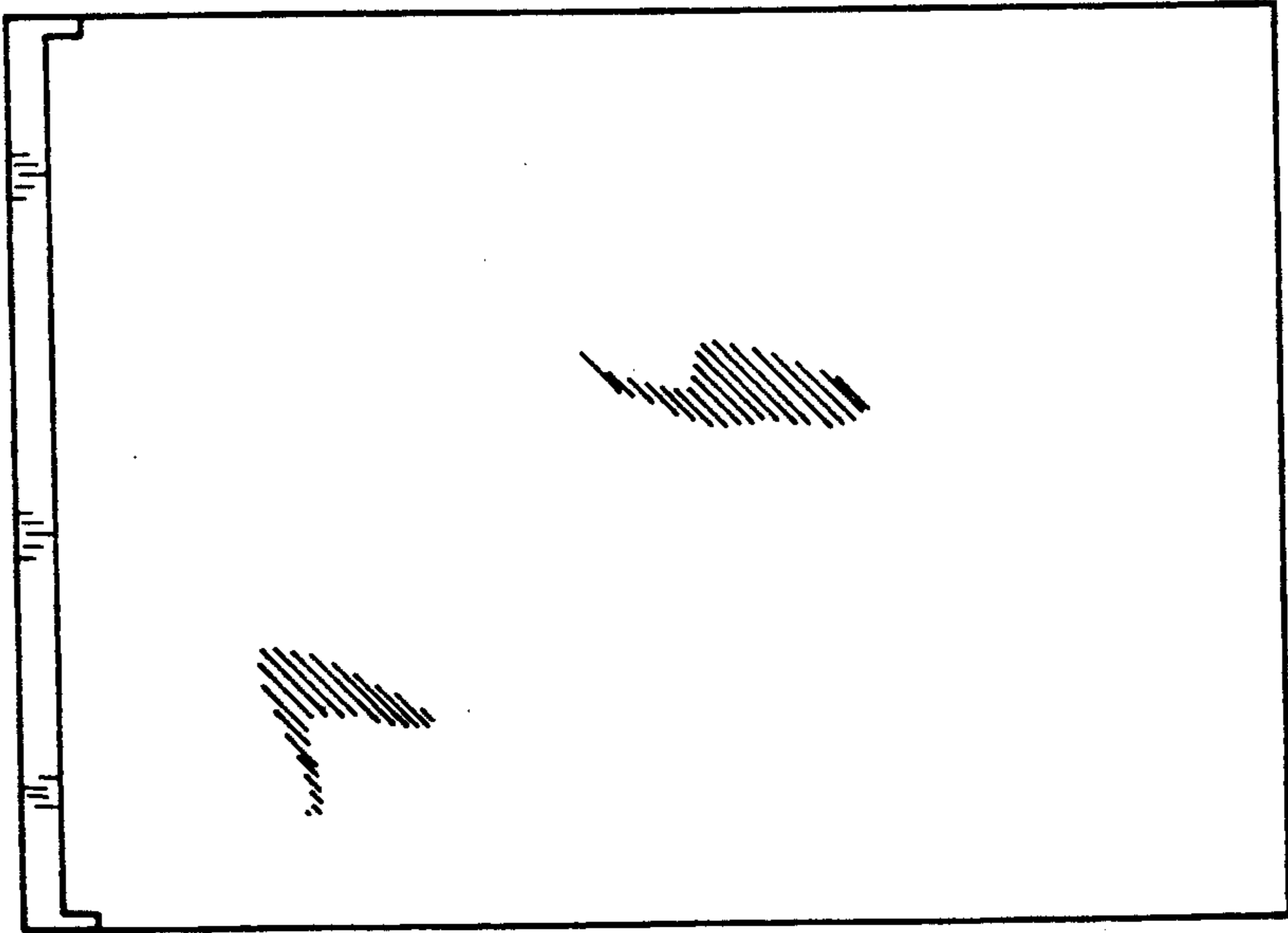


FIG. 7