



US00D341369S

United States Patent [19]

[11] Patent Number: Des. 341,369

Sakata

[45] Date of Patent: ** Nov. 16, 1993

[54] COMBINED VIDEO TAPE RECORDER AND TELEVISION CAMERA

[75] Inventor: Fumitoshi Sakata, Tochigi, Japan

[73] Assignee: Sharp Kabushiki Kaisha, Osaka, Japan

[**] Term: 14 Years

[21] Appl. No.: 771,418

[22] Filed: Oct. 7, 1991

[30] Foreign Application Priority Data

Apr. 5, 1991 [JP] Japan 3-9940

[52] U.S. Cl. D16/202

[58] Field of Search D16/200, 202, 205, 208; 352/34, 242, 243; 354/82, 293; 358/229, 906

[56] References Cited

U.S. PATENT DOCUMENTS

D. 315,915	4/1991	Morimiya	D16/202
D. 316,419	4/1991	Matsumura	D16/202
D. 316,555	4/1991	Ooi et al.	D16/202
D. 327,698	7/1992	Masuda	D16/202
5,132,800	7/1992	Wada et al.	358/906
5,189,524	2/1993	Yoshida et al.	358/906

Primary Examiner—Bernard Ansher
Assistant Examiner—Adir Aronovich
Attorney, Agent, or Firm—Nixon & Vanderhye

[57] CLAIM

The ornamental design for a combined video tape recorder and television camera, as shown and described.

DESCRIPTION

FIG. 1 is a top, front and right side perspective view of a combined video tape recorder and television camera showing my new design;

FIG. 2 is a top, rear and left side perspective view thereof;

FIG. 3 is a top plan view thereof;

FIG. 4 is a front elevational view thereof;

FIG. 5 is a right side elevational view thereof;

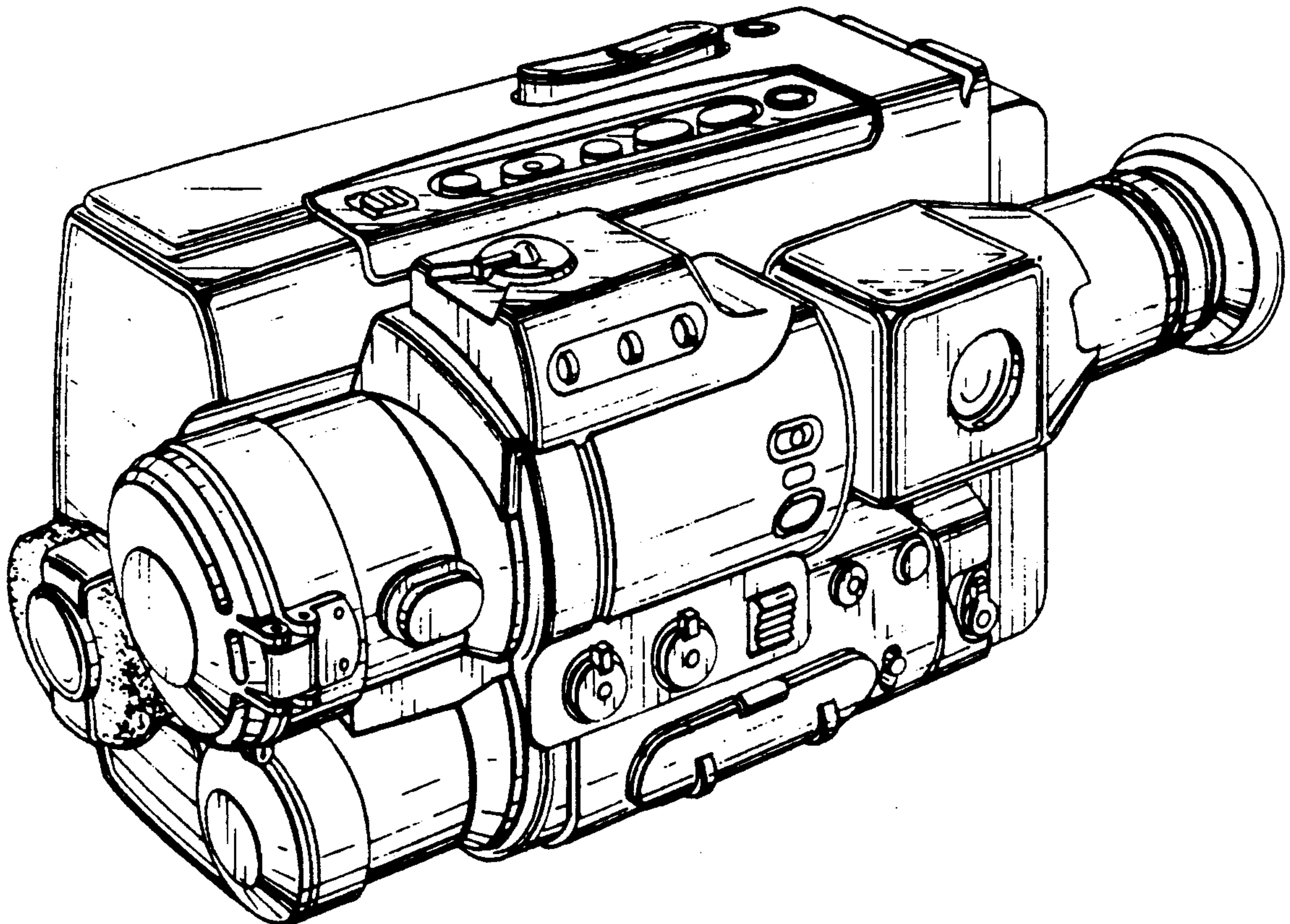
FIG. 6 is a rear elevational view thereof;

FIG. 7 is a left side elevational view thereof;

FIG. 8 is a bottom plan view thereof;

FIG. 9 is a top, front and right side perspective view thereof, the viewfinder shown in an alternate position with its lens cap disposed;

FIG. 10 is a top, front and left side perspective view of thereof, illustrated with its handstrap attached thereto.



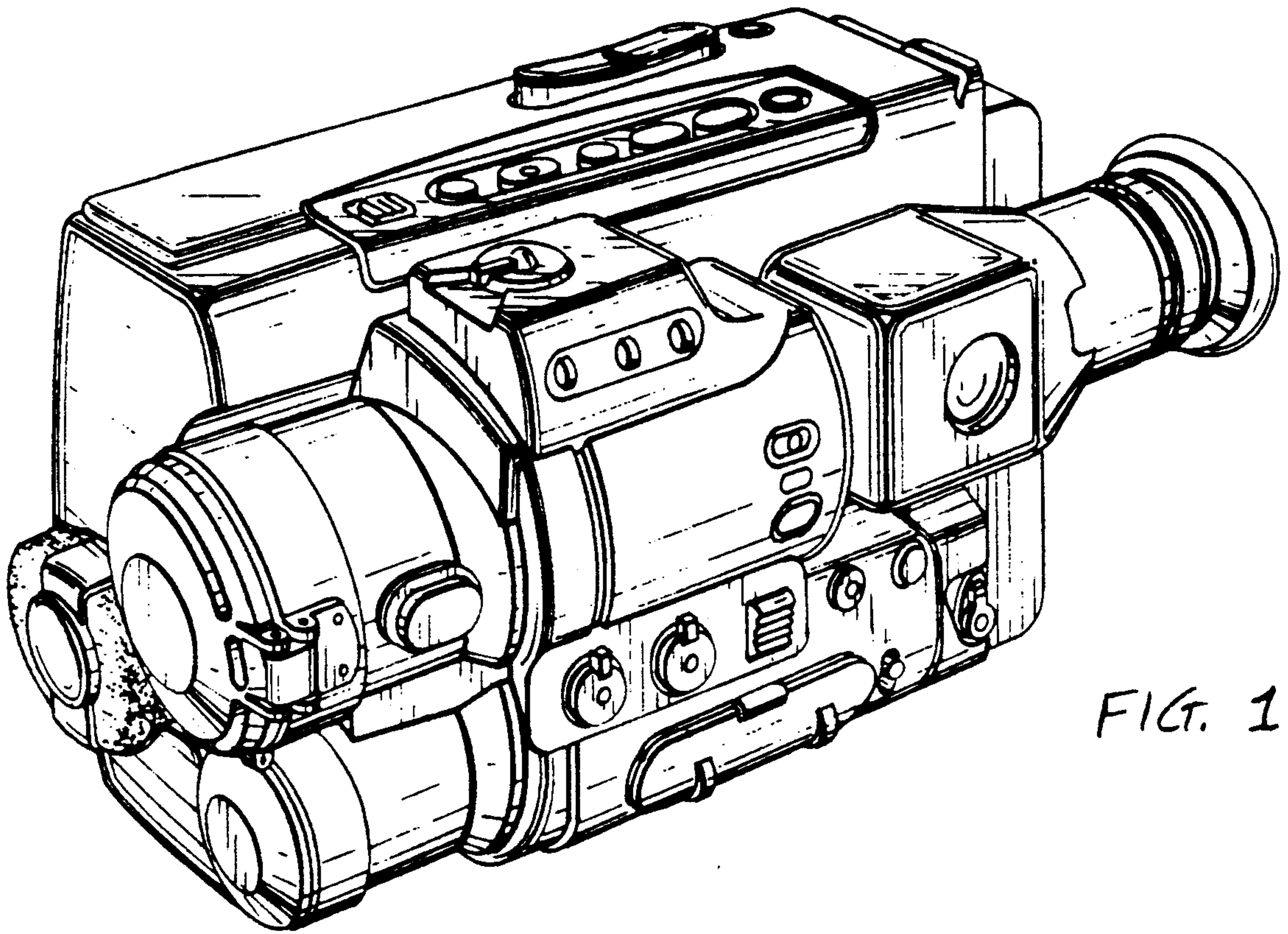


FIG. 1

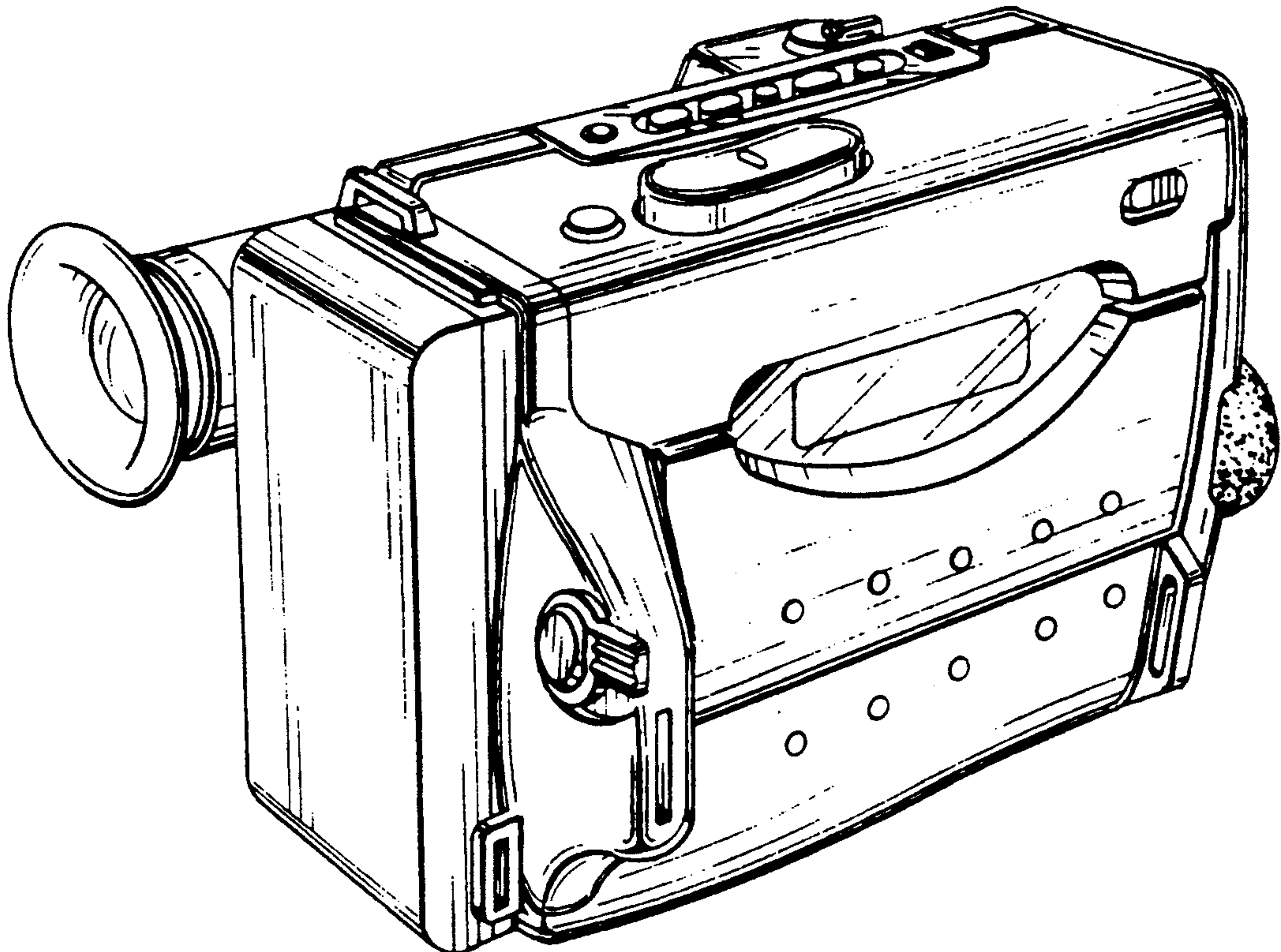


FIG. 2

FIG. 4

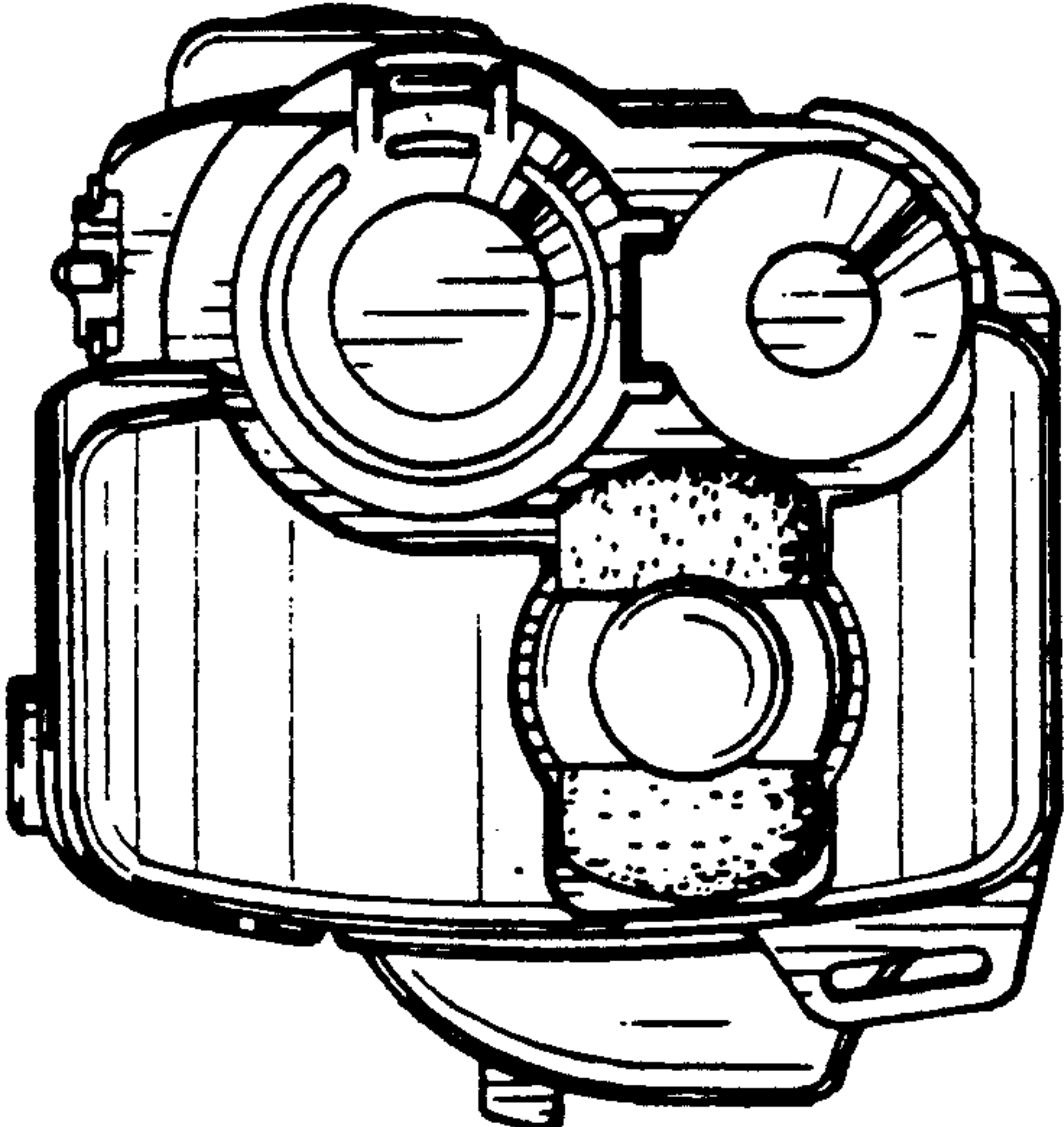


FIG. 3

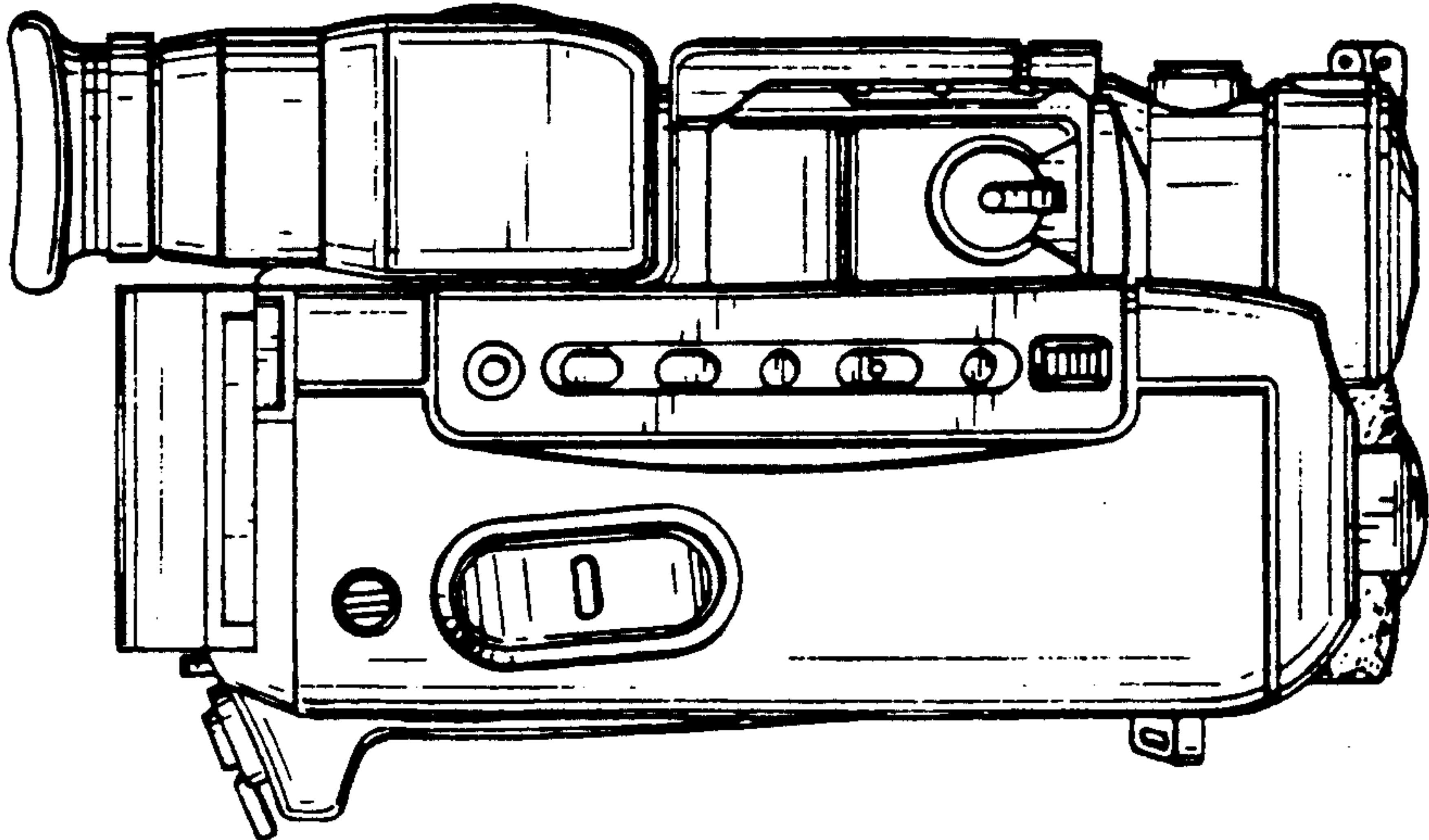


FIG. 5

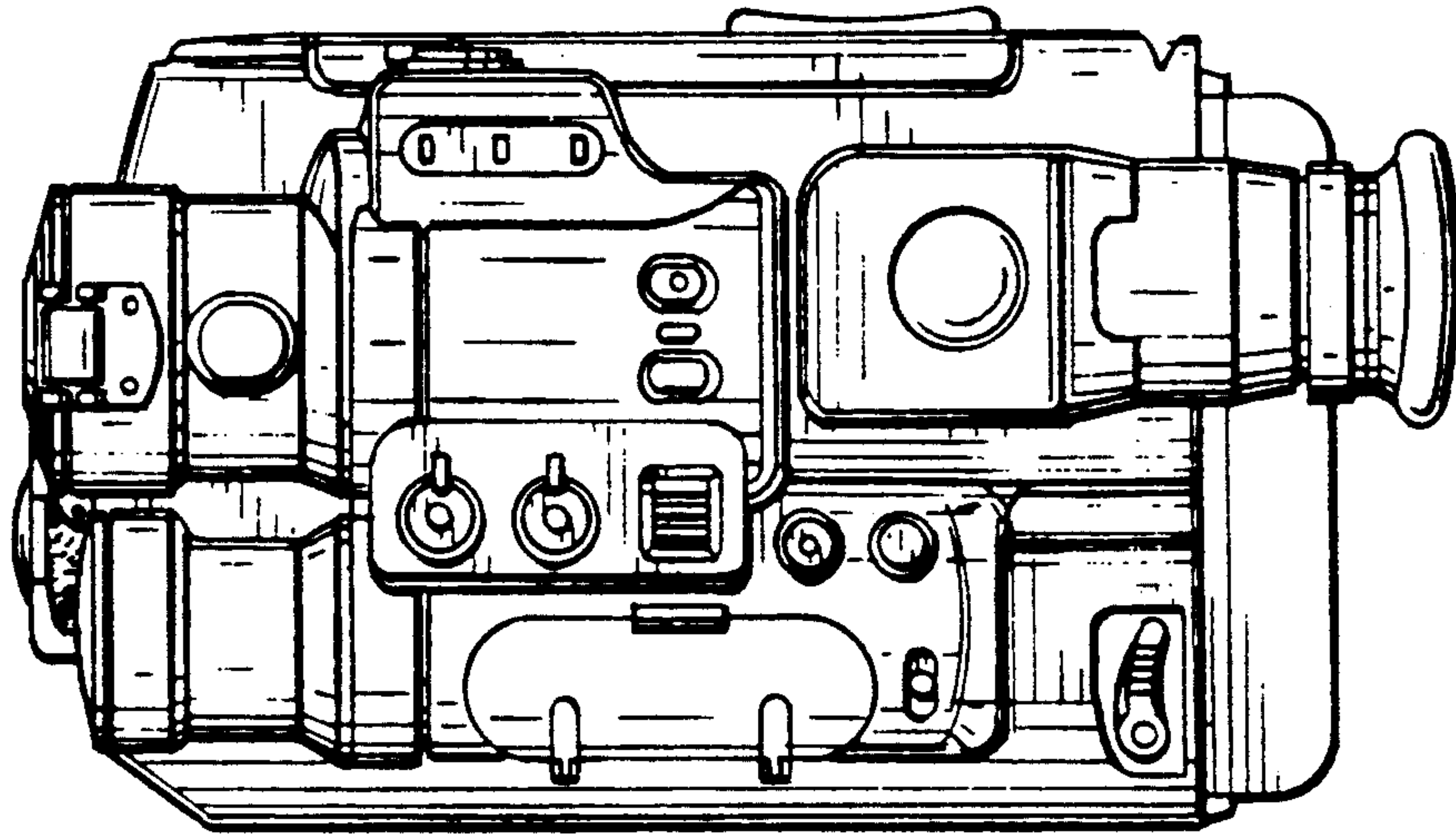
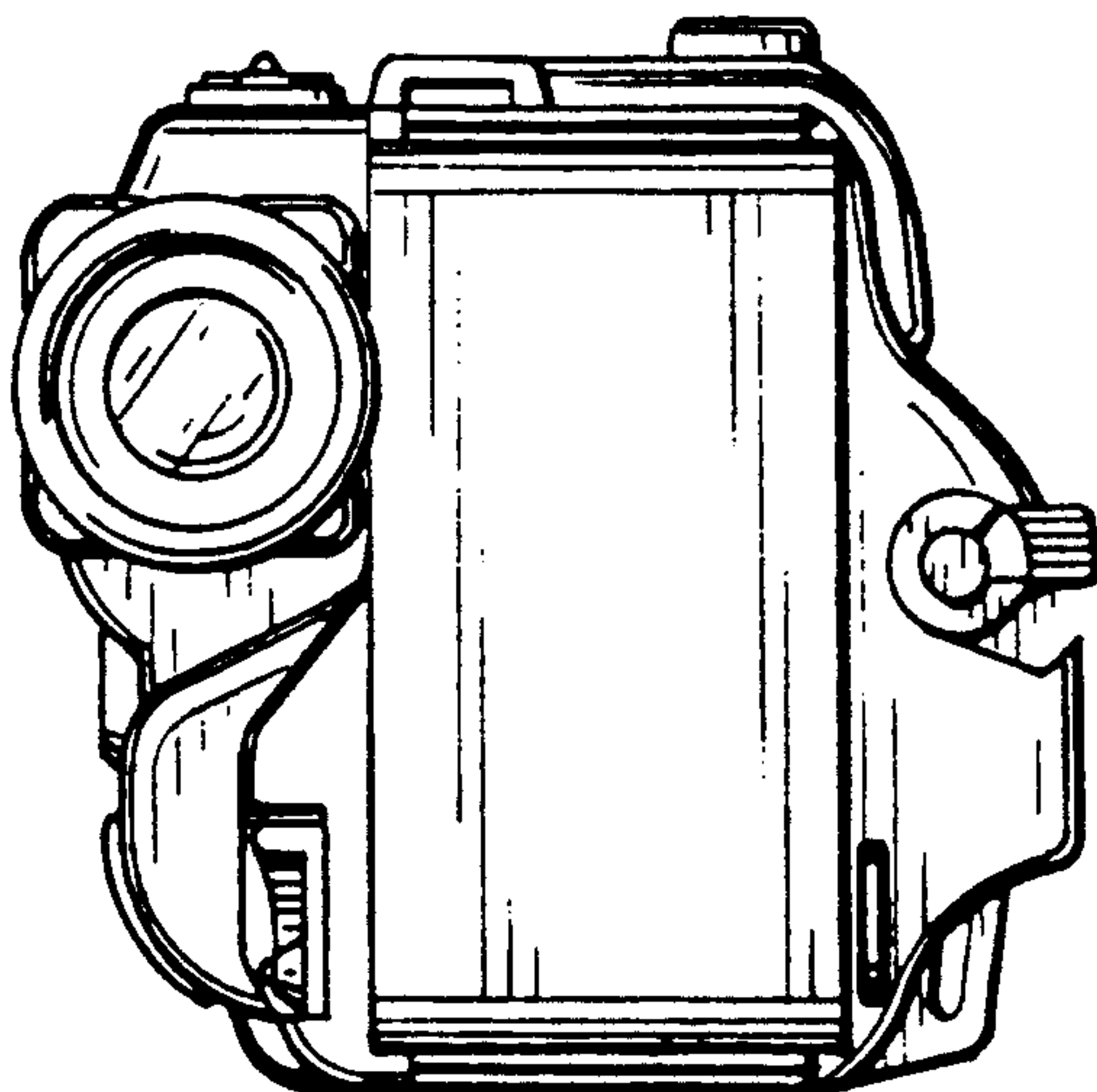


FIG. 6



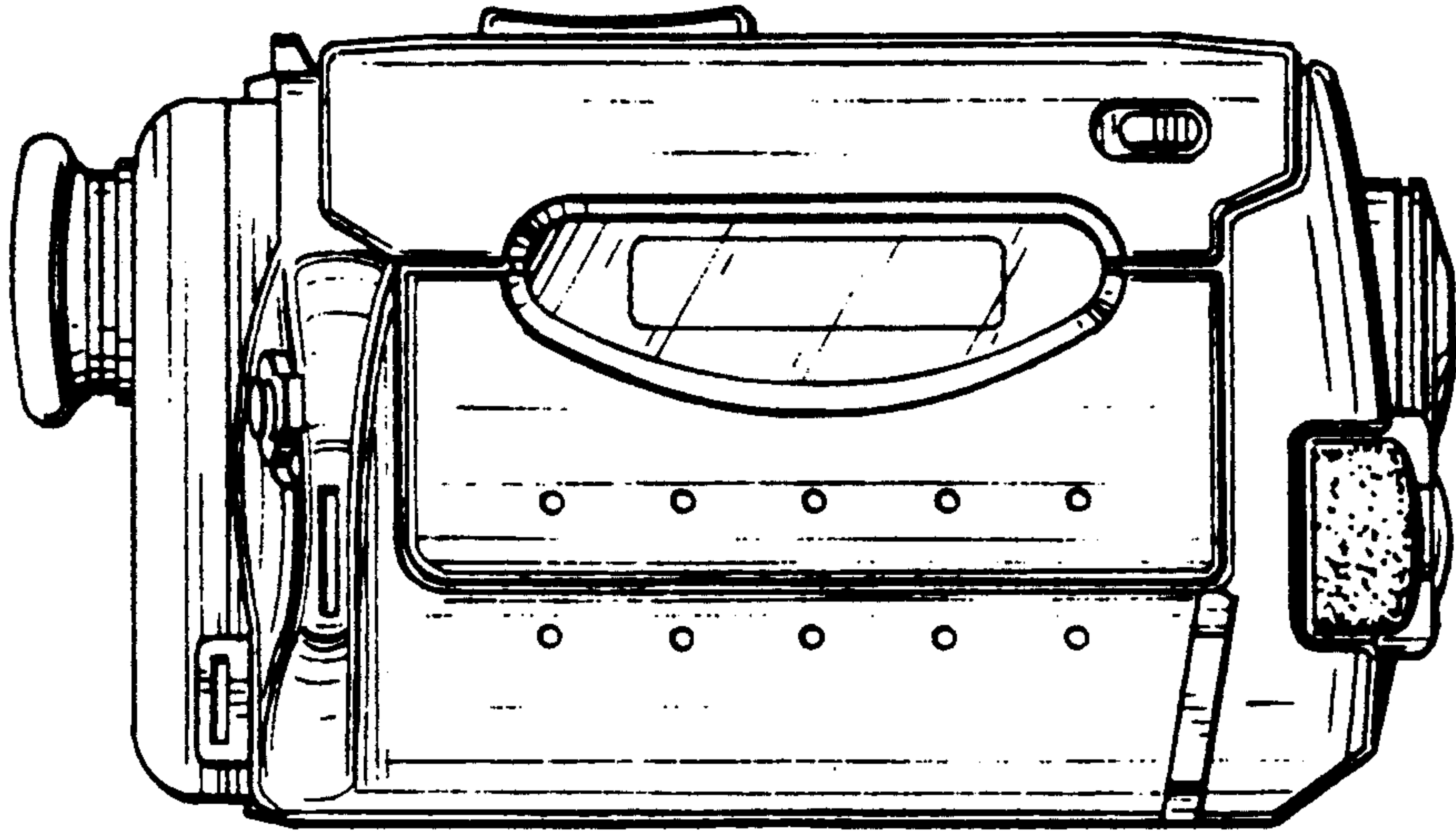
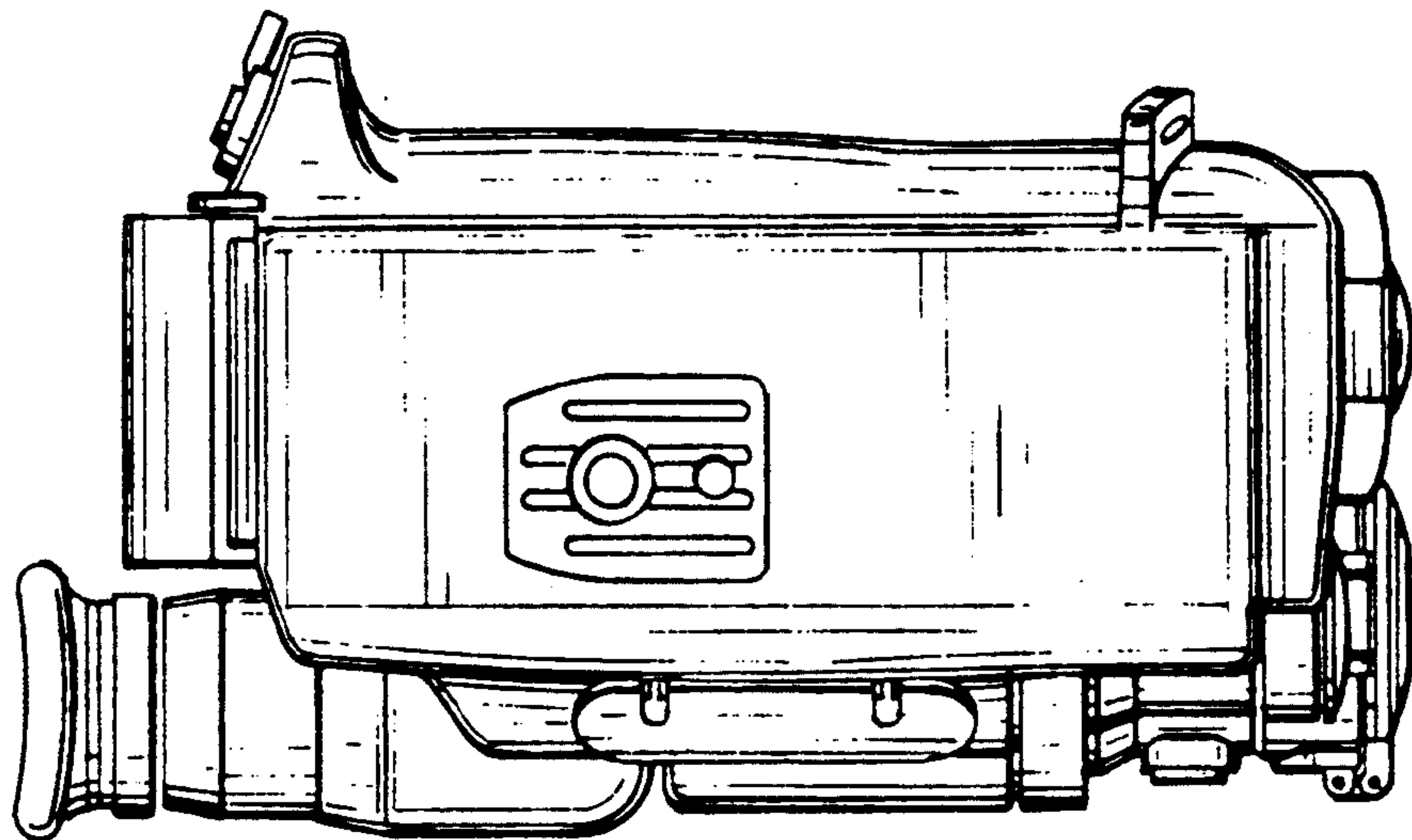


FIG. 7

FIG. 8



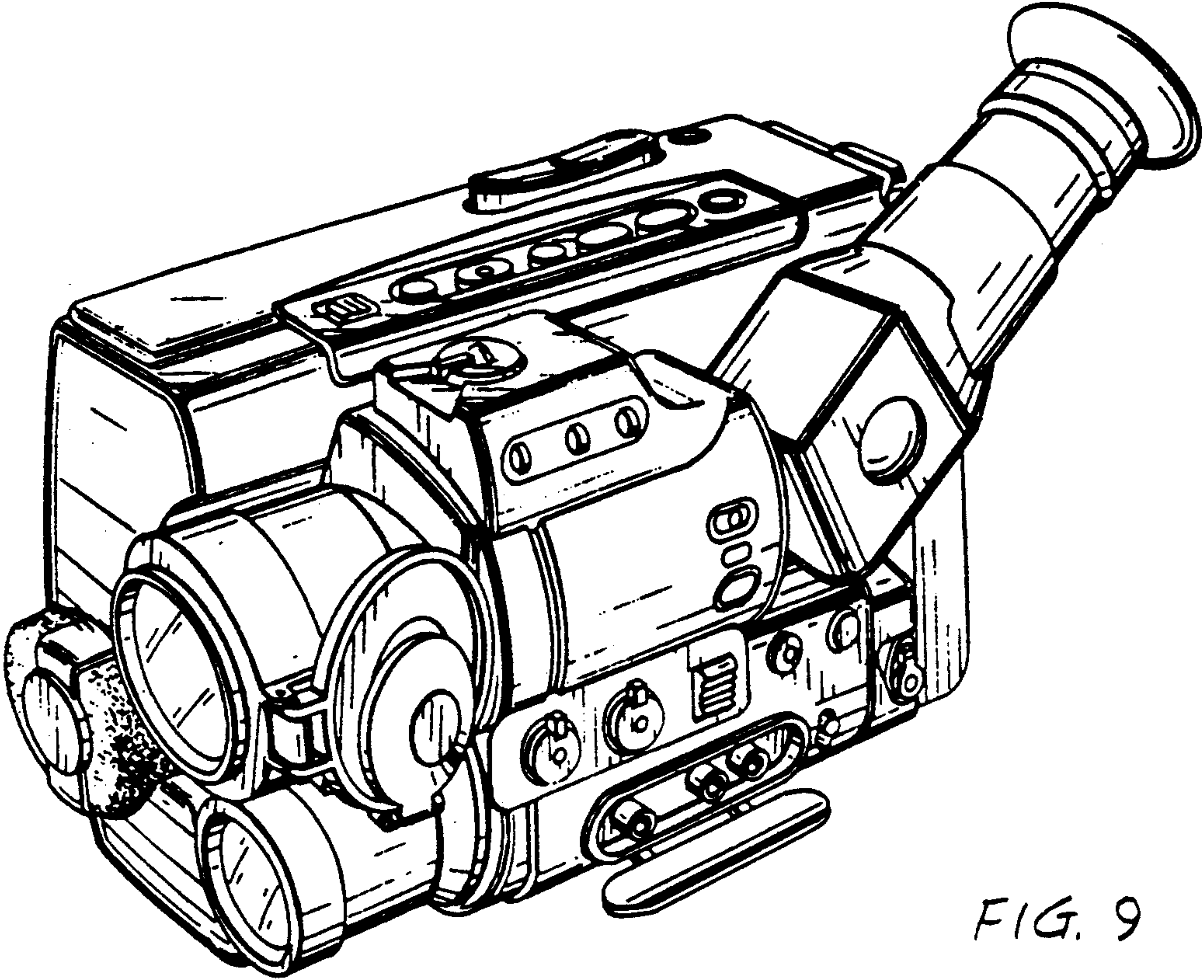


FIG. 9

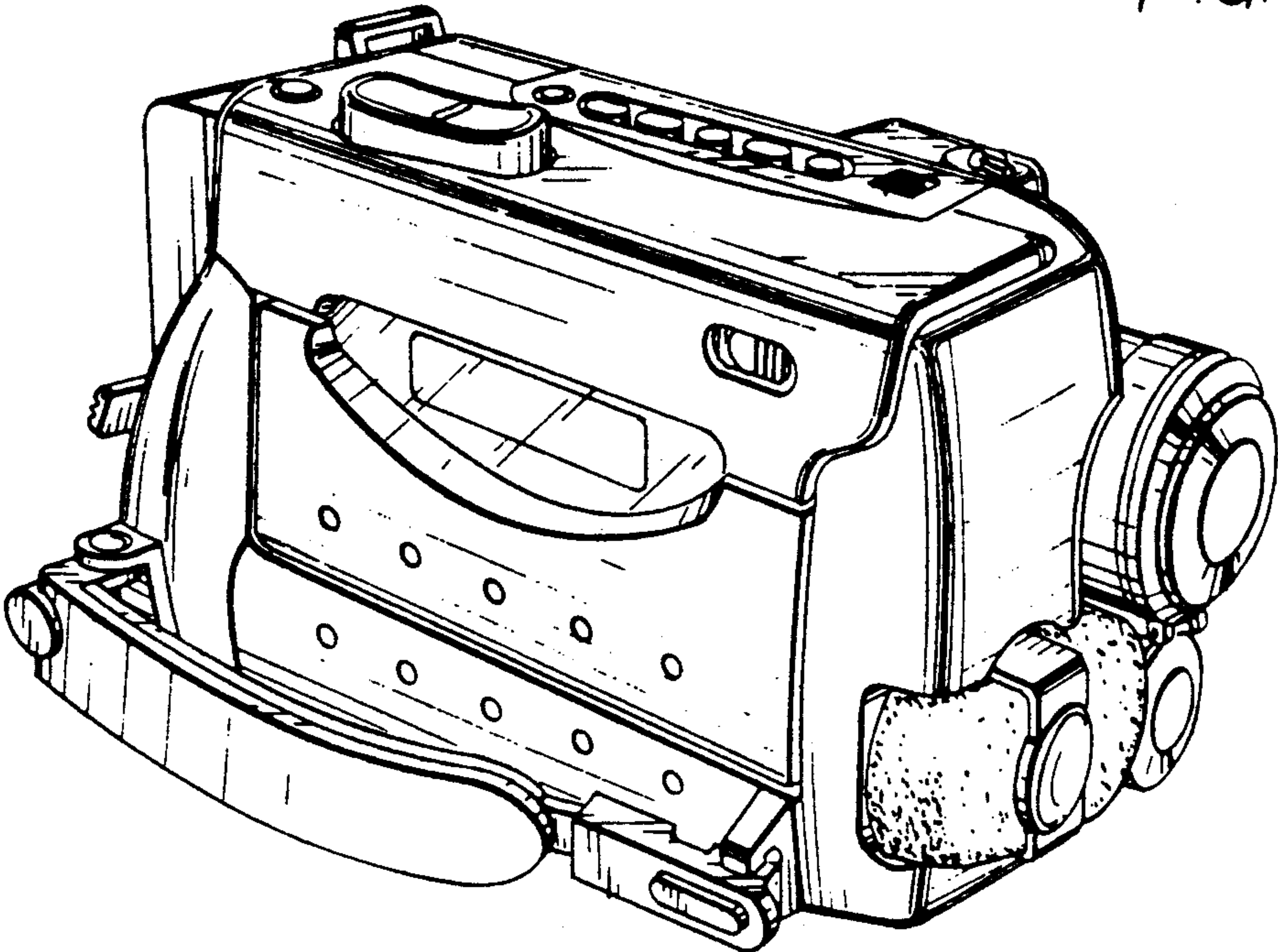


FIG. 10