



US00D341368S

United States Patent [19]

[11] Patent Number: Des. 341,368

Ooi et al.

[45] Date of Patent: ** Nov. 16, 1993

[54] COMBINED VIDEO TAPE RECORDER AND TELEVISION CAMERA

[75] Inventors: Hiroshi Ooi; Seiji Kurokawa, both of Tochigi, Japan

[73] Assignee: Sharp Kabushiki Kaisha, Osaka, Japan

[**] Term: 14 Years

[21] Appl. No.: 707,139

[22] Filed: May 30, 1991

[30] Foreign Application Priority Data

Nov. 30, 1990 [JP] Japan 2-40245

[52] U.S. Cl. D16/202

[58] Field of Search D16/200, 201, 202-205; 352/34, 242, 243; 354/82, 288; 358/224, 229, 906

[56] References Cited

U.S. PATENT DOCUMENTS

D. 314,782	2/1991	Hong	D16/202
D. 316,718	5/1991	Shim	D16/202
D. 325,921	5/1992	Ooi et al.	D16/202
D. 331,592	12/1992	Ooi et al.	D16/202
5,130,741	7/1992	Nishigaki et al.	354/145.1

OTHER PUBLICATIONS

Popular Photography, Nov. 1987 p. 23 (Panasonic PV-320).

Video Review, Oct. 1988 p. 38 (Hitachi VM 6000A).

Primary Examiner—Bernard Ansher
Assistant Examiner—Adir Aronovich
Attorney, Agent, or Firm—Nixon & Vanderhye

[57] CLAIM

The ornamental design for a combined video tape recorder and television camera, as shown and described.

DESCRIPTION

FIG. 1 is a top, front and right side perspective view of a combined video tape recorder and television camera showing our new design;

FIG. 2 is a right side elevational view thereof;

FIG. 3 is a left side elevational view thereof;

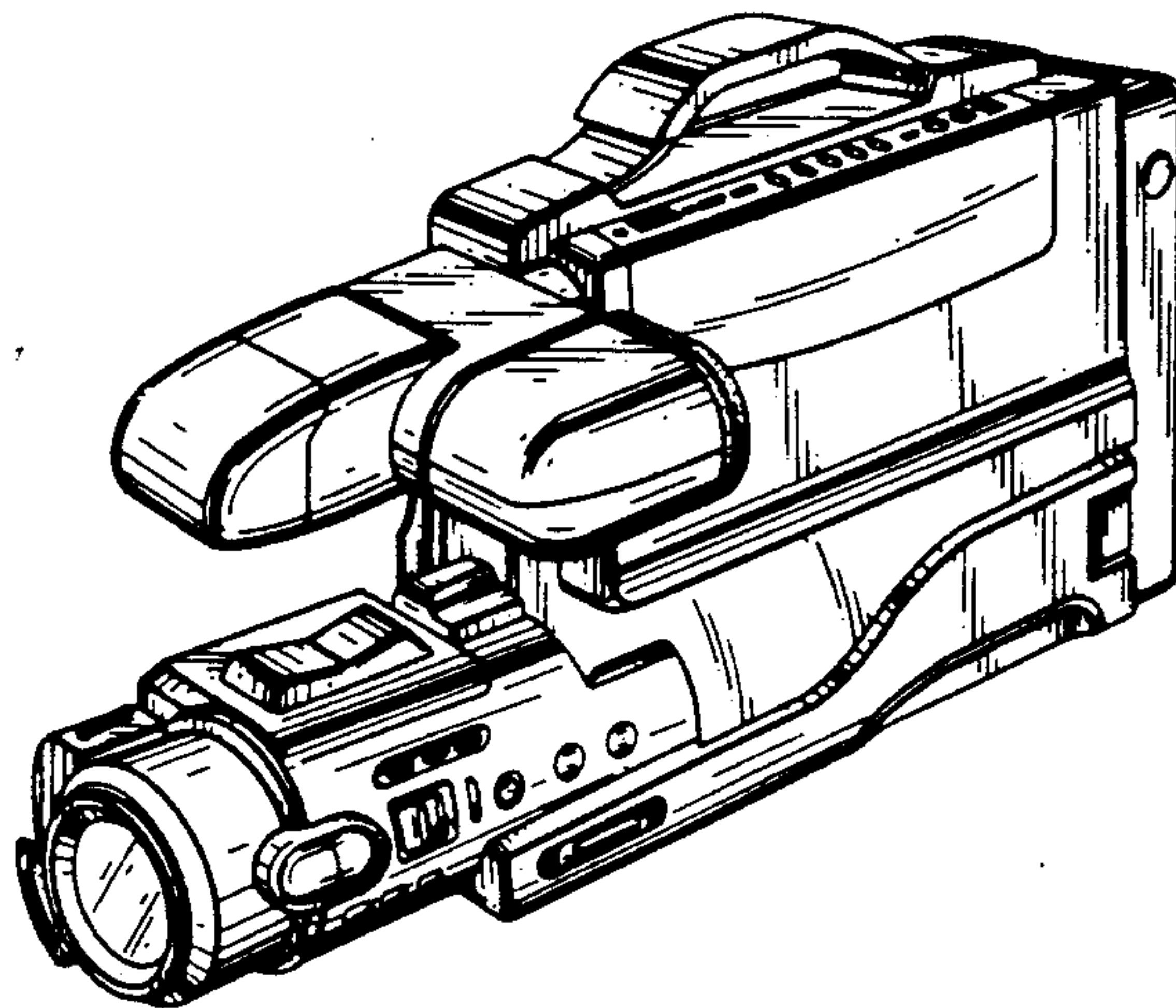
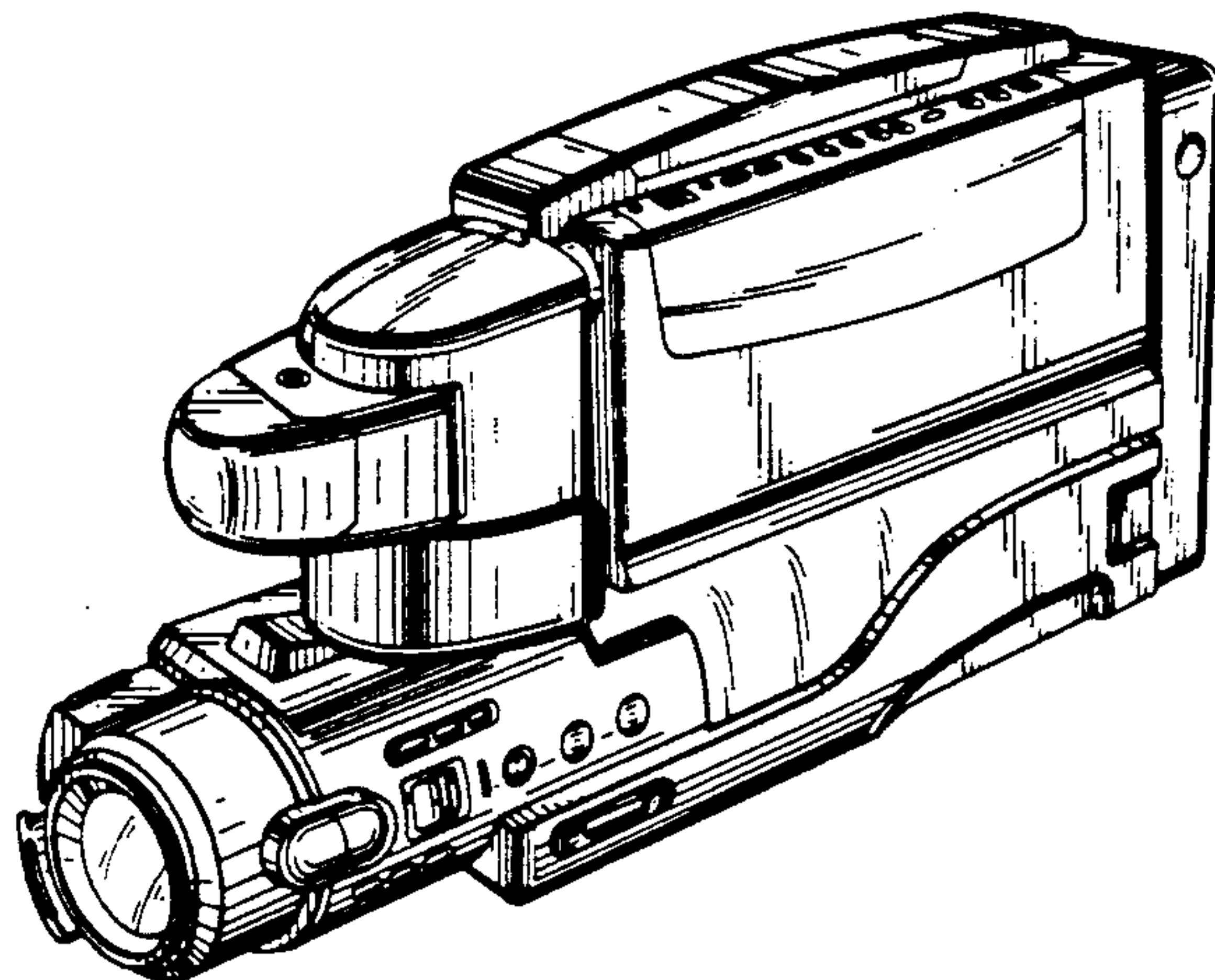
FIG. 4 is a rear elevational view thereof;

FIG. 5 is a front elevational view thereof;

FIG. 6 is a bottom plan view thereof;

FIG. 7 is a top plan view thereof; and,

FIG. 8 is a top, front and right side perspective view thereof, the view finder and handle being in an alternative position to that shown in FIG. 1.



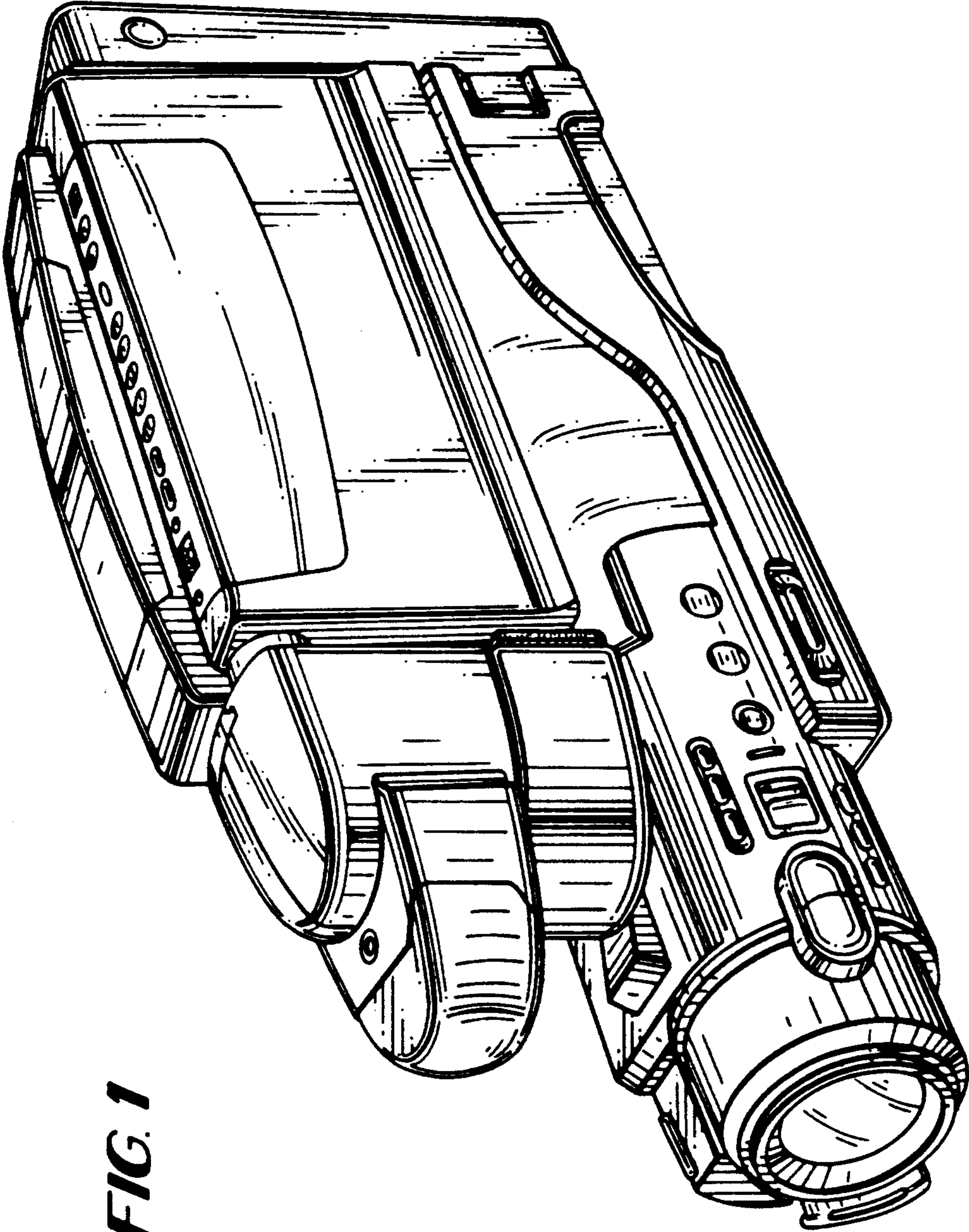


FIG. 1

FIG. 2

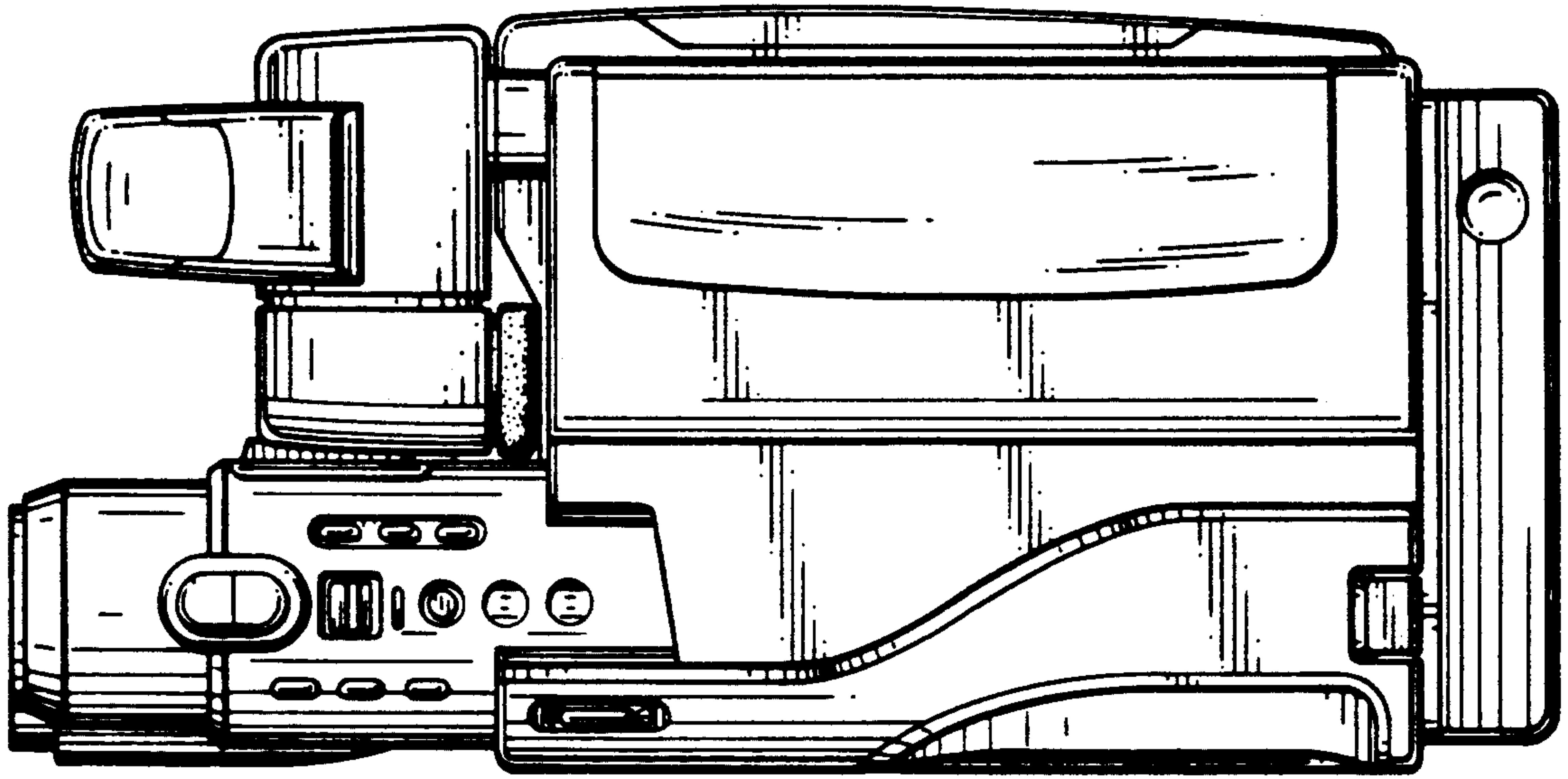
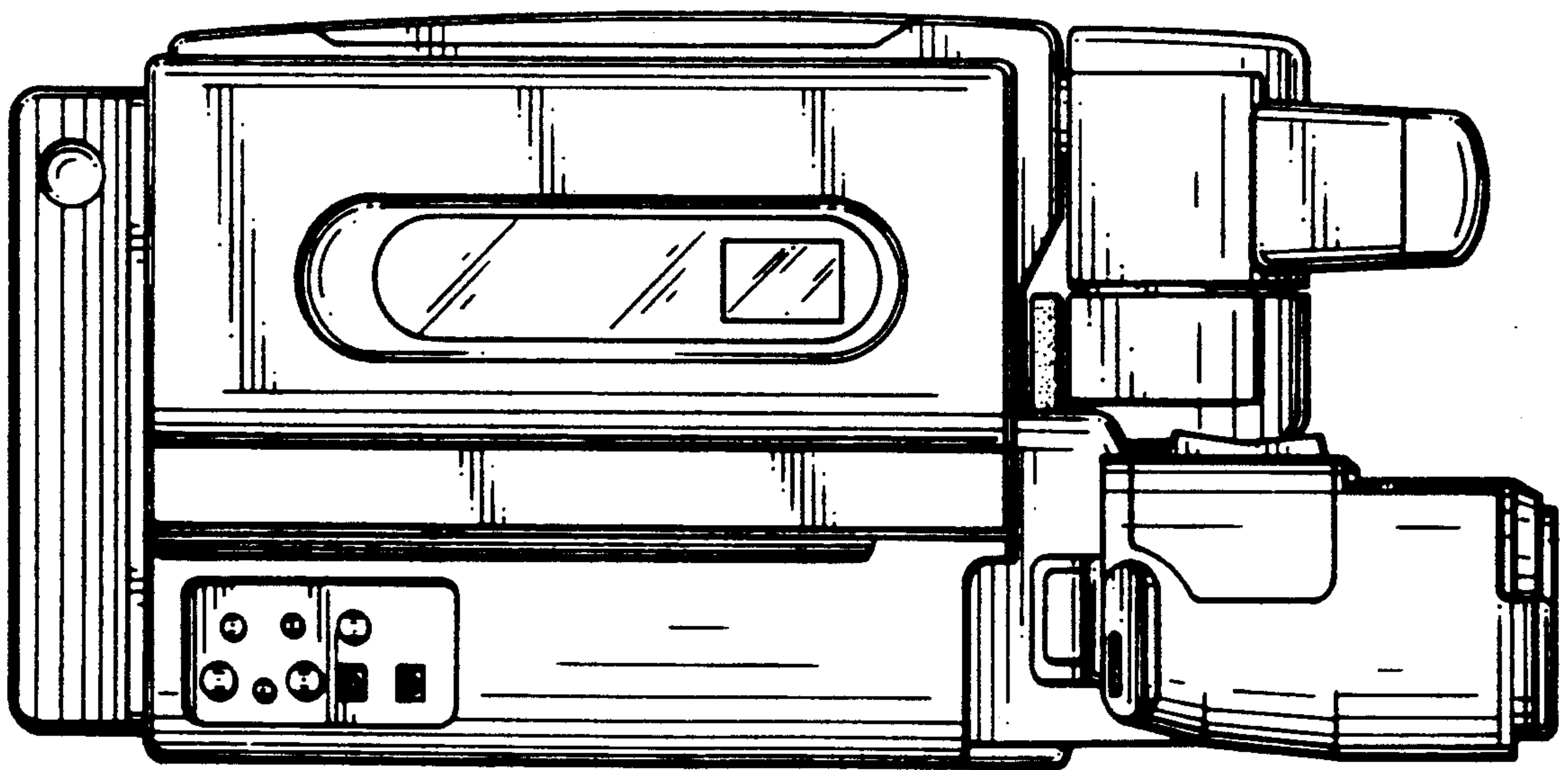


FIG. 3



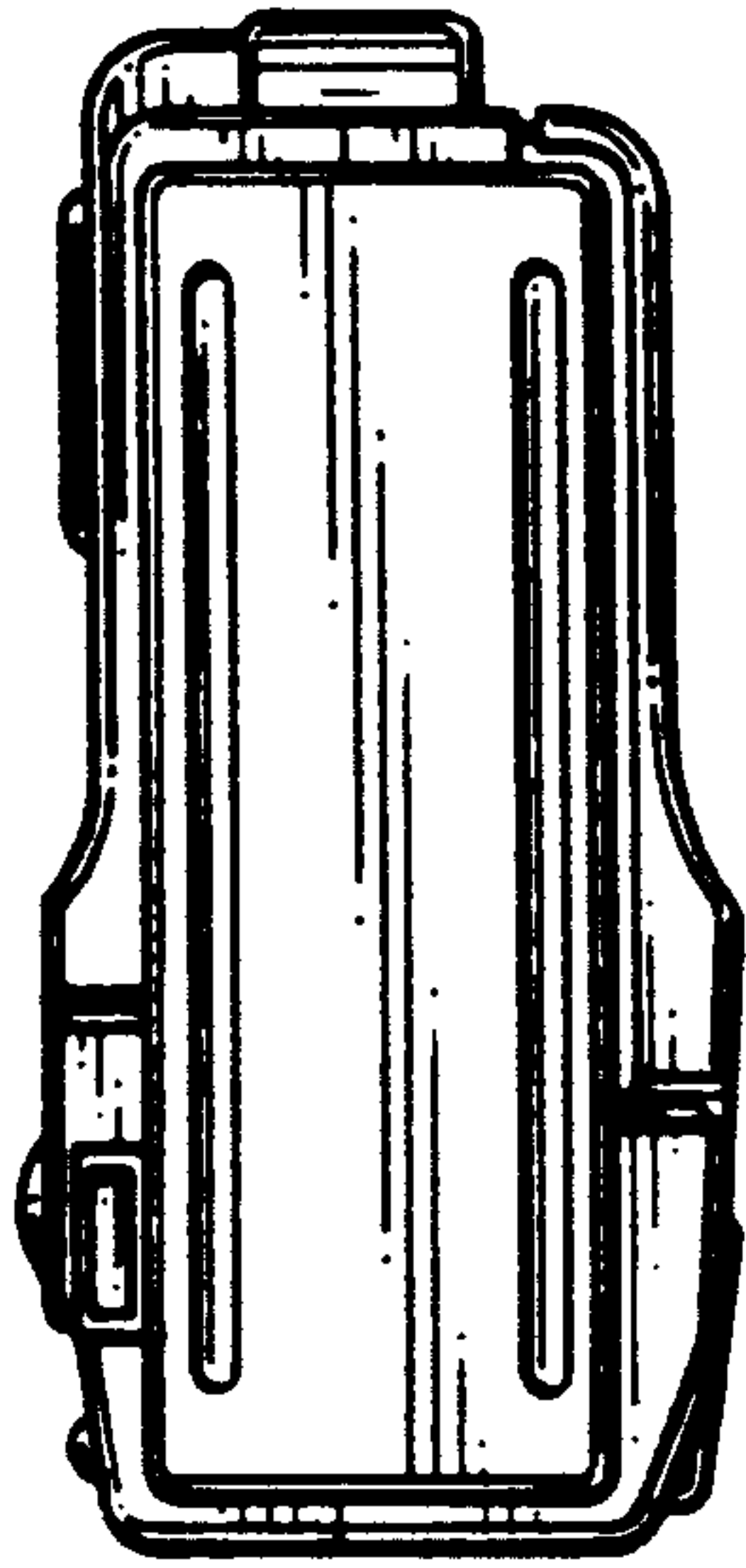


FIG. 4

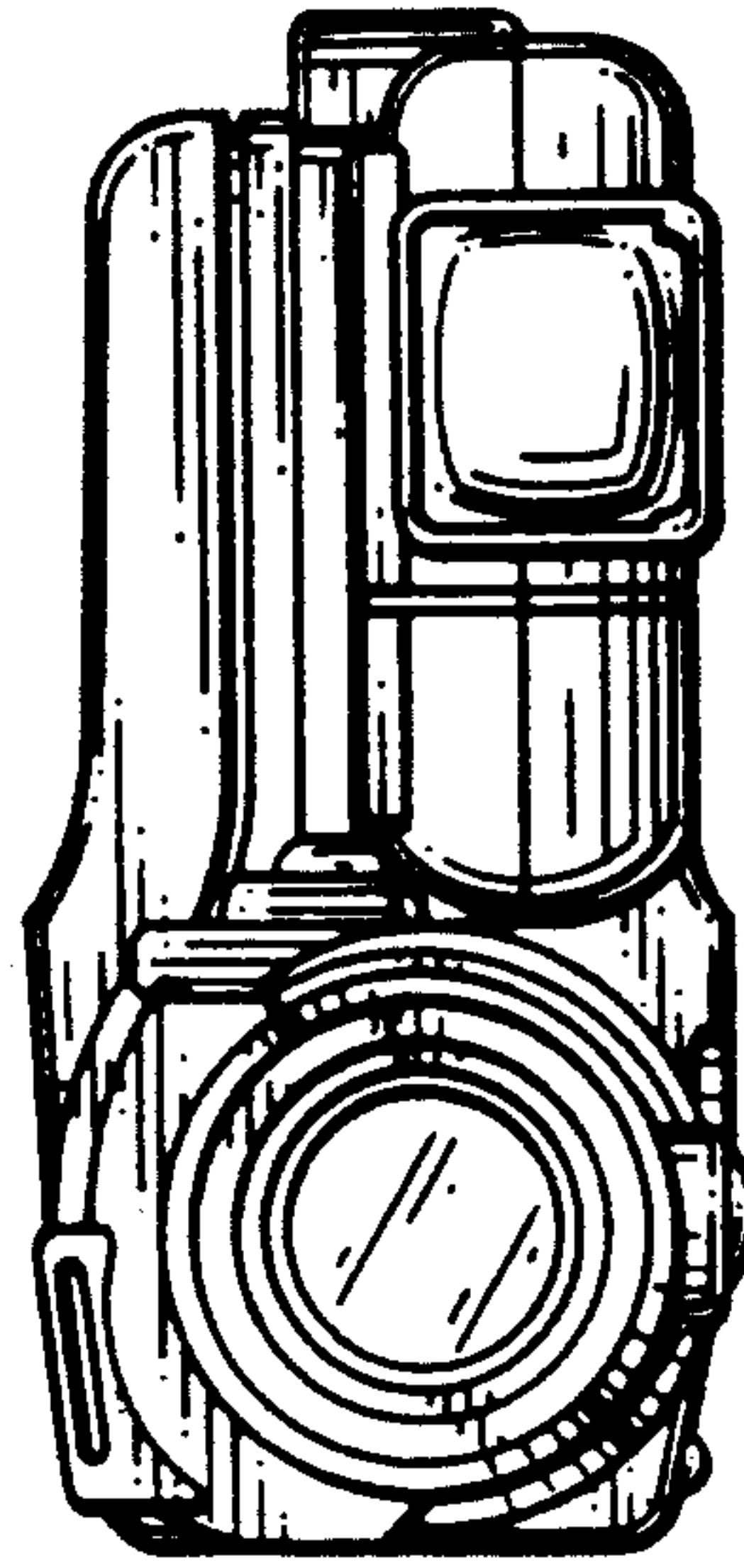


FIG. 5

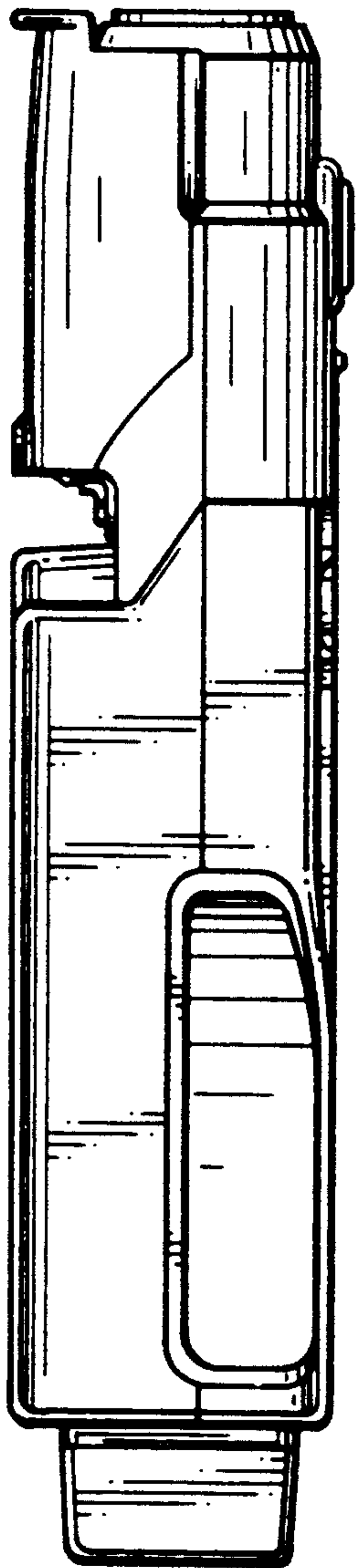


FIG. 6

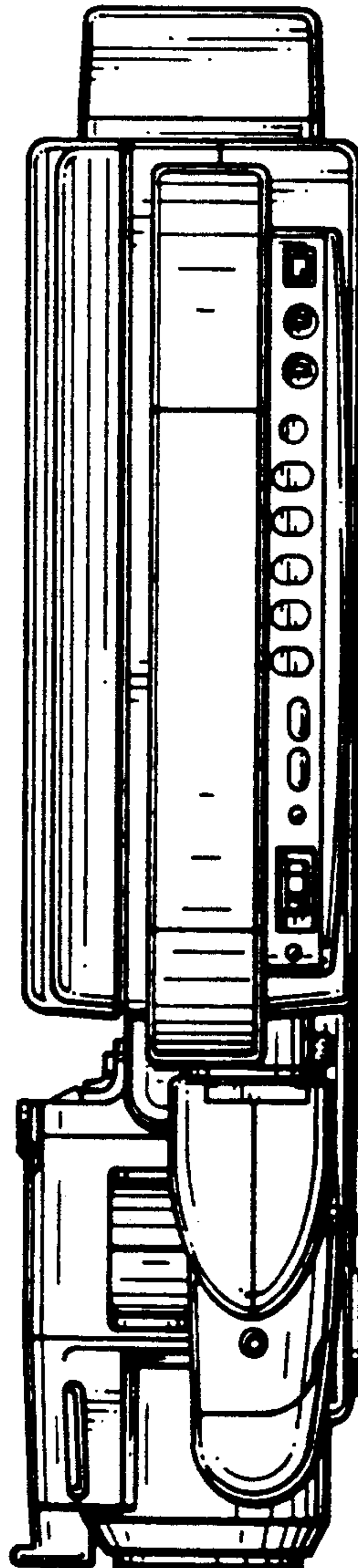


FIG. 7

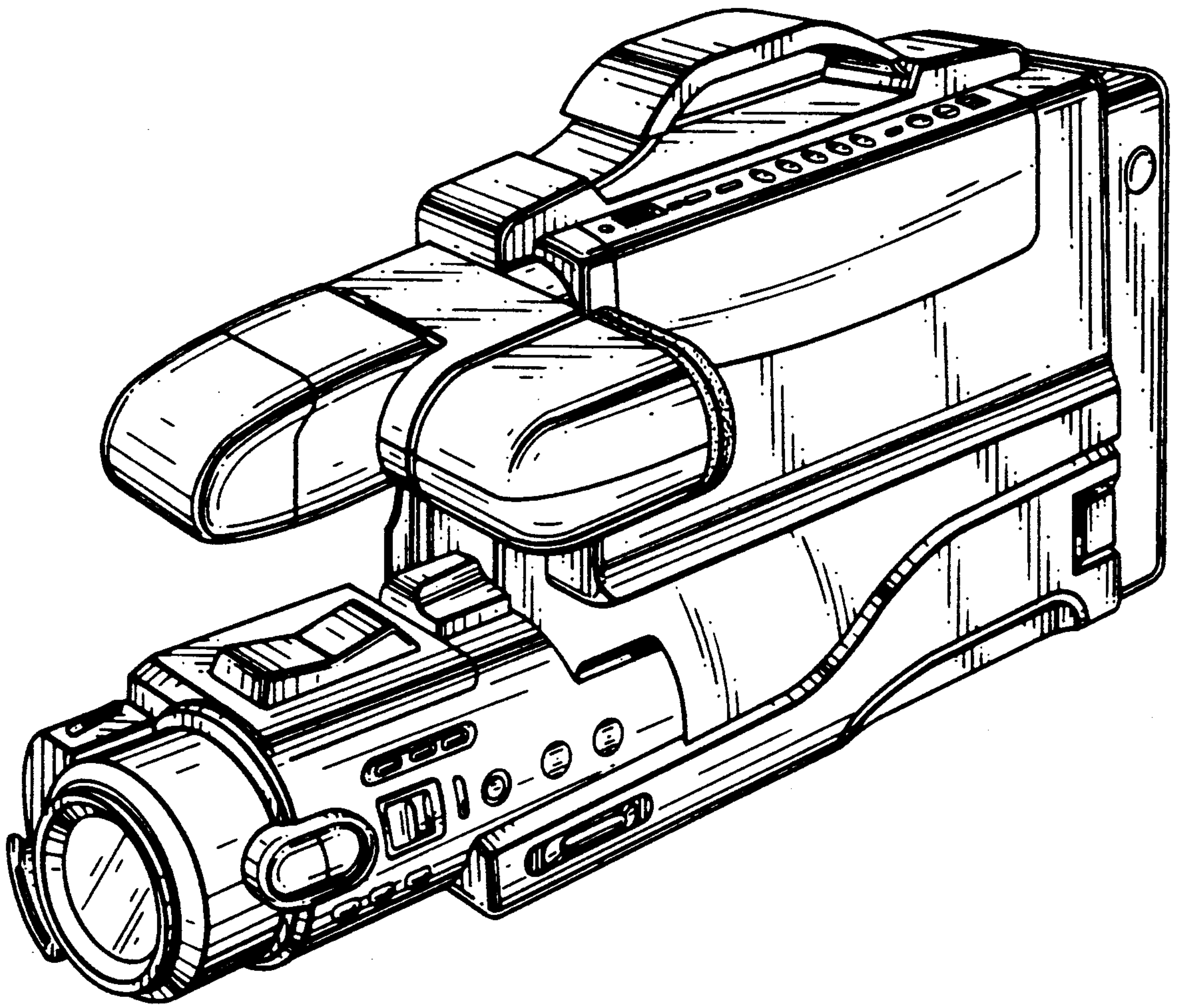


FIG. 8