



US00D341363S

# United States Patent [19]

[11] Patent Number: **Des. 341,363**

**Chambers**

[45] Date of Patent: **\*\* Nov. 16, 1993**

[54] **TELEPHONE OFF-HOOK INDICATOR**

[76] Inventor: **Danny A. Chambers**, 1414 Delta Rd., San Diego, Calif. 92126

[\*\*] Term: **14 Years**

[21] Appl. No.: **909,624**

[22] Filed: **Jul. 7, 1992**

[52] U.S. Cl. .... **D14/240**

[58] Field of Search ..... **D14/100, 107, 114, 140, D14/240, 151, 248, 256; D13/184; 379/441, 440, 428, 419, 422, 447**

D. 311,389 10/1990 Festa et al. .... D13/184 X  
D. 314,746 2/1991 Benjamin ..... D14/256 X  
D. 326,267 5/1992 Weiser et al. .... D14/140 X

*Primary Examiner*—Alan P. Douglas  
*Assistant Examiner*—Jeffrey Asch  
*Attorney, Agent, or Firm*—J. F. McLellan

[57] **CLAIM**

The ornamental design for a telephone off-hook indicator, as shown.

**DESCRIPTION**

FIG. 1 is a perspective view of the ornamental design; FIG. 2 is a top plan view thereof; FIG. 3 is a bottom plan view thereof; FIG. 4 is a right end elevational view thereof; FIG. 5 is a left end elevational view thereof; FIG. 6 is a front side elevational view thereof; and, FIG. 7 is a rear side elevational view thereof.

[56] **References Cited**

**U.S. PATENT DOCUMENTS**

D. 152,922 3/1949 Shipton ..... D14/248  
D. 253,281 10/1979 Kim ..... D13/184 X  
D. 306,026 2/1990 Boykiw ..... D14/151 X  
D. 308,664 6/1990 Freeman et al. .... D14/256

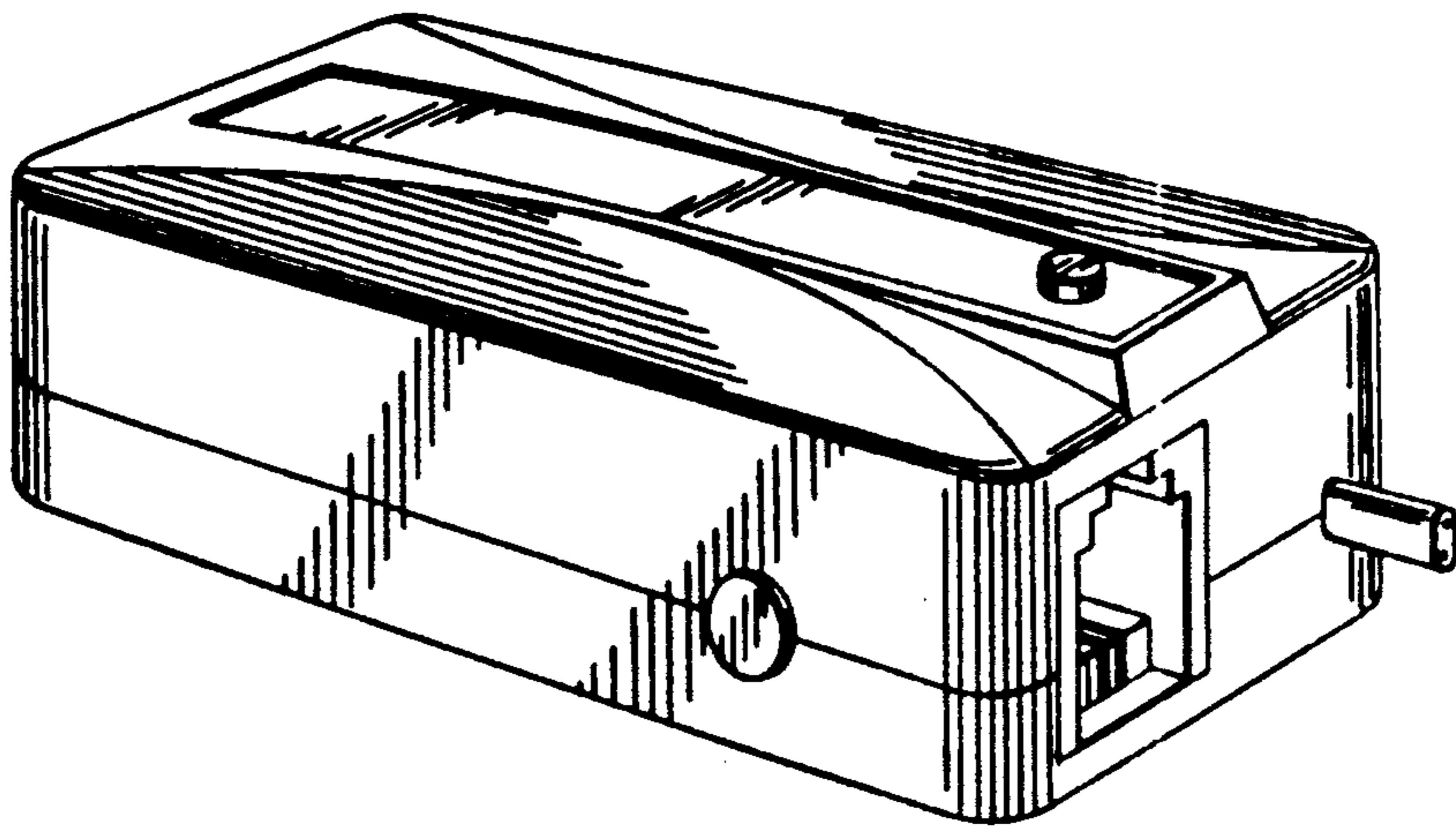


FIG. 1

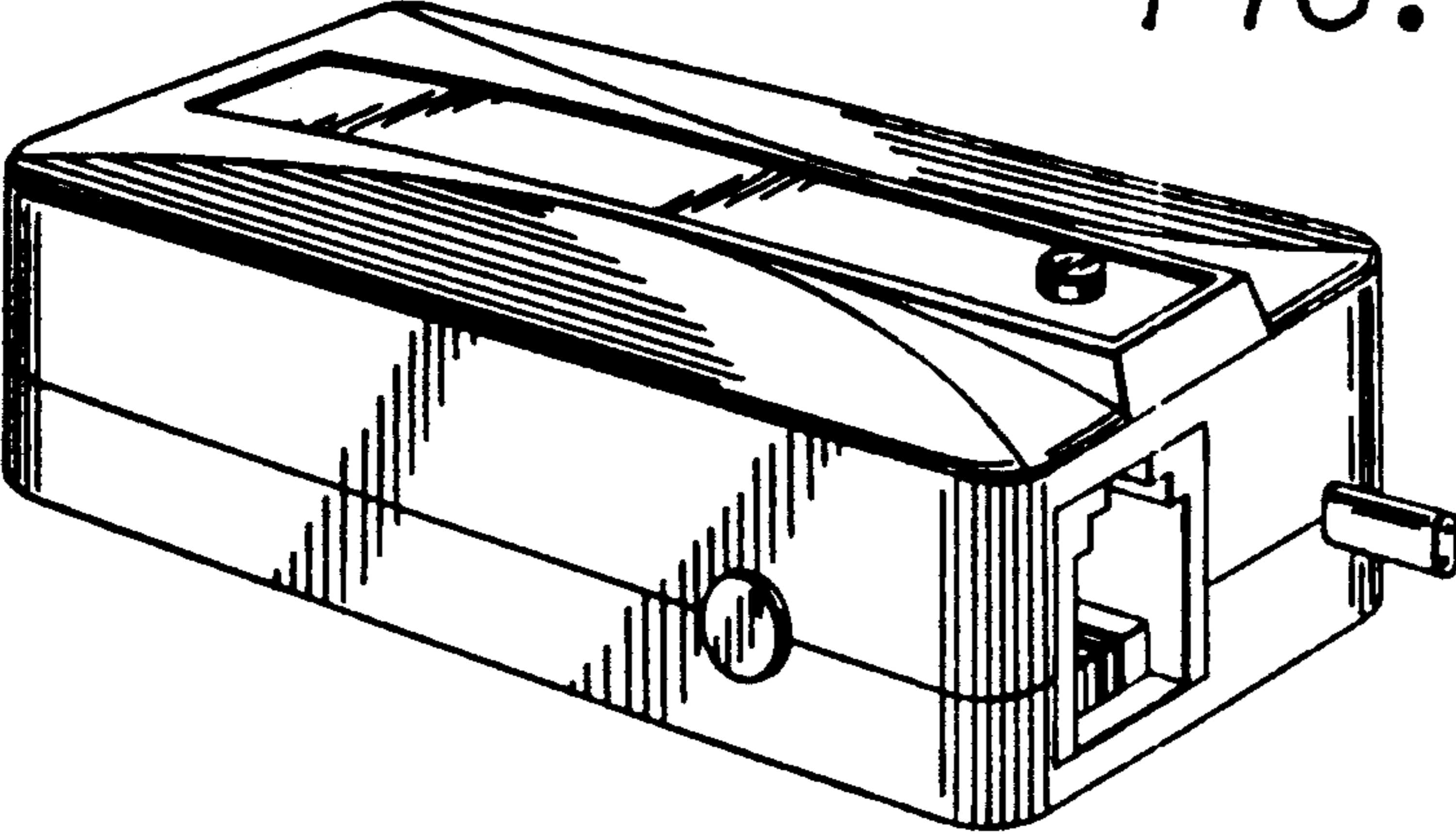


FIG. 2

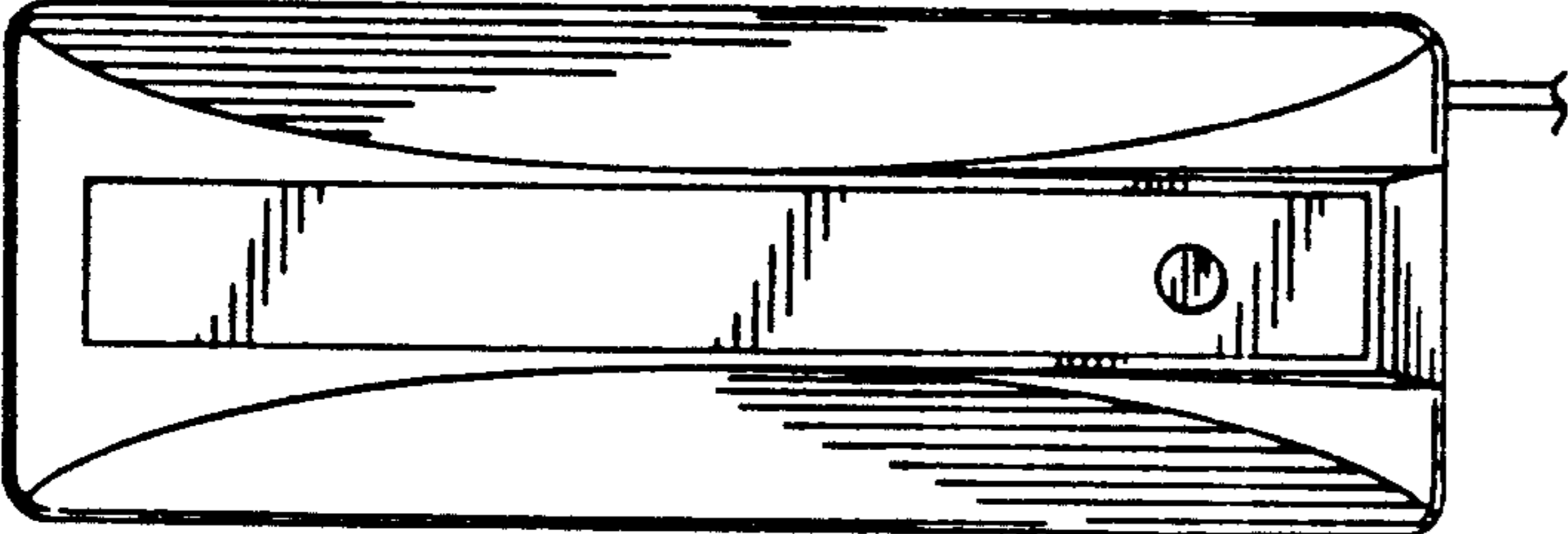


FIG. 3

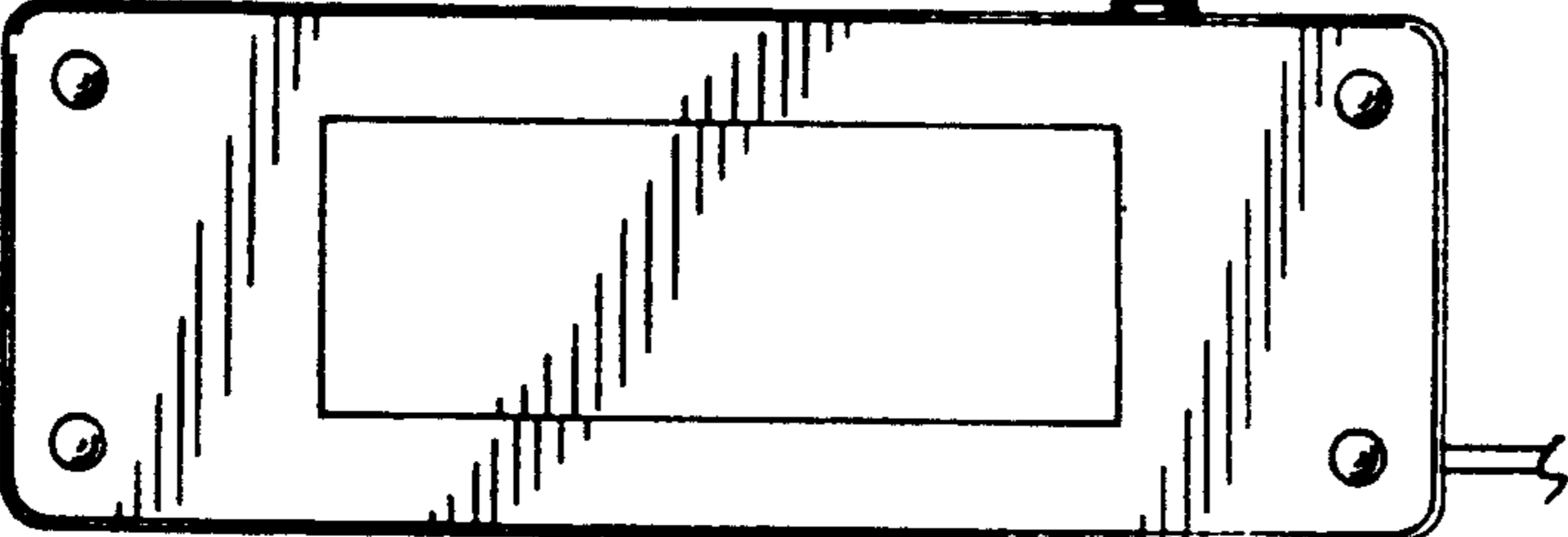


FIG. 6



FIG. 7

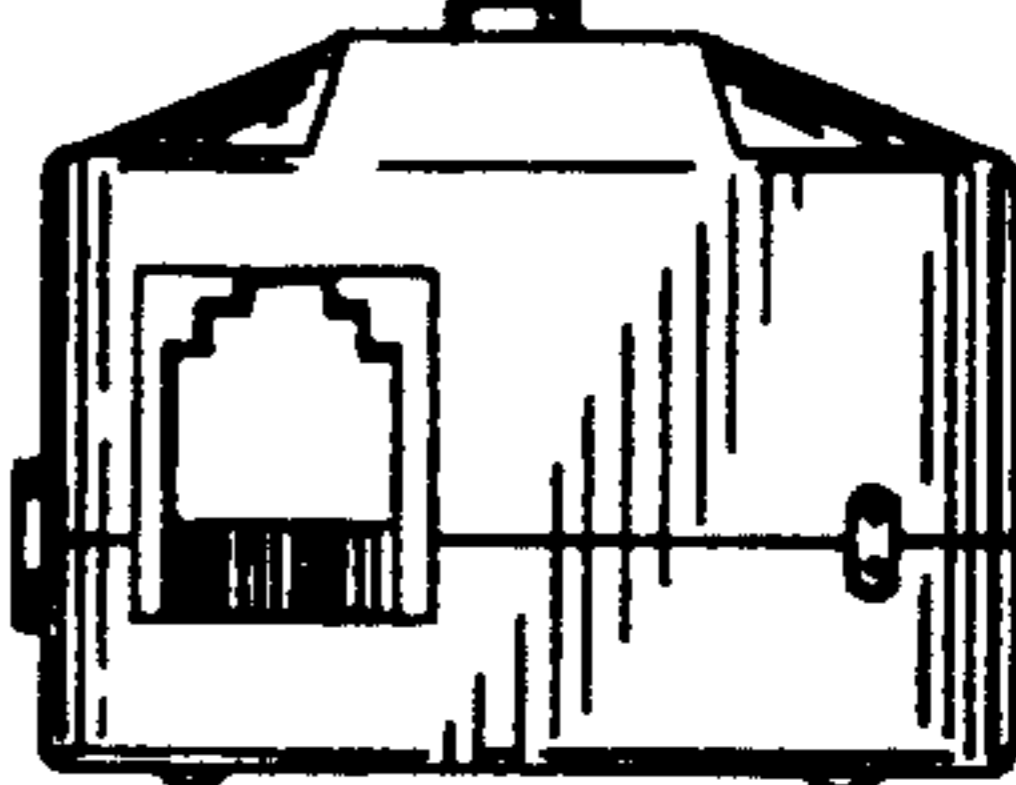
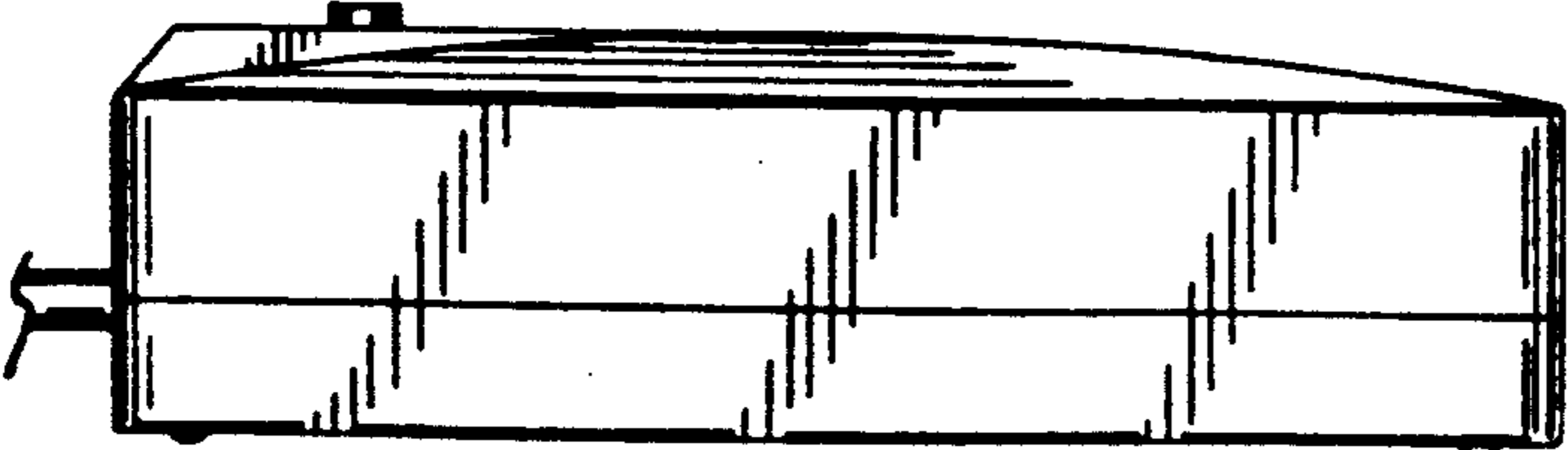


FIG. 4

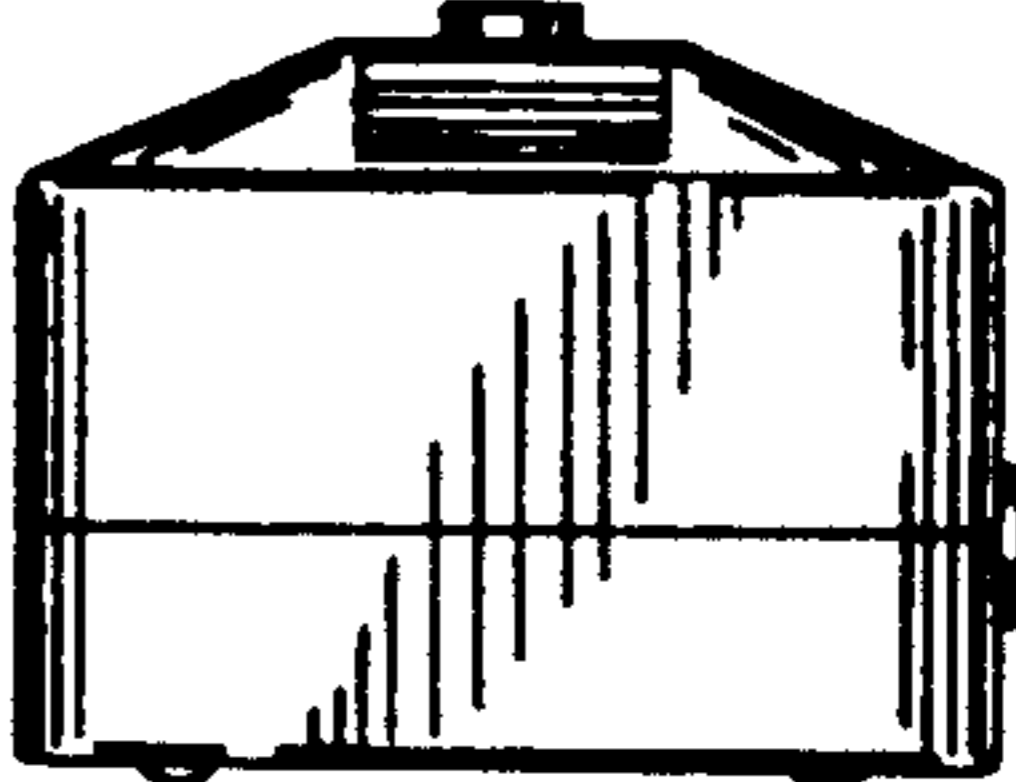


FIG. 5