



US00D341360S

United States Patent [19]

[11] Patent Number: Des. 341,360

Yamazaki

[45] Date of Patent: ** Nov. 16, 1993

[54] **KEYBOARD**

[75] Inventor: **Kazuhiko Yamazaki**, Hiratsuka, Japan

[73] Assignee: **International Business Machines Corporation**, Armonk, N.Y.

[**] Term: **14 Years**

[21] Appl. No.: **756,114**

[22] Filed: **Sep. 6, 1991**

[30] **Foreign Application Priority Data**

Mar. 7, 1991 [JP] Japan 3-5966

[52] U.S. Cl. **D14/115**

[58] Field of Search **D14/100, 106, 115; D18/1, 7; 235/145 A, 145 R; 340/700, 706; 341/22, 23; 364/708, 709.04; 361/390, 394**

[56] **References Cited**

U.S. PATENT DOCUMENTS

- D. 292,706 11/1987 Fischer D14/100 X
- D. 308,855 6/1990 Schaum D14/100
- D. 310,069 8/1990 Leone et al. D14/100
- D. 310,516 9/1990 Hara et al. D14/100
- D. 327,881 7/1992 McFarlane D14/115
- D. 329,848 9/1992 Mizusugi et al. D14/115
- D. 330,907 11/1992 Burke D18/7

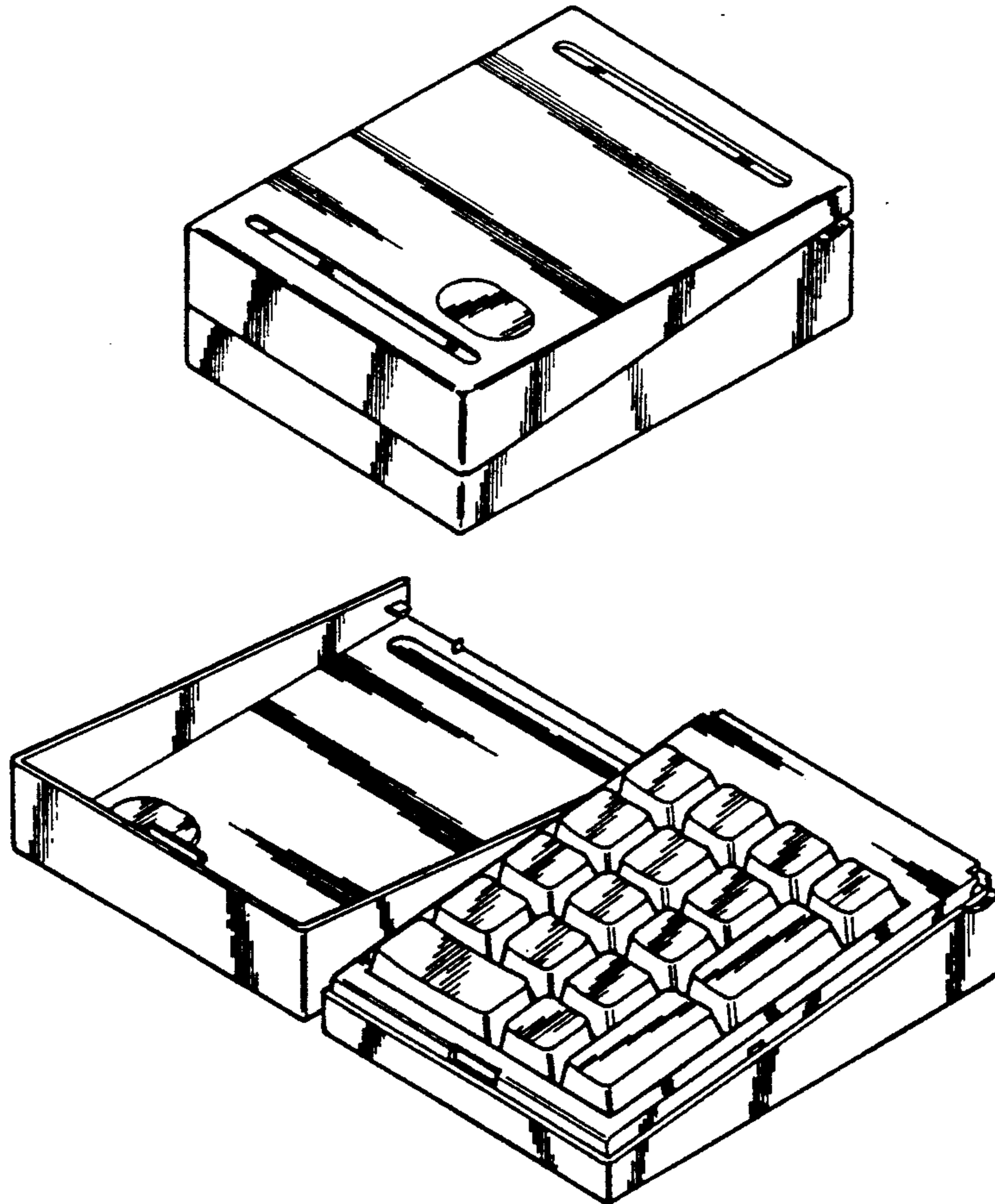
Primary Examiner—Wallace R. Burke
Assistant Examiner—Freda S. Nunn
Attorney, Agent, or Firm—Bernard D. Bogdon

[57] **CLAIM**

The ornamental design for a keyboard, as shown and described.

DESCRIPTION

FIG. 1 is a perspective view of the keyboard with the detachable cover closed, showing our new design;
 FIG. 2 is a perspective view thereof with the cover detached;
 FIG. 3 is a perspective view thereof when mounted on the detached cover;
 FIG. 4 is a front elevational view thereof with the cover opened;
 FIG. 5 is a rear elevational view thereof with the cover opened;
 FIG. 6 is a top plan view thereof with the cover opened;
 FIG. 7 is a bottom plan view thereof with the cover opened, with the cover disposed at the bottom of the view;
 FIG. 8 is a left side elevational view thereof with the cover opened; and,
 FIG. 9 is a right side elevational view thereof with the cover opened.



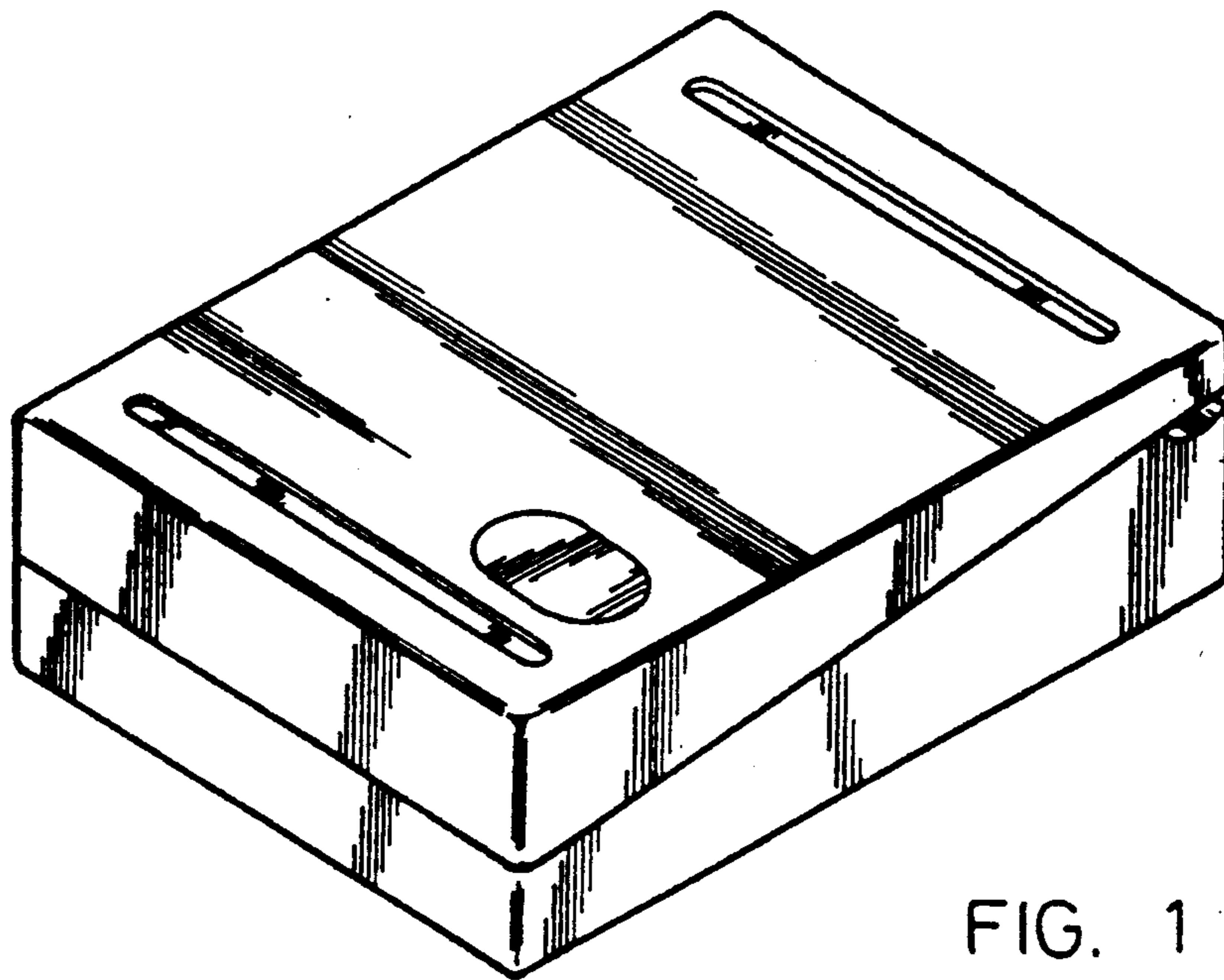


FIG. 1

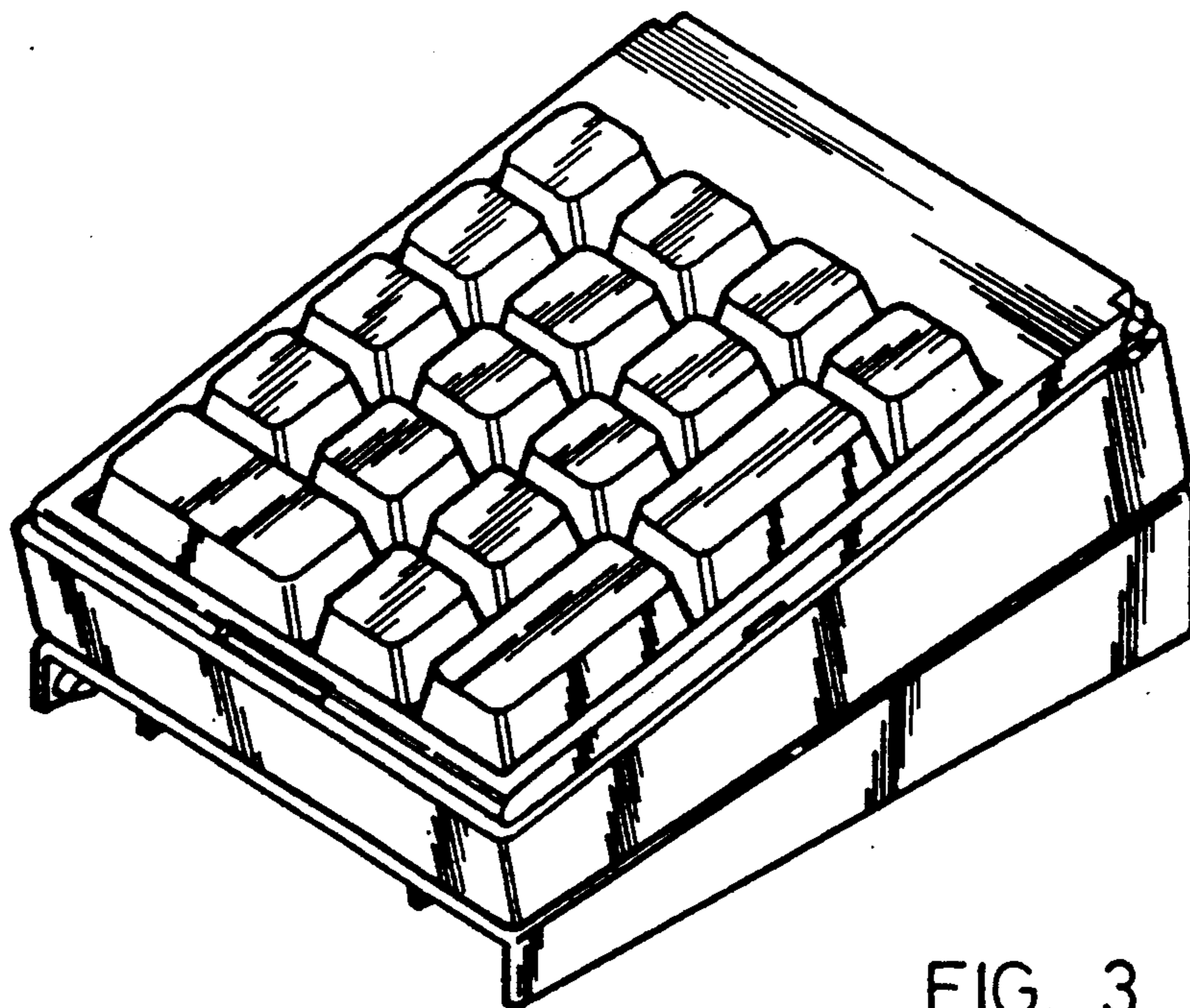


FIG. 3

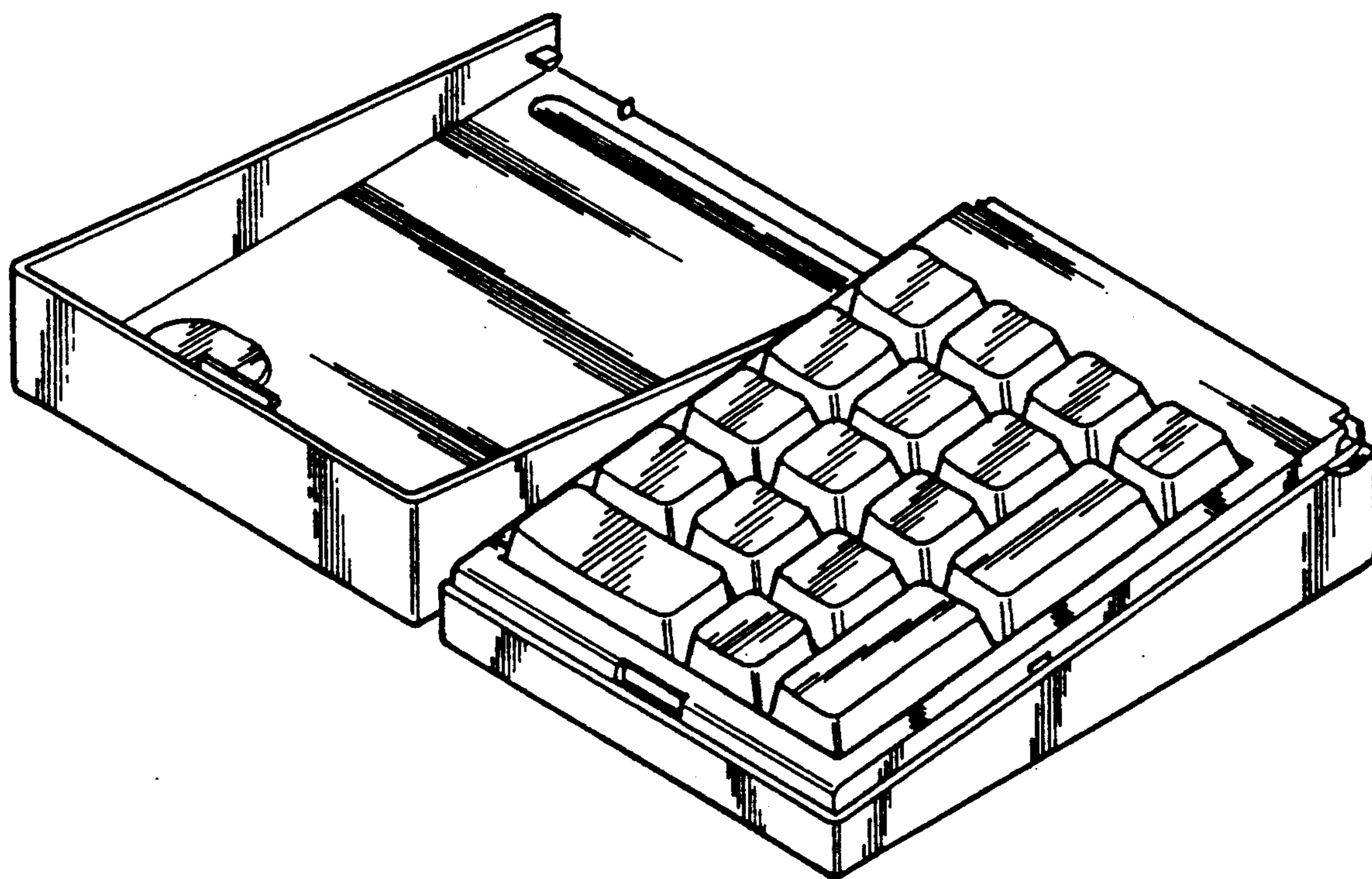


FIG. 2

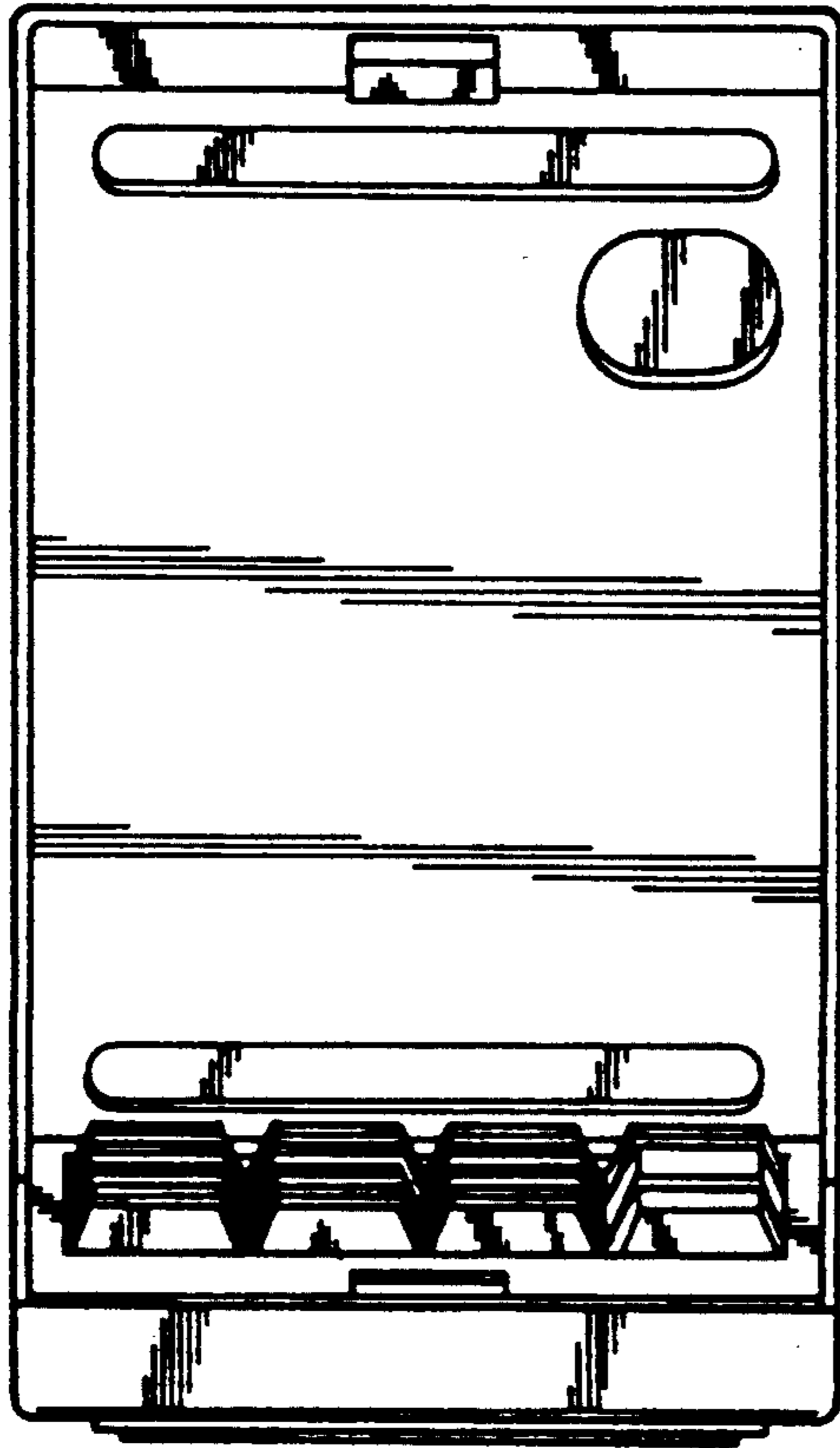


FIG. 4

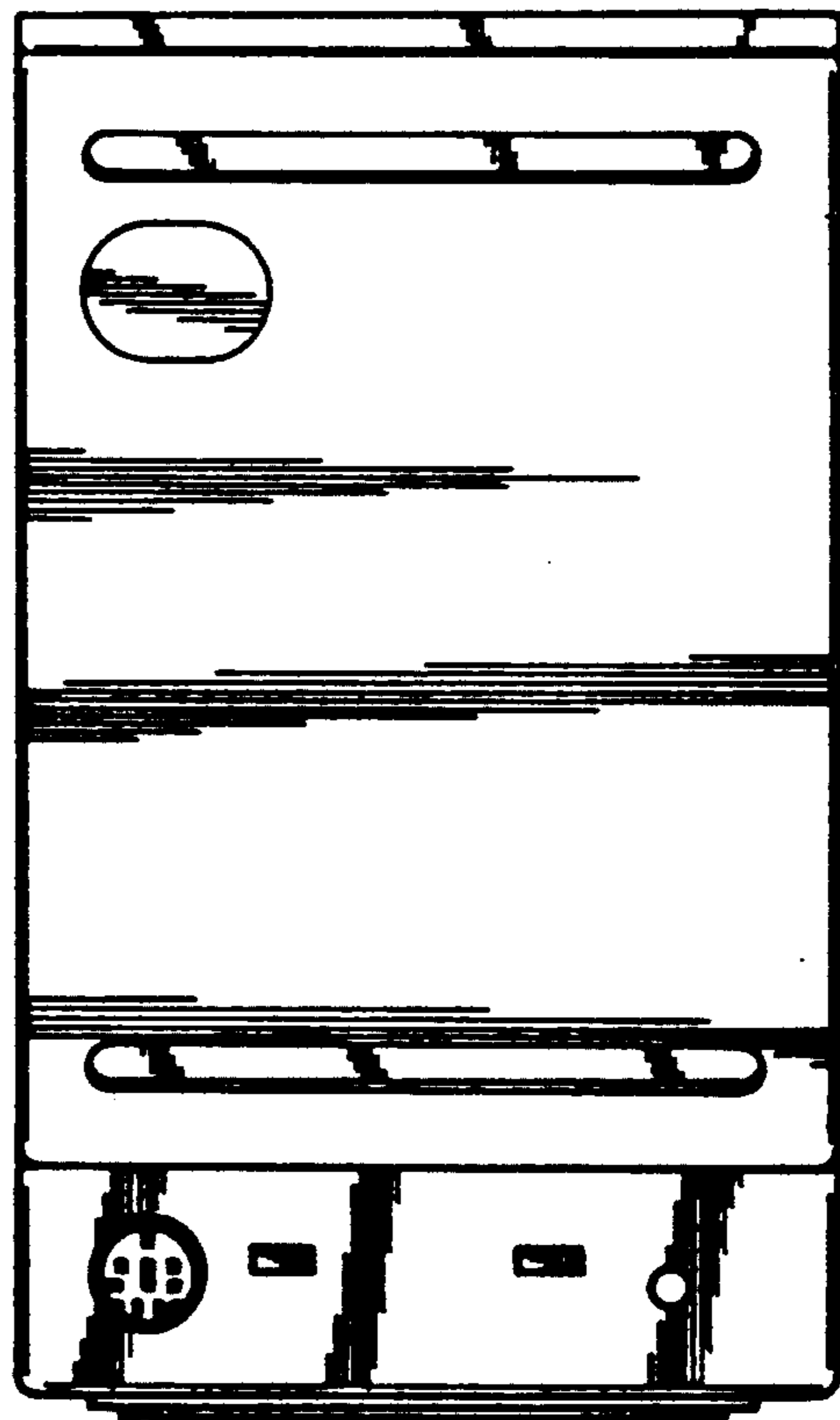


FIG. 5

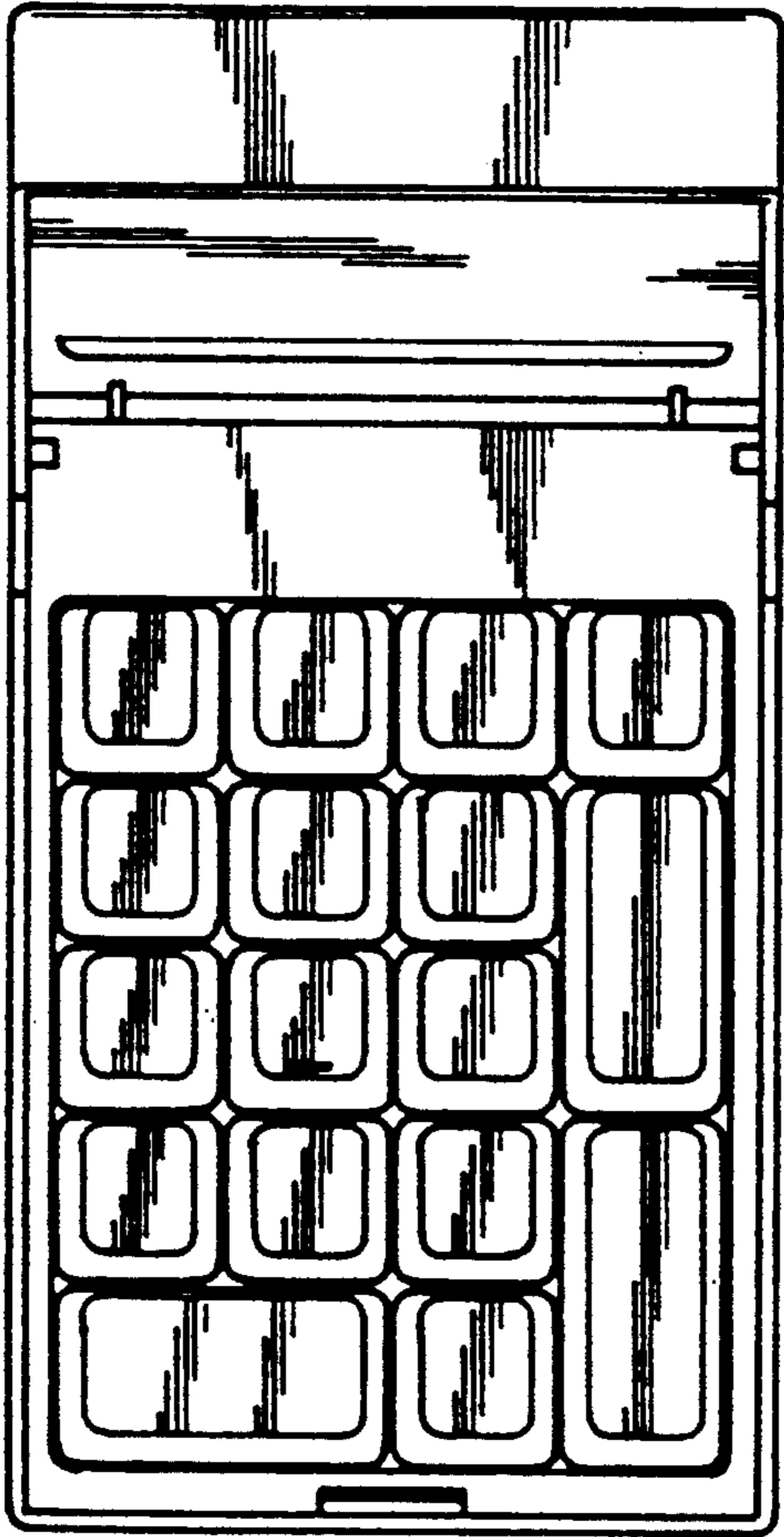


FIG. 6

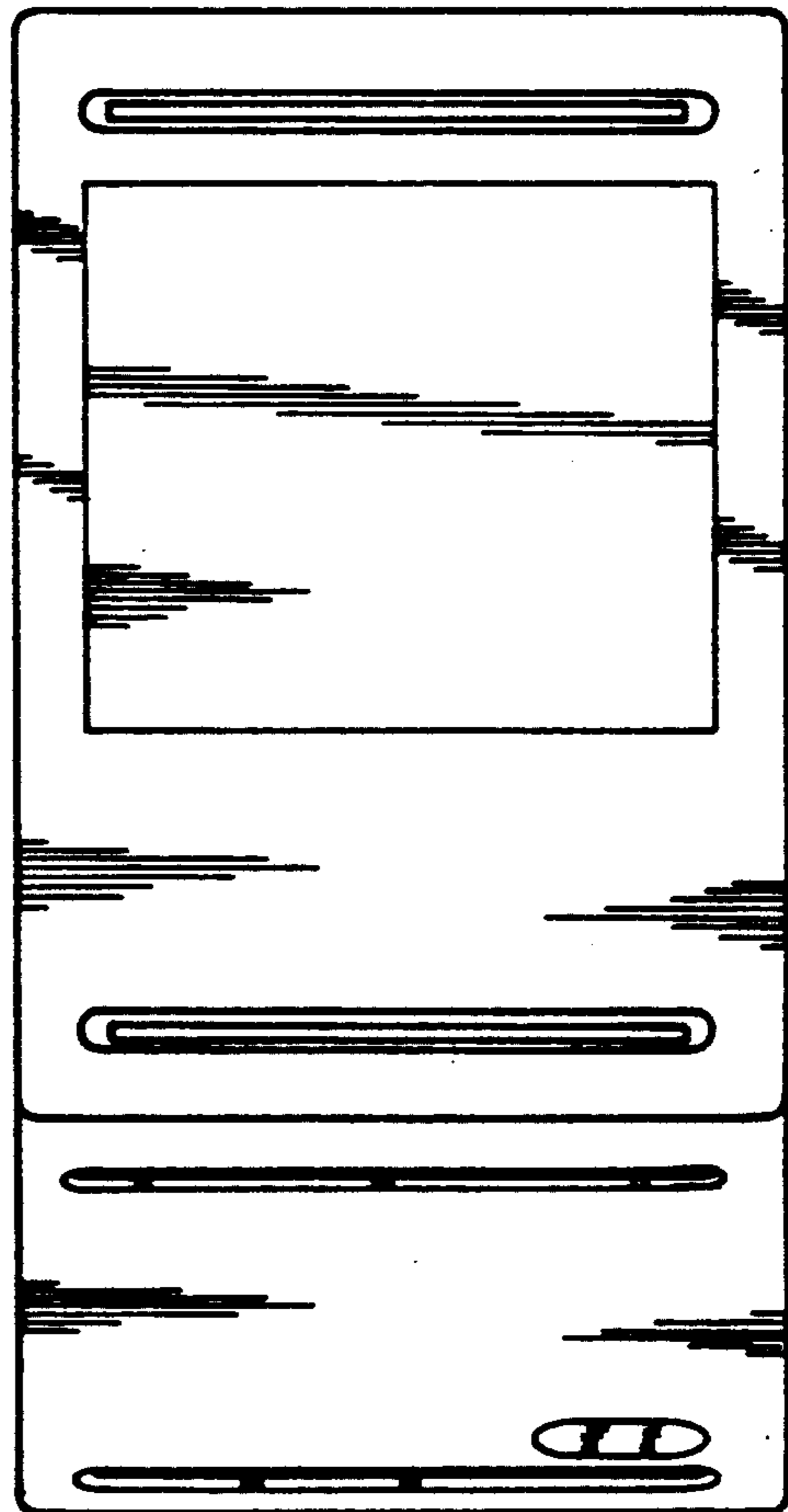


FIG. 7

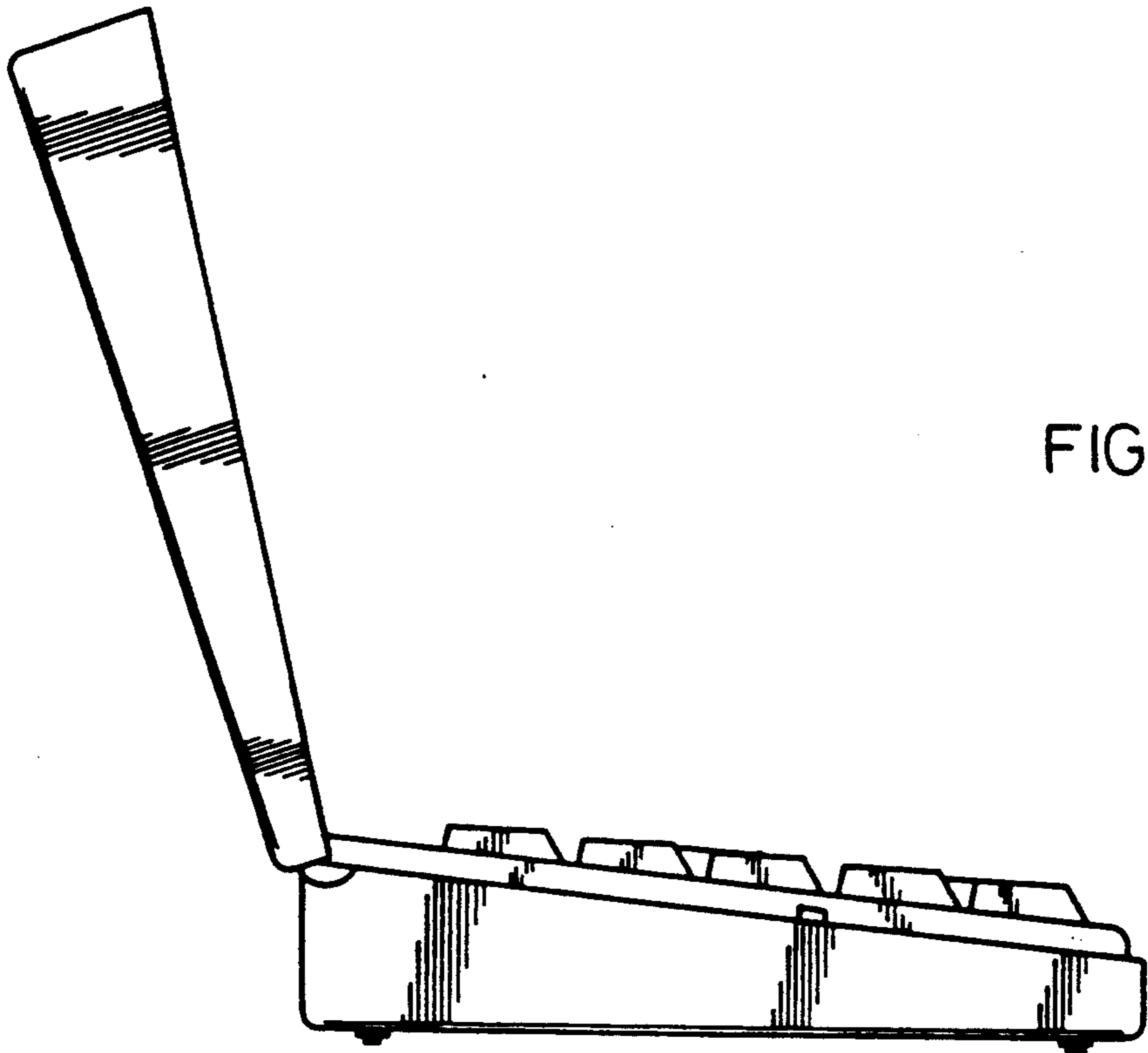


FIG. 8

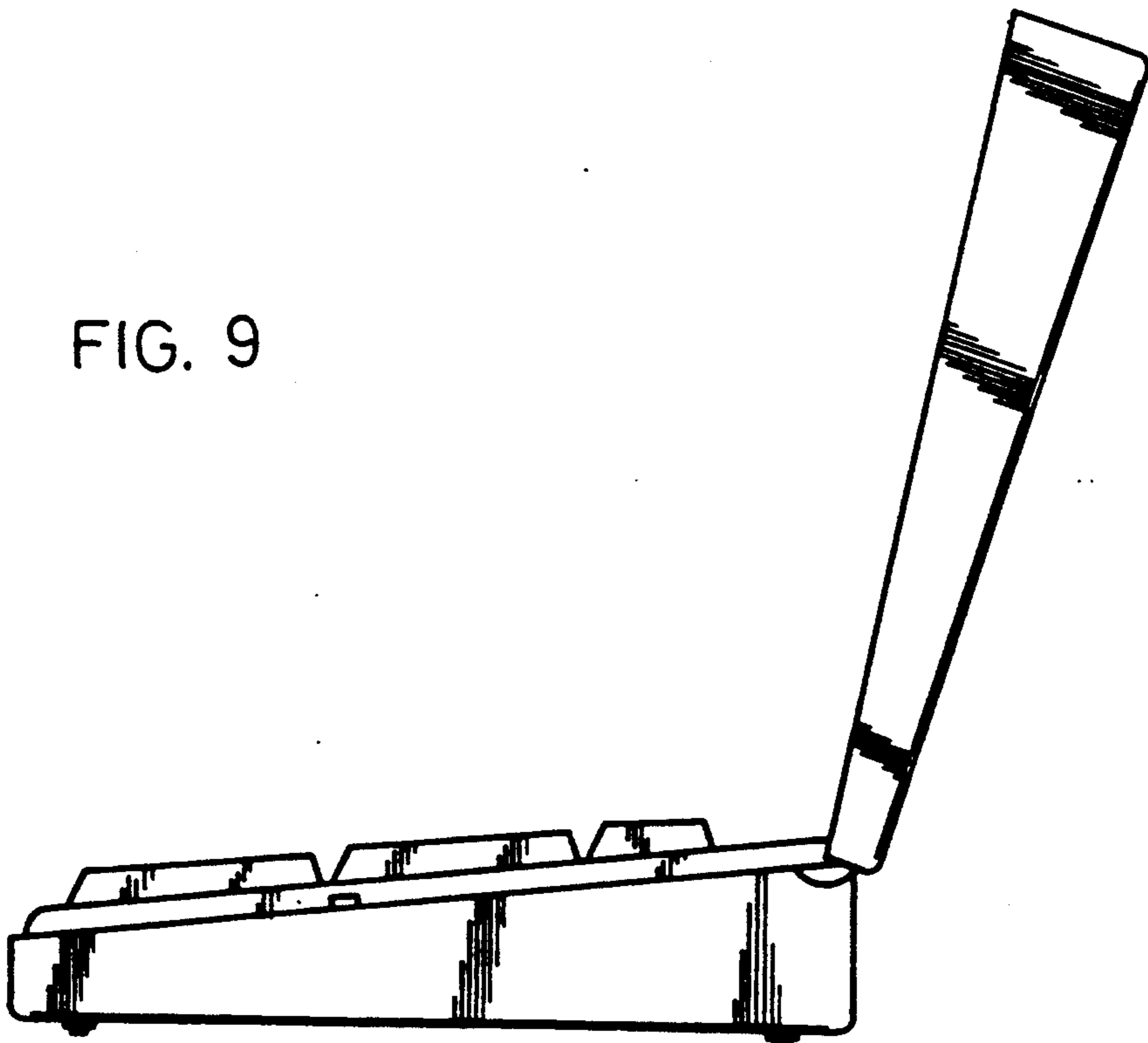


FIG. 9