



US00D341359S

United States Patent [19]

[11] Patent Number: **Des. 341,359**

Falkenberg et al.

[45] Date of Patent: **** Nov. 16, 1993**

- [54] **BACK PANEL FOR A COMPUTER**
- [75] Inventors: **Elke D. R. Falkenberg**, West Palm Beach; **Vincent S. Garmon**, Boynton Beach, both of Fla.
- [73] Assignee: **International Business Machines Corp.**, Armonk, N.Y.
- [**] Term: **14 Years**
- [21] Appl. No.: **712,806**
- [22] Filed: **Jun. 10, 1991**
- [52] U.S. Cl. **D14/115**
- [58] Field of Search **D14/100, 102, 109, 114, D14/115; D13/184, 199; 361/390, 395; 358/249, 254**

- D. 315,339 3/1991 Yang D14/115
- D. 330,546 10/1992 Herrick D14/115

Primary Examiner—Wallace R. Burke
Assistant Examiner—Freda S. Nunn
Attorney, Agent, or Firm—Romualdas Strimaitis

[57] CLAIM

The ornamental design for a back panel for a computer, as shown and described.

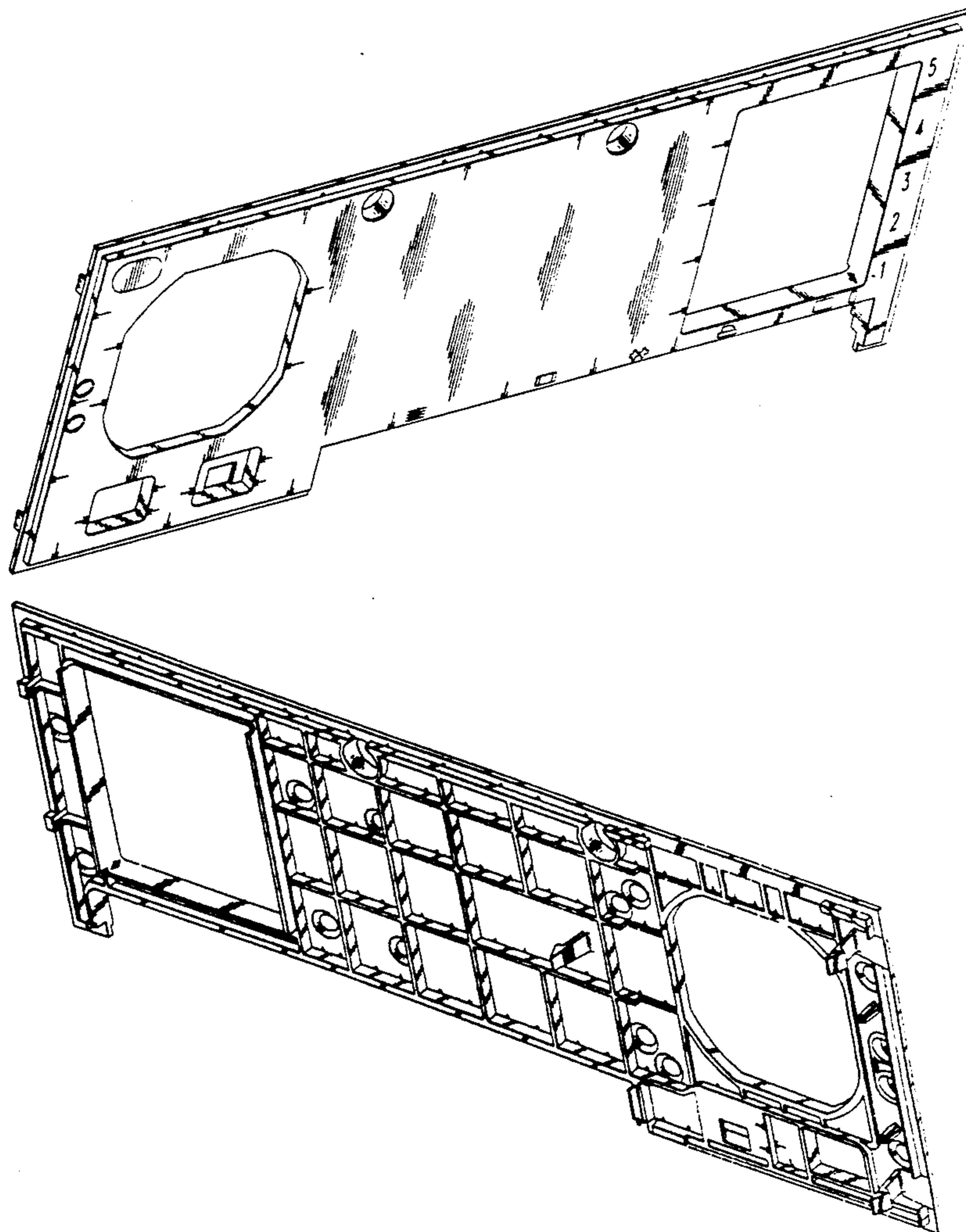
DESCRIPTION

FIG. 1 is a top front left perspective view of a back panel for a computer;
 FIG. 2 is a top rear left perspective view of a back panel for a computer;
 FIG. 3 is a frontal view of a back panel for a computer;
 FIG. 4 is a rear view of a back panel for a computer;
 FIG. 5 is an enlarged left side view of a back panel for a computer;
 FIG. 6 is an enlarged right side view of a back panel for a computer;
 FIG. 7 is a top view of a back panel for a computer; and,
 FIG. 8 is a bottom view of a back panel for a computer.

[56] References Cited

U.S. PATENT DOCUMENTS

- D. 257,510 11/1980 Fow et al. D14/115
- D. 313,982 1/1991 Eilert et al. D14/115
- D. 314,192 1/1991 Lawlor D14/114
- D. 314,568 2/1991 Martin D14/115



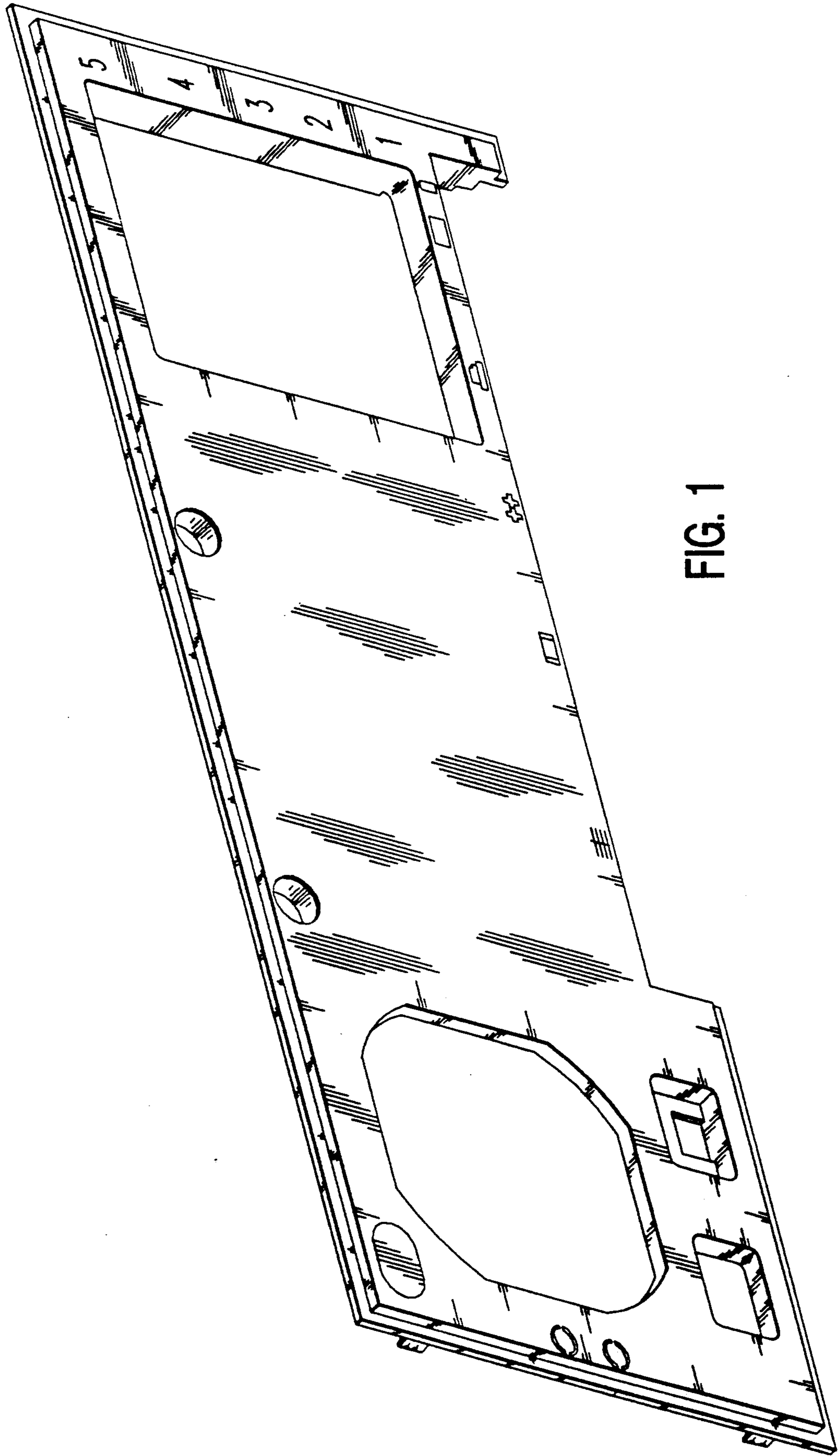


FIG. 1

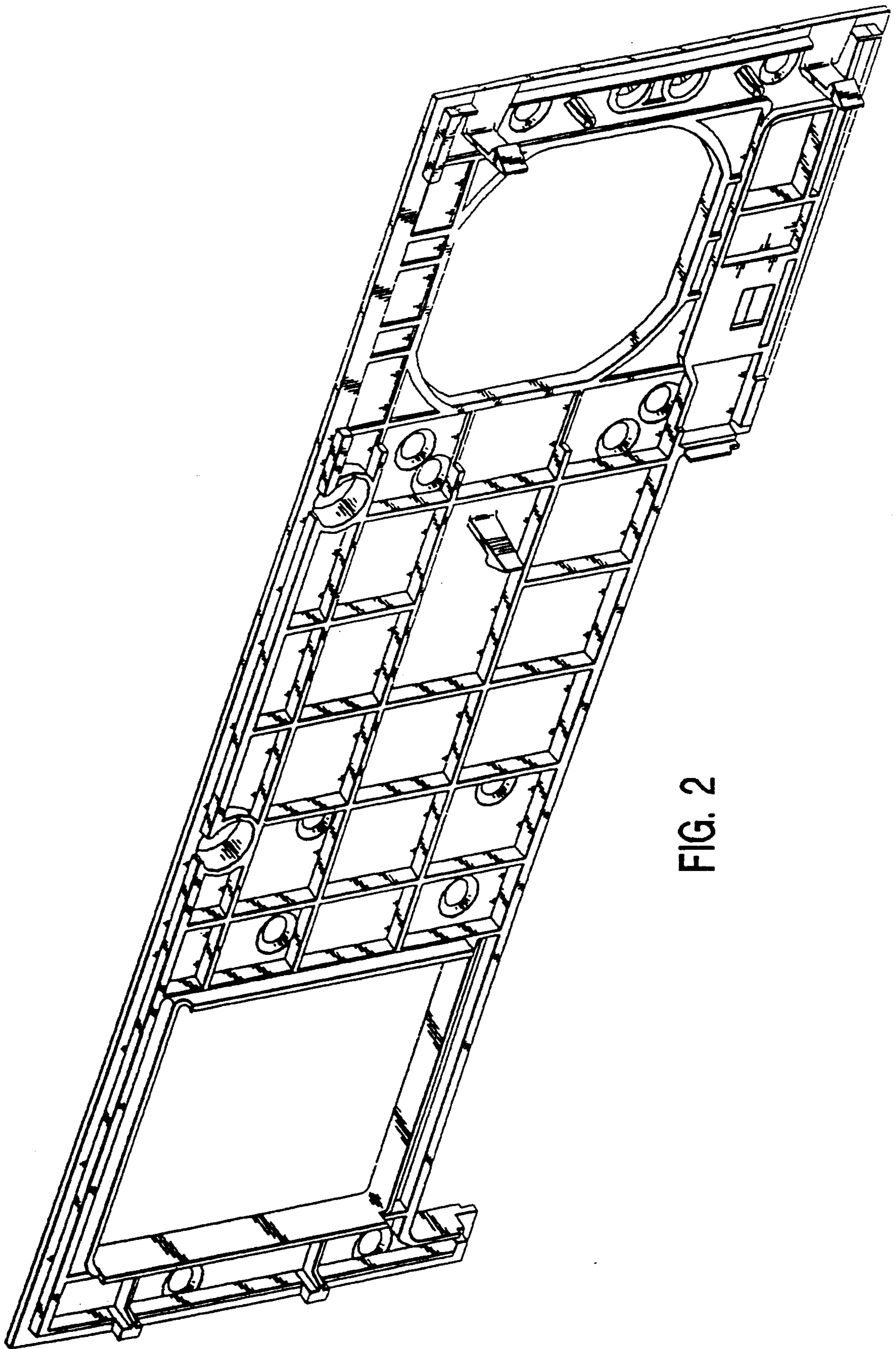


FIG. 2

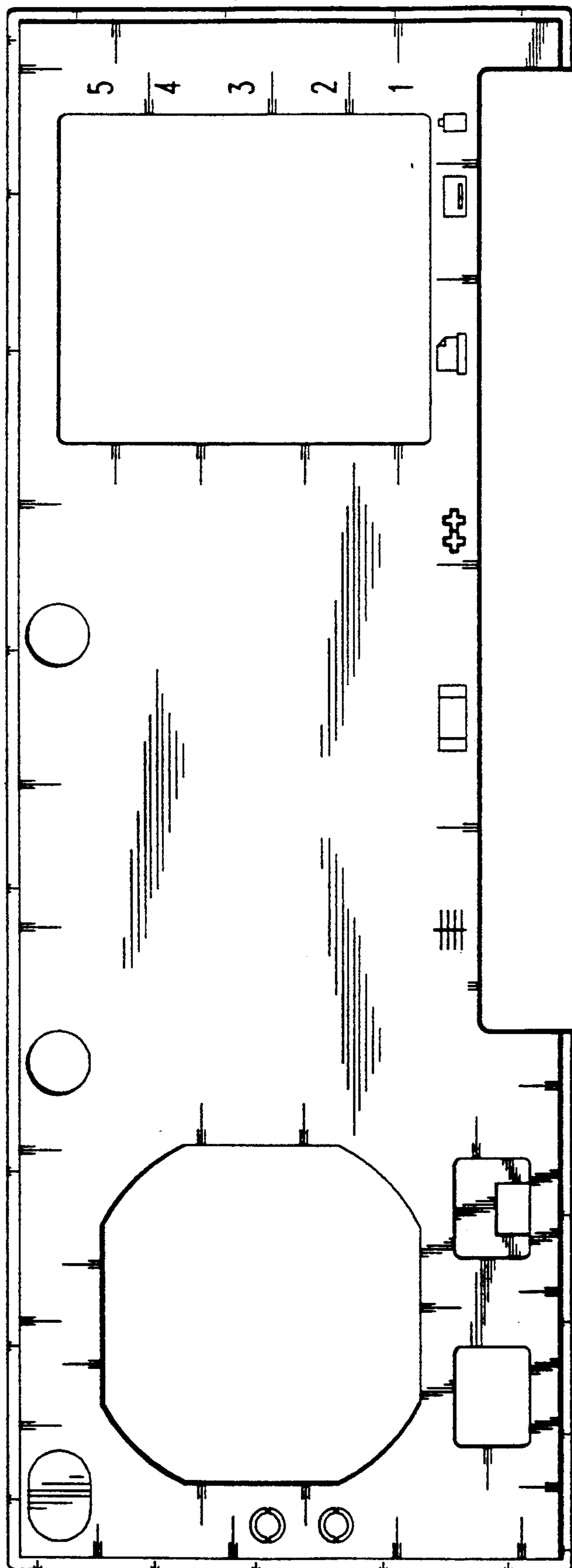


FIG. 3

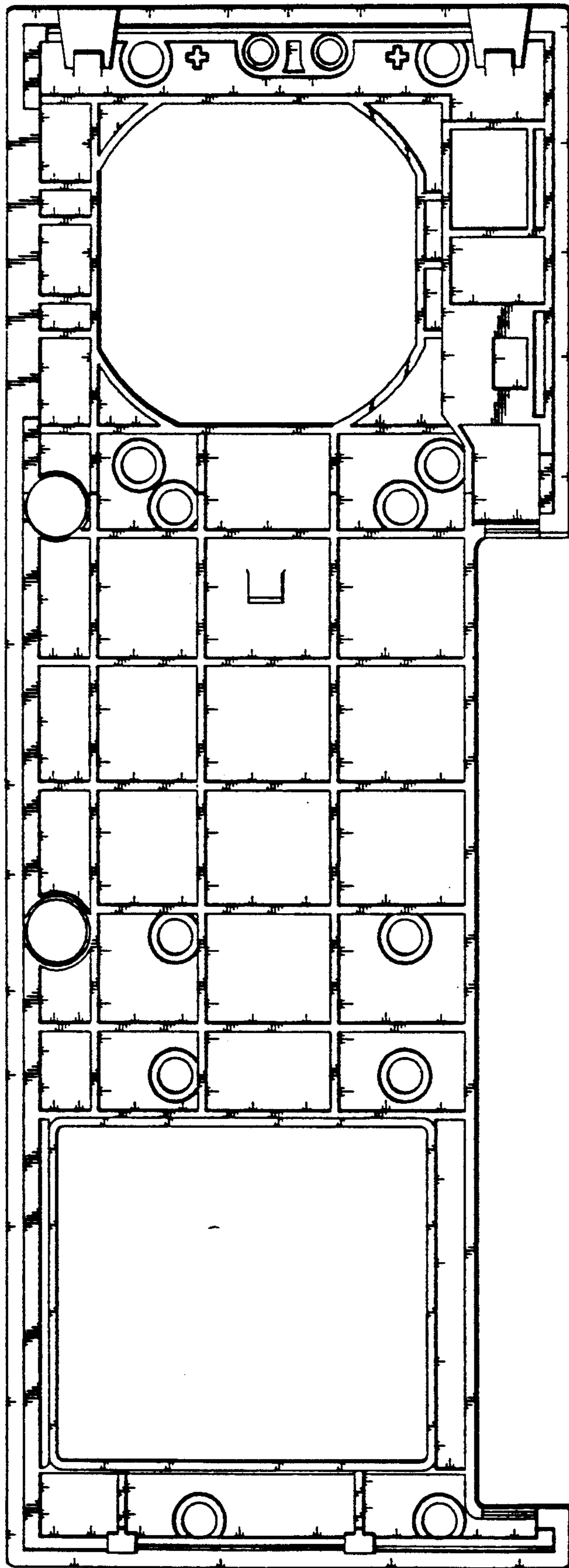


FIG. 4

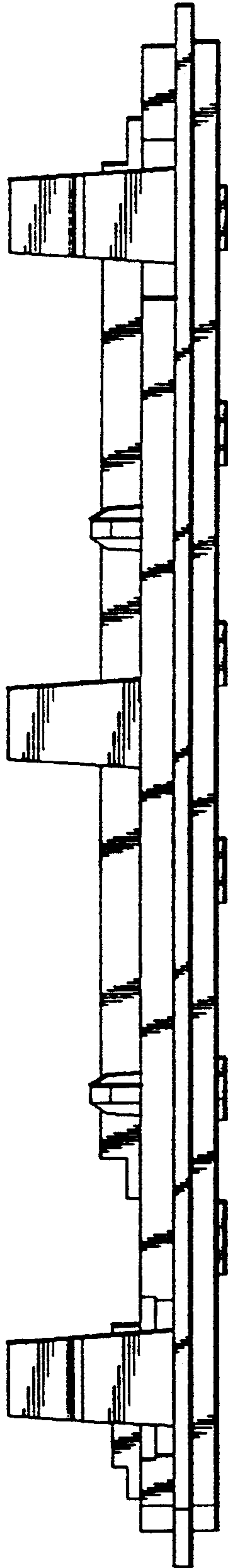


FIG. 5

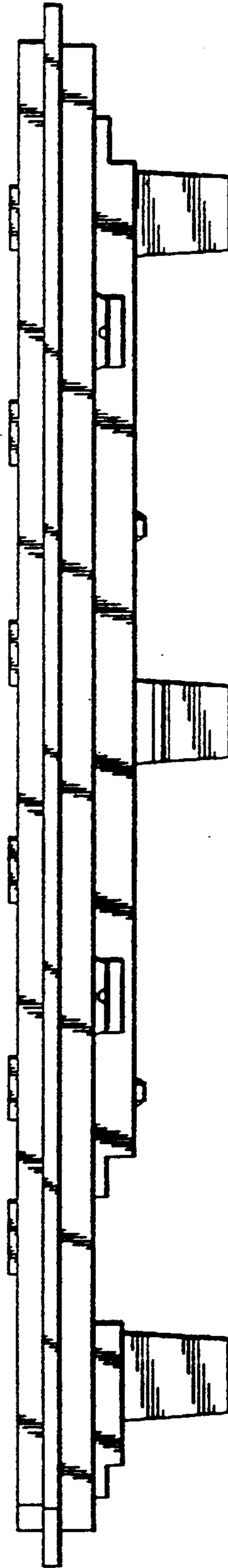


FIG. 6

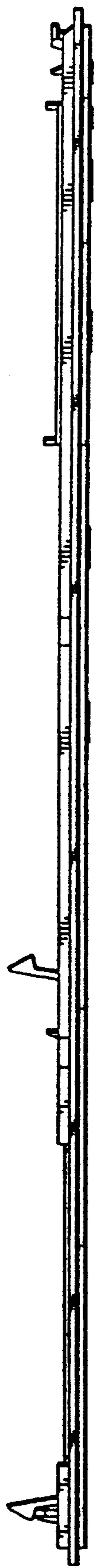


FIG. 7



FIG. 8