



US00D341358S

# United States Patent [19]

[11] Patent Number: Des. 341,358

Stolz et al.

[45] Date of Patent: \*\* Nov. 16, 1993

## [54] SECURE MONITOR HOUSING

[75] Inventors: Howard Stolz, Soquel; William K. Szaroletta, Cupertino, both of Calif.

[73] Assignee: Sun Microsystems, Inc., Mountain View, Calif.

[\*\*] Term: 14 Years

[21] Appl. No.: 595,021

[22] Filed: Oct. 10, 1990

[52] U.S. Cl. .... D14/113

[58] Field of Search ..... D14/100, 101, 106, 113, D14/124-126; 340/700, 706; 358/249, 254; 248/917-924

## [56] References Cited

### U.S. PATENT DOCUMENTS

- D. 300,032 2/1989 Brown et al. .... D14/113
- D. 309,896 8/1990 Schaum ..... D14/113
- D. 311,180 10/1990 Schaum ..... D14/113

Primary Examiner—Wallace R. Burke  
Assistant Examiner—Freda S. Nunn  
Attorney, Agent, or Firm—Blakely, Sokoloff, Taylor & Zafman

## [57] CLAIM

The ornamental design for a secure monitor housing, as shown and described.

## DESCRIPTION

FIG. 1 is an enlarged top front and right side perspective view of a secure monitor housing showing our new design;

FIG. 2 is a right side elevational view thereof the opposite side being identical in appearance;

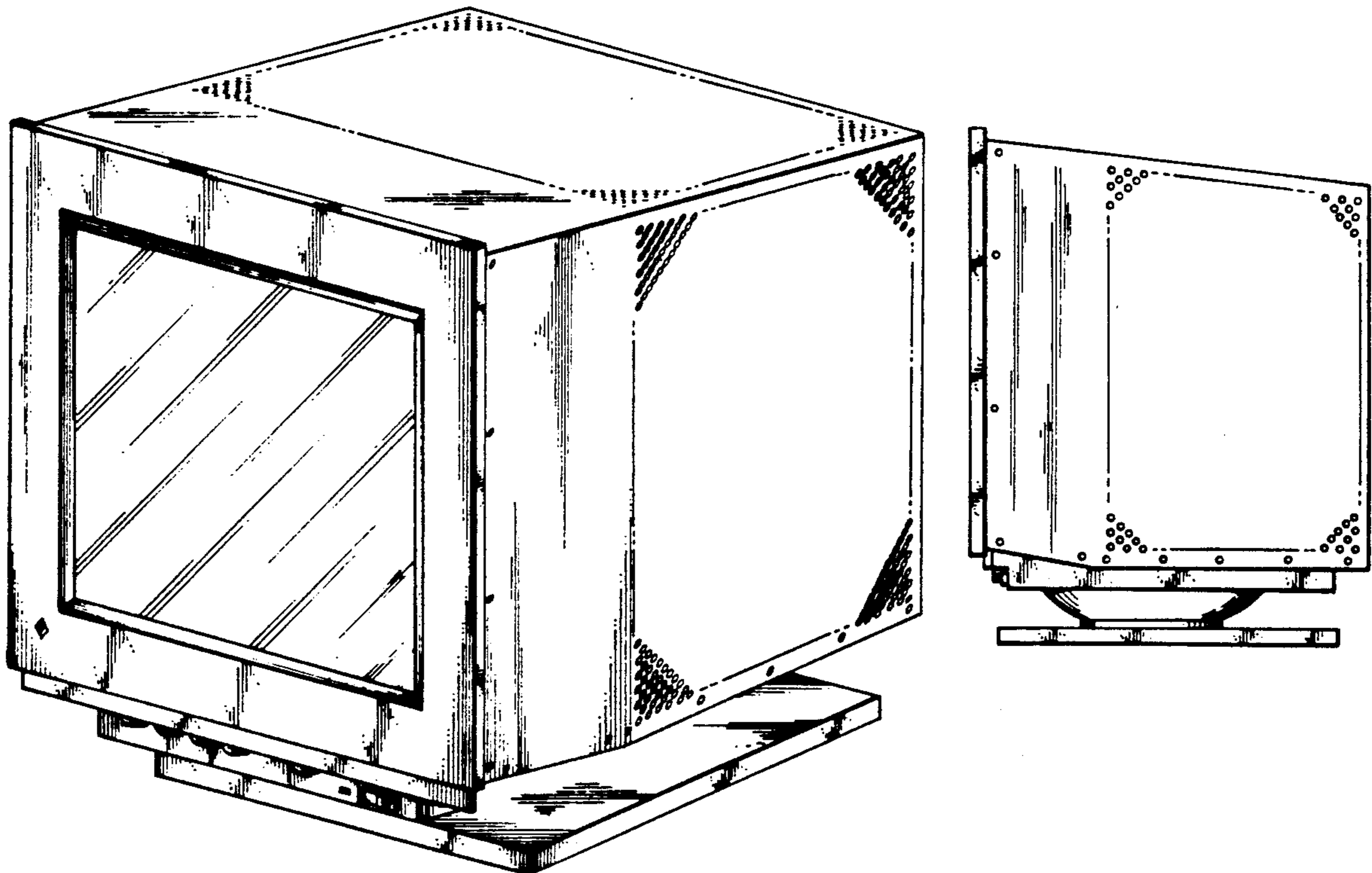
FIG. 3 is a front elevational view thereof;

FIG. 4 is a top plan view thereof;

FIG. 5 is a back elevational view thereof; and,

FIG. 6 is a bottom plan view thereof.

The circular pattern is partially shown in the figures for ease of illustration and it is understood to continue uniformly across each of the indicated surfaces.



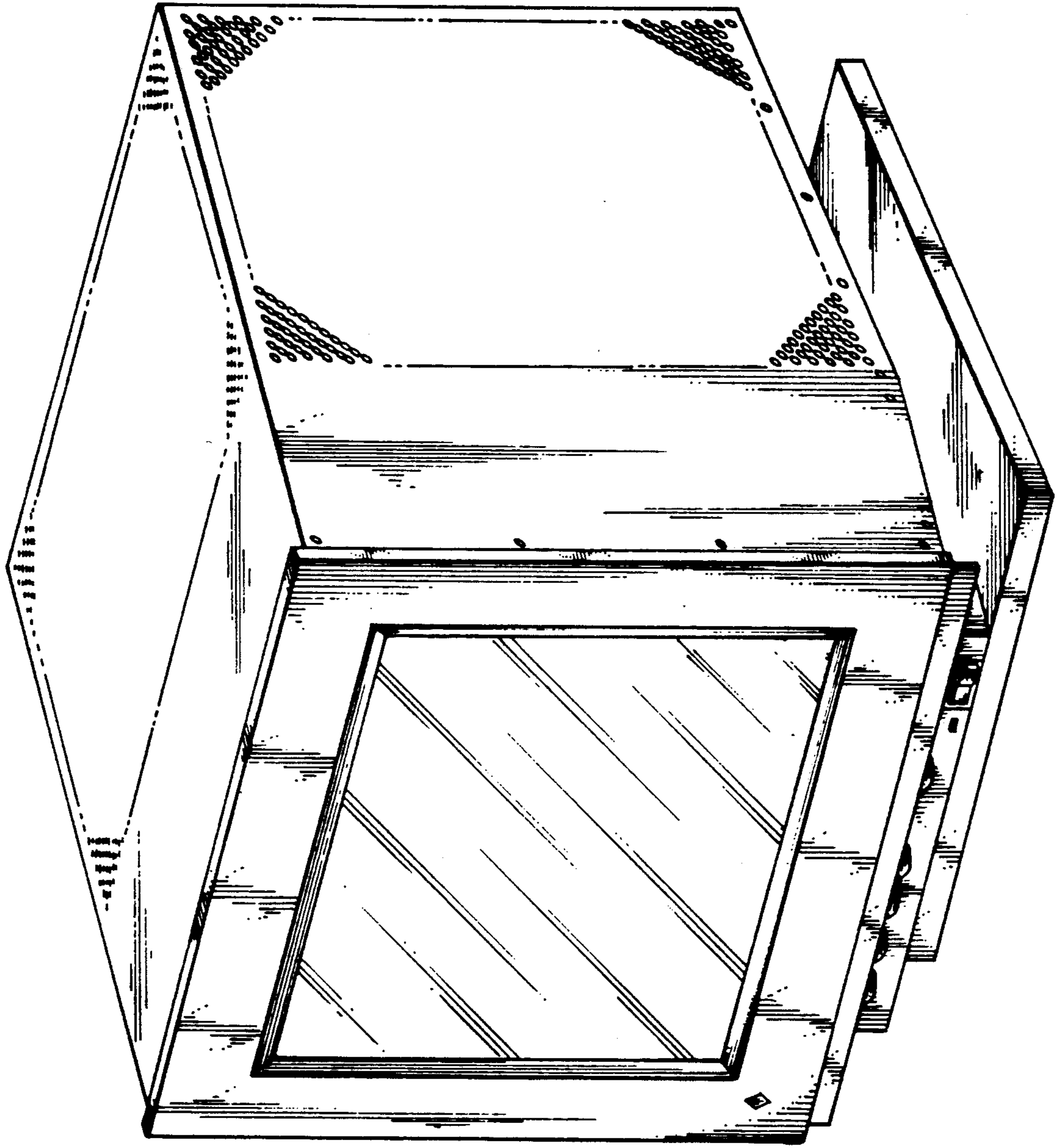


FIG. 1

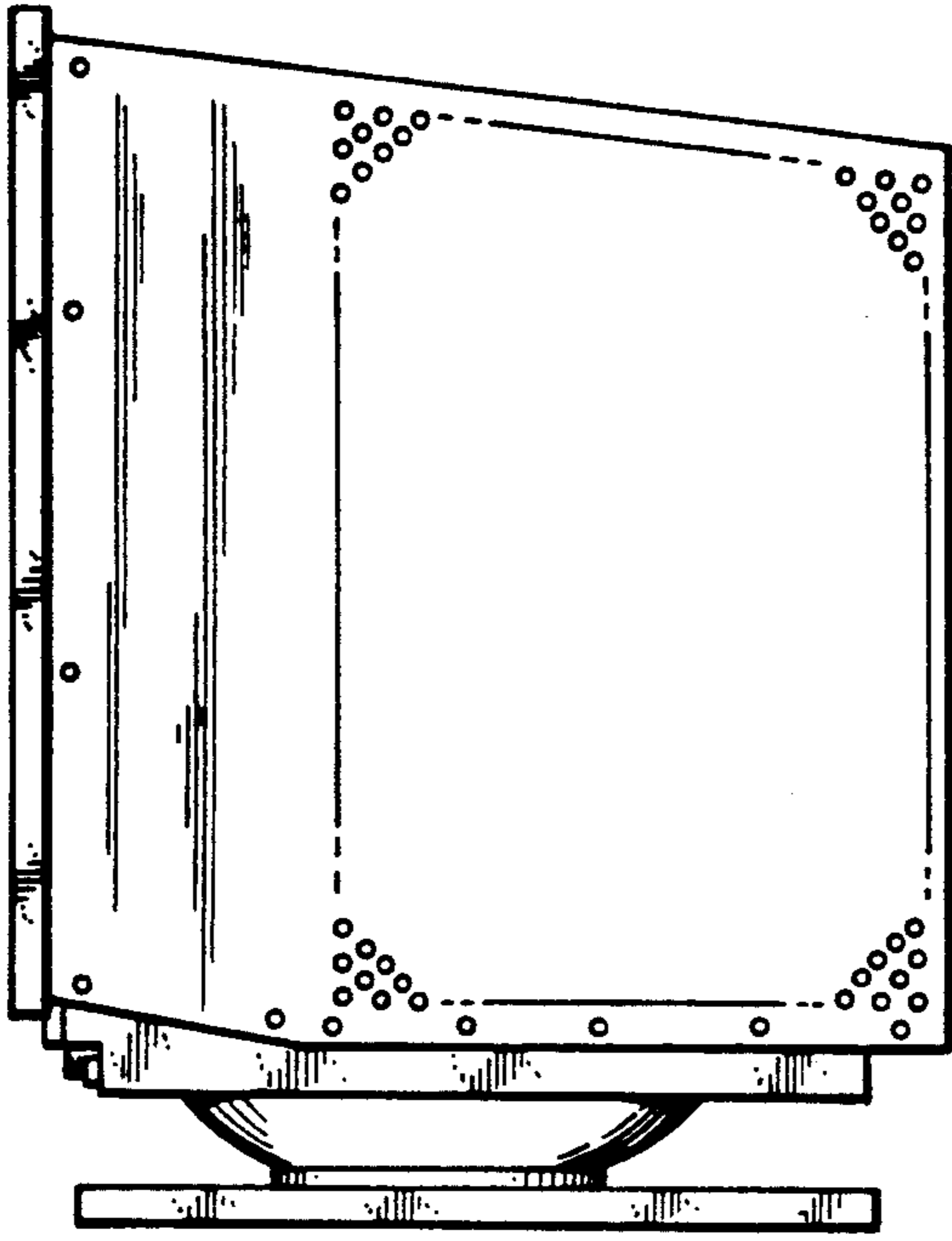


FIG. 2

FIG. 3

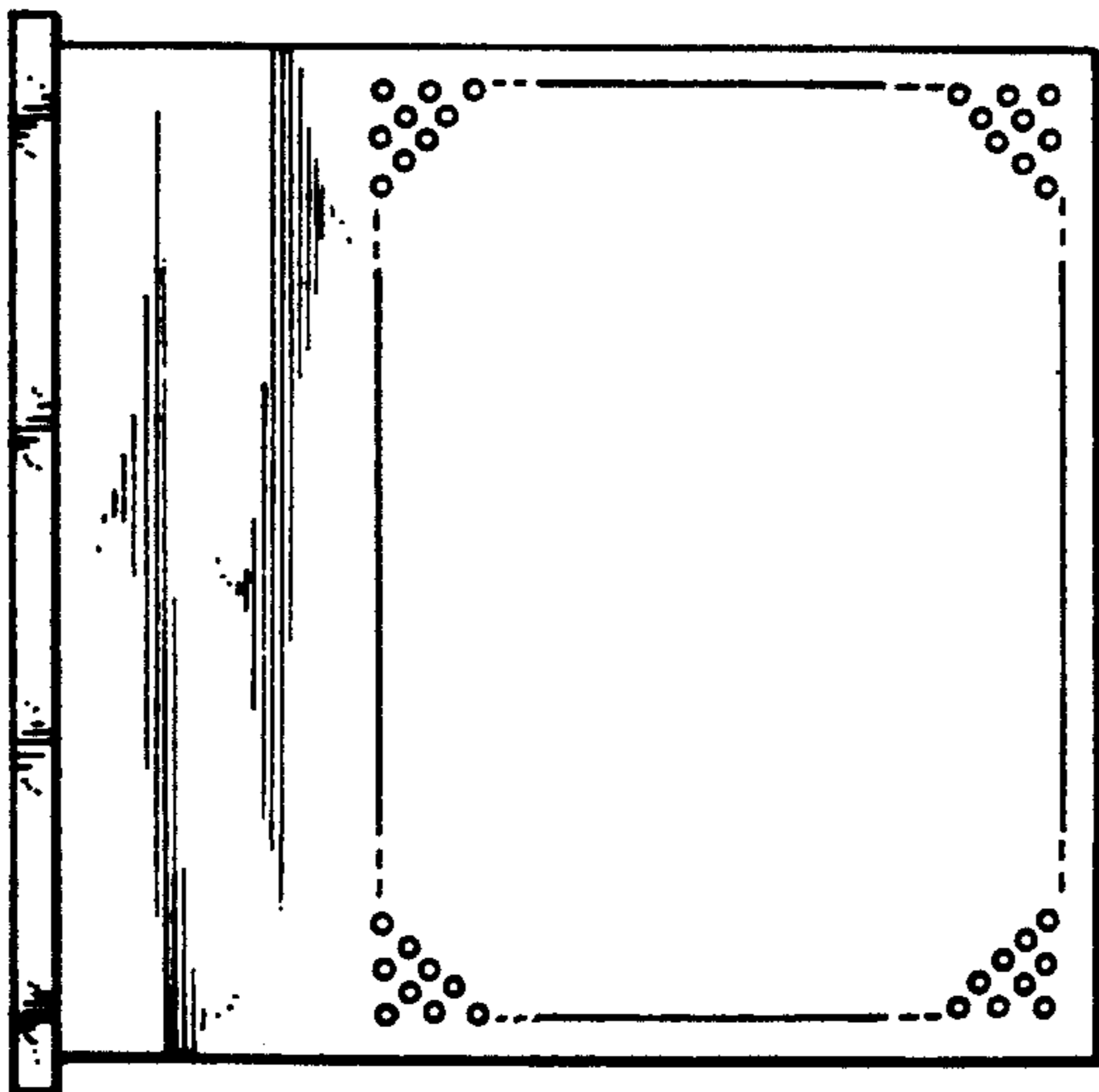
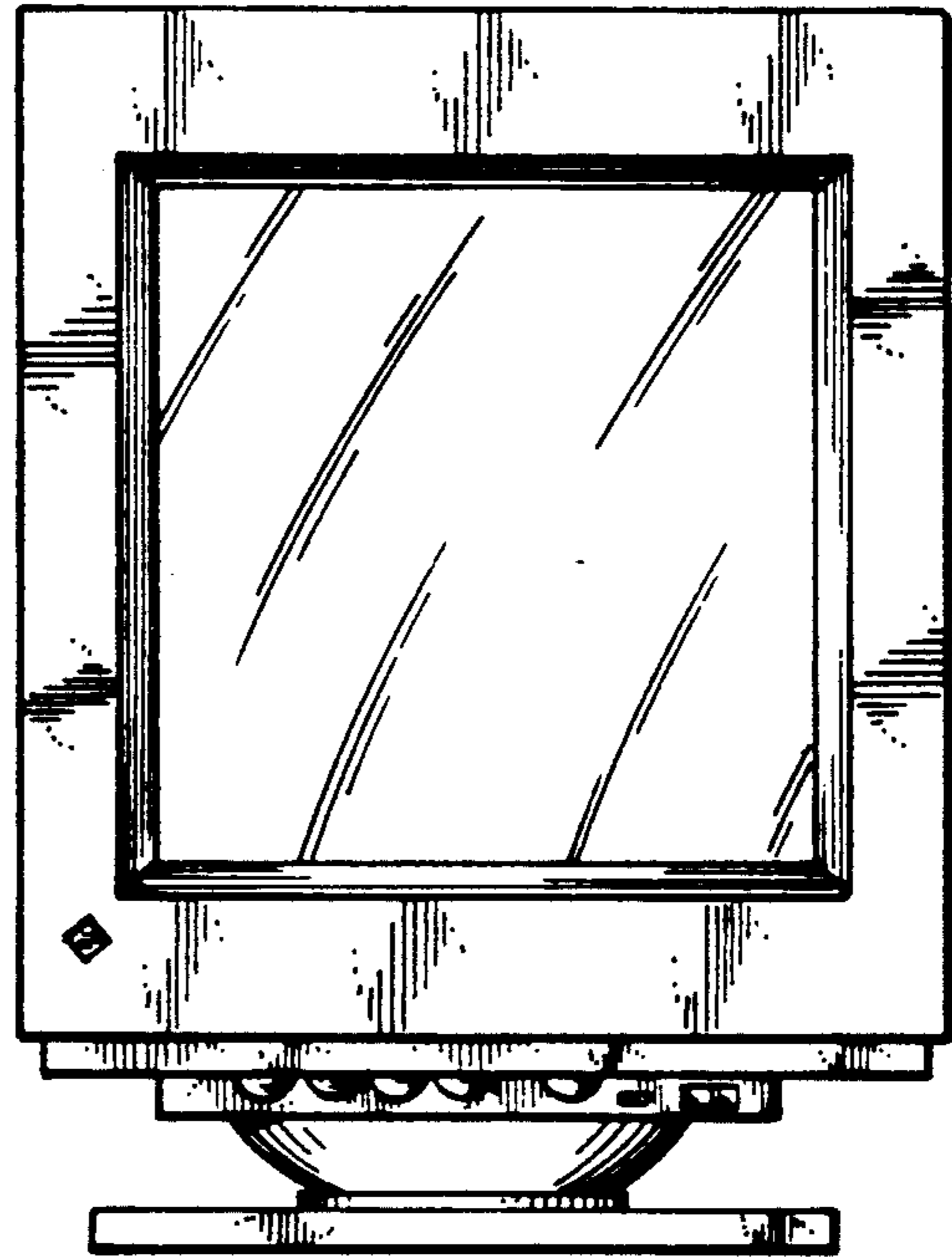


FIG. 4

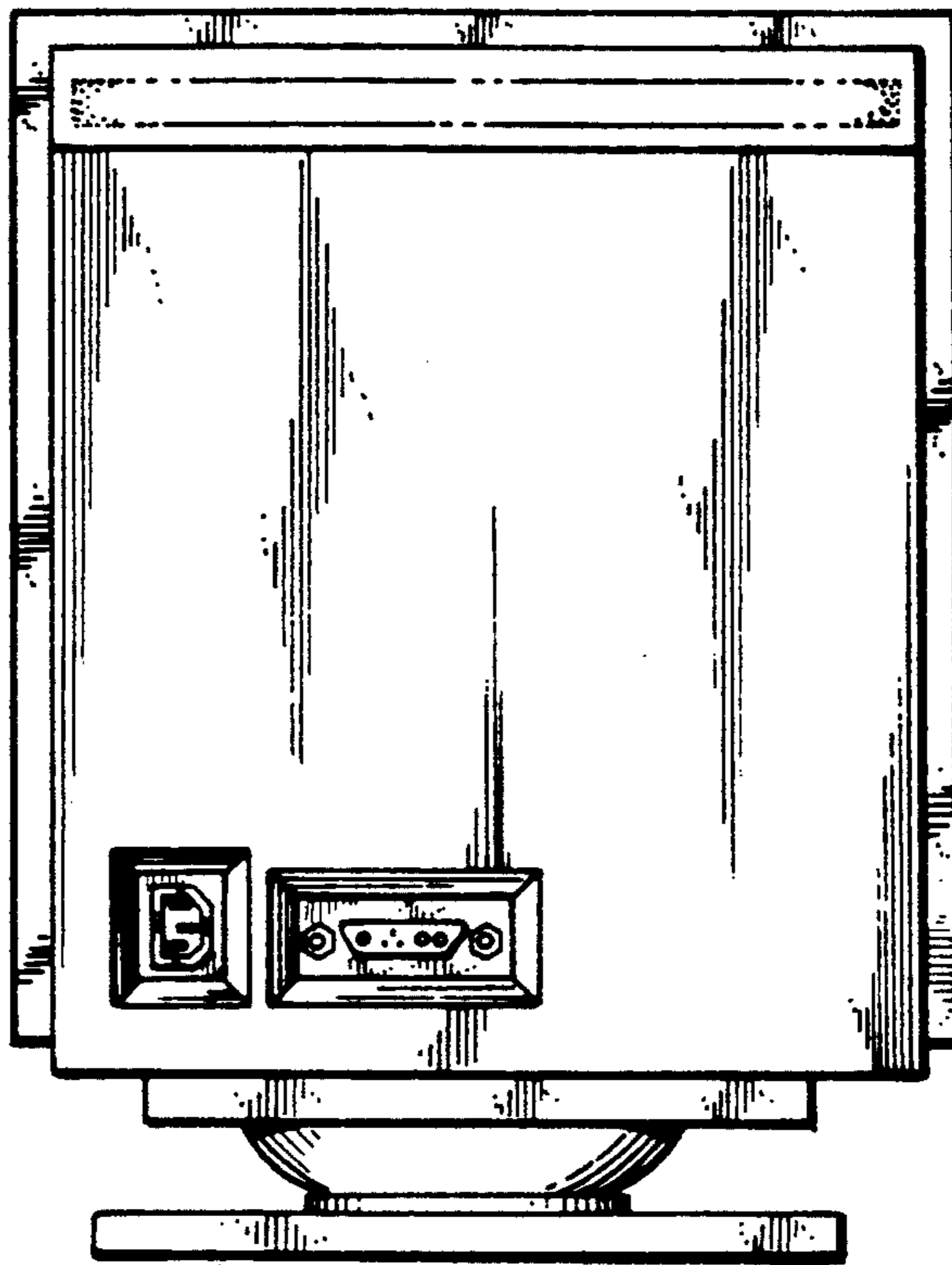


FIG. 5

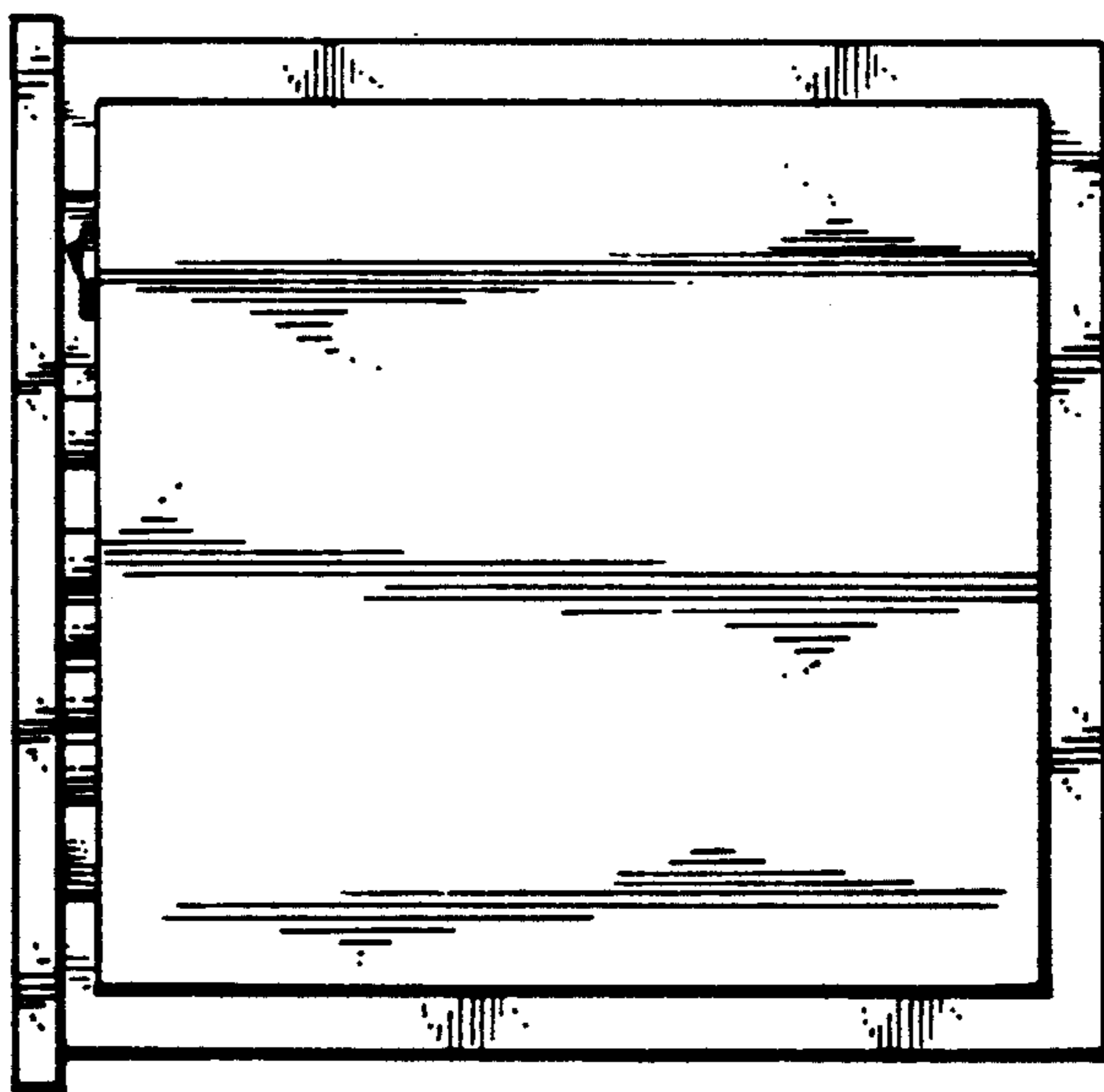


FIG. 6



**UNITED STATES PATENT AND TRADEMARK OFFICE**  
**CERTIFICATE OF CORRECTION**

**PATENT NO.** : Des. 341, 358  
**DATED** : November 16, 1993  
**INVENTOR(S)** : Stolz et al.

It is certified that error appears in the above-identified patent and that said Letters Patent is hereby corrected as shown below:

In the title page, item [75] Inventors, please delete " Howard Stolz " and insert -- Howard W. Stolz --.

Signed and Sealed this

Sixth Day of January, 1998



**BRUCE LEHMAN**

*Attest:*

*Attesting Officer*

*Commissioner of Patents and Trademarks*