



US00D341353S

United States Patent [19]

[11] Patent Number: **Des. 341,353**

O

[45] Date of Patent: **** Nov. 16, 1993**

[54] ELECTRICAL BOX MOUNT

[76] Inventor: **Sangkil O**, 993 S. Wilton Pl., Los Angeles, Calif. 90019

[**] Term: **14 Years**

[21] Appl. No.: **845,479**

[22] Filed: **Mar. 6, 1992**

[52] U.S. Cl. **D13/152**

[58] Field of Search **D13/152; 174/50, 52.1, 174/58, 63; 220/3.3, 3.9**

[56] References Cited

U.S. PATENT DOCUMENTS

1,393,794	10/1921	Kuhlman	220/3.9 X
1,808,326	6/1931	Thomas, Jr.	220/3.9 X
4,019,647	4/1977	Arnold	174/58 X
4,753,361	6/1988	Medlin, Jr.	220/309 X

FOREIGN PATENT DOCUMENTS

3734029	4/1989	Fed. Rep. of Germany	174/58
---------	--------	----------------------	-------	--------

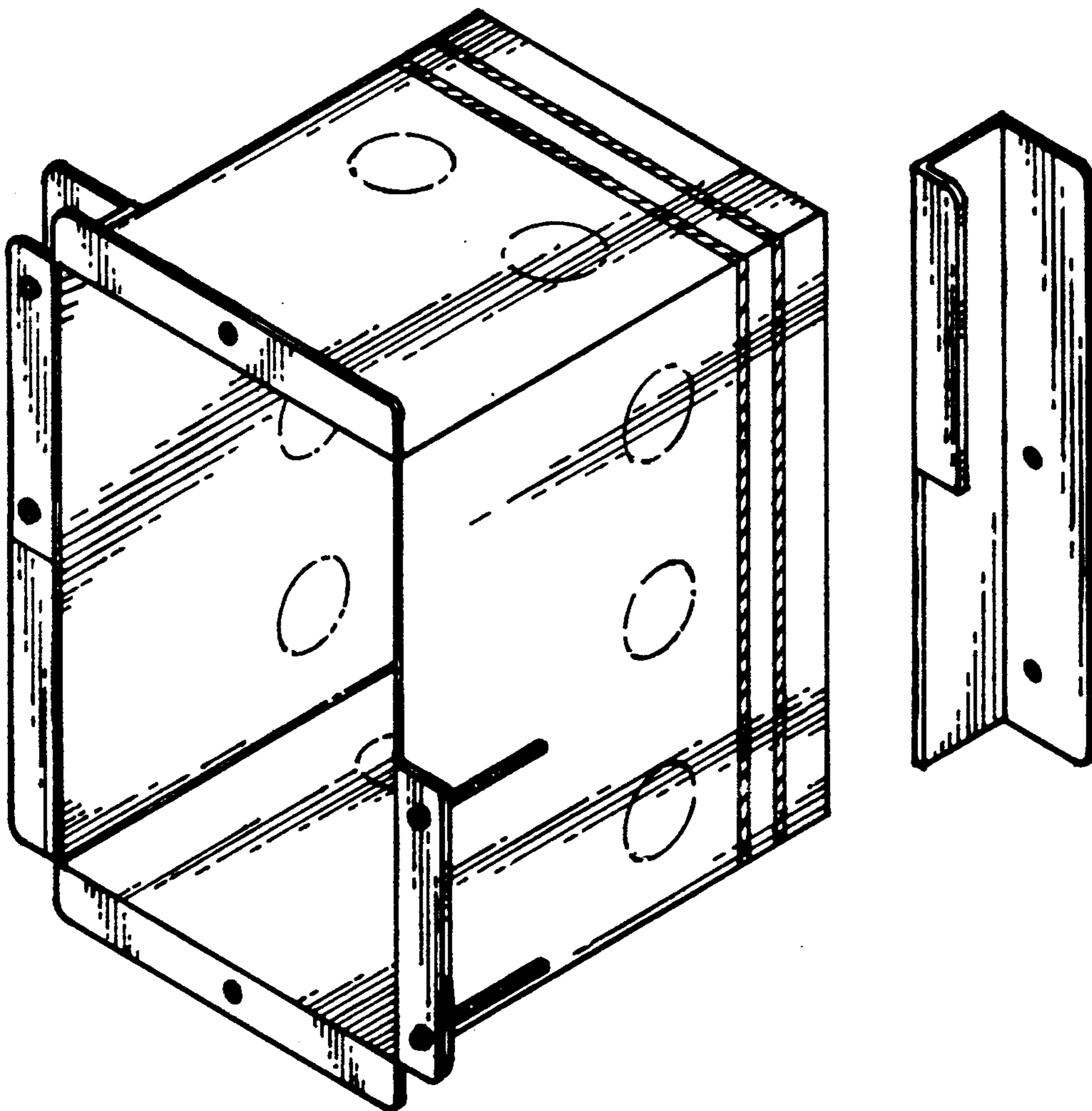
Primary Examiner—Wallace R. Burke
Assistant Examiner—Joel Sincavage
Attorney, Agent, or Firm—Terry M. Gernstein

[57] CLAIM

The ornamental design for an electrical box mount, as shown and described.

DESCRIPTION

FIG. 1 is a perspective view of the electrical box mount showing my new design with one of the mounting brackets separated from the box. The broken lines throughout the drawing figures represent typical knockouts which provide access for electrical cables and are intended as claimed subject matter; FIG. 2 is a front elevational view of the electrical box mount showing my new design in the assembled condition; FIG. 3 is a rear elevational view thereof; FIG. 4 is a side elevational view thereof; FIG. 5 is a side elevational view thereof; and, FIG. 6 is a top plan view thereof, the bottom view being a mirror image of the top view shown in FIG. 6.



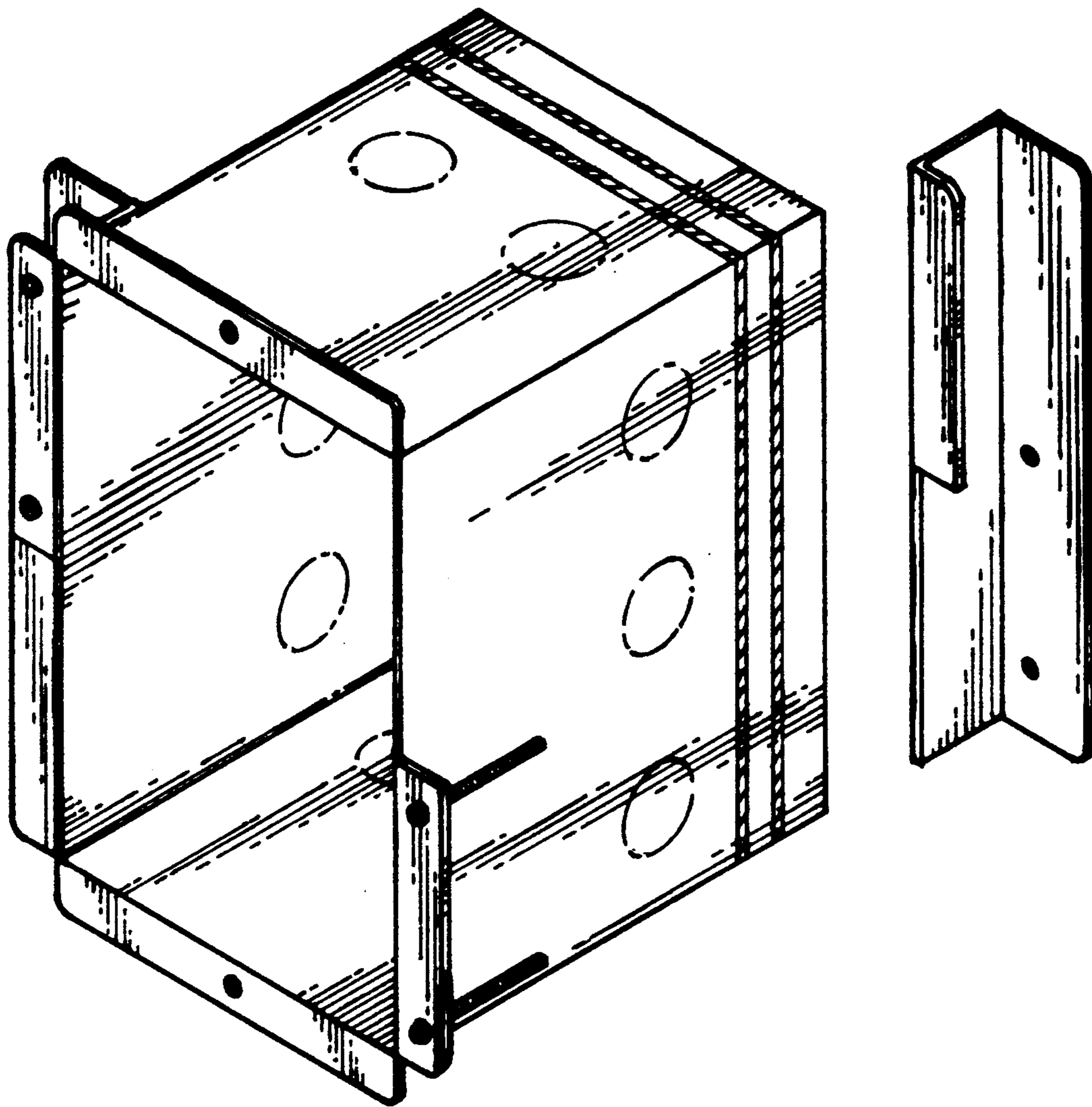


FIG.1

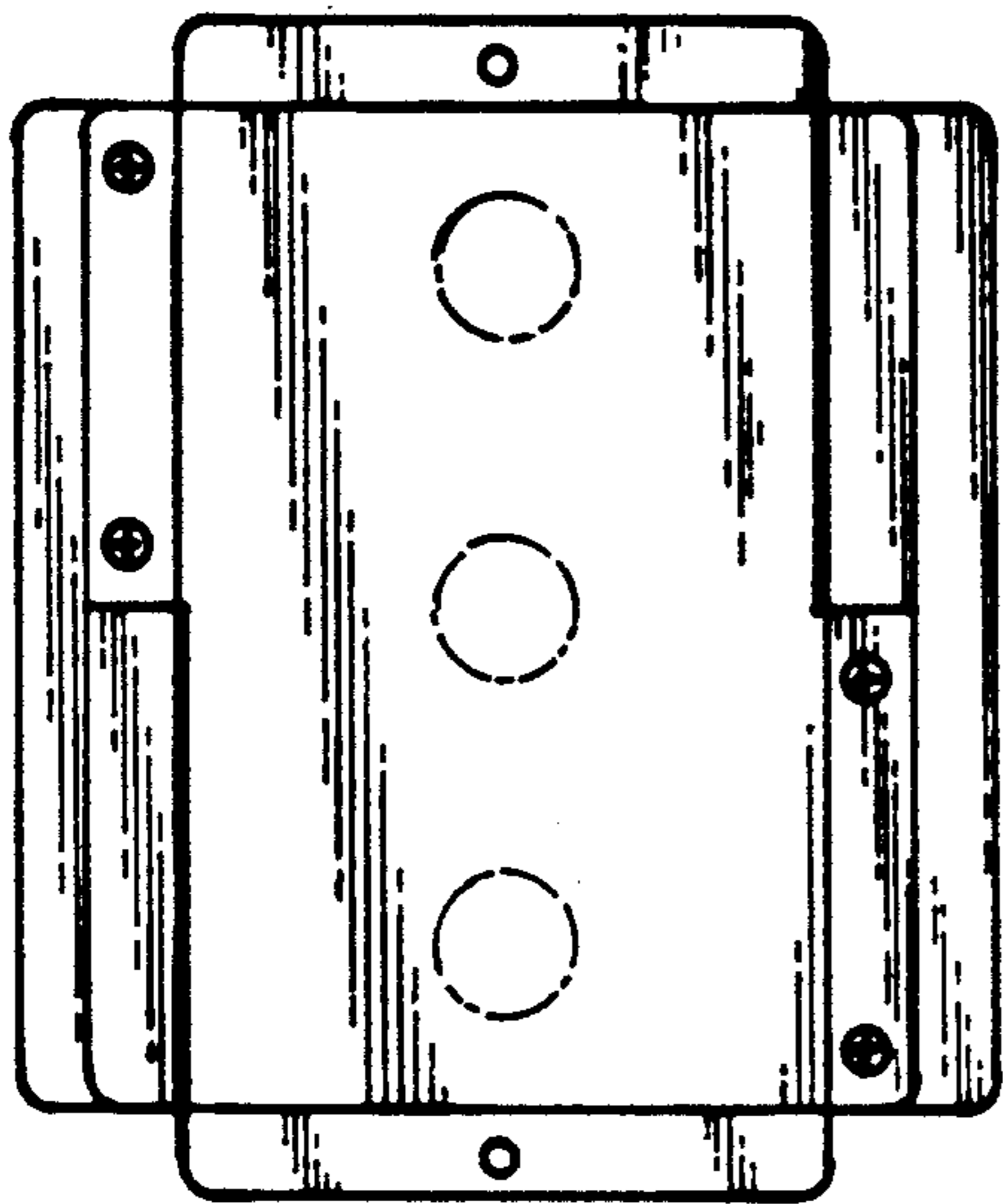


FIG. 2

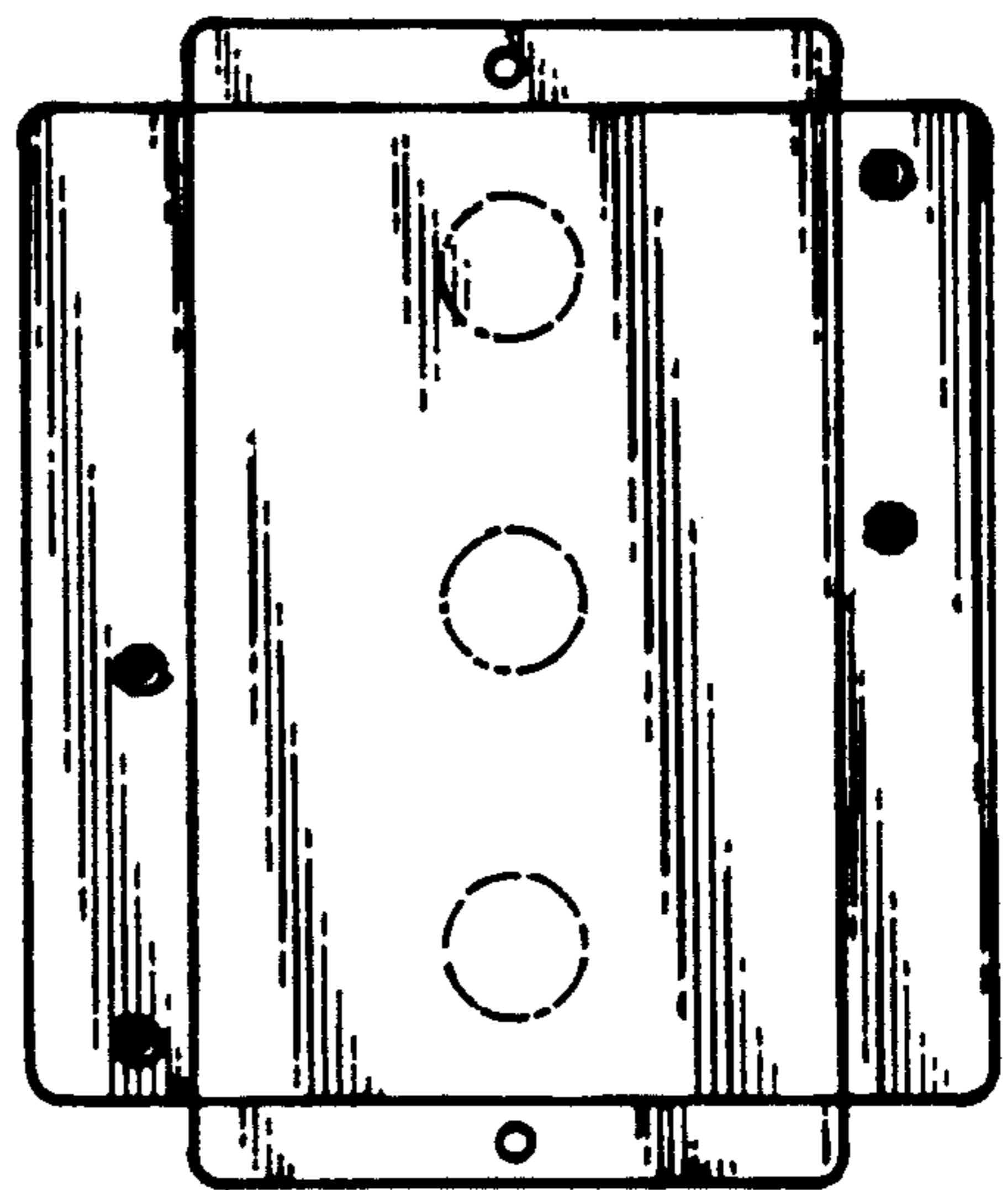


FIG. 3

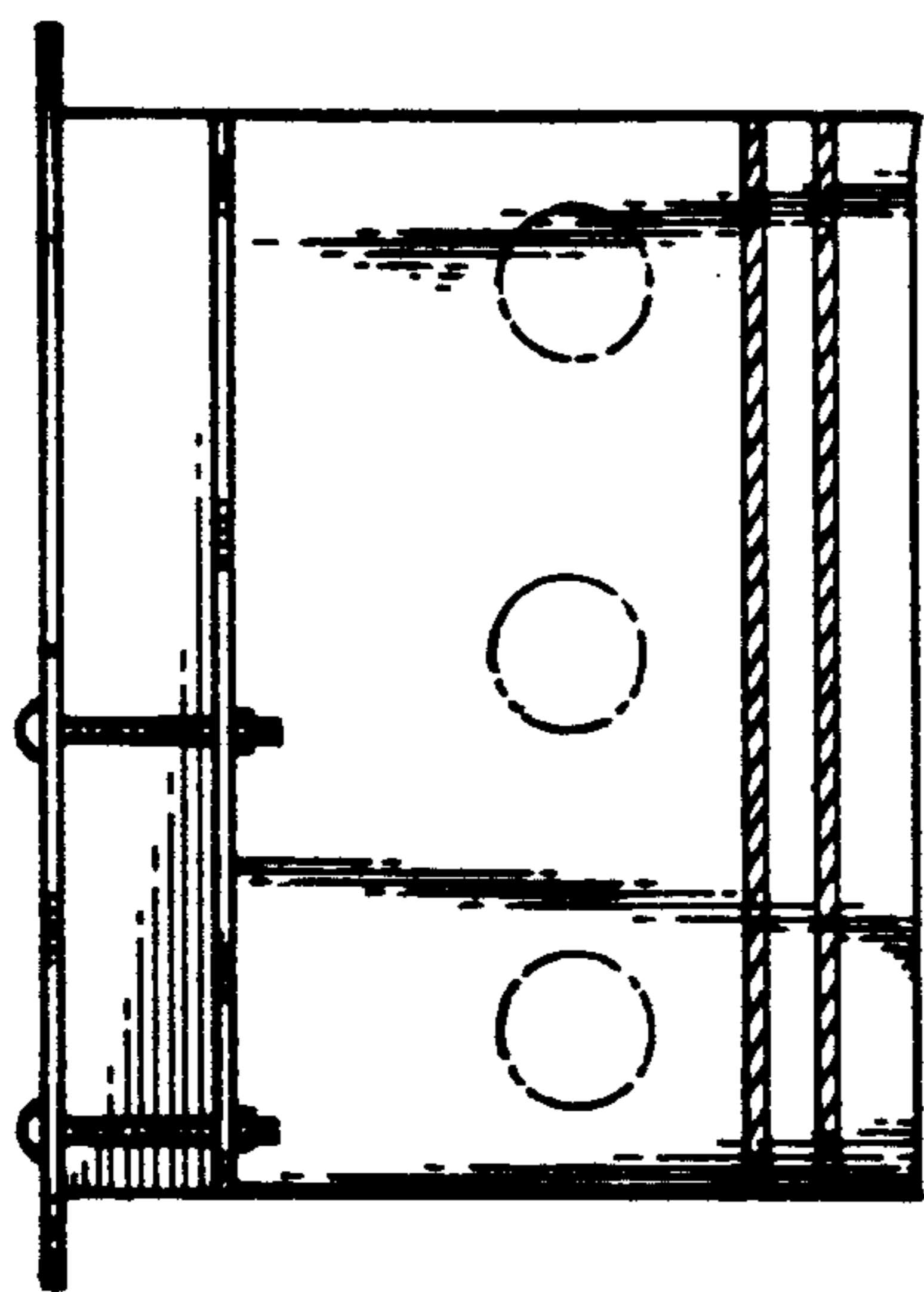


FIG. 4

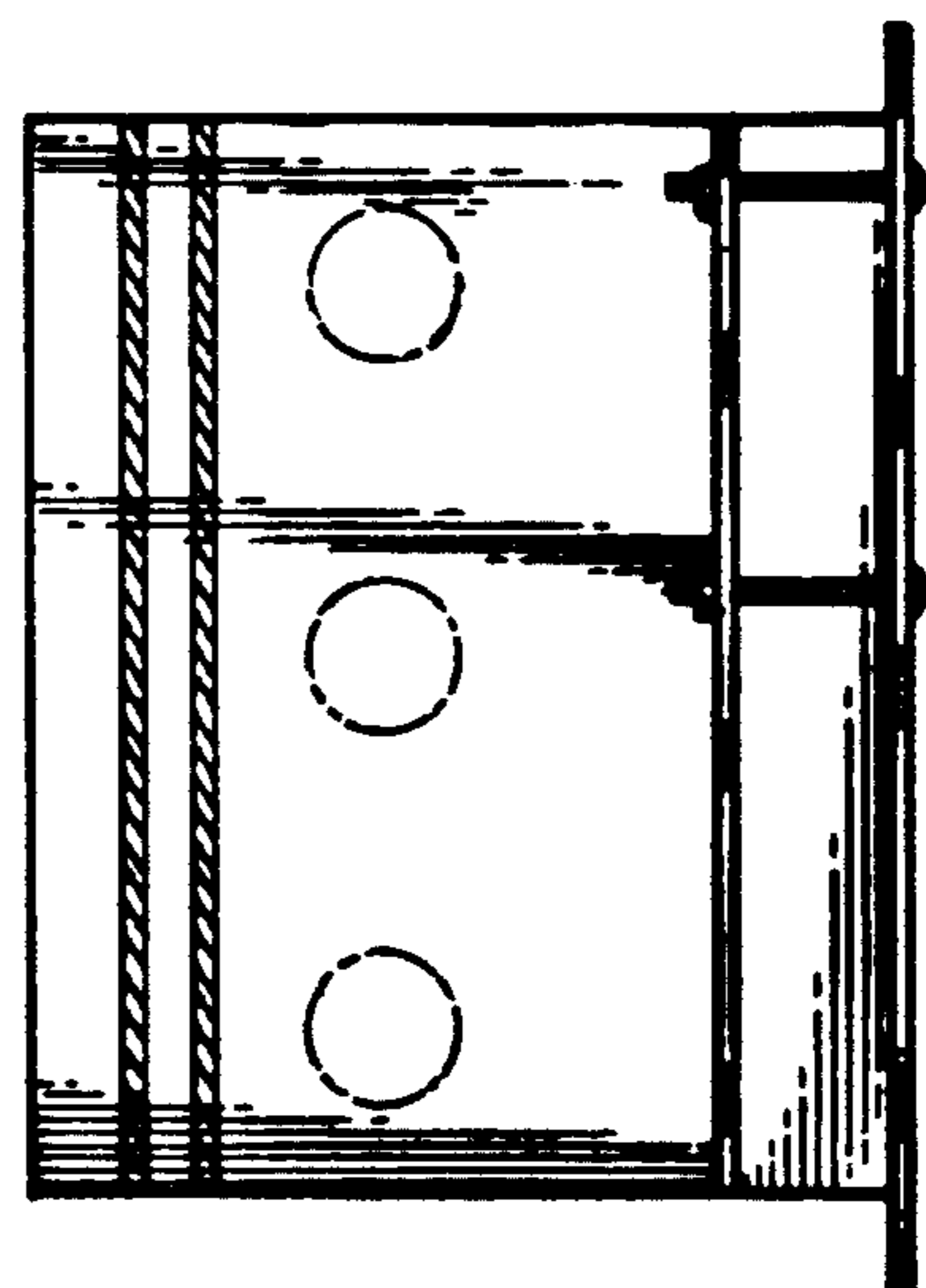


FIG. 5

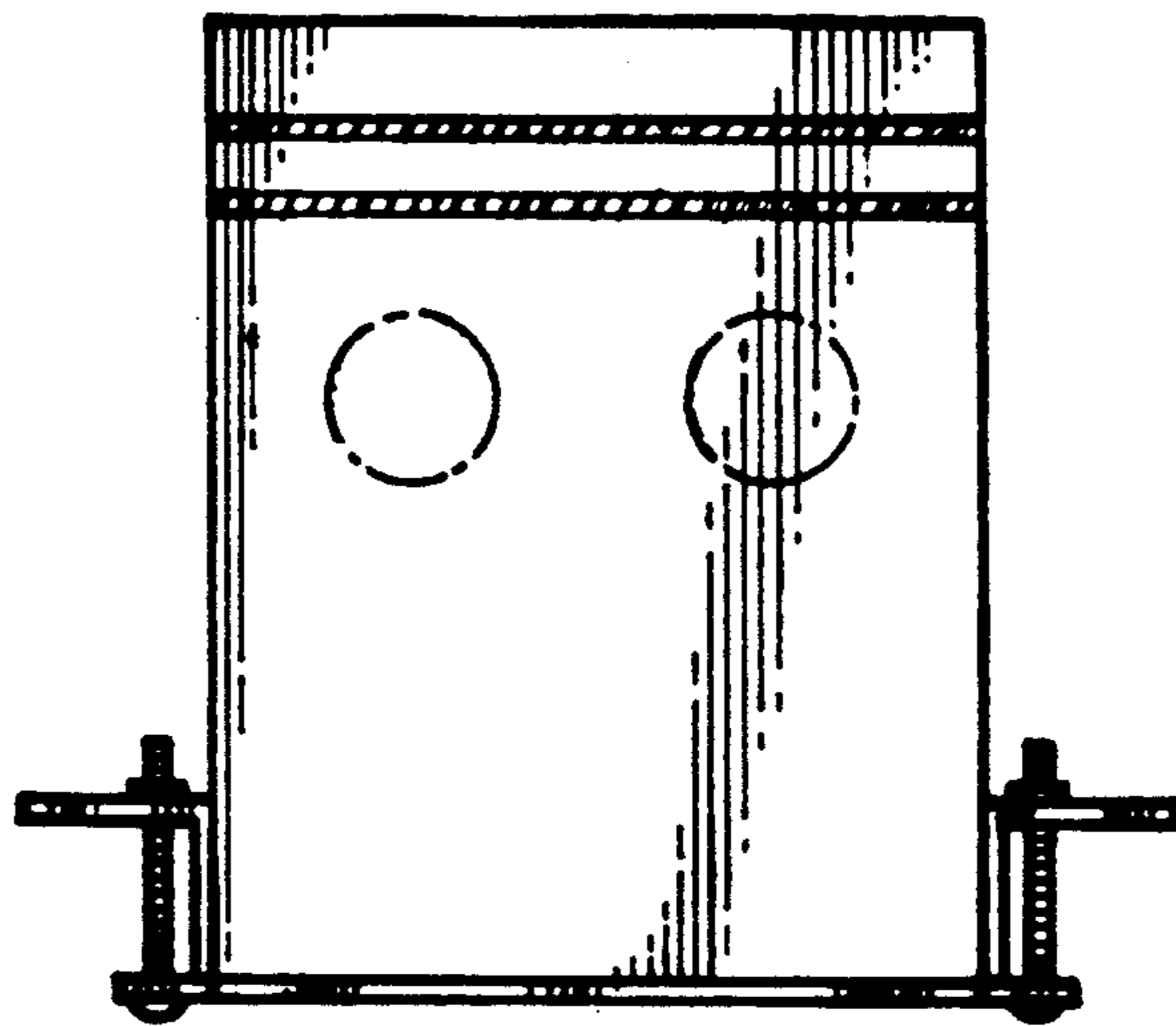


FIG. 6