



US00D341350S

United States Patent [19]

Steinke et al.

[11] Patent Number: Des. 341,350

[45] Date of Patent: ** Nov. 16, 1993

[54] DISC BRAKE SHIM

[75] Inventors: **Gustav J. Steinke; Starla D. Huffer,**
both of Lima, Ohio

[73] Assignee: **International Brake Industries, Inc.,**
Lima, Ohio

[**] Term: **14 Years**

[21] Appl. No.: **797,471**

[22] Filed: **Nov. 25, 1991**

[52] U.S. Cl. **D12/180**

[58] Field of Search **D12/180; 188/73.1, 250 B**

[56] **References Cited**

U.S. PATENT DOCUMENTS

D. 255,232 6/1980 Rinker et al. D12/180
4,836,339 6/1989 Kobayashi et al. 188/73.1

FOREIGN PATENT DOCUMENTS

2180308 3/1987 United Kingdom 188/73.1

Primary Examiner—Wallace R. Burke

Assistant Examiner—Melody Brown

Attorney, Agent, or Firm—Edgar A. Zarins; Malcolm L. Sutherland

[57] **CLAIM**

The ornamental design for a disk brake shim, as shown.

DESCRIPTION

FIG. 1 is a perspective view of a disc brake shim showing our new design;

FIG. 2 is a front elevational view thereof;

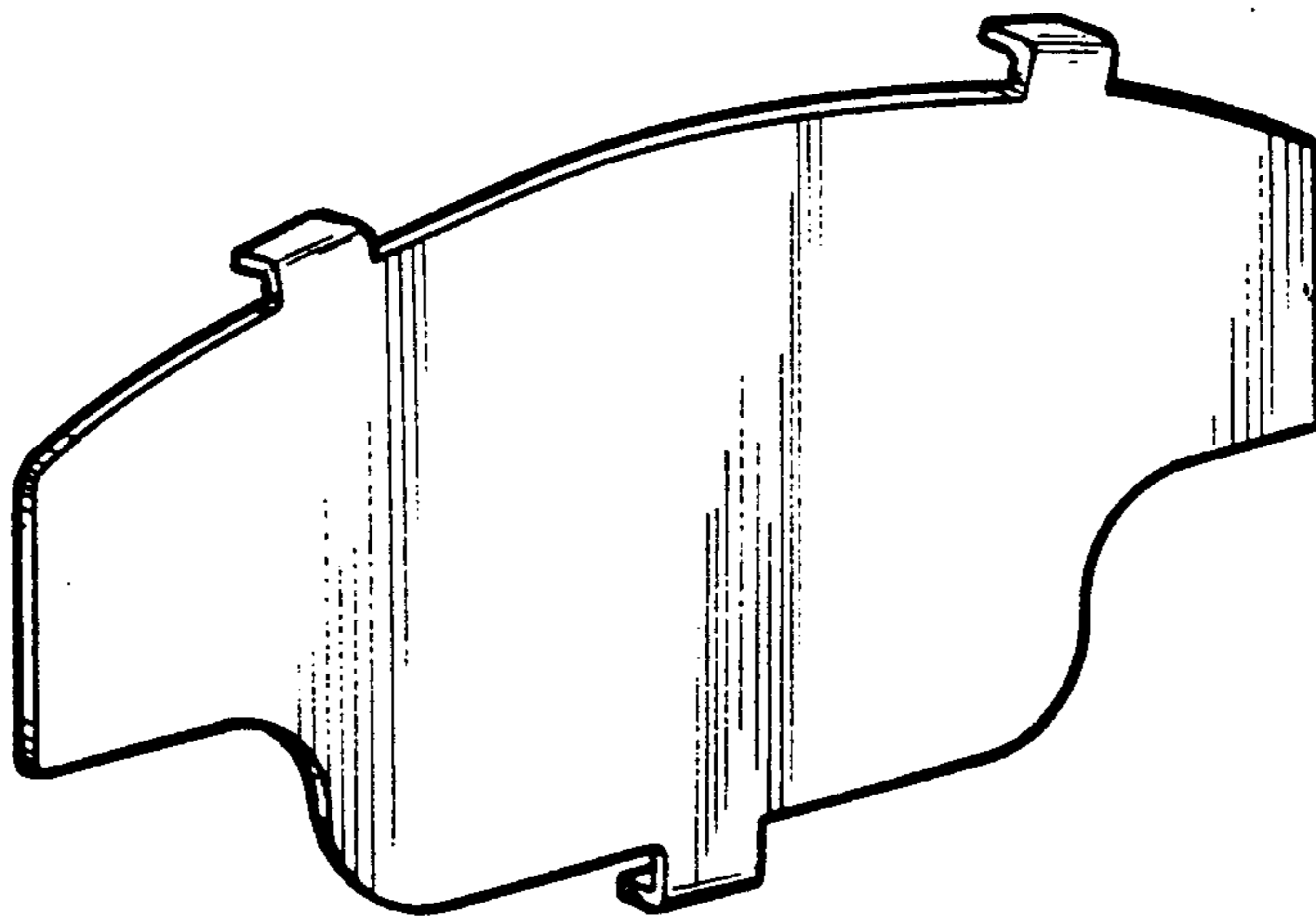
FIG. 3 is a front plan view thereof;

FIG. 4 is a top view thereof;

FIG. 5 is a right side view thereof;

FIG. 6 is a rear elevational view thereof; and,

FIG. 7 is a bottom view thereof.



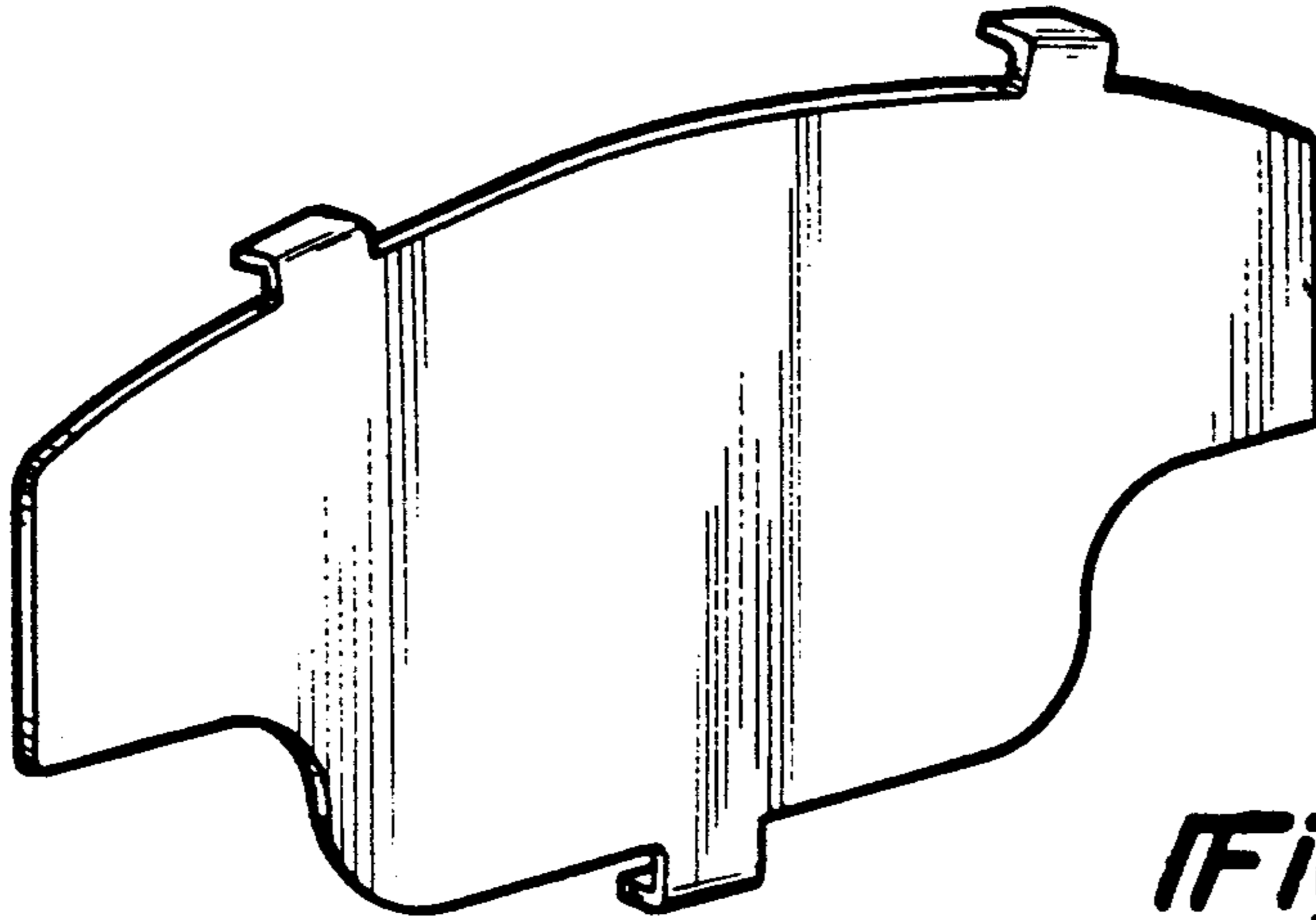


Fig-1



Fig-2

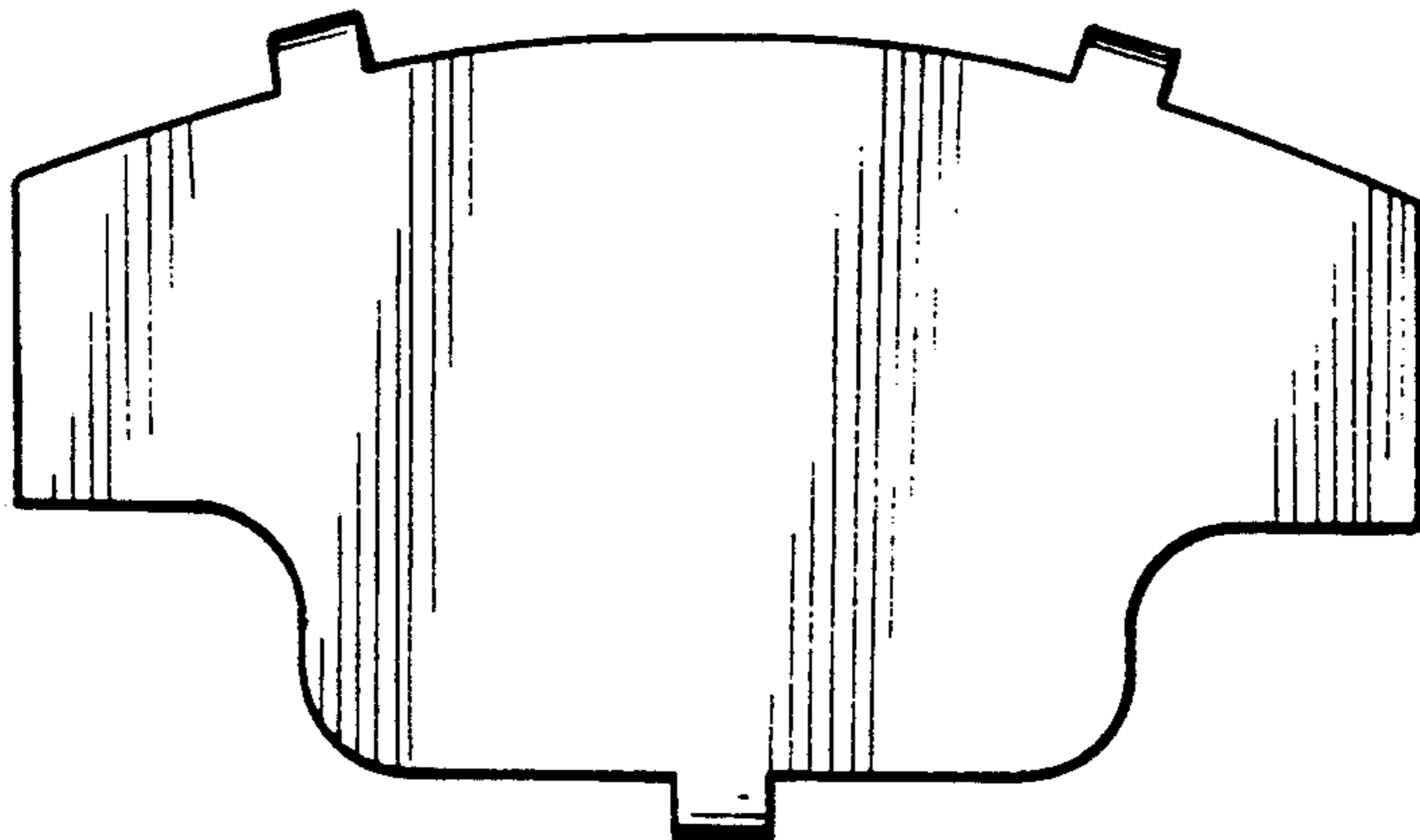


Fig-3



Fig-4



Fig-5

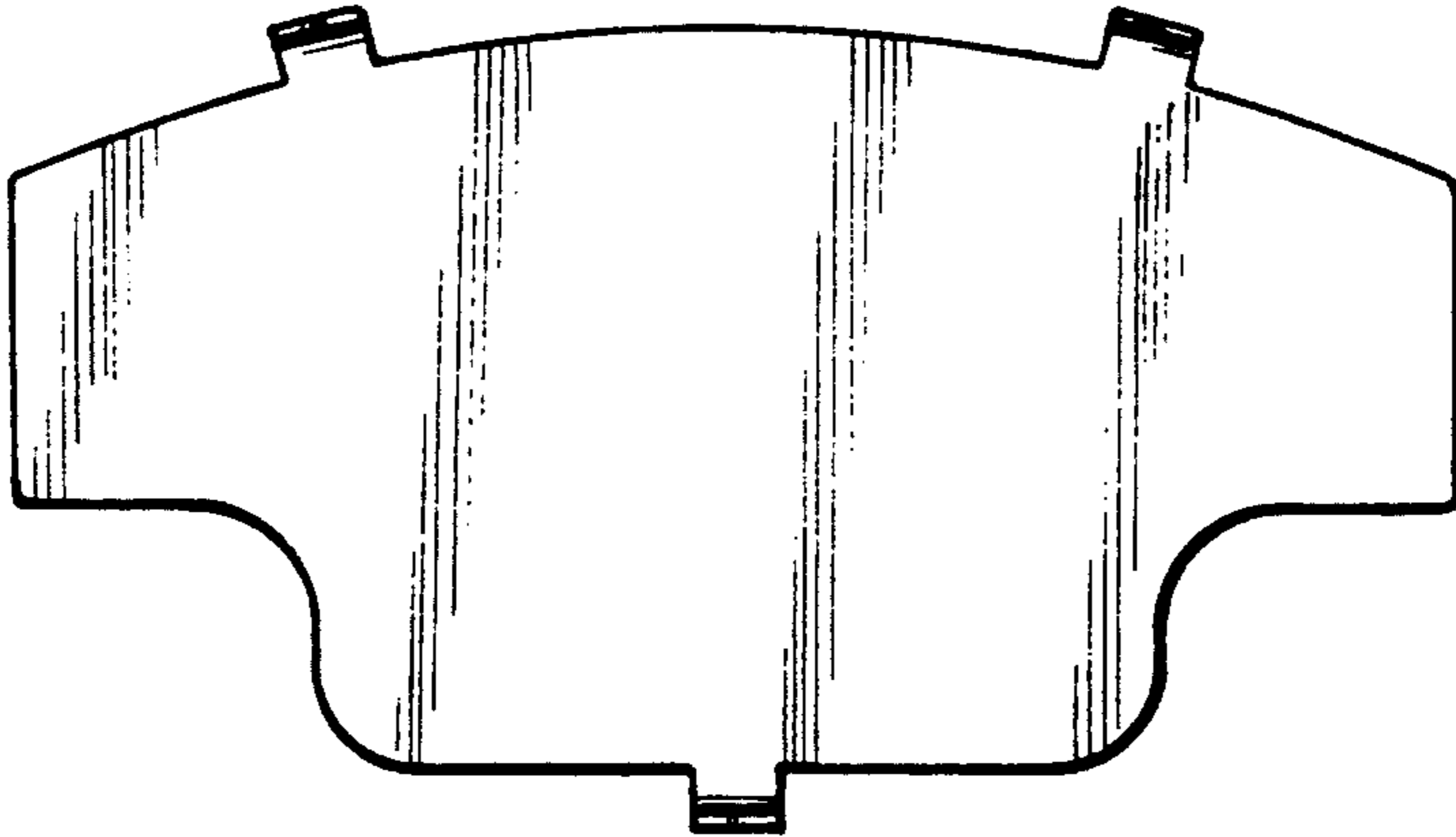


Fig-6



Fig-7