



US00D341348S

# United States Patent [19]

[11] Patent Number: **Des. 341,348**

**Williams**

[45] Date of Patent: **\*\* Nov. 16, 1993**

## [54] BIKE RACK

[76] Inventor: **Ronald C. Williams**, 1340 E. 2925 North, North Ogden, Utah 84414

[\*\*] Term: **14 Years**

[21] Appl. No.: **817,835**

[22] Filed: **Jan. 8, 1992**

[52] U.S. Cl. .... **D12/158**

[58] Field of Search ..... **D12/158; 224/42.03 B**

### [56] References Cited

#### U.S. PATENT DOCUMENTS

D. 325,553	4/1992	Weiner et al. ....	D12/158
5,067,641	11/1991	Johnson et al. ....	224/42.03 B
5,181,822	1/1993	Allsop et al. ....	224/42.03 B

## OTHER PUBLICATIONS

American Bicyclist & Motorcyclist, Jun. 1991, p. 48, the Trailmates Bicycle Rack (Model 440).

*Primary Examiner*—Wallace R. Burke

*Assistant Examiner*—Melody Brown

*Attorney, Agent, or Firm*—Hugh E. Smith

## [57] CLAIM

The ornamental design for a bike rack, as shown.

## DESCRIPTION

FIG. 1 is a front elevational view of the bike rack showing my new design;

FIG. 2 is a rear elevational view thereof;

FIG. 3 is a left side elevational view thereof;

FIG. 4 is a right side elevational view thereof;

FIG. 5 is a top plan view thereof;

FIG. 6 is a bottom plan view thereof; and,

FIG. 7 is a perspective view thereof.

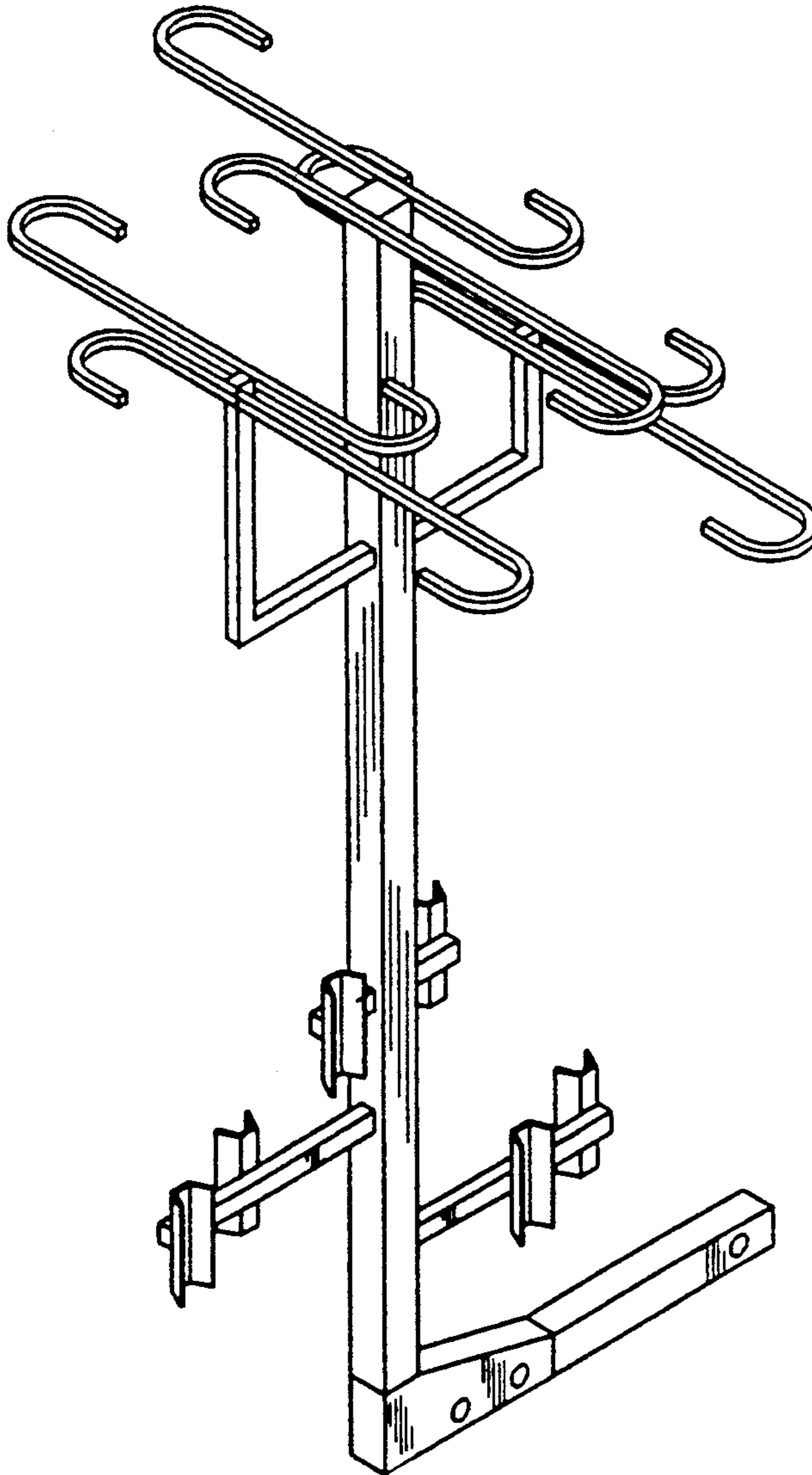


FIG. 1

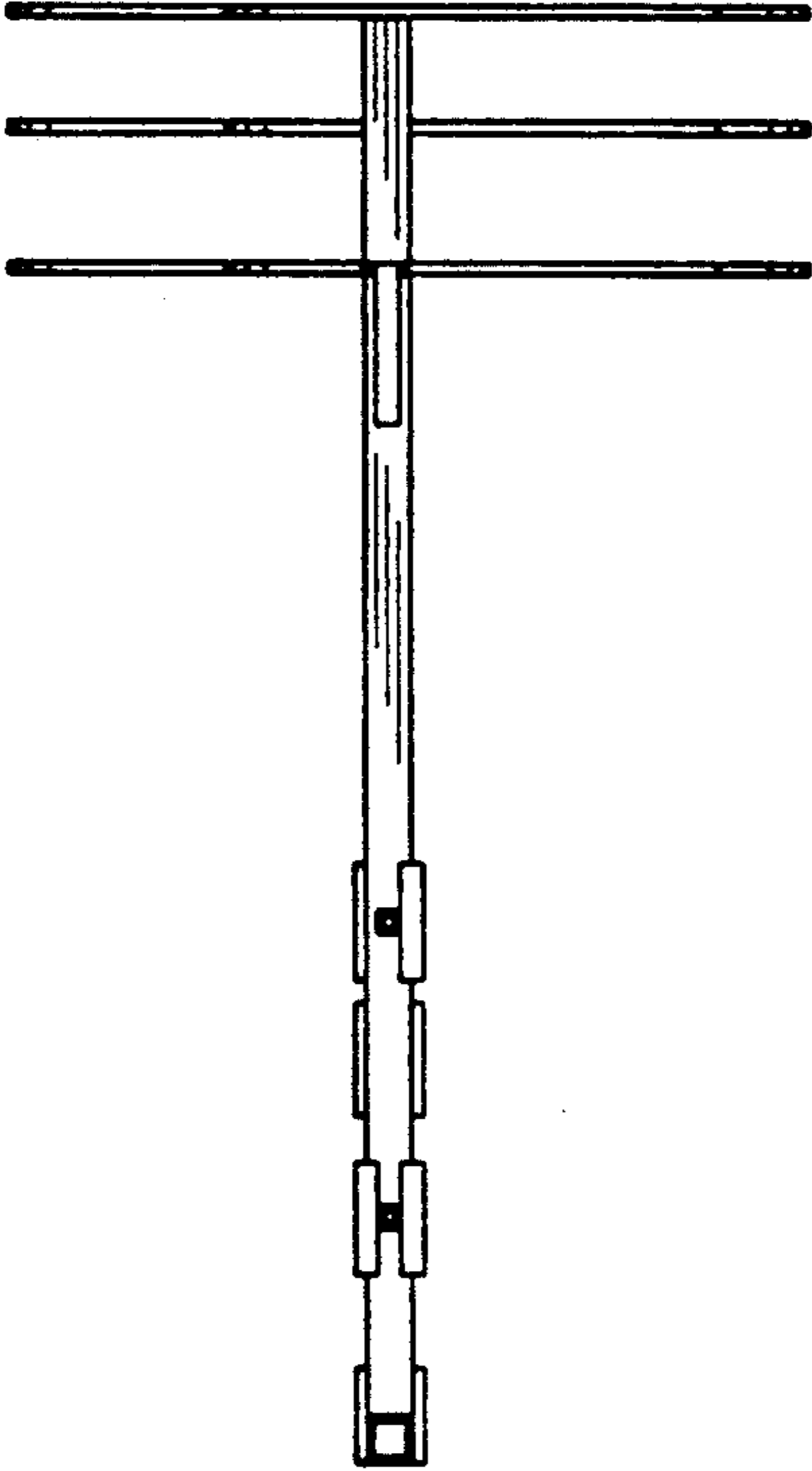


FIG. 2

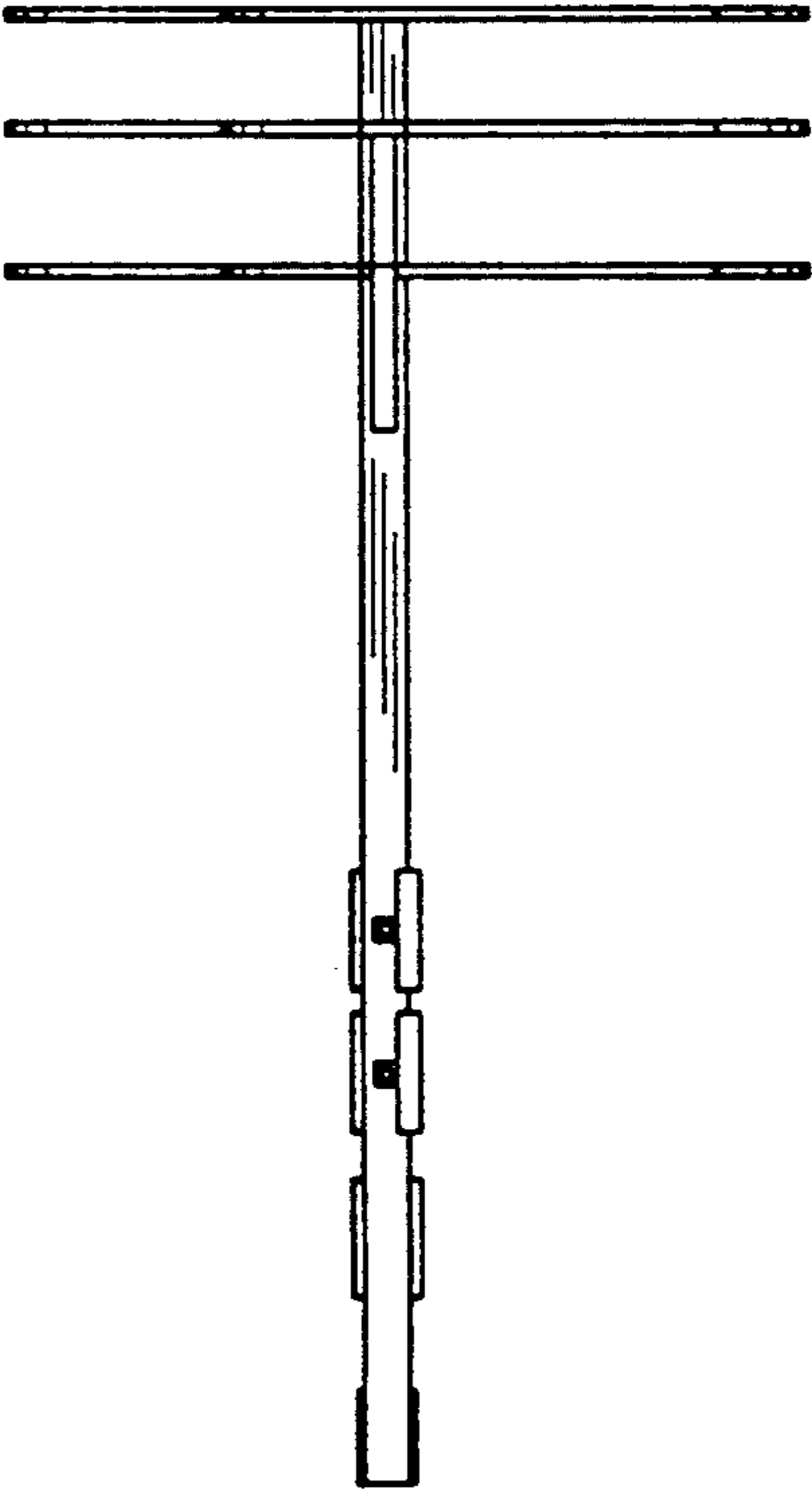


FIG. 3

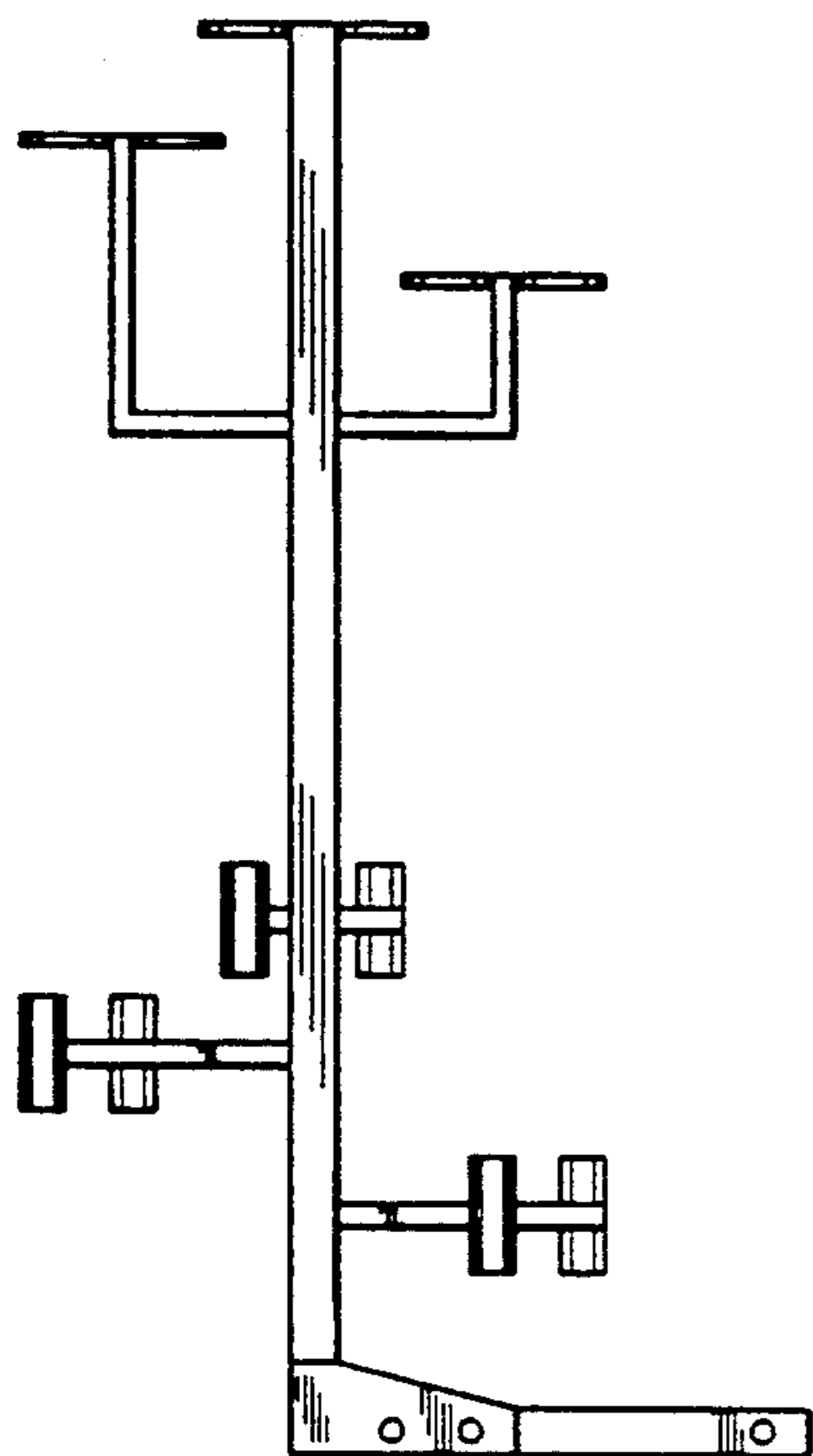
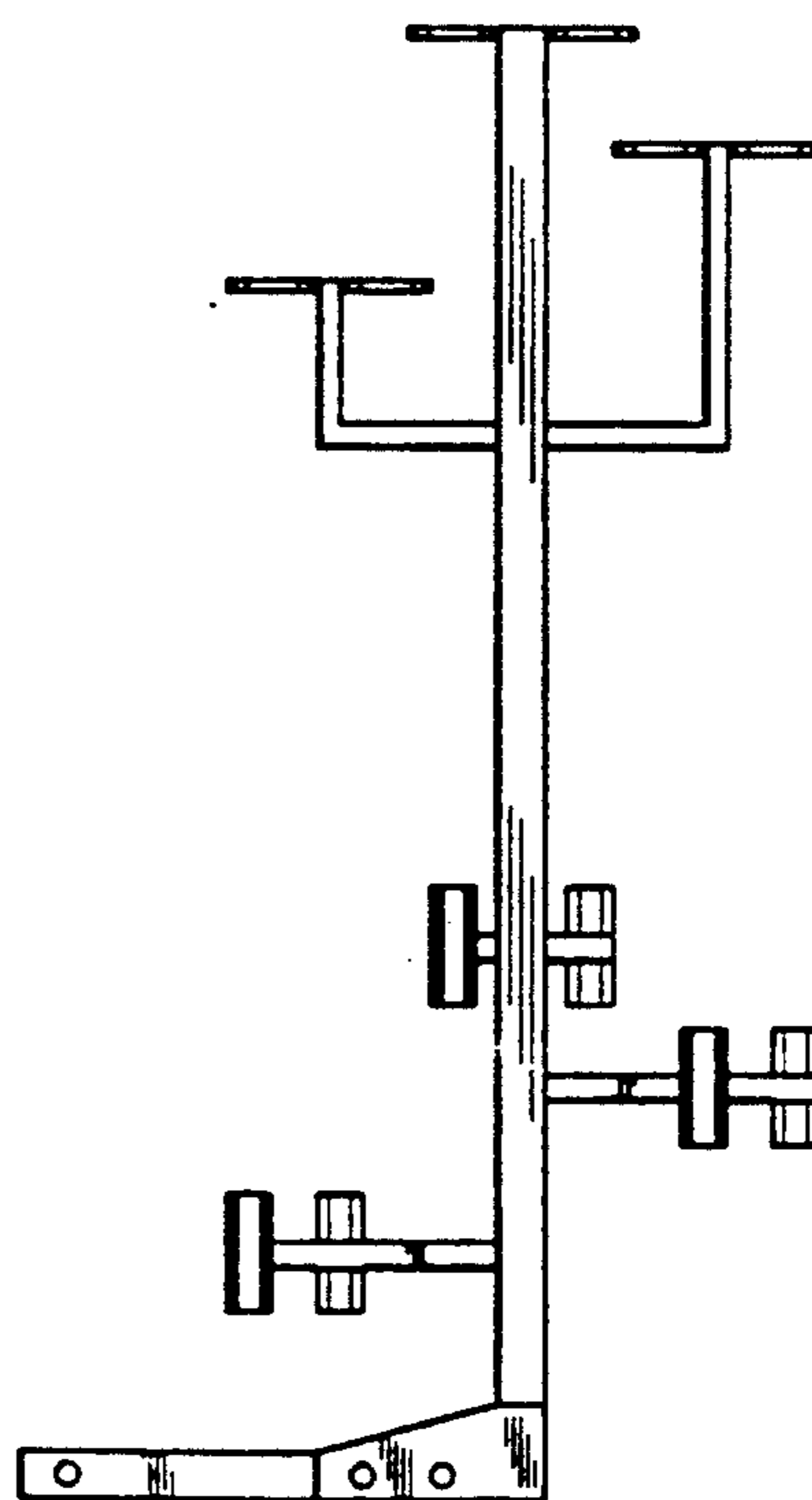
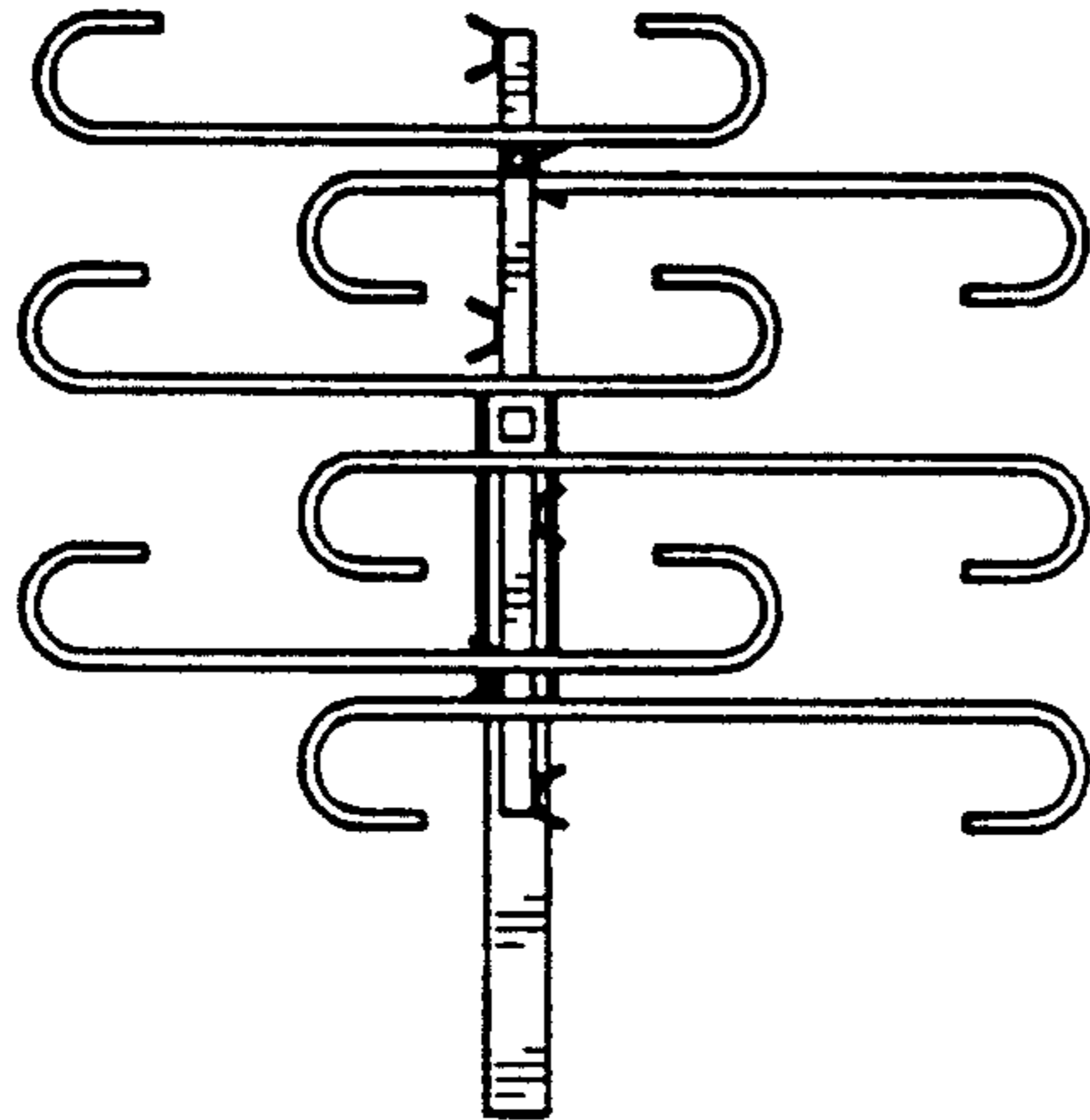


FIG. 4



*FIG. 5*



*FIG. 6*

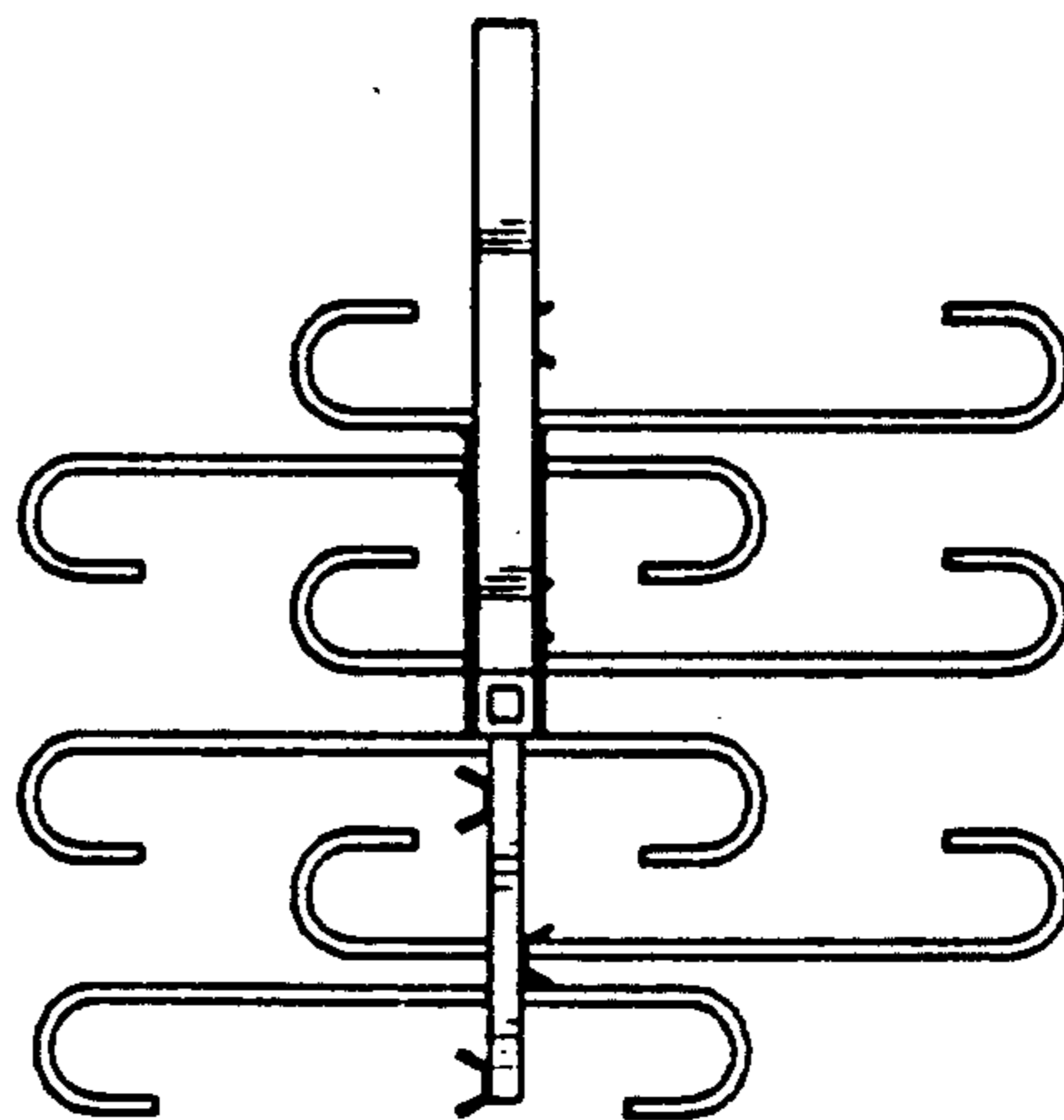


FIG. 7

