



US00D341345S

# United States Patent [19]

[11] Patent Number: **Des. 341,345**

**Killian**

[45] Date of Patent: **\*\* Nov. 16, 1993**

[54] TIRE

[75] Inventor: **Laurie W. Killian, Louisville, Ky.**

[73] Assignee: **Michelin Recherche et Technique, Fribourg, Switzerland**

[\*\*] Term: **14 Years**

[21] Appl. No.: **857,798**

[22] Filed: **Mar. 26, 1992**

[52] U.S. Cl. .... **D12/146**

[58] Field of Search ..... **D12/140, 145-151; 152/209 R, 209 B, 209 D**

[56] **References Cited**

**U.S. PATENT DOCUMENTS**

D. 280,090 8/1985 Graas ..... D12/143  
D. 328,580 8/1992 Killian ..... D12/147

**FOREIGN PATENT DOCUMENTS**

2-212204 8/1990 Japan ..... 152/209 D  
3-167009 7/1991 Japan ..... 152/209 D  
1028570 2/1986 United Kingdom .

**OTHER PUBLICATIONS**

Tire Design Guide 1992 p. 25 Continental Contact TS750 Tire.

Tire Design Guide 1992 p. 29 Dayton Metric Tire.

Tire Design Guide 1992 p. 109 Goodrich All Weather Commercial LT Tire.

Tire Design Guide 1992 p. 115 Kumho Power Grip 842 Tire.

Tire Design Guide 1992 p. 137 Yokohama Y814 Super Digger V Tire.

*Primary Examiner*—James M. Gandy

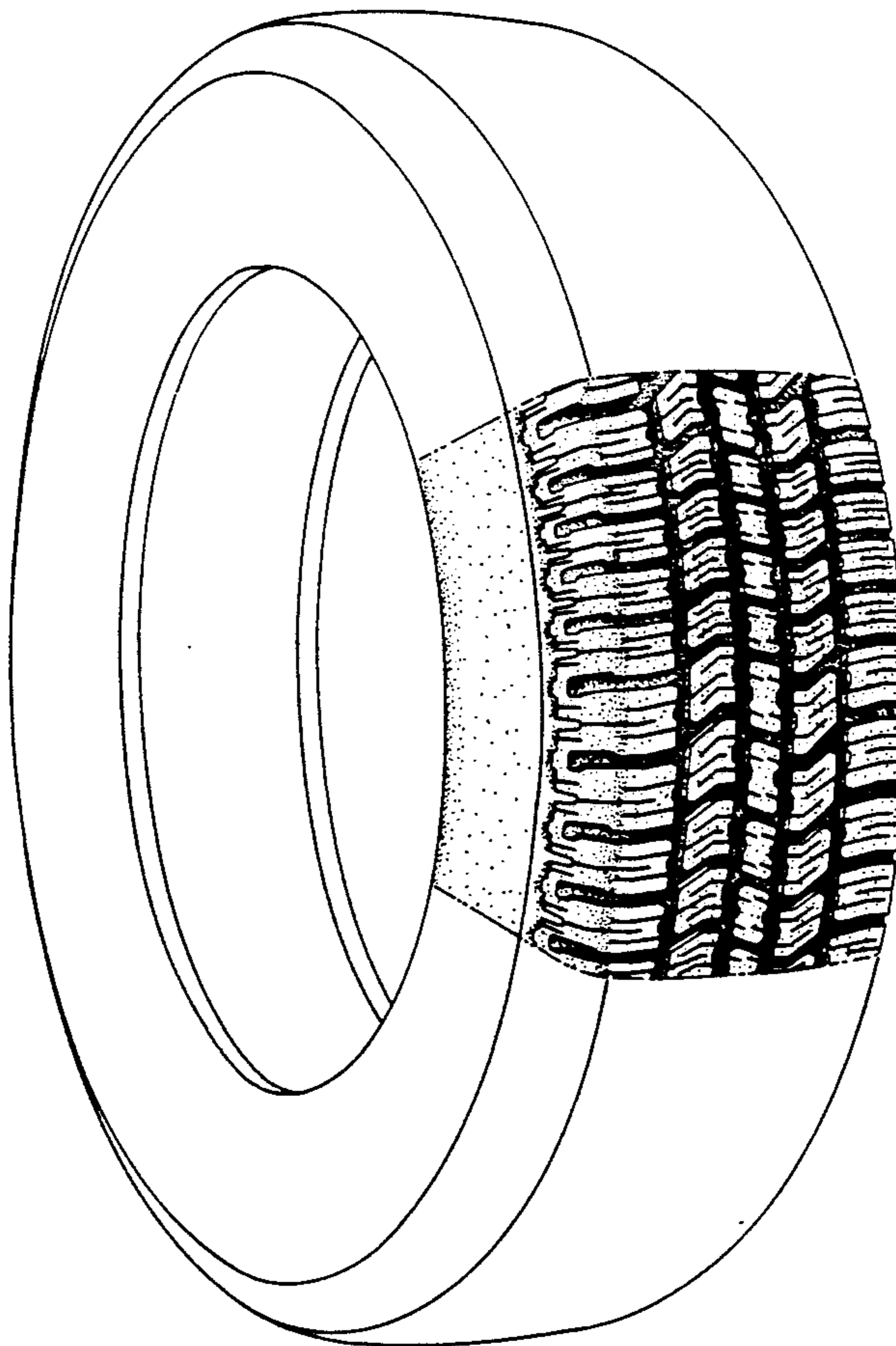
*Attorney, Agent, or Firm*—Robert R. Reed; Alan A. Csontos

[57] **CLAIM**

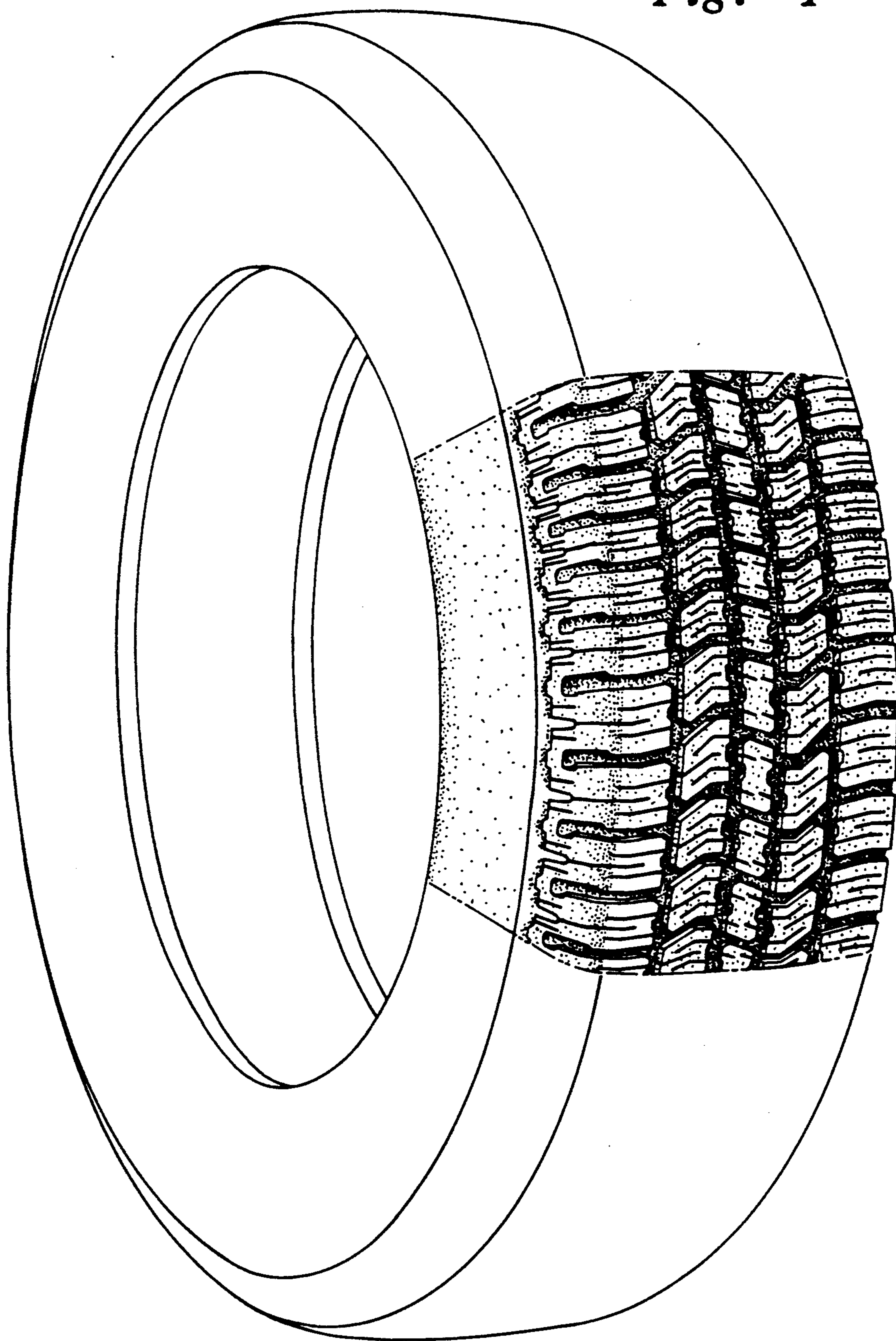
The ornamental design for a tire, as shown and described.

**DESCRIPTION**

FIG. 1 is a perspective view of a tire showing our new design, it being understood that the tread pattern is repeated throughout the circumference of the tire, as shown schematically by solid lines, the opposite side being substantially the same as that illustrated; and, FIG. 2 is an enlarged fragmentary plan view of the tread pattern of FIG. 1 showing our new design.



*Fig. 1*



*Fig. 2*

