



US00D341344S

United States Patent [19]

[11] Patent Number: **Des. 341,344**

Counts et al.

[45] Date of Patent: **** Nov. 16, 1993**

[54] **WHEELCHAIR FRAME**

4,648,619 3/1987 Jungnell et al. 280/650

[75] Inventors: **David M. Counts; Daniel E. Williamson**, both of Fresno, Calif.

Primary Examiner—Kay H. Chin
Attorney, Agent, or Firm—Flehr, Hohbach, Test, Albritton & Herbert

[73] Assignee: **Quickie Designs Inc.**, Fresno, Calif.

[57] **CLAIM**

[**] Term: **14 Years**

The ornamental design for a wheelchair frame, as shown and described.

[21] Appl. No.: **891,814**

DESCRIPTION

[22] Filed: **Jun. 1, 1992**

[52] U.S. Cl. **D12/133; D12/131**

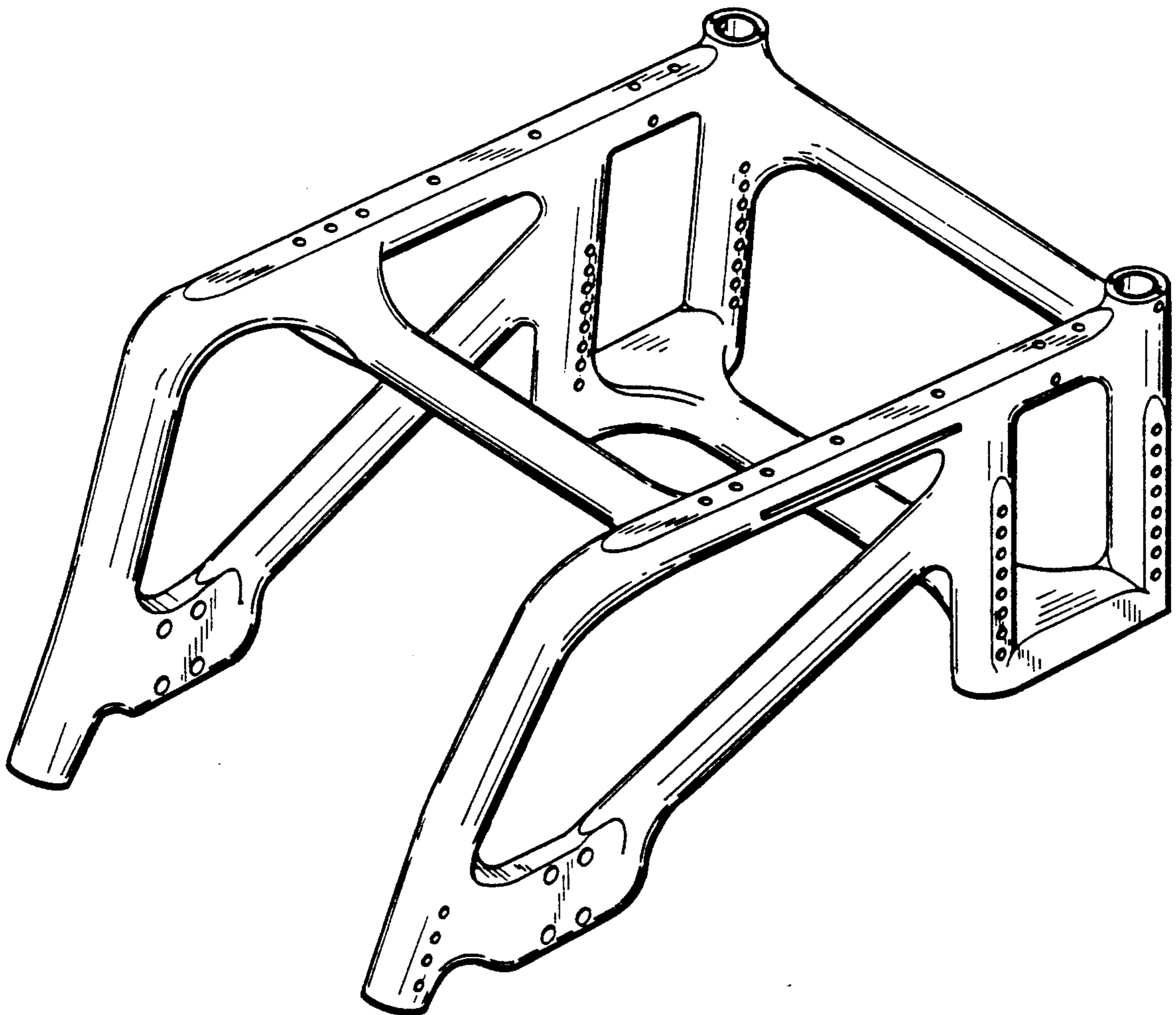
[58] Field of Search **D12/128, 131, 133; 280/650, 250.1, 242.1, 657; 297/DIG. 4**

FIG. 1 is a top perspective view showing my new design with associated wheelchair components shown in broken lines forming no part of the design;
FIG. 2 is a top perspective view of my new design;
FIG. 3 is a side elevation view of one side thereof with the opposite side being a mirror image thereof;
FIG. 4 is a front elevation view thereof;
FIG. 5 is a rear elevation view thereof;
FIG. 6 is a top plan view thereof; and,
FIG. 7 is a bottom plan view thereof.

[56] **References Cited**

U.S. PATENT DOCUMENTS

- D. 269,172 5/1983 Minnebraker D12/131
- D. 273,855 5/1984 Leach D12/131
- D. 277,949 3/1985 Minnebraker D12/131



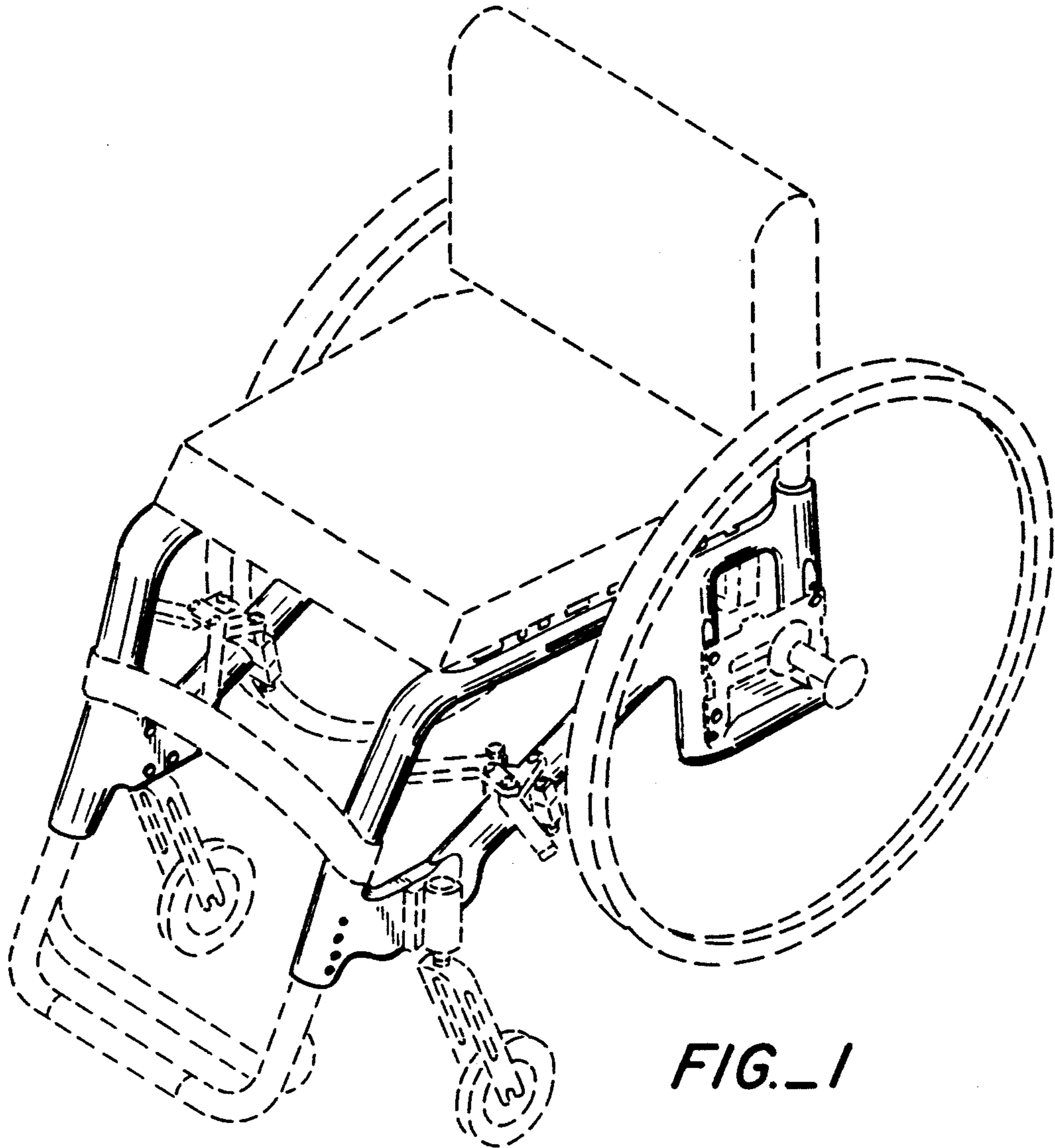


FIG. 1

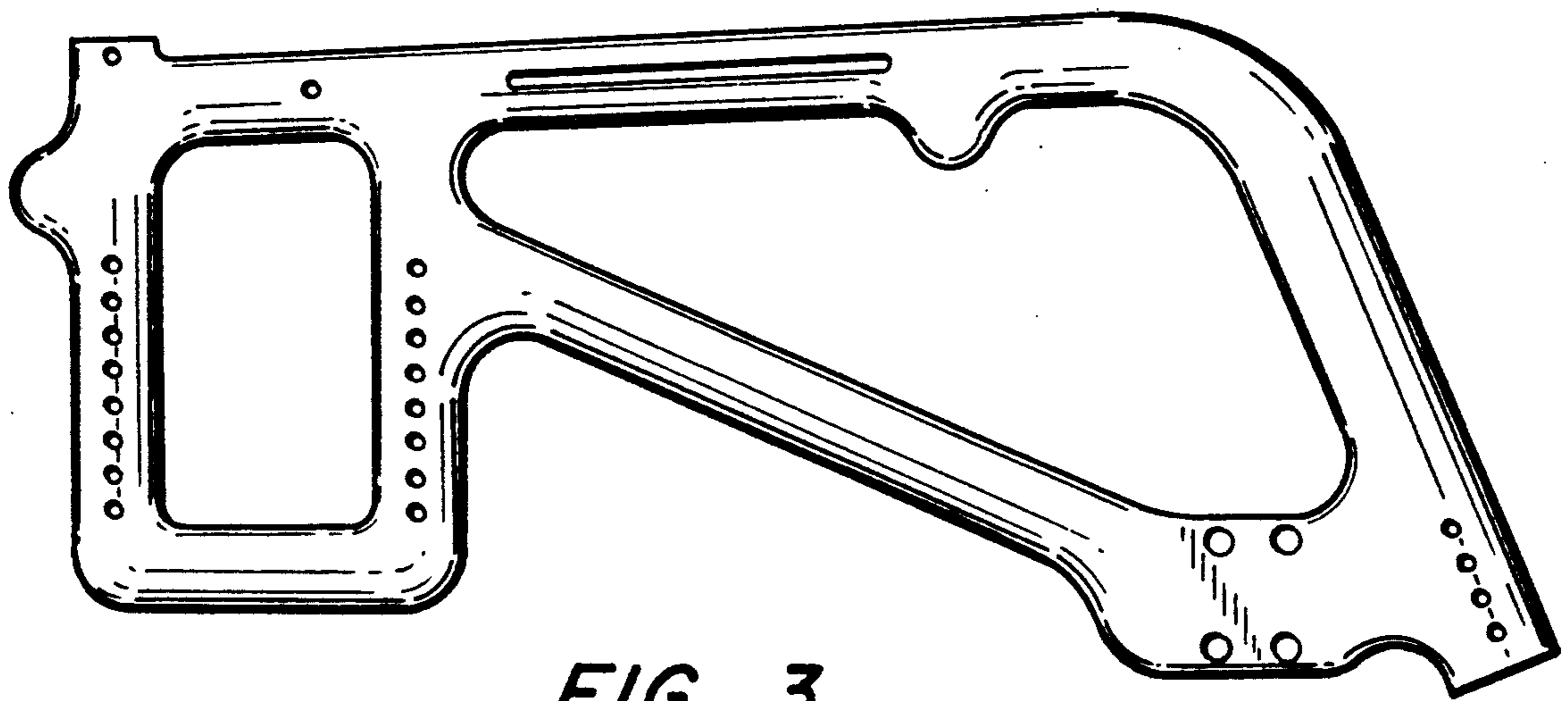


FIG. 3

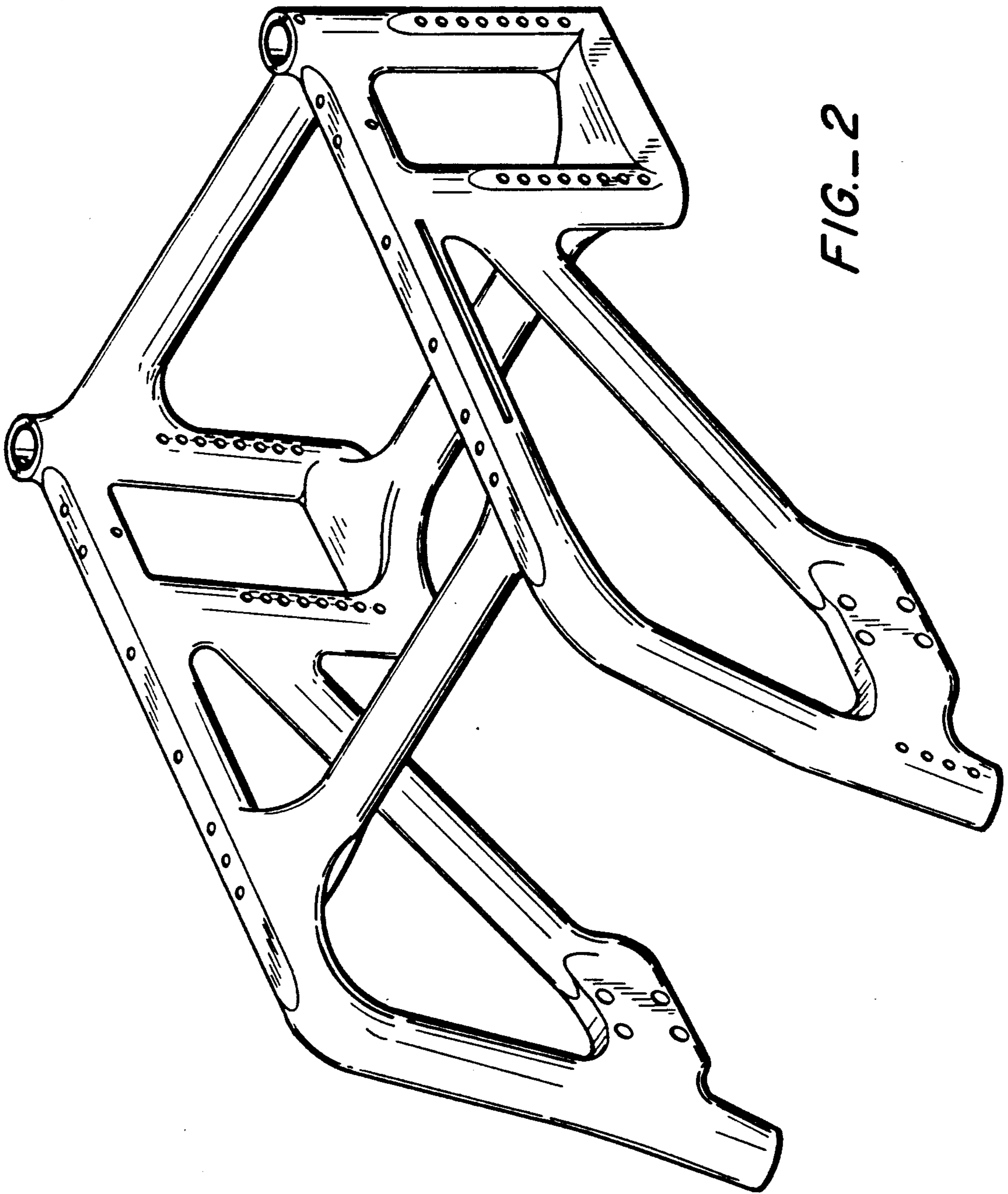


FIG.-2

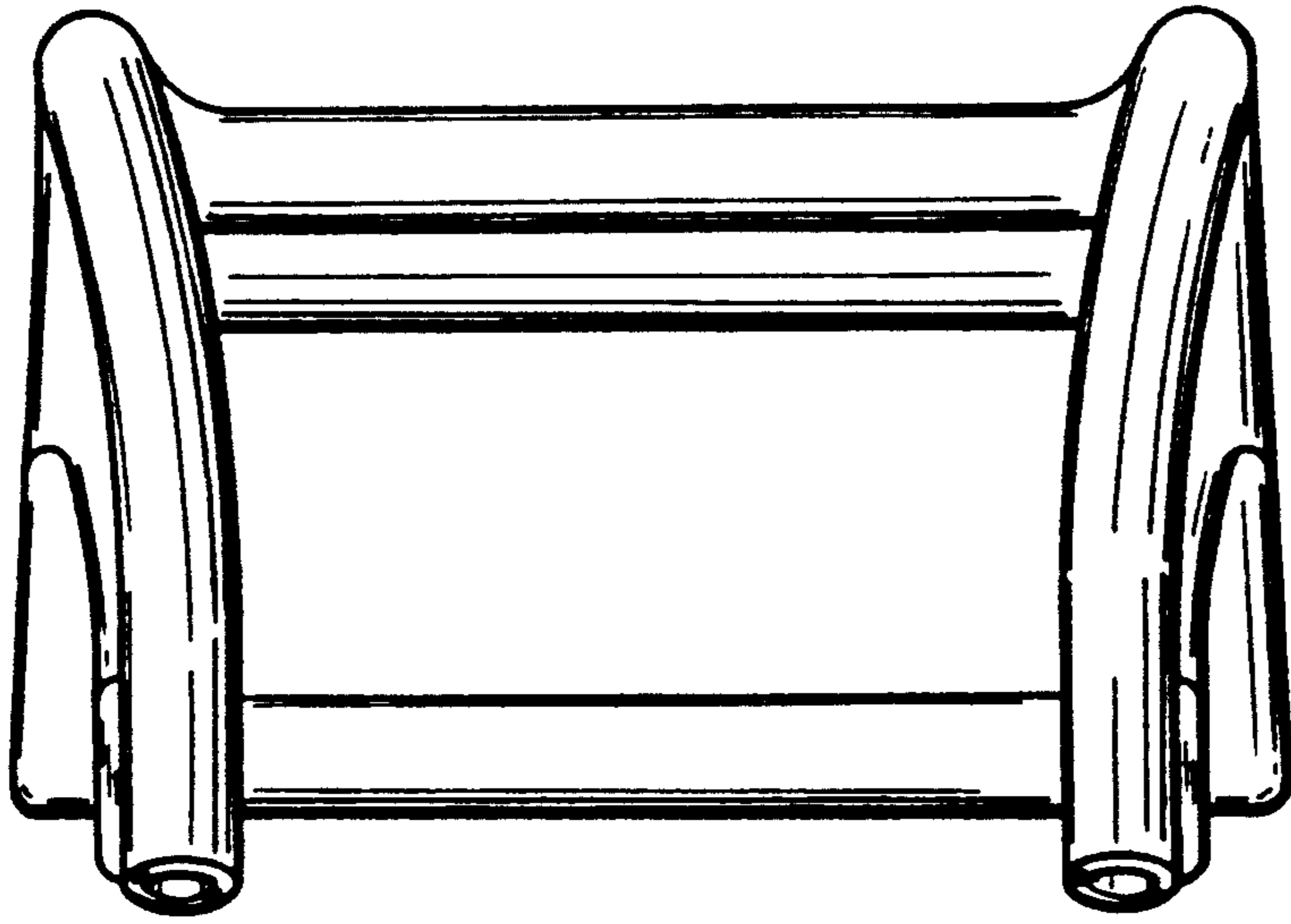


FIG. 4

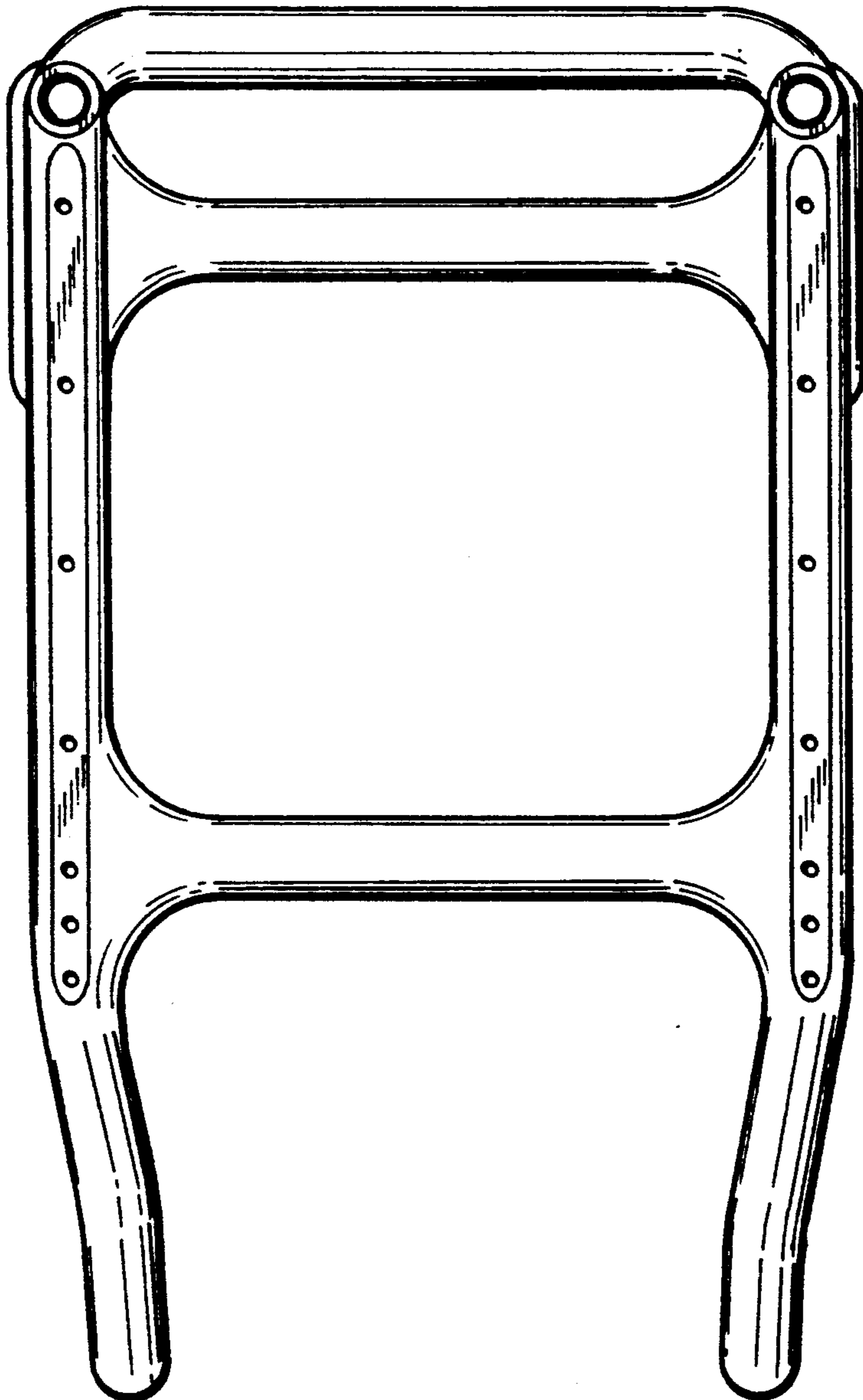


FIG. 6

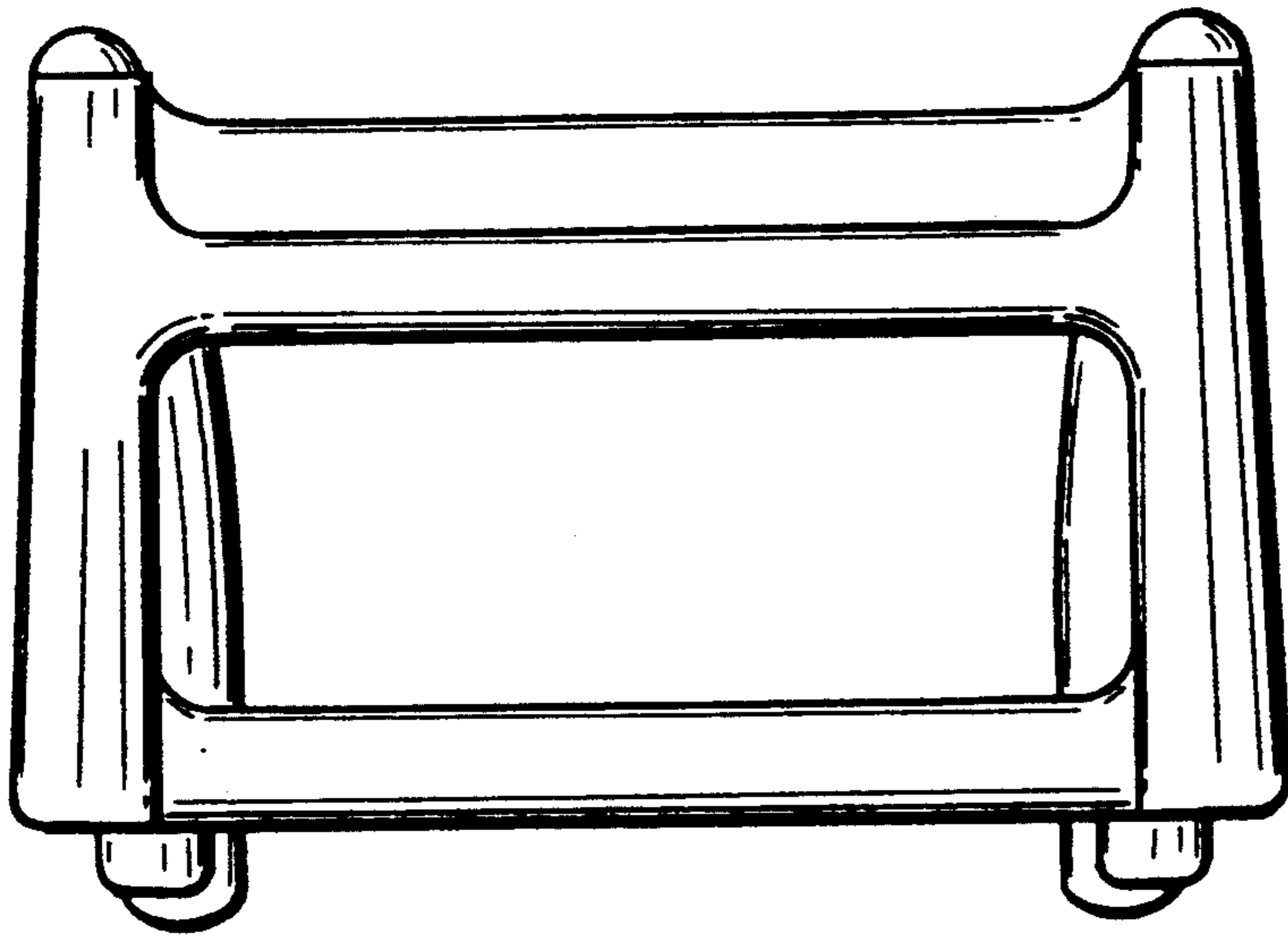


FIG. 5

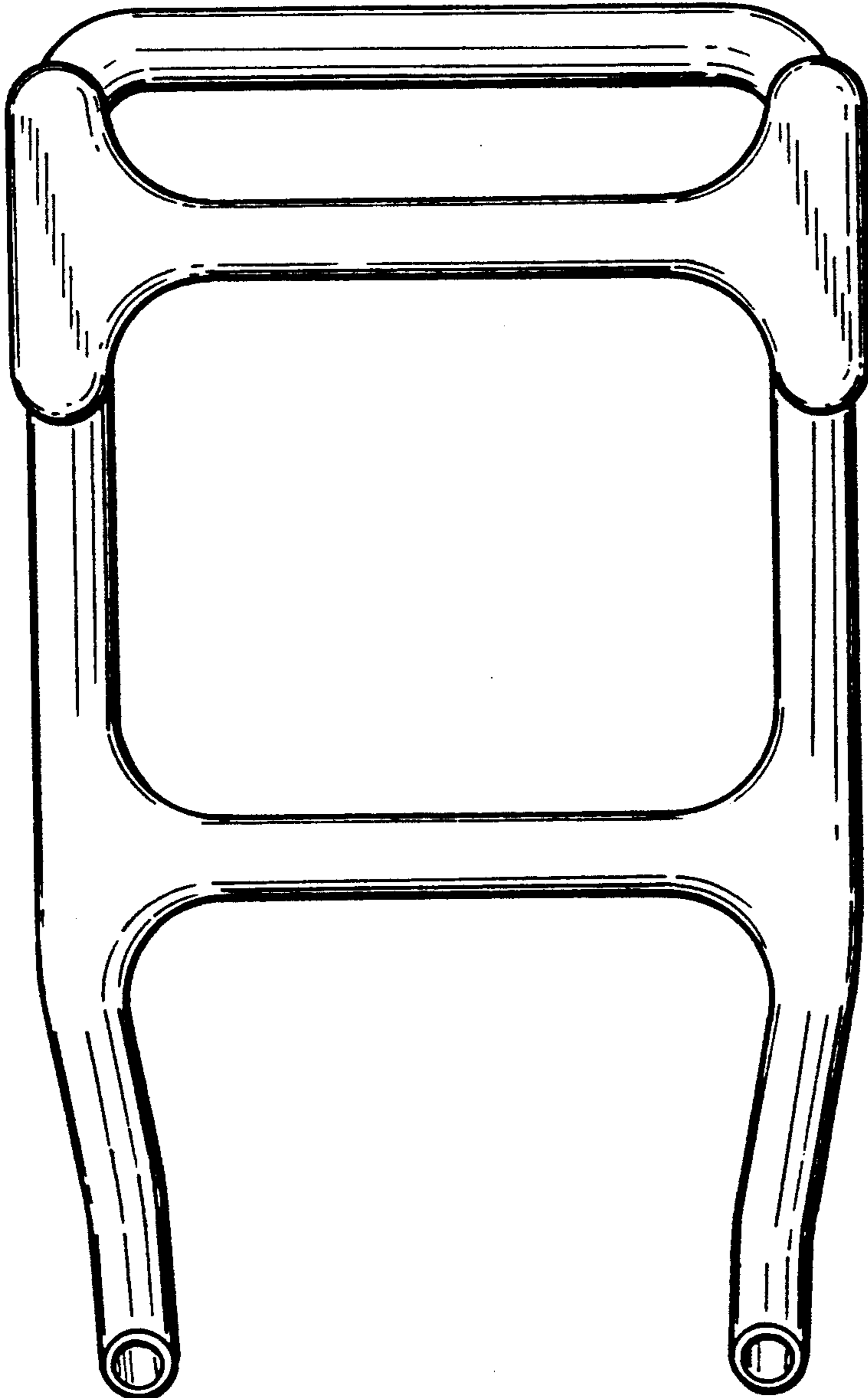


FIG. 7