



US00D341330S

United States Patent [19]

[11] Patent Number: Des. 341,330

Remo et al.

[45] Date of Patent: ** Nov. 16, 1993

[54] TENSIOMETER

DESCRIPTION

[75] Inventors: **Joseph T. Remo**, South Salem, N.Y.; **Alfred G. Evans**, Torrington; **Paul O. Rawson**, Easton, both of Conn.

[73] Assignee: **United States Surgical Corporation**, Norwalk, Conn.

[**] Term: **14 Years**

[21] Appl. No.: **826,161**

[22] Filed: **Jan. 23, 1992**

[52] U.S. Cl. **D10/83; D10/78**

[58] Field of Search **D10/78, 83; D24/232; 73/104, 819, 820-828**

[56] References Cited

U.S. PATENT DOCUMENTS

- D. 204,560 4/1966 Merl D10/83
- D. 318,627 7/1991 Frederick D10/78 X
- 3,969,930 7/1976 Prevorsek et al. 73/826 X

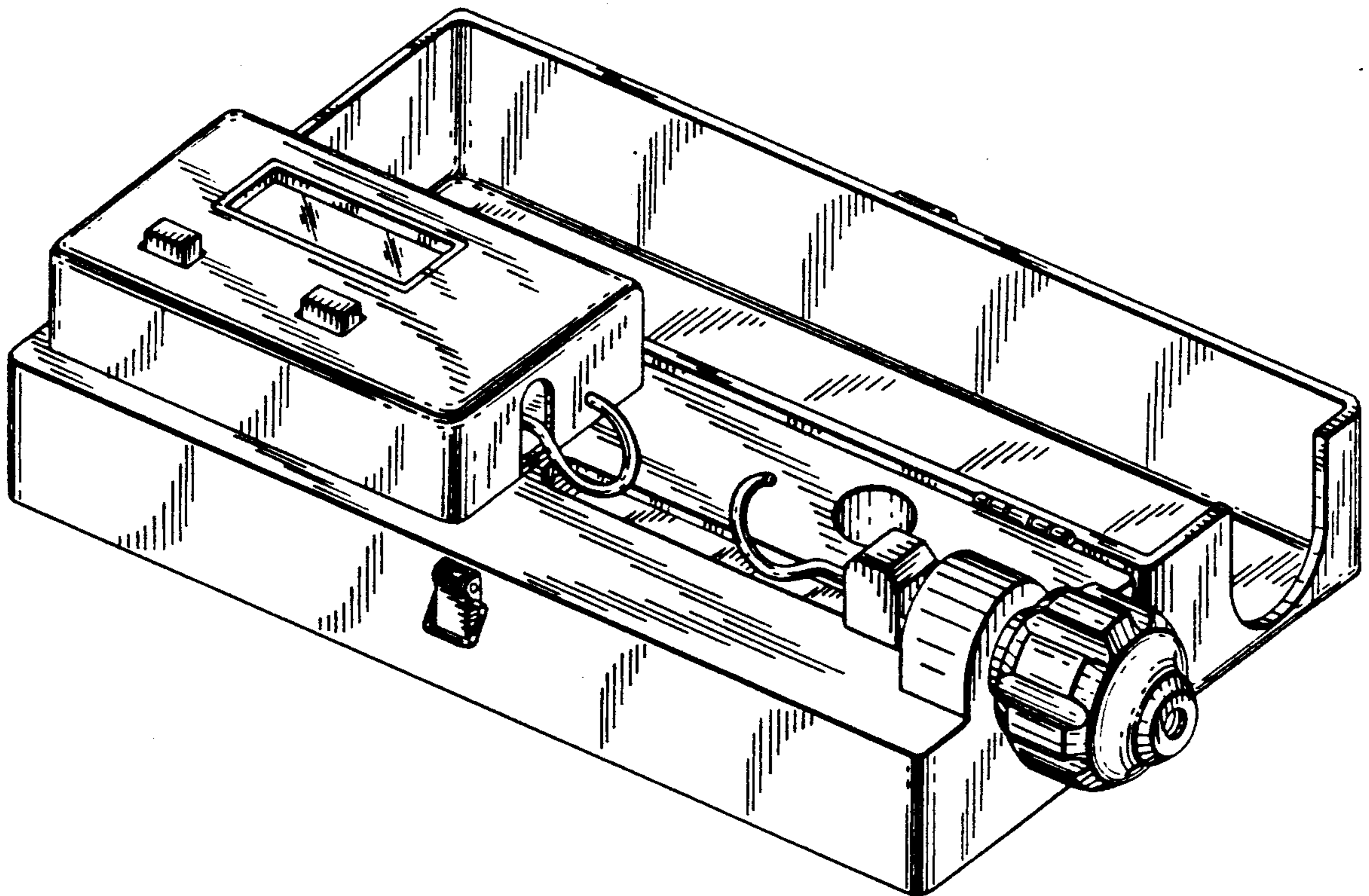
Primary Examiner—Alan P. Douglas
Assistant Examiner—Antoine D. Davis
Attorney, Agent, or Firm—Peter G. Dilworth; Rocco S. Barrese; Thomas R. Bremer

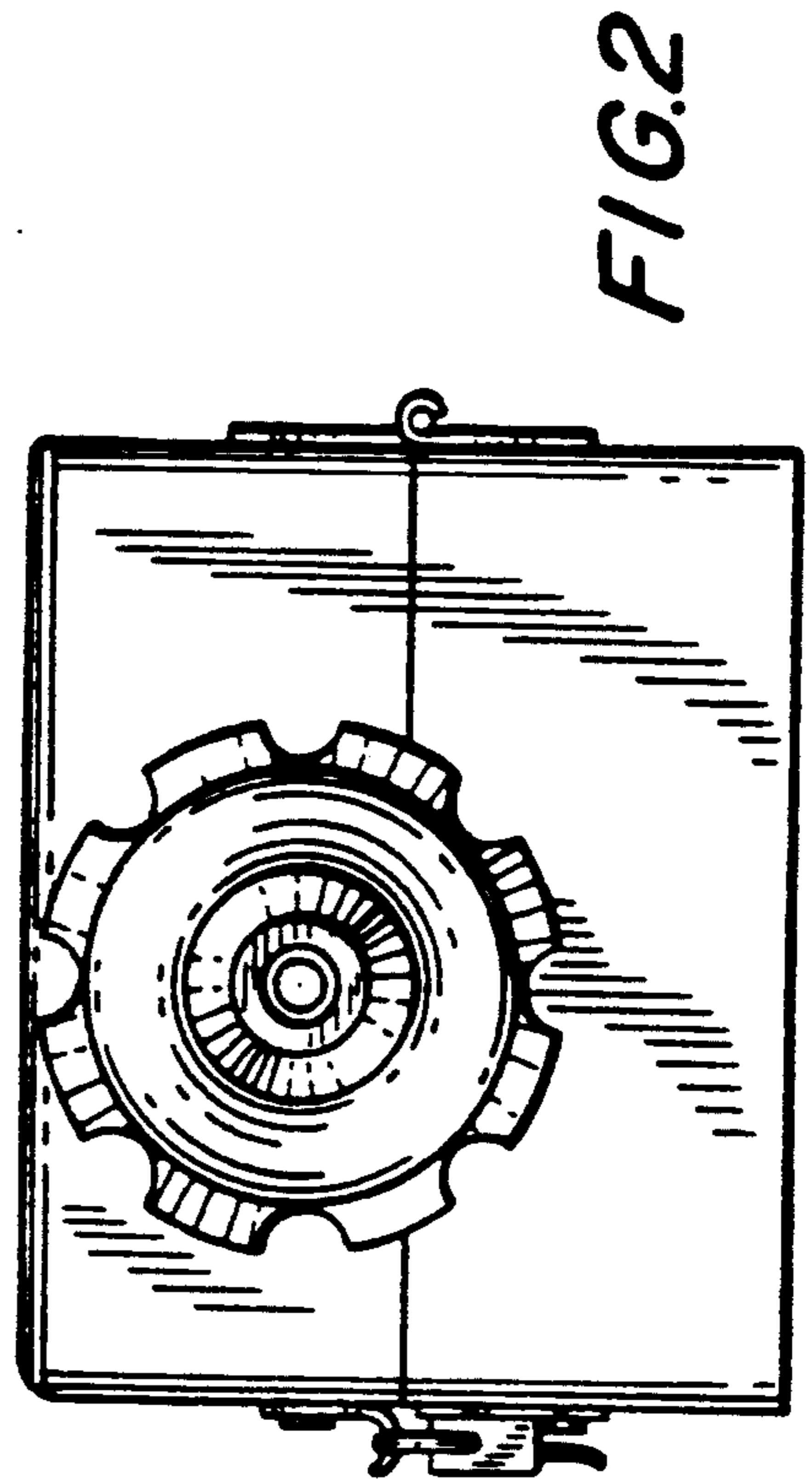
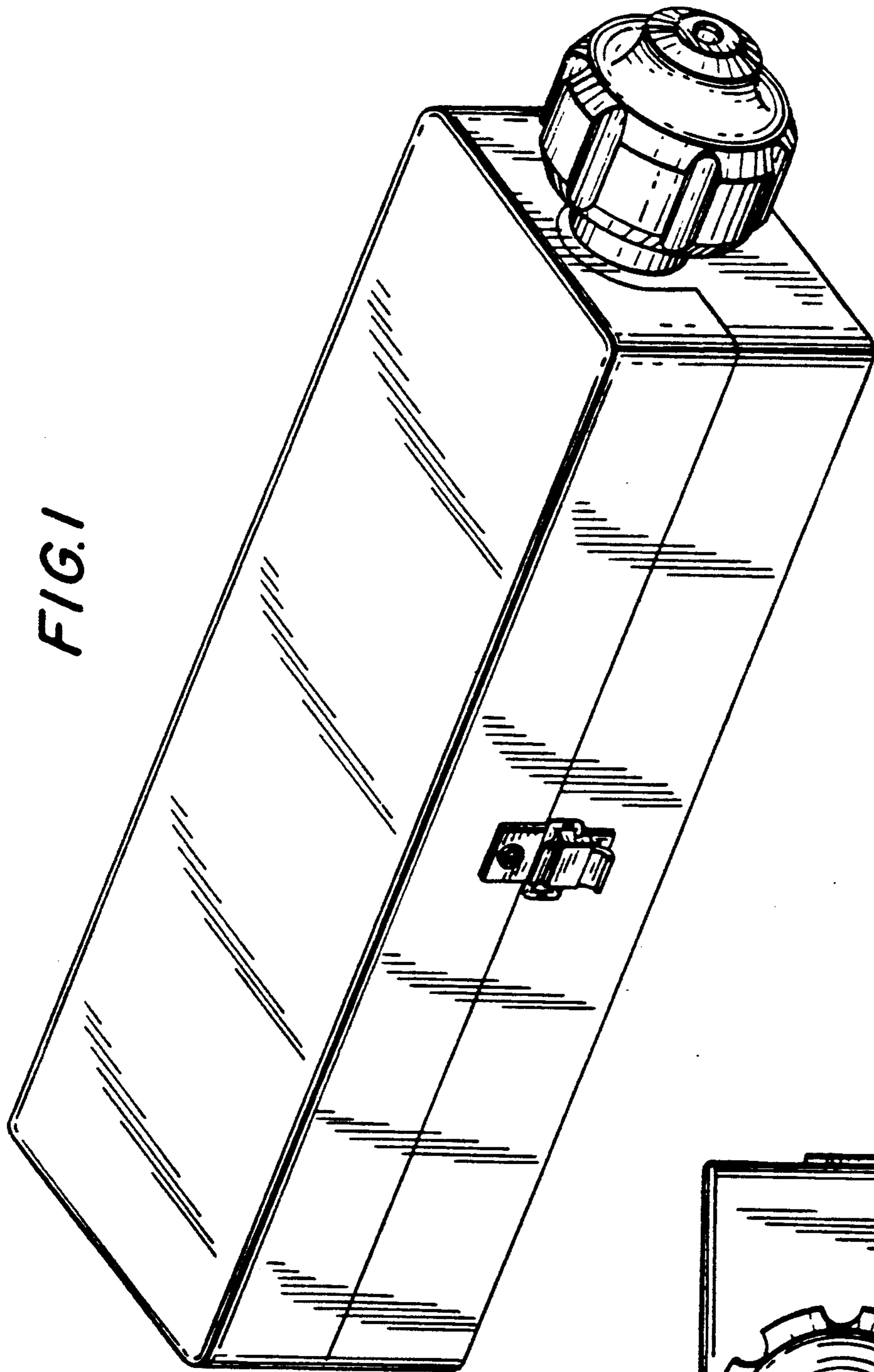
[57] CLAIM

The ornamental design for a tensiometer, as shown.

FIG. 1 is a front perspective view from above of the tensiometer, illustrating my new design;
 FIG. 2 is a left side elevational view thereof;
 FIG. 3 is a right side elevational view thereof;
 FIG. 4 is a front elevational view thereof;
 FIG. 5 is a rear elevational view thereof;
 FIG. 6 is a top plan view thereof;
 FIG. 7 is a bottom plan view thereof;
 FIG. 8 is a front perspective view from above of another embodiment of the tensiometer shown in FIG. 1 with the cover portion in the open position;
 FIG. 9 is a left side elevational view thereof;
 FIG. 10 is a right side elevational view thereof;
 FIG. 11 is a front elevational view thereof;
 FIG. 12 is a rear elevational view thereof;
 FIG. 13 is a top plan view thereof;
 FIG. 14 is a bottom plan view thereof;
 FIG. 15 is a rear perspective view from above of another embodiment of the tensiometer shown in FIG. 1 with the cover portion removed;
 FIG. 16 is a left side elevational view thereof;
 FIG. 17 is a right side elevational view thereof;
 FIG. 18 is a front elevational view thereof;
 FIG. 19 is a rear elevational view thereof;
 FIG. 20 is a top plan view thereof; and,
 FIG. 21 is a bottom plan view thereof.

The broken line showing of hinges and a lock are for illustrative purposes only and forms no part of the claimed design.





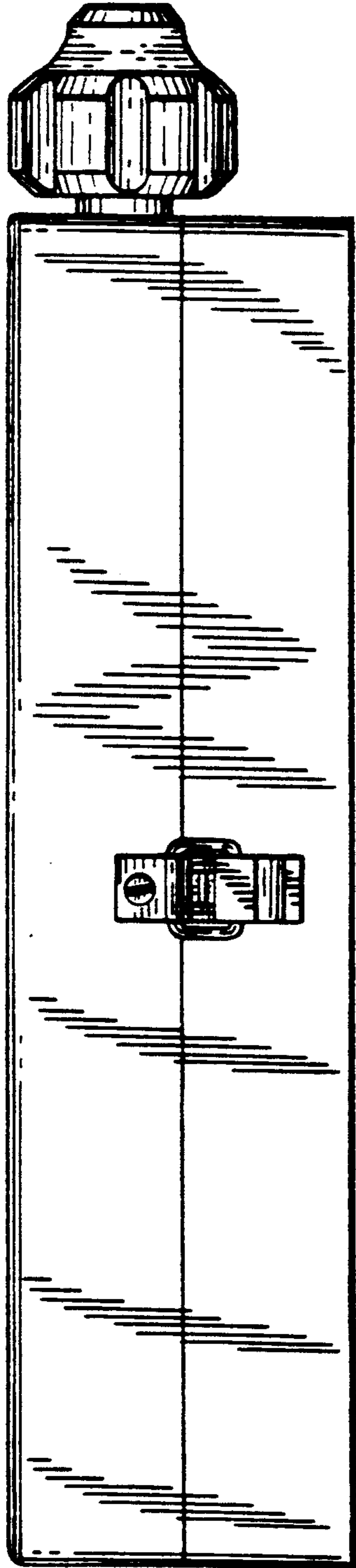


FIG. 3

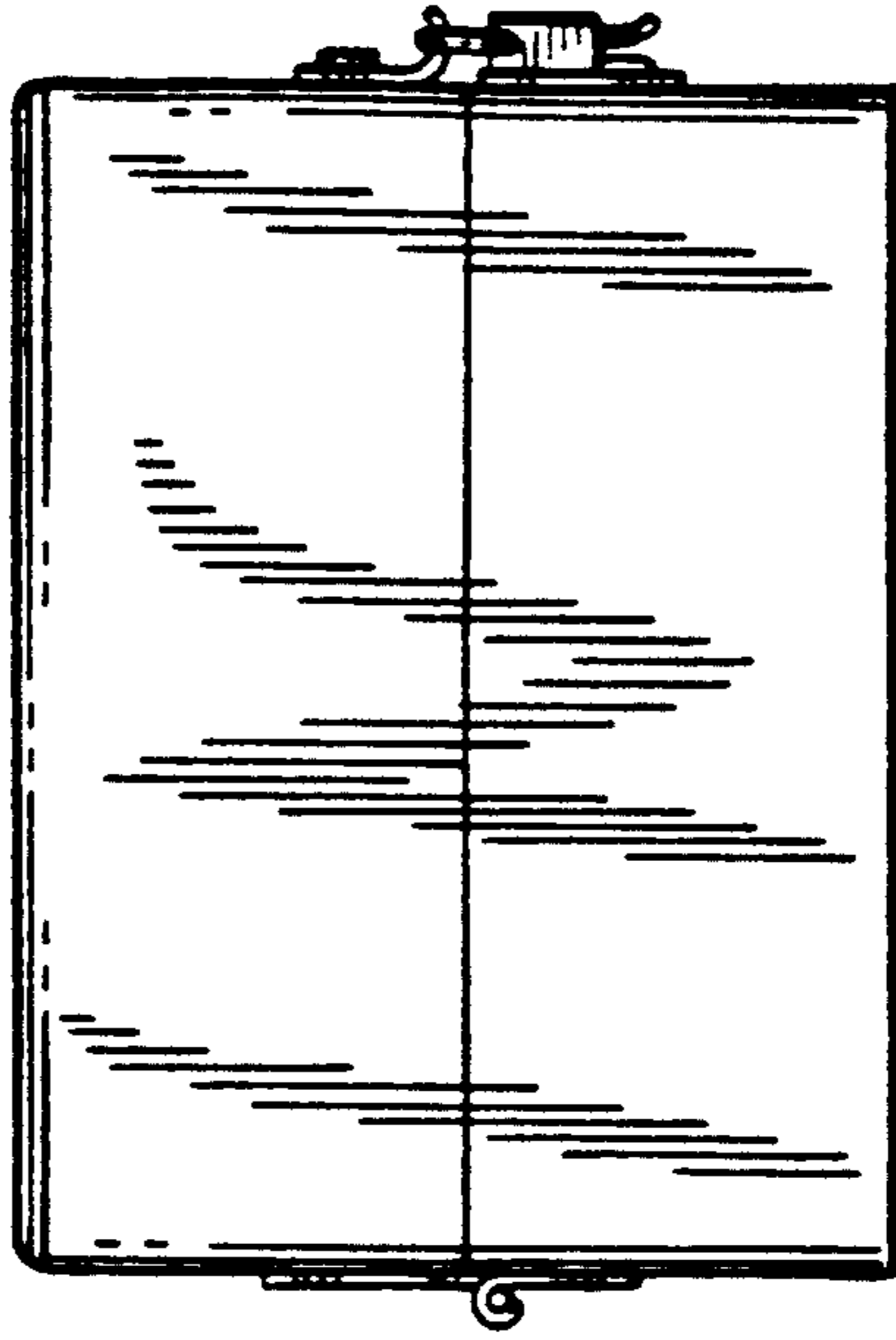


FIG. 4

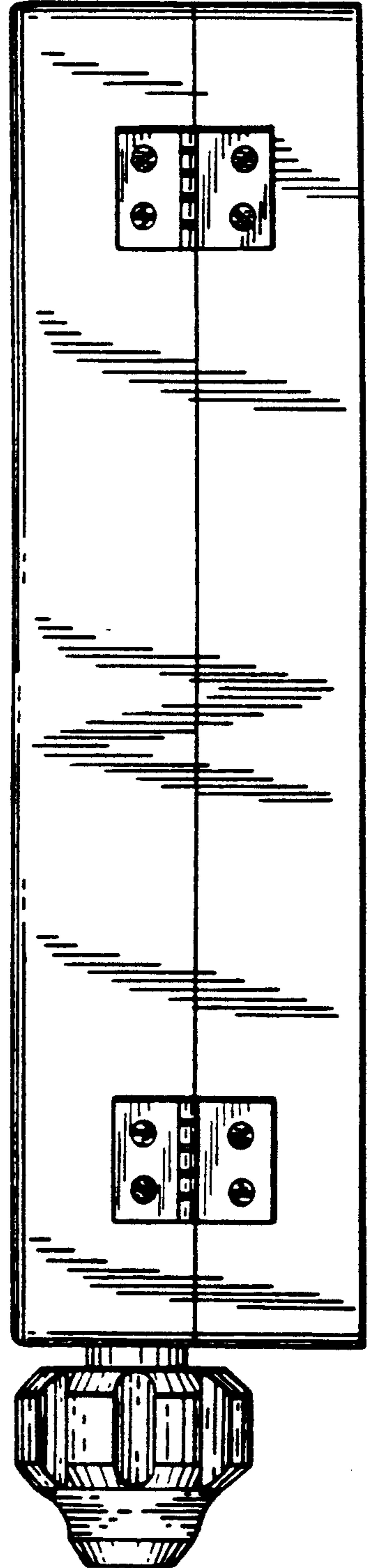
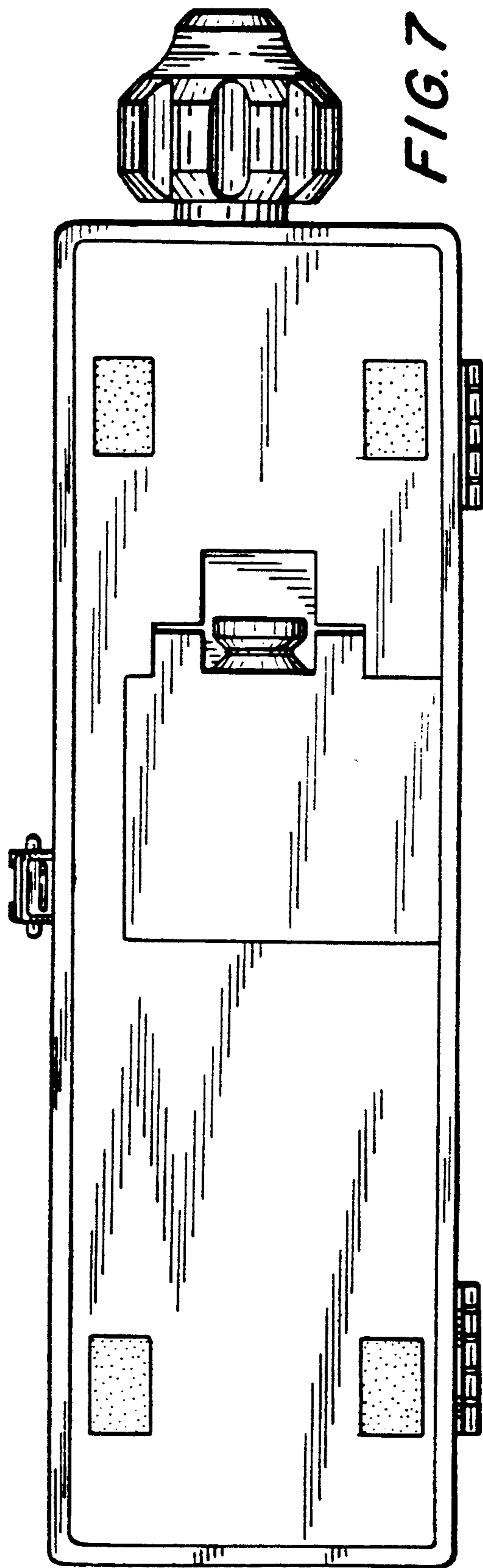
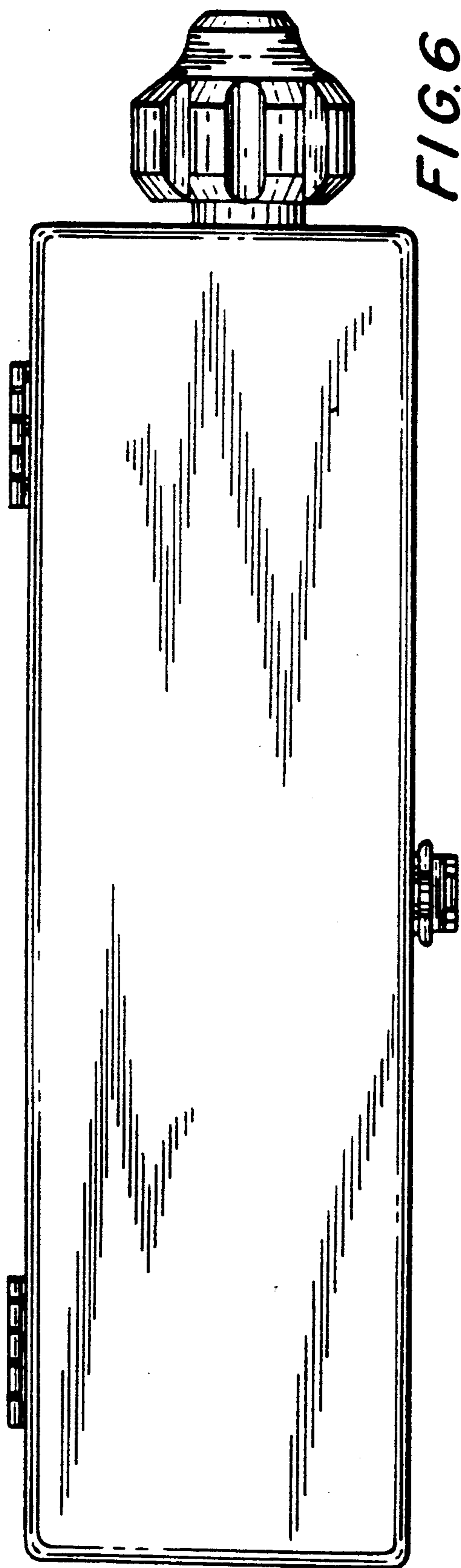


FIG. 5



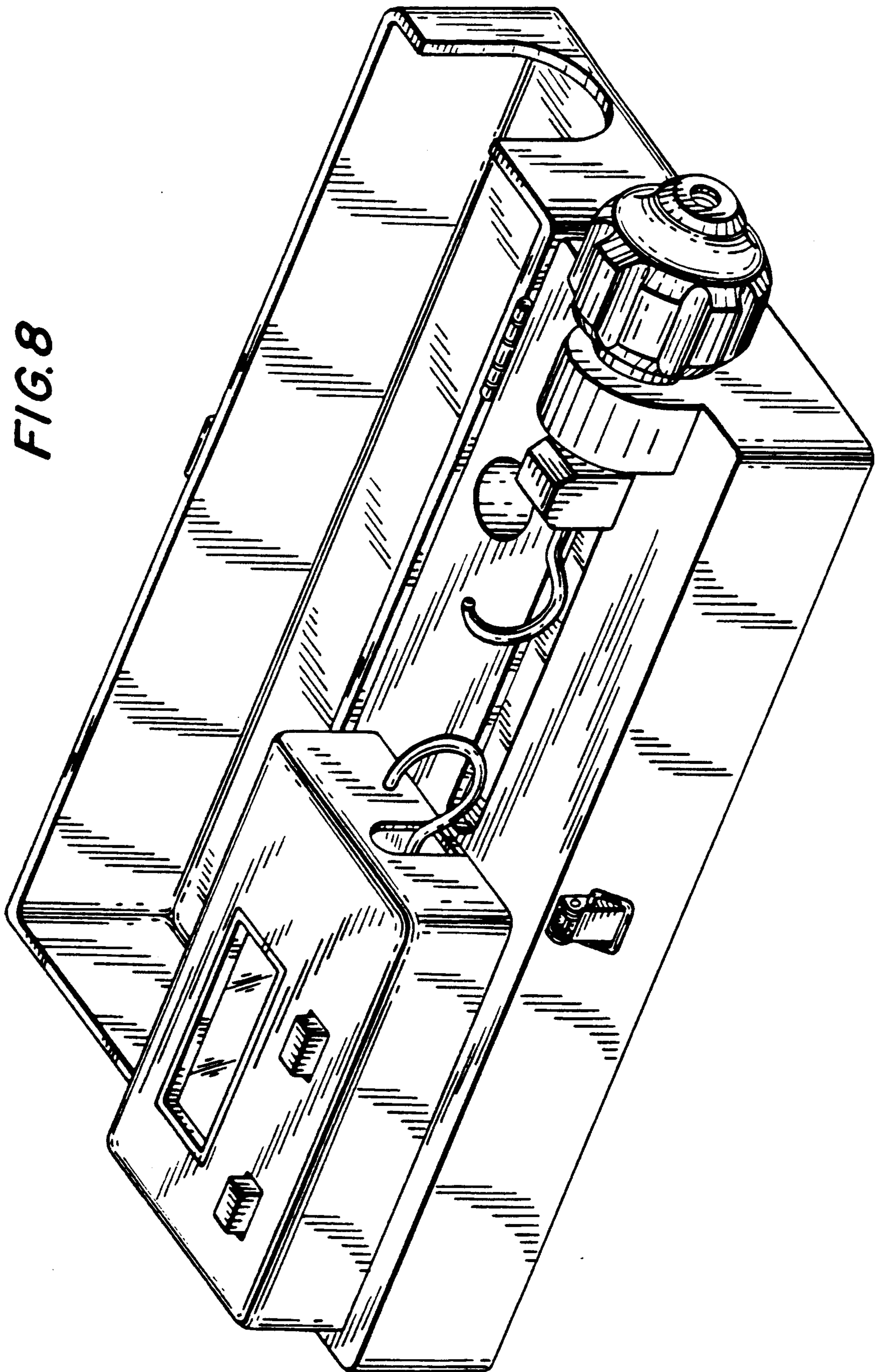


FIG. 9

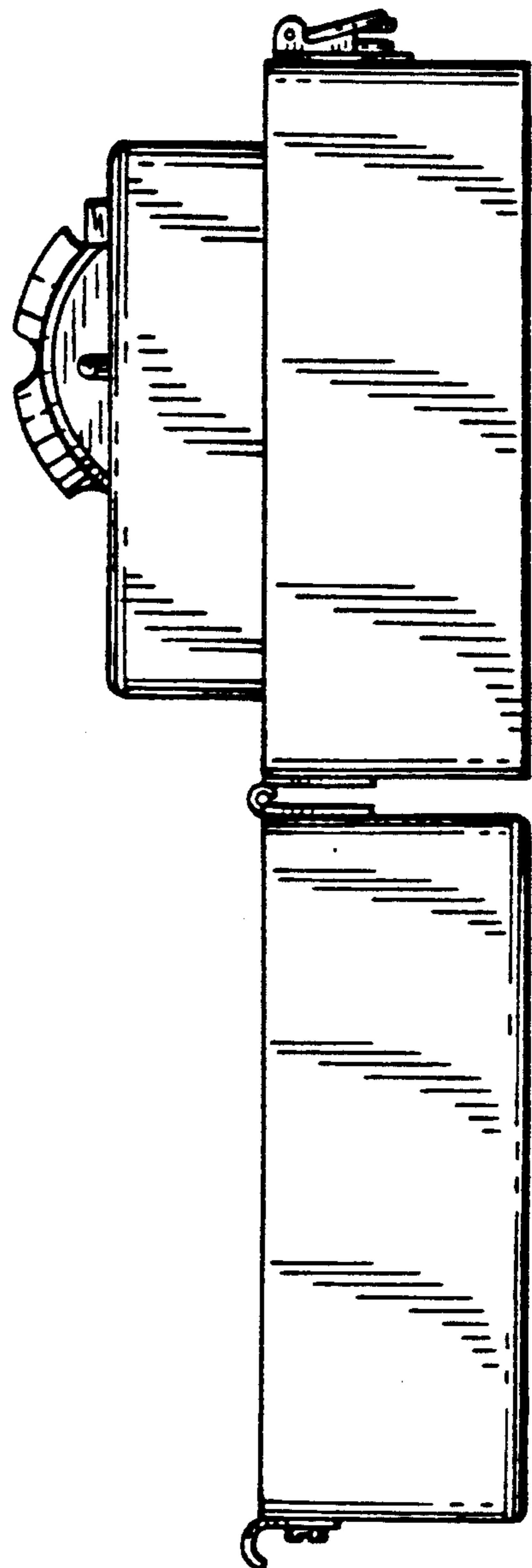
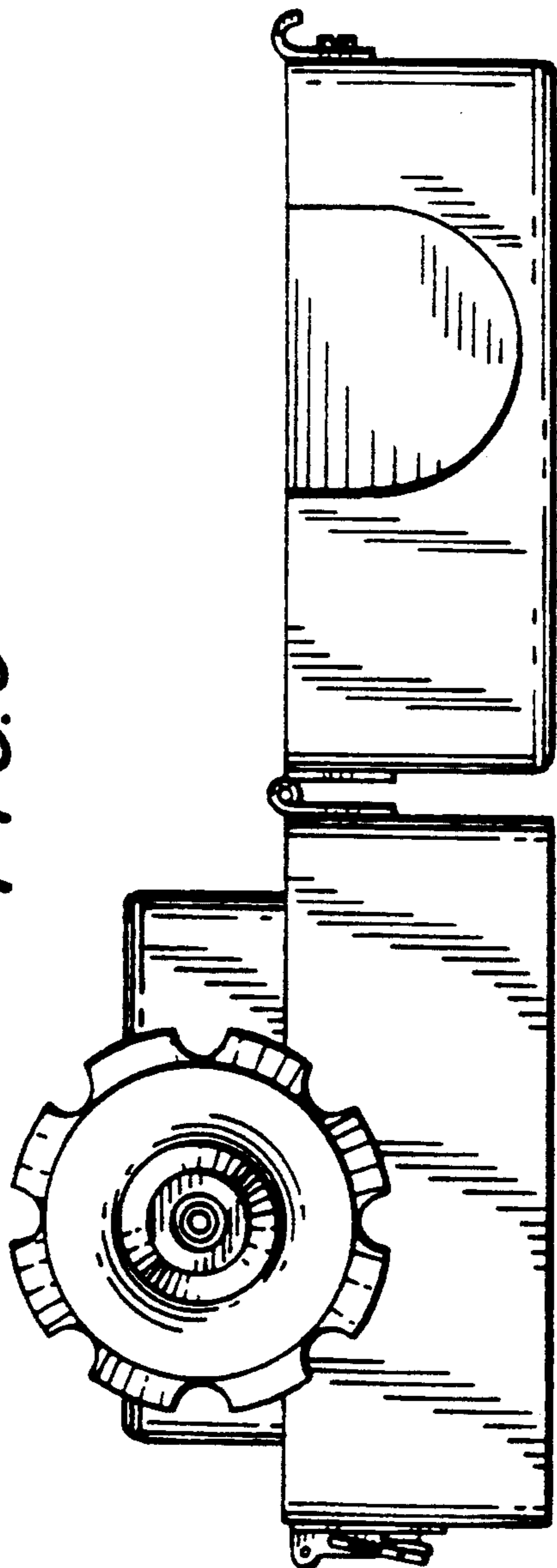


FIG. 10

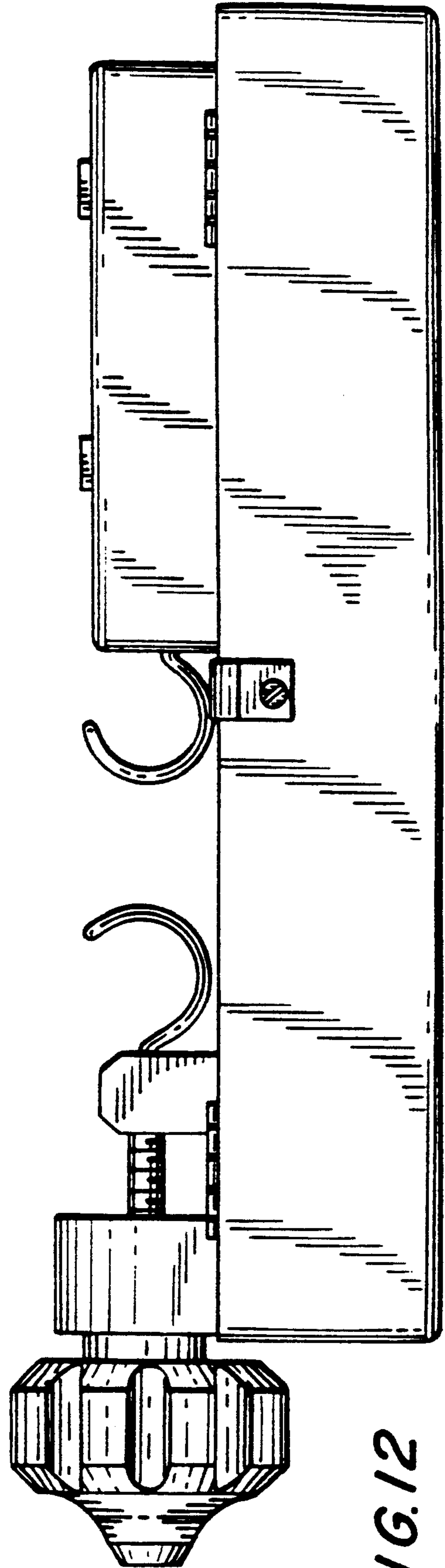
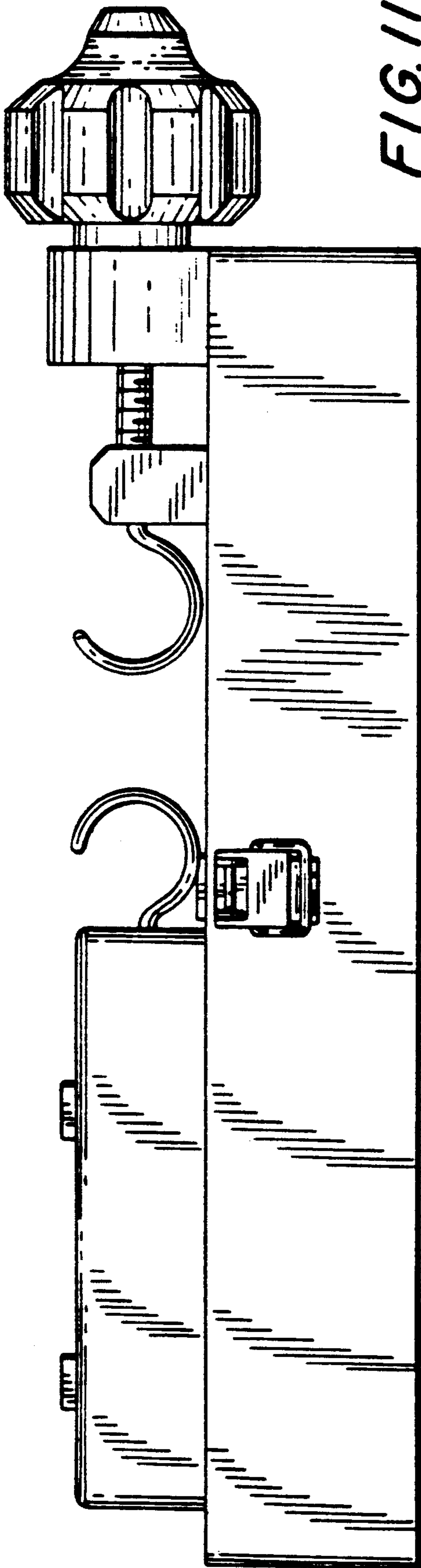


FIG. 13

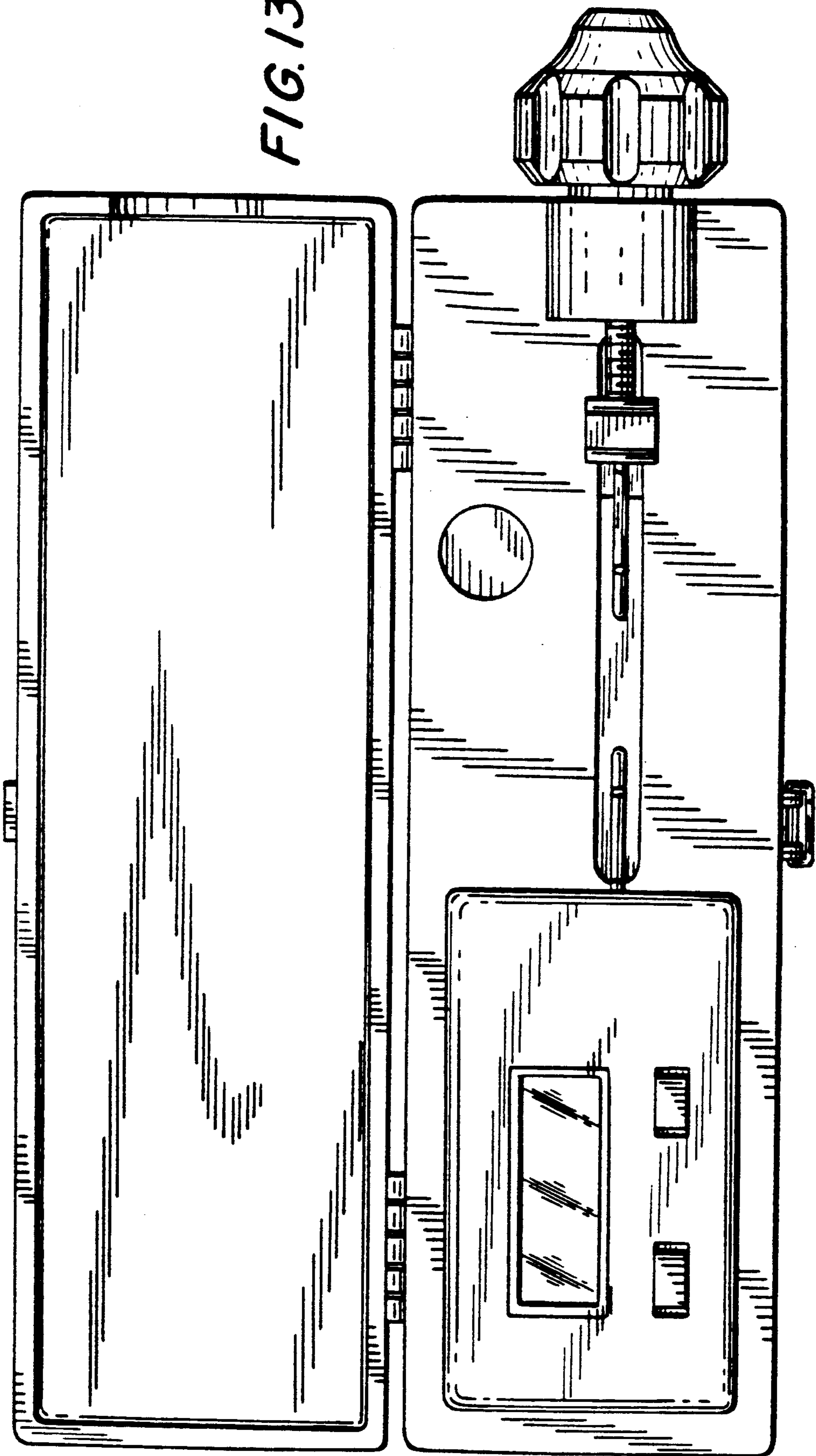


FIG. 14



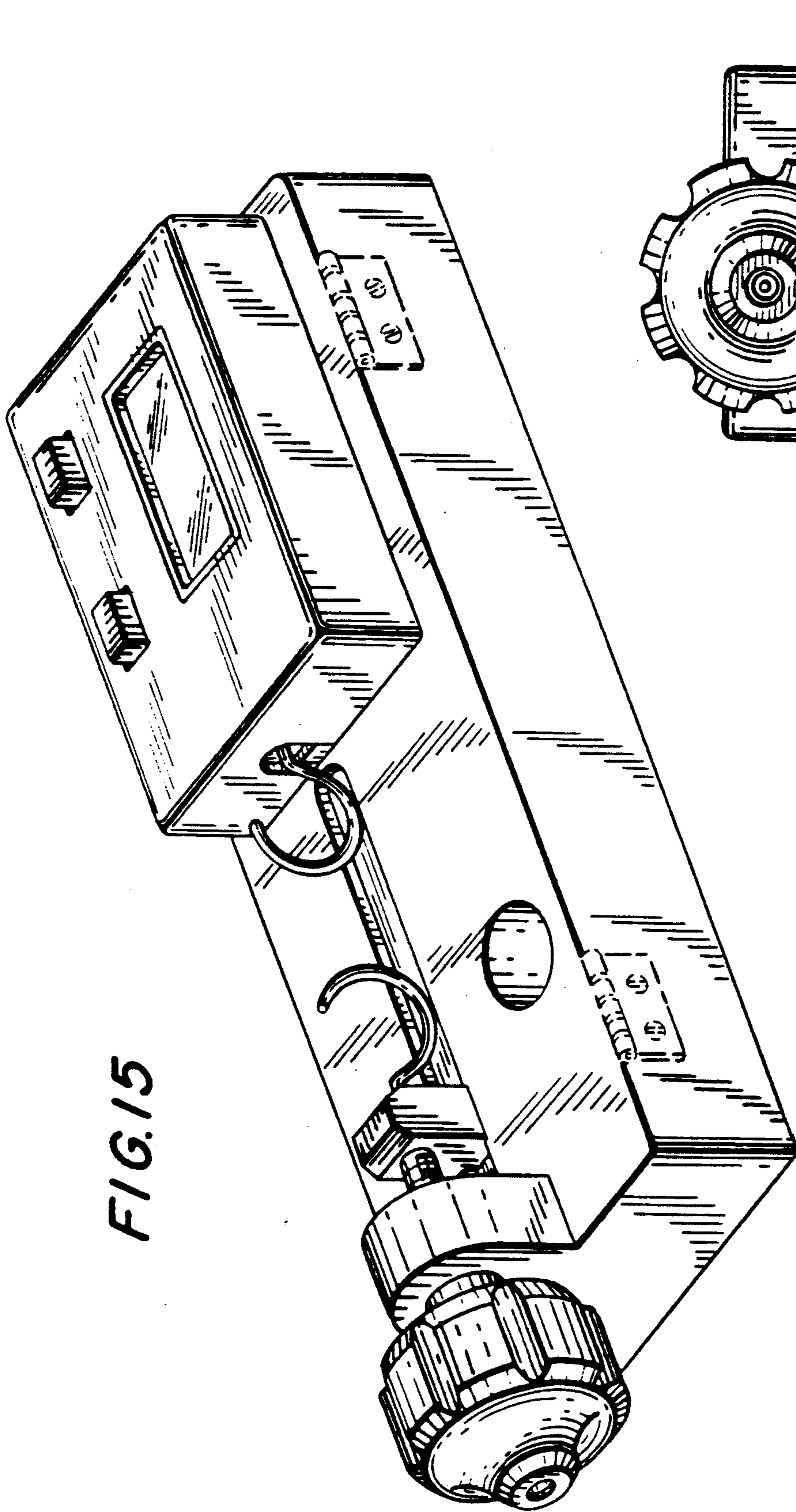


FIG. 15

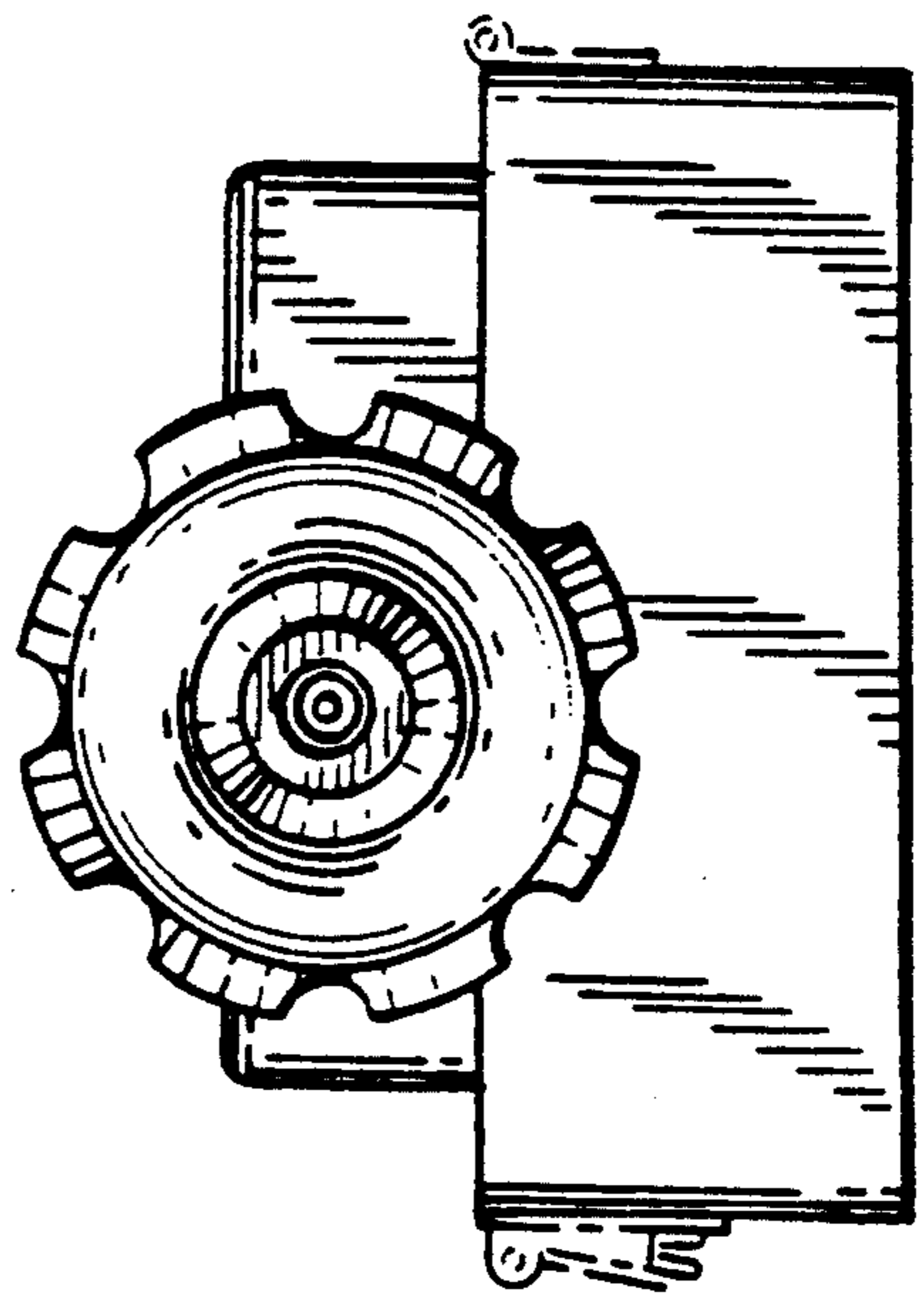
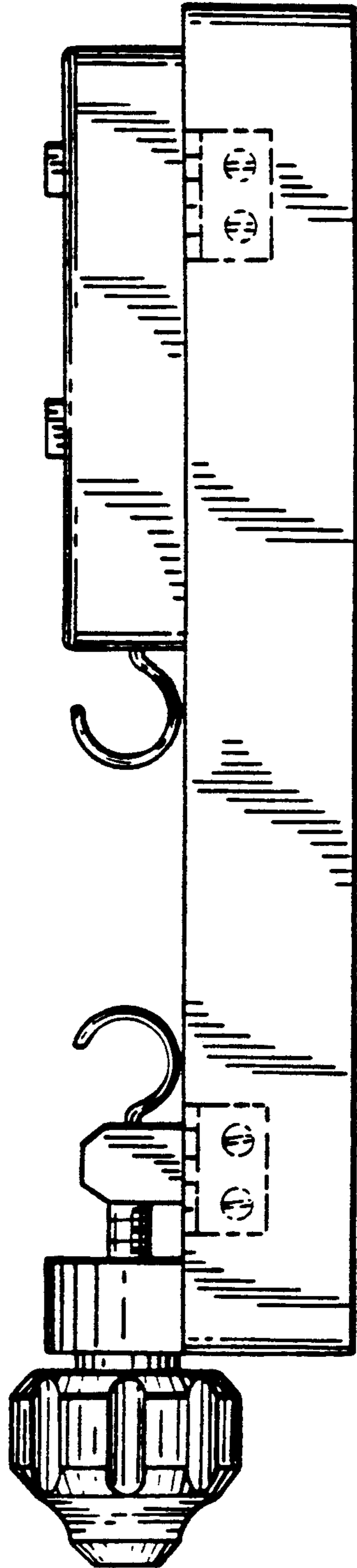
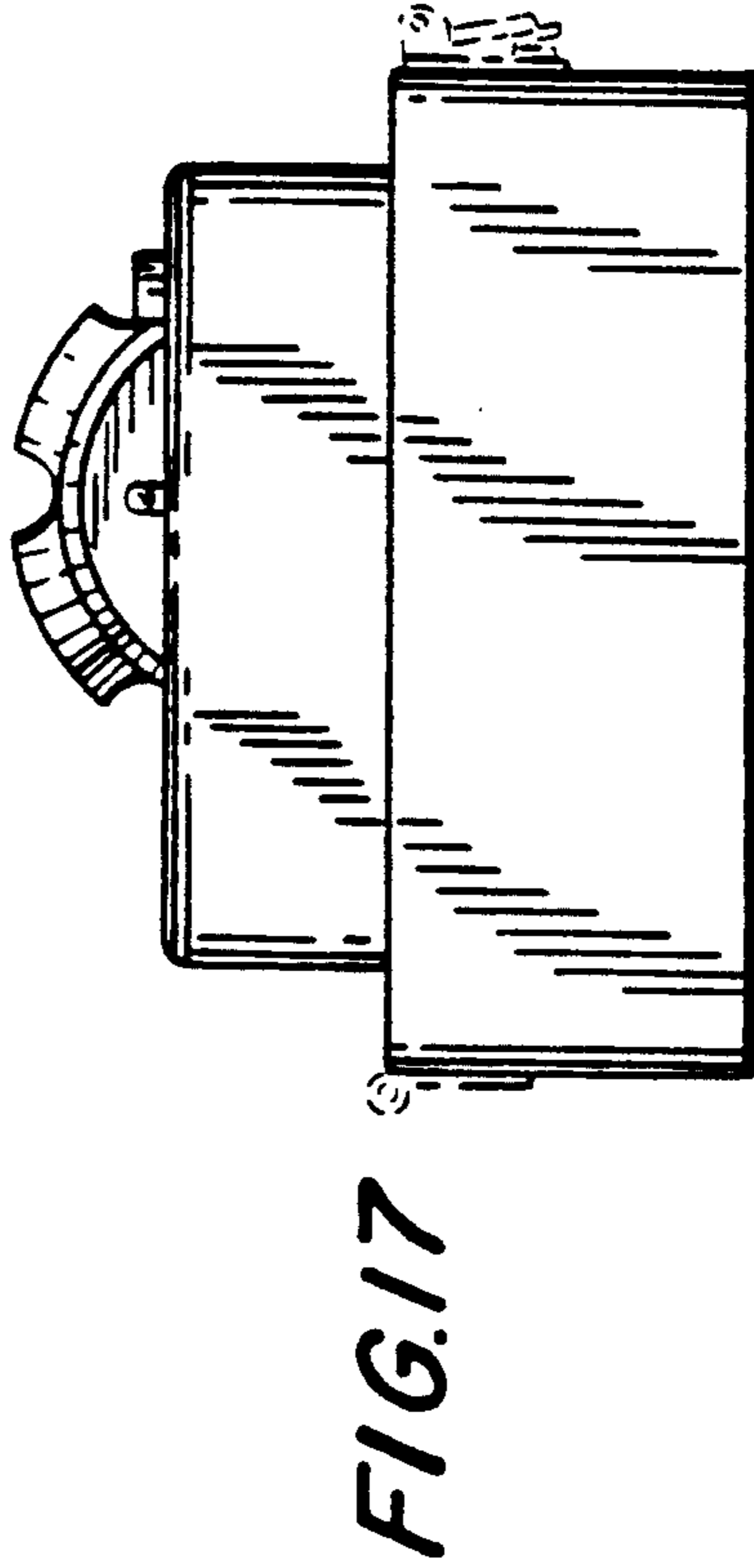
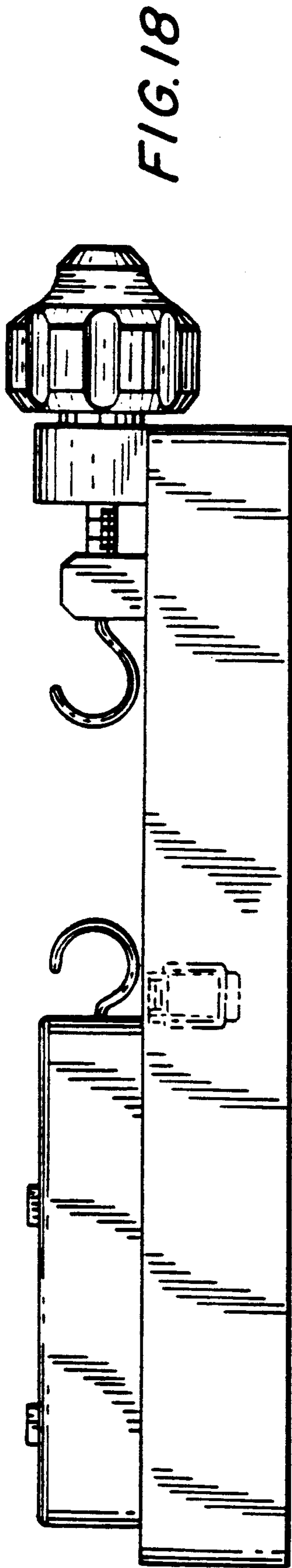


FIG. 16



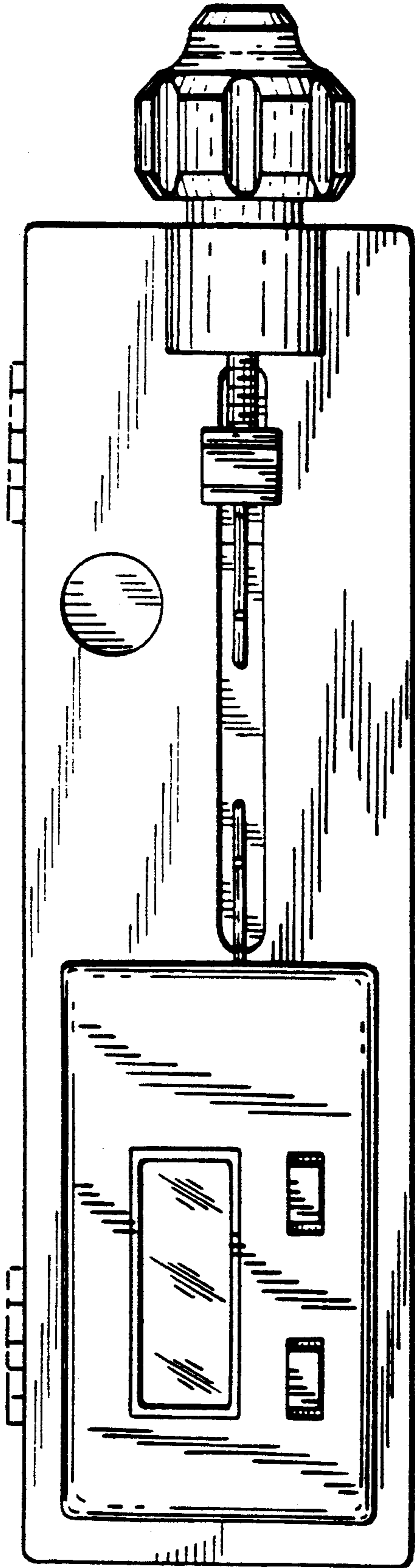


FIG. 20

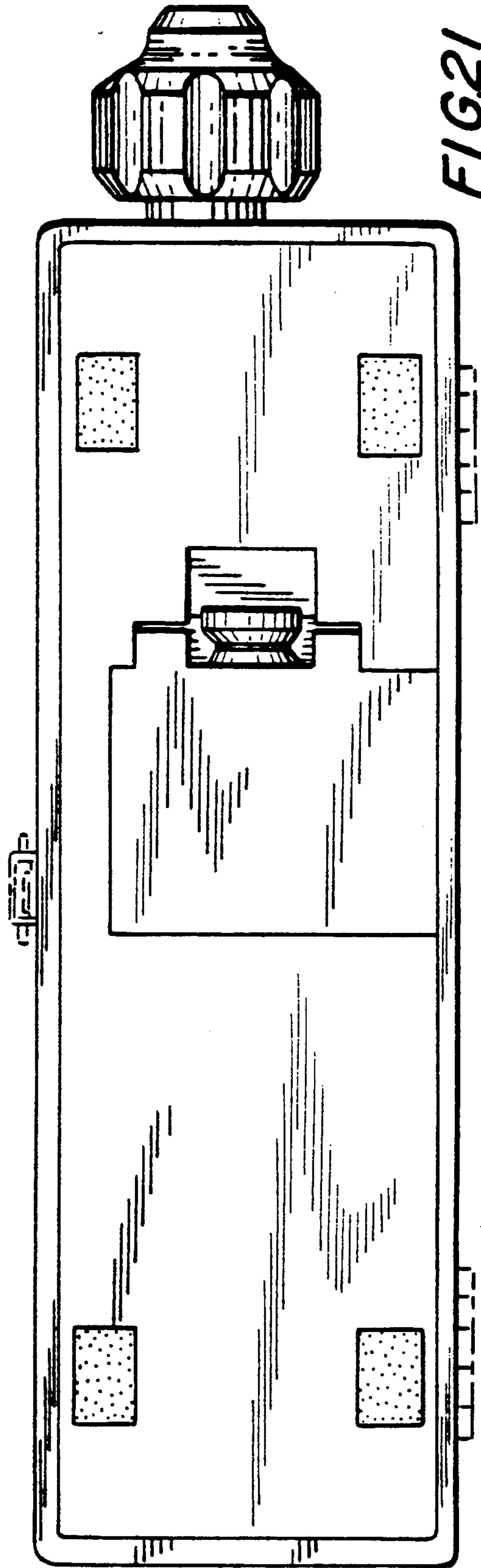


FIG. 21