



US00D341328S

United States Patent [19]

[11] Patent Number: Des. 341,328

Wantiez

[45] Date of Patent: ** Nov. 16, 1993

[54] DIGITAL TAPE MEASURE

[76] Inventor: Jimmy Wantiez, 1420 E. 7th St., Okmulgee, Okla. 74447

[**] Term: 14 Years

[21] Appl. No.: 715,220

[22] Filed: Jun. 14, 1991

[52] U.S. Cl. D10/72

[58] Field of Search D10/70, 72; 33/755-770

[56] References Cited

U.S. PATENT DOCUMENTS

D. 277,834	3/1985	Reeves	D10/72
D. 295,504	5/1988	Yamamoto et al.	D10/72
D. 318,020	7/1991	Schwartz	D10/72
4,316,081	2/1982	Washizuka	33/762
4,611,402	9/1986	Yamamoto	33/762
4,658,134	4/1987	Okumura	33/762

FOREIGN PATENT DOCUMENTS

719410 3/1932 France .

Primary Examiner—Alan P. Douglas

Assistant Examiner—A. D. Davis

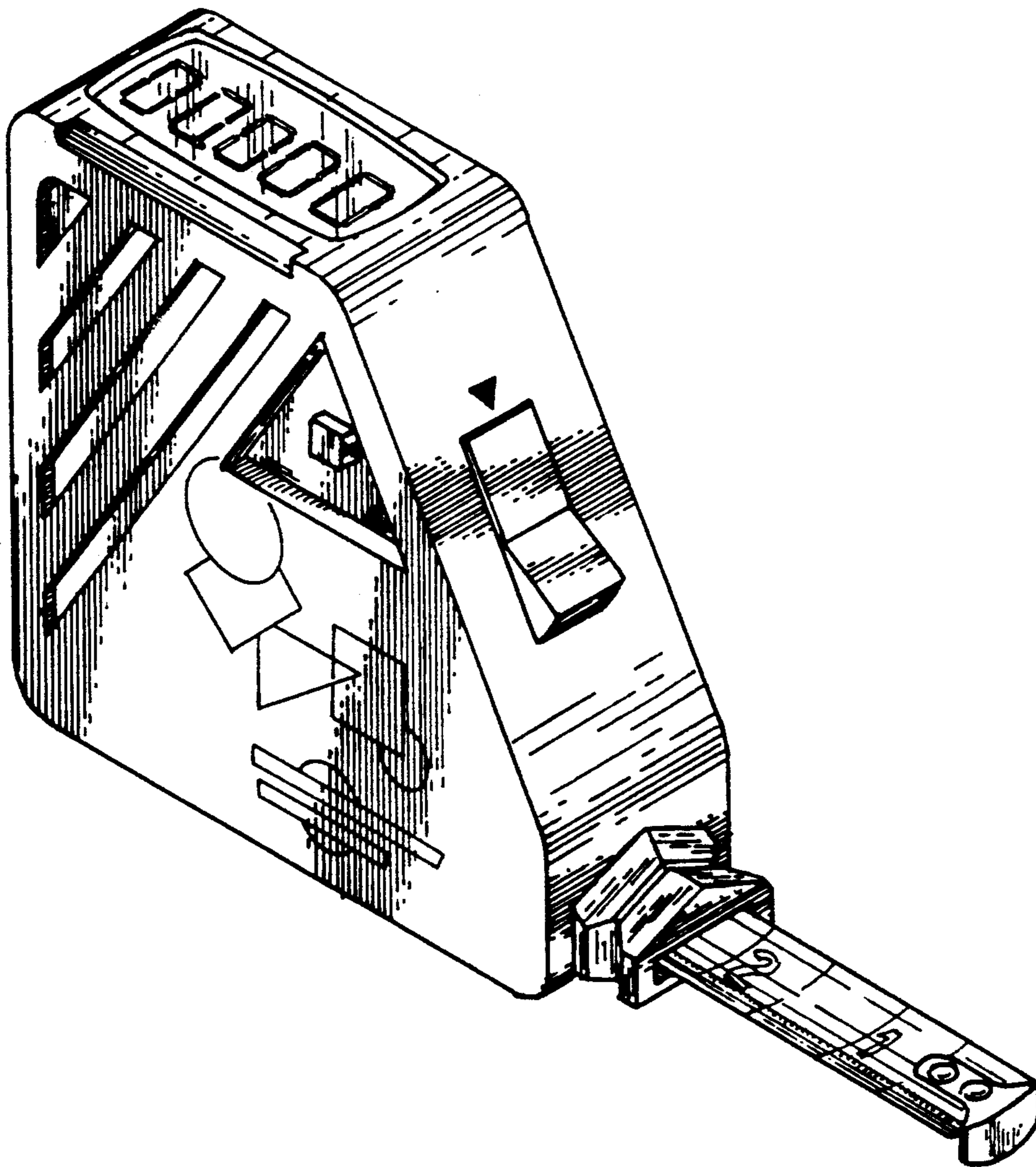
Attorney, Agent, or Firm—Terry M. Gernstein

[57] CLAIM

The ornamental design for a digital tape measure, as shown and described.

DESCRIPTION

FIG. 1 is a perspective view of the digital tape measure embodying the design of the present invention; FIG. 2 is a front elevational view thereof; FIG. 3 is a rear elevational view thereof; FIG. 4 is a side elevational view thereof; FIG. 5 is a side elevational view thereof with the tape extended; FIG. 6 is a top plan view thereof; and, FIG. 7 is a bottom view thereof.



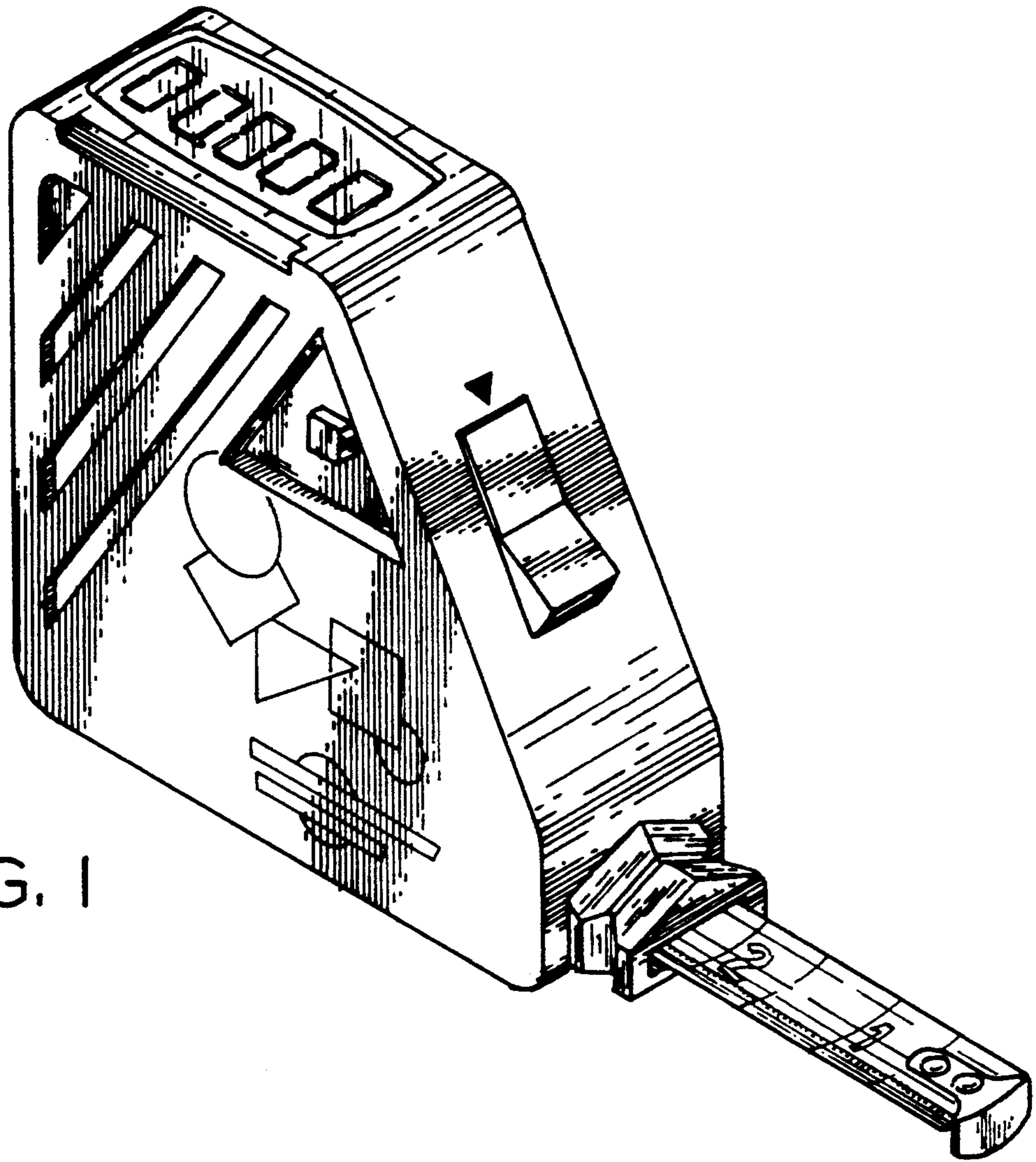


FIG. 1

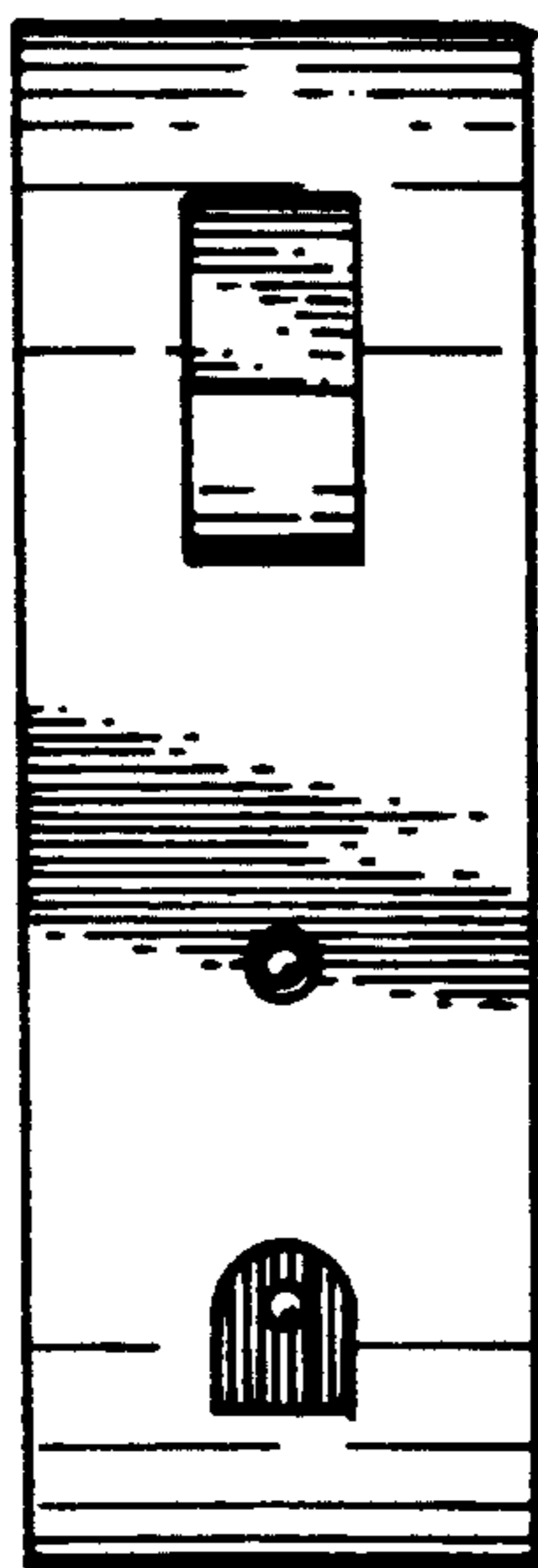


FIG. 3

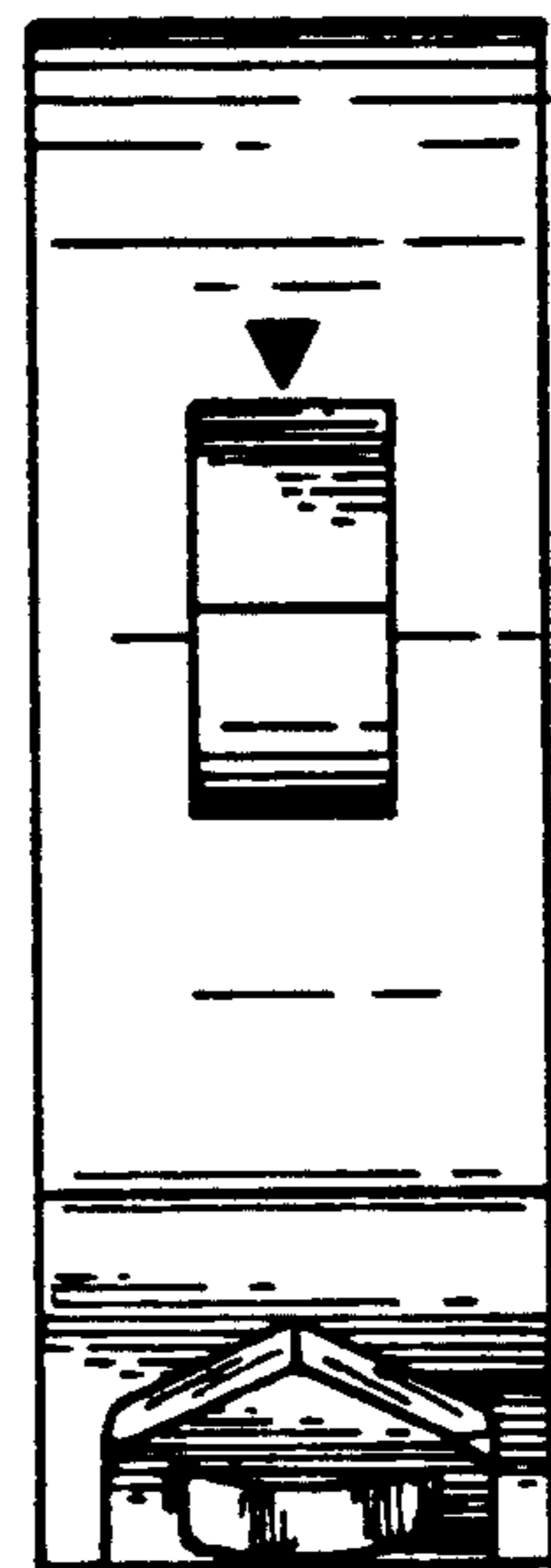


FIG. 2

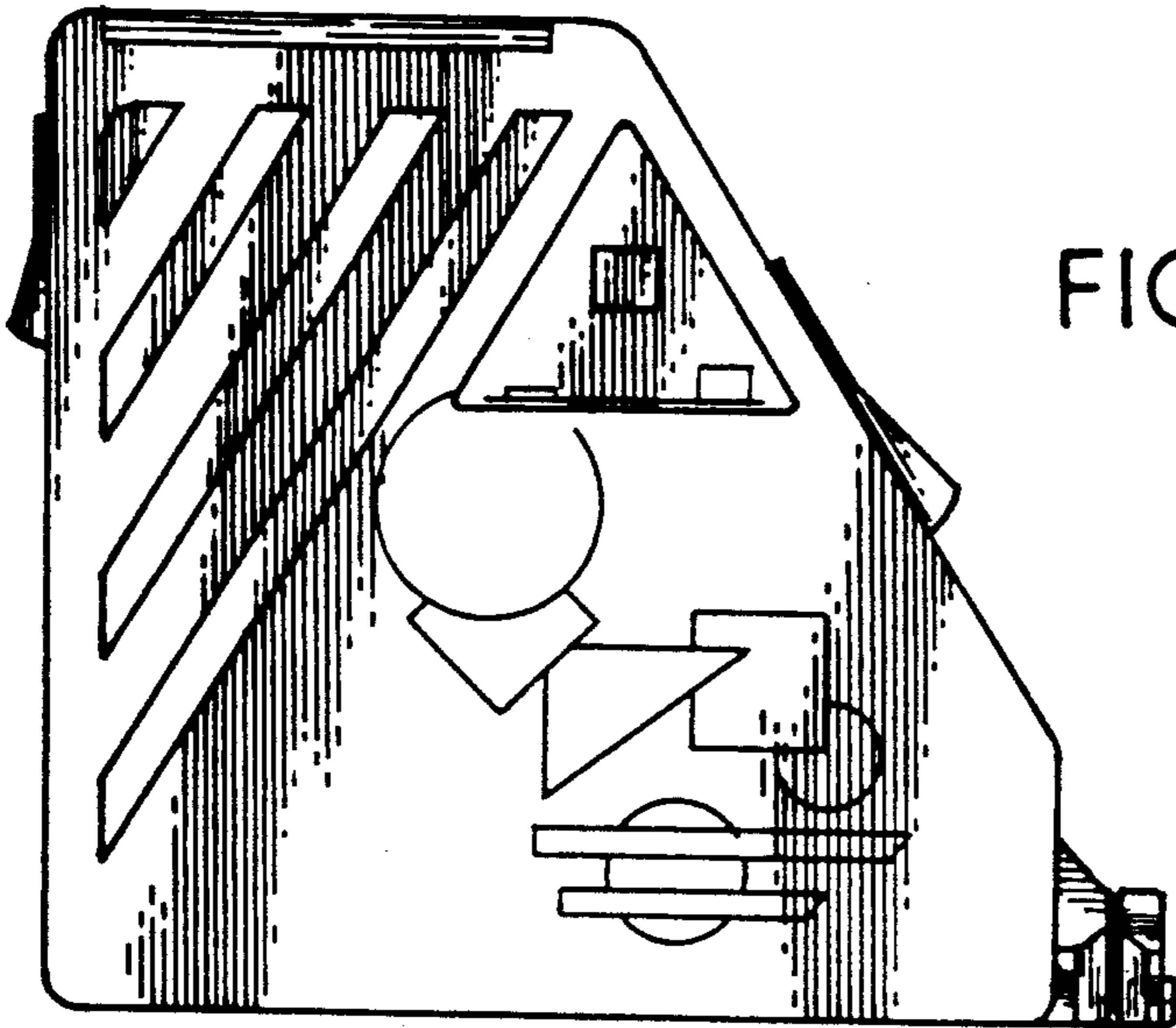


FIG. 4

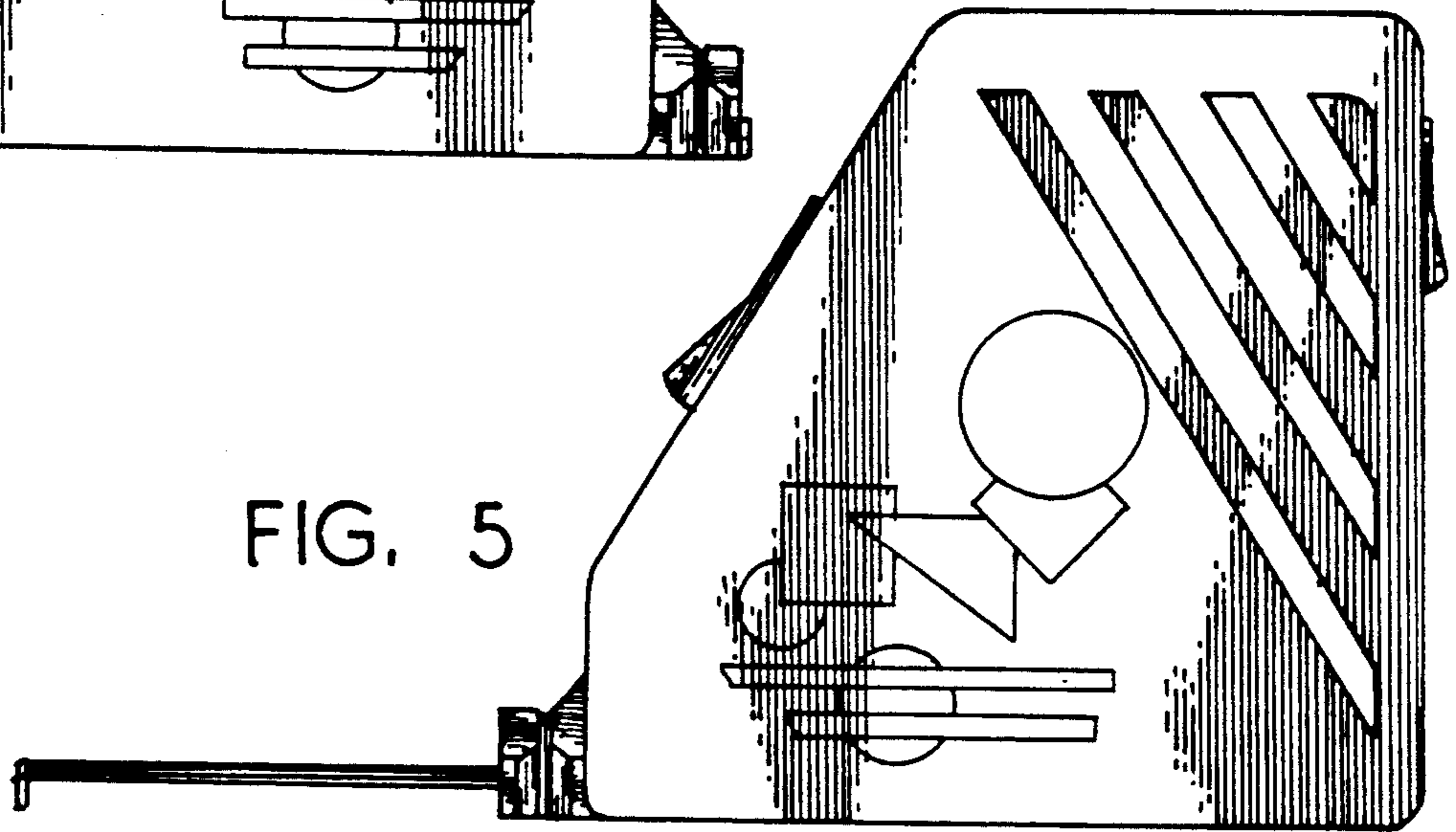


FIG. 5

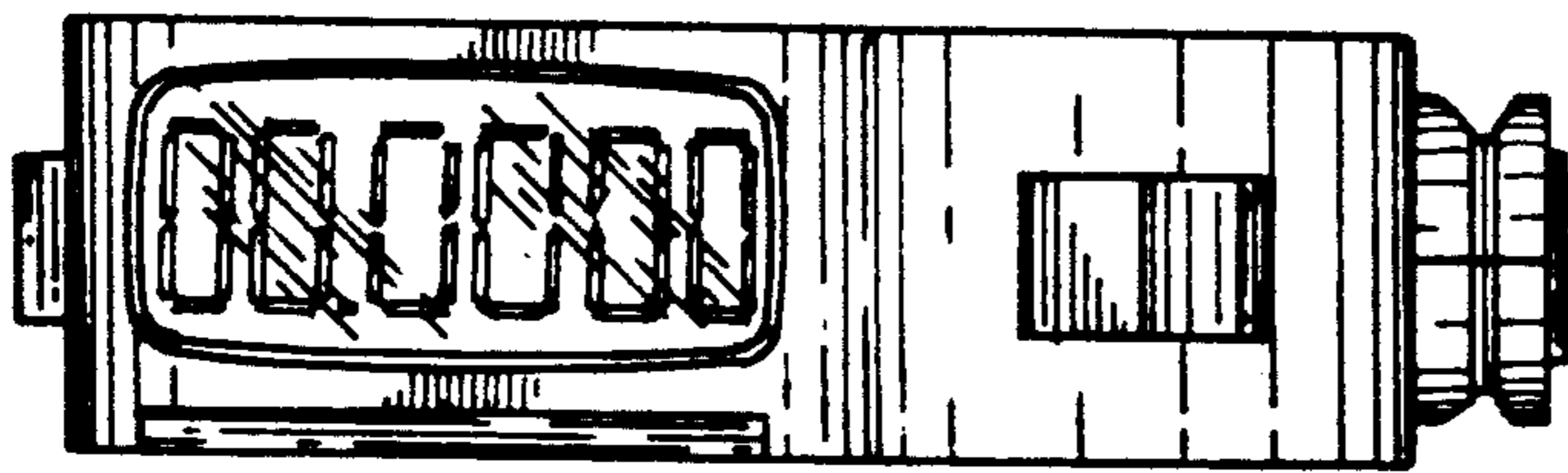


FIG. 6

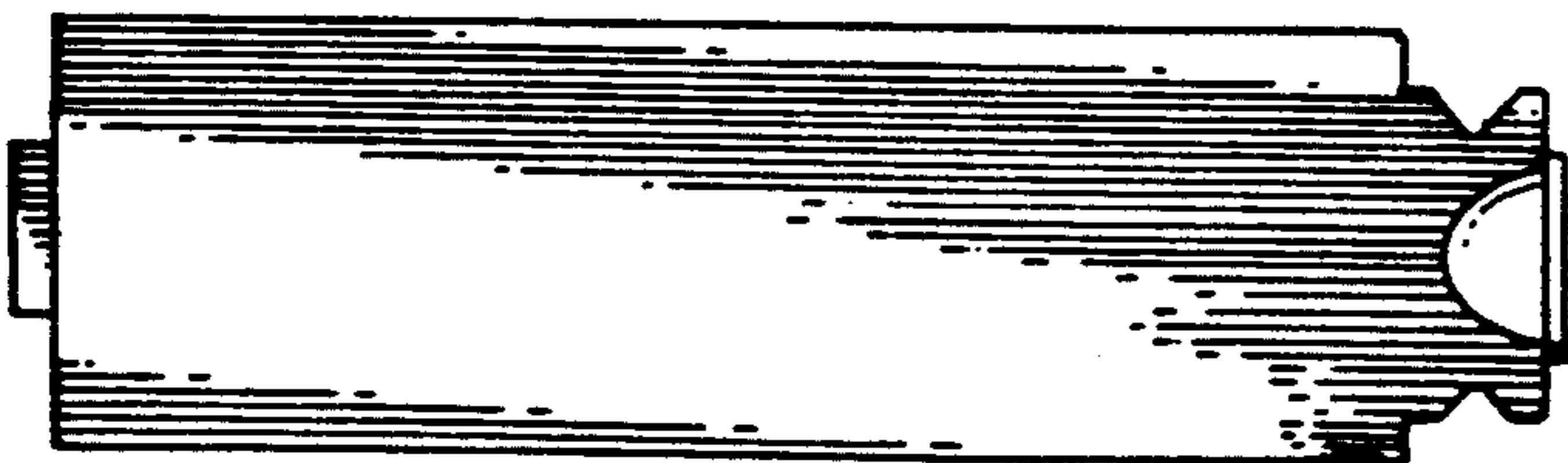


FIG. 7