



US00D341326S

# United States Patent [19]

[11] Patent Number: **Des. 341,326**

Rousseau

[45] Date of Patent: **\*\* Nov. 16, 1993**

## [54] WRIST WATCH

[75] Inventor: **Xavier Rousseau, Paris, France**

[73] Assignee: **Societe nouvelle Chaumet, S.A., Paris, France**

[\*\*] Term: **14 Years**

[21] Appl. No.: **692,034**

[22] Filed: **Apr. 25, 1991**

[52] U.S. Cl. .... **D10/30; D10/39**

[58] Field of Search ..... **D10/30-39, D10/122-126, 128, 129; 368/276-278, 280-282, 285, 318, 322, 323**

## [56] References Cited

### U.S. PATENT DOCUMENTS

- D. 287,472 12/1986 Hotz ..... D10/39
- D. 313,559 1/1991 McDonnell ..... D10/30 X
- D. 325,531 4/1992 Bulgari ..... D10/39
- D. 325,532 4/1992 Bulgari ..... D10/39
- D. 325,879 5/1992 Bulgari ..... D10/39

## OTHER PUBLICATIONS

European Jeweler, Sep. 1986, p. 127, see circled Watch, lower center.

*Primary Examiner*—Nelson C. Holtje

*Assistant Examiner*—Martie Thompson

*Attorney, Agent, or Firm*—Mason, Fenwick & Lawrence

## [57] CLAIM

The ornamental design for a wrist watch, as shown and described.

## DESCRIPTION

FIG. 1 is a front elevational view of a wrist watch showing my new design;

FIG. 2 is a right side elevational view;

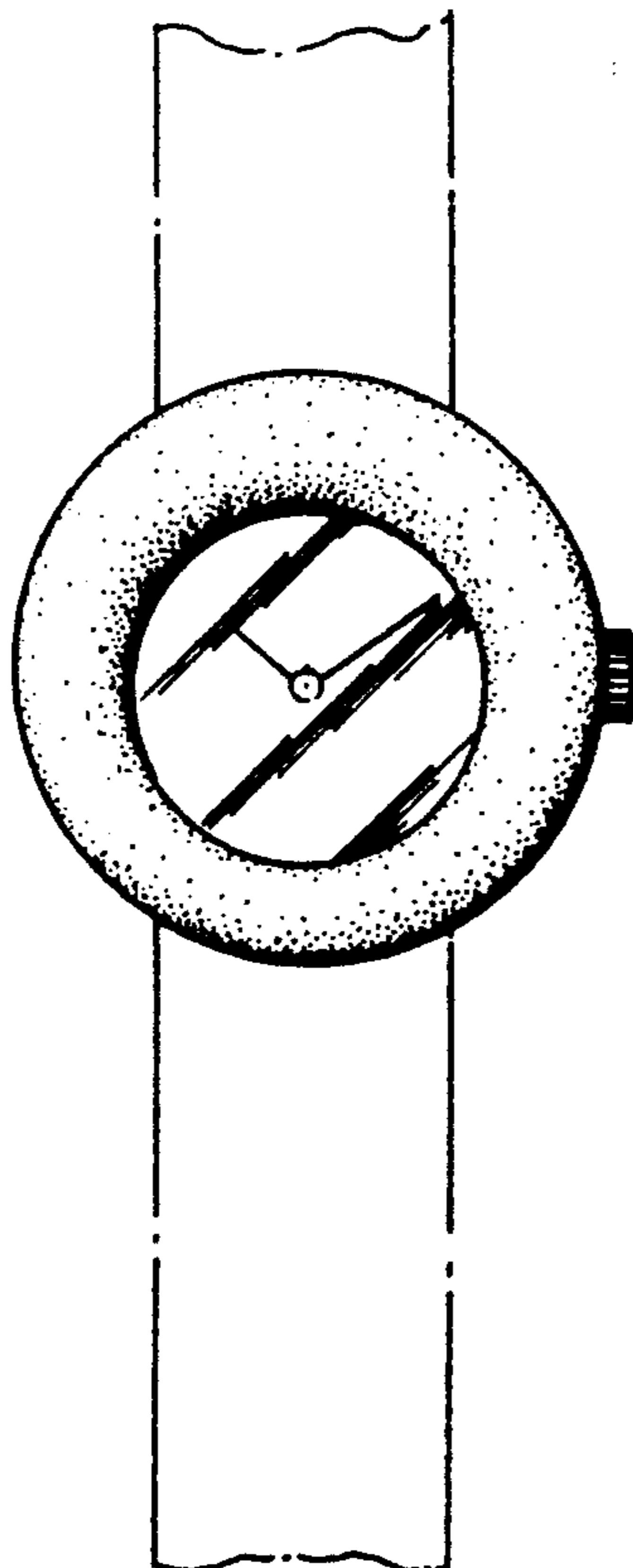
FIG. 3 is a rear elevational view;

FIG. 4 is a top plan view;

FIG. 5 is a bottom plan view; and,

FIG. 6 is a left side elevational view thereof.

The band portions depicted by means of broken lines in FIGS. 1, 2, 3 and 6 have been shown for illustrative purposes only and form no part of the claimed design.



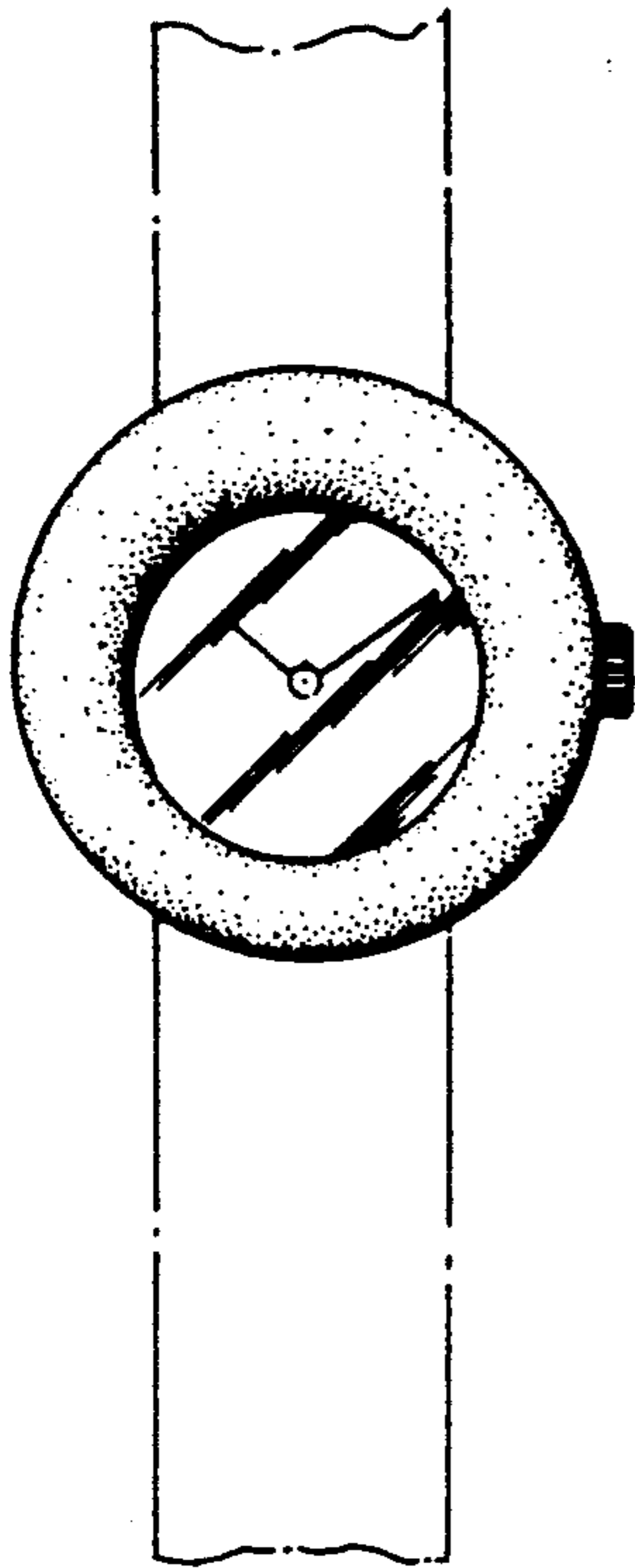


FIG. 1



FIG. 2

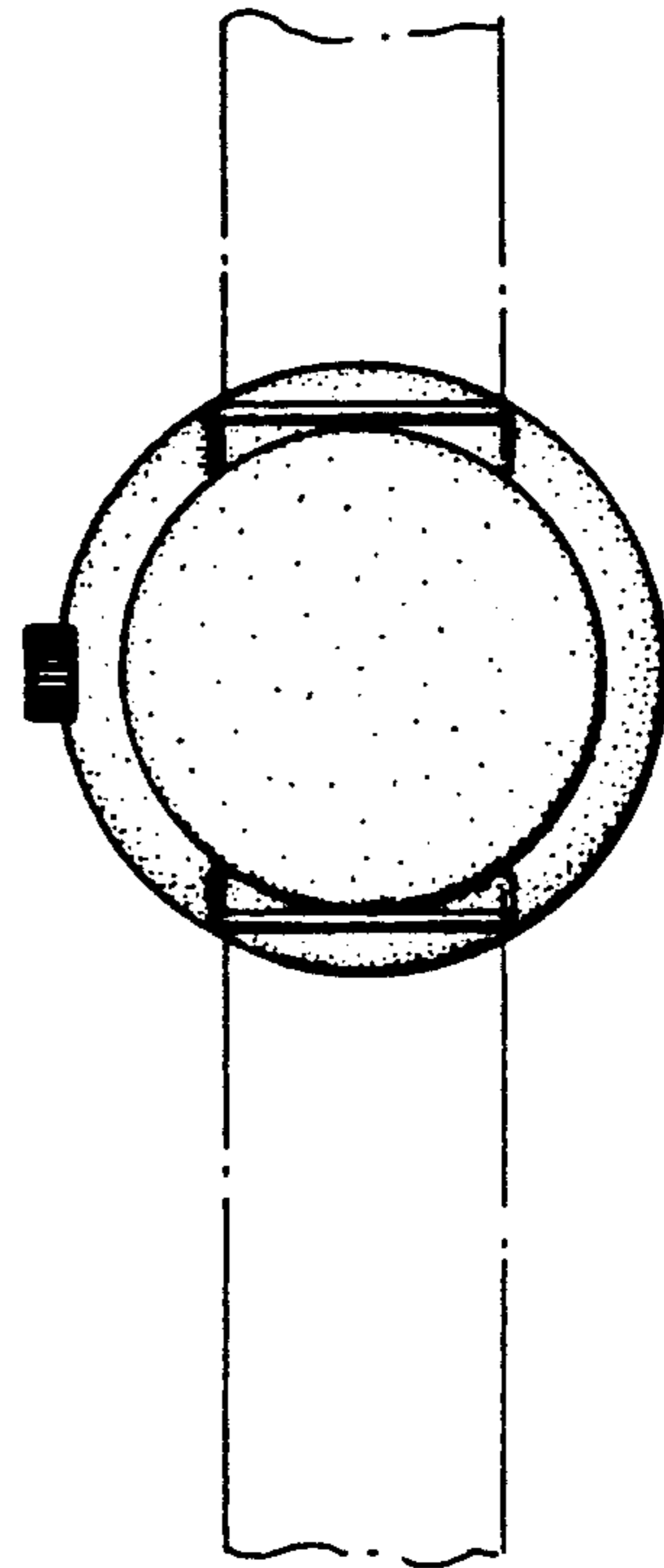


FIG. 3

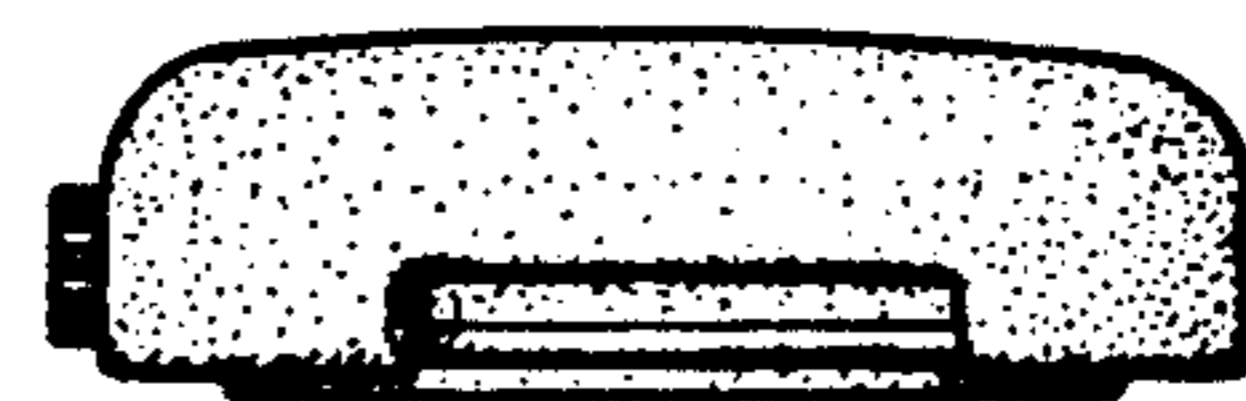


FIG. 4

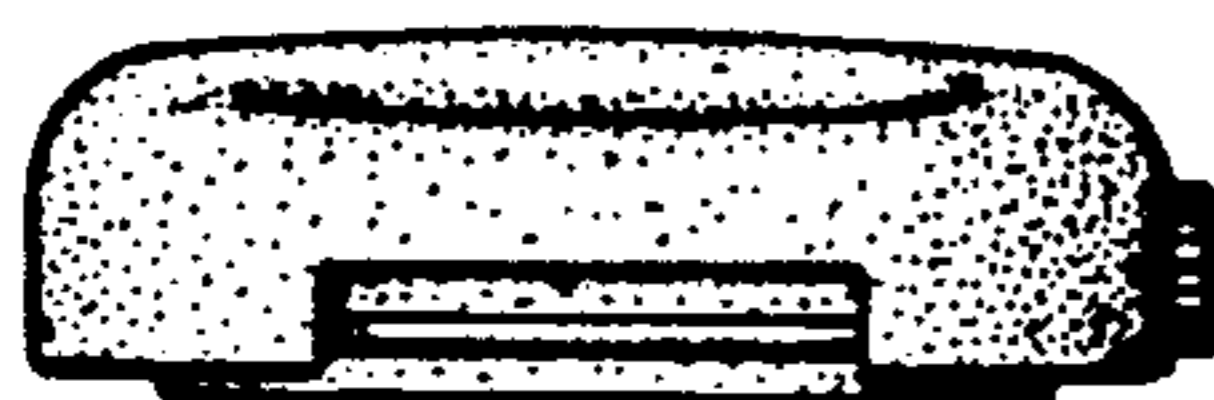


FIG. 5



FIG. 6