



US00D341319S

# United States Patent [19]

[11] Patent Number: **Des. 341,319**

Morin

[45] Date of Patent: **\*\* Nov. 16, 1993**

[54] COVER FOR A TOBACCO CONTAINER

[75] Inventor: **Stéphane Morin, Repentigny, Canada**

[73] Assignee: **Crealise Conditionnement Inc./Crealise Packaging Inc., Rawdon, Canada**

[\*\*] Term: **14 Years**

[21] Appl. No.: **729,816**

[22] Filed: **Jul. 15, 1991**

[52] U.S. Cl. .... **D9/454; D27/194**

[58] Field of Search ..... **D9/435, 452, 454, 505; D27/190, 191, 186-187, 194; 220/254, 369, 366**

[56] **References Cited**

**U.S. PATENT DOCUMENTS**

D. 140,632	3/1945	Lawson	.....	D27/191	X
D. 174,721	5/1955	Steinbrook	.....	D7/391	
D. 197,572	2/1964	Ziskin	.....	D27/190	X
D. 220,755	5/1971	Zundel	.....	D9/454	
D. 249,624	9/1978	Soloman	.....	D9/454	X
D. 272,507	2/1984	Conti	.....	D9/505	X

D. 276,684	12/1984	Sublett	.....	D27/191	X
D. 281,581	12/1985	Mac Ewen	.....	D9/435	
D. 322,760	12/1991	Blanchette	.....	D9/454	X
D. 323,116	1/1992	Dart et al.	.....	D9/454	X
2,335,766	11/1943	Kinlach	.....	206/403	

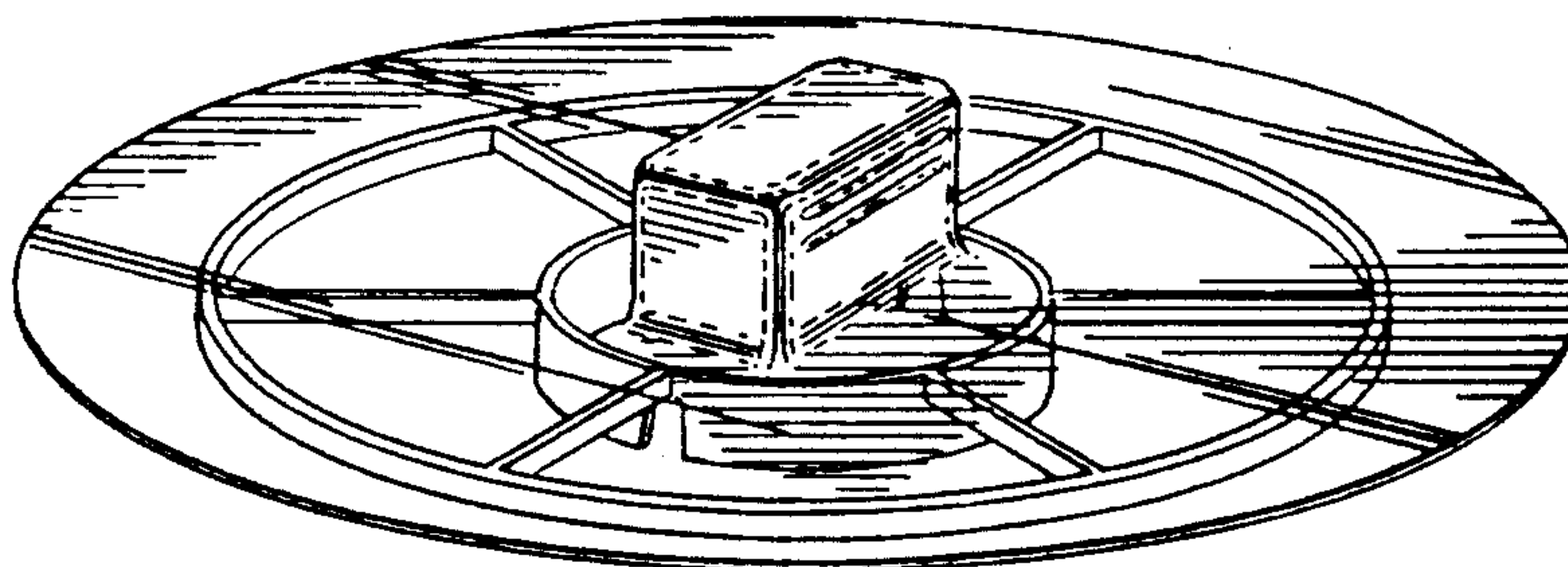
*Primary Examiner*—Wallace R. Burke  
*Assistant Examiner*—H. Baynham  
*Attorney, Agent, or Firm*—Foley & Lardner

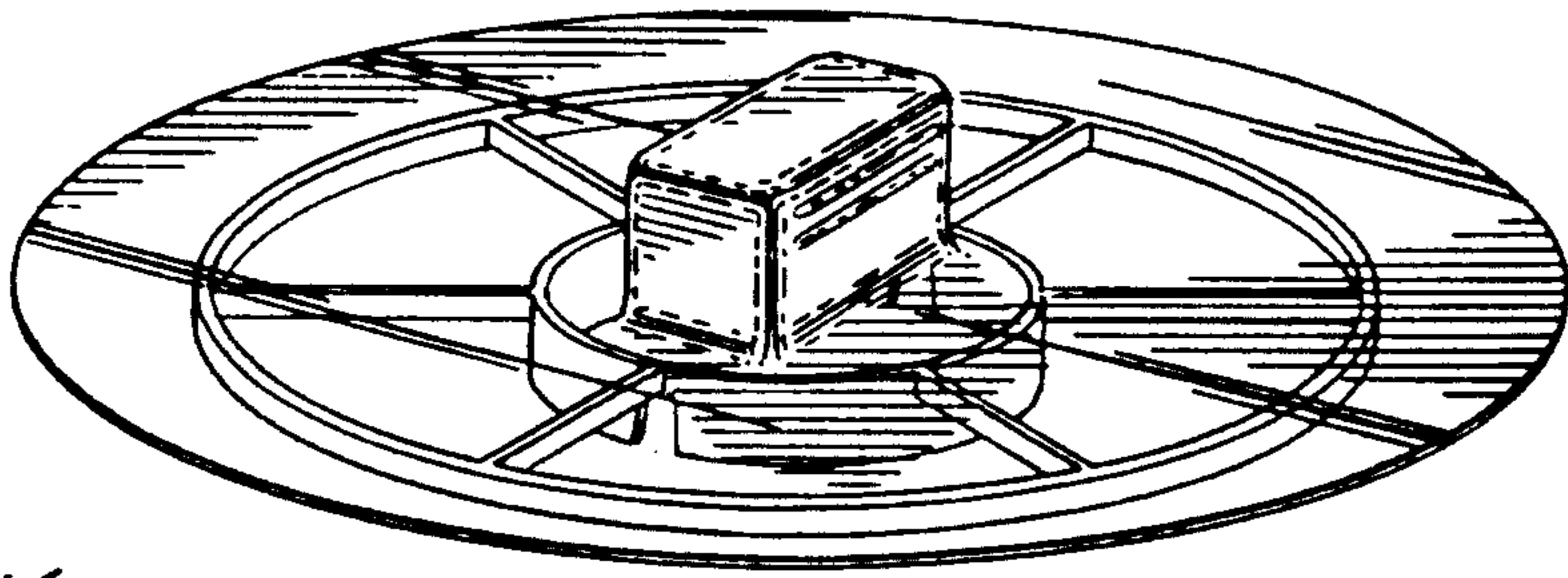
[57] **CLAIM**

The ornamental design for a cover for a tobacco container, as shown and described.

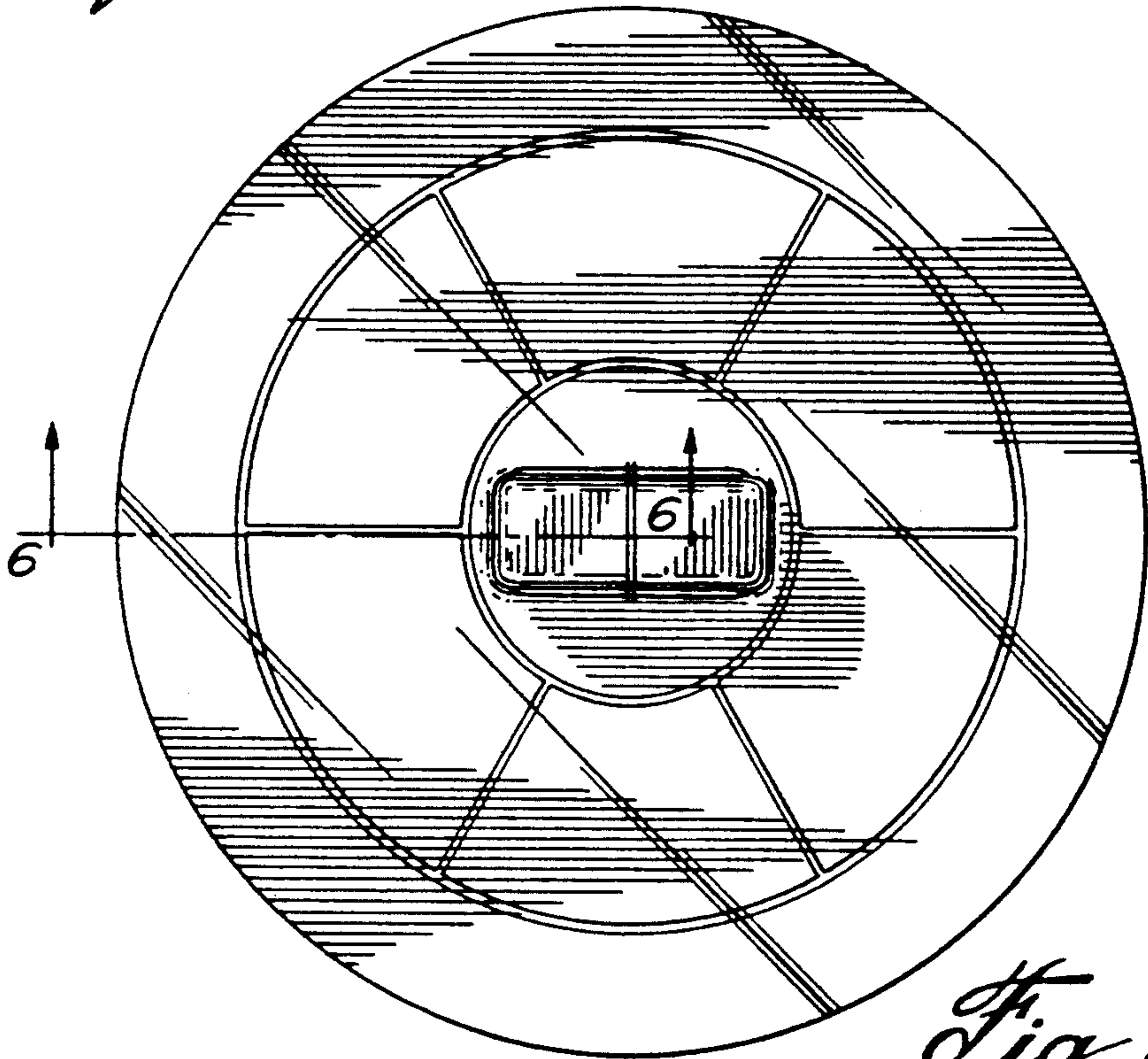
**DESCRIPTION**

FIG. 1 is a perspective view of a cover for a tobacco container showing my new design;  
FIG. 2 is a top view thereof;  
FIG. 3 is a side elevational view thereof with the opposite side being a mirror image;  
FIG. 4 is a front elevational view thereof with the rear view being a mirror image;  
FIG. 5 is a bottom view thereof; and,  
FIG. 6 is a fragmented sectional view taken along line 6—6 of FIG. 2.

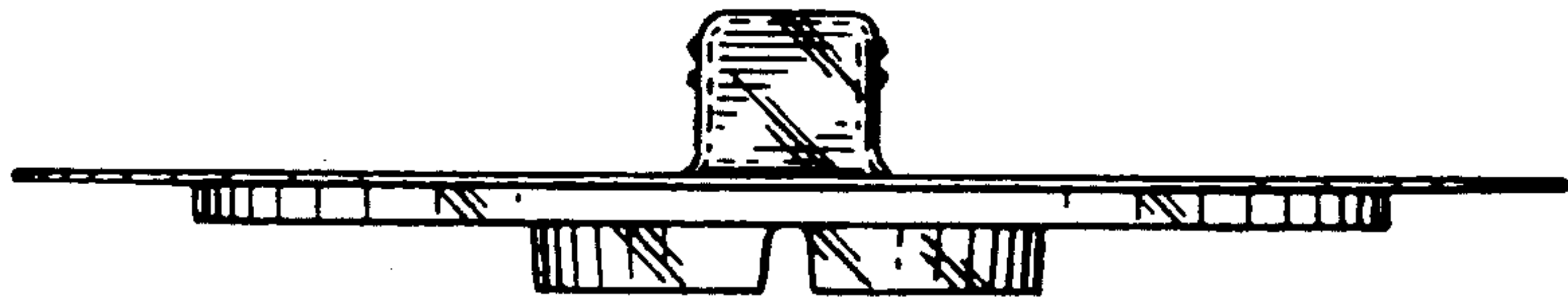




*Fig. 1*



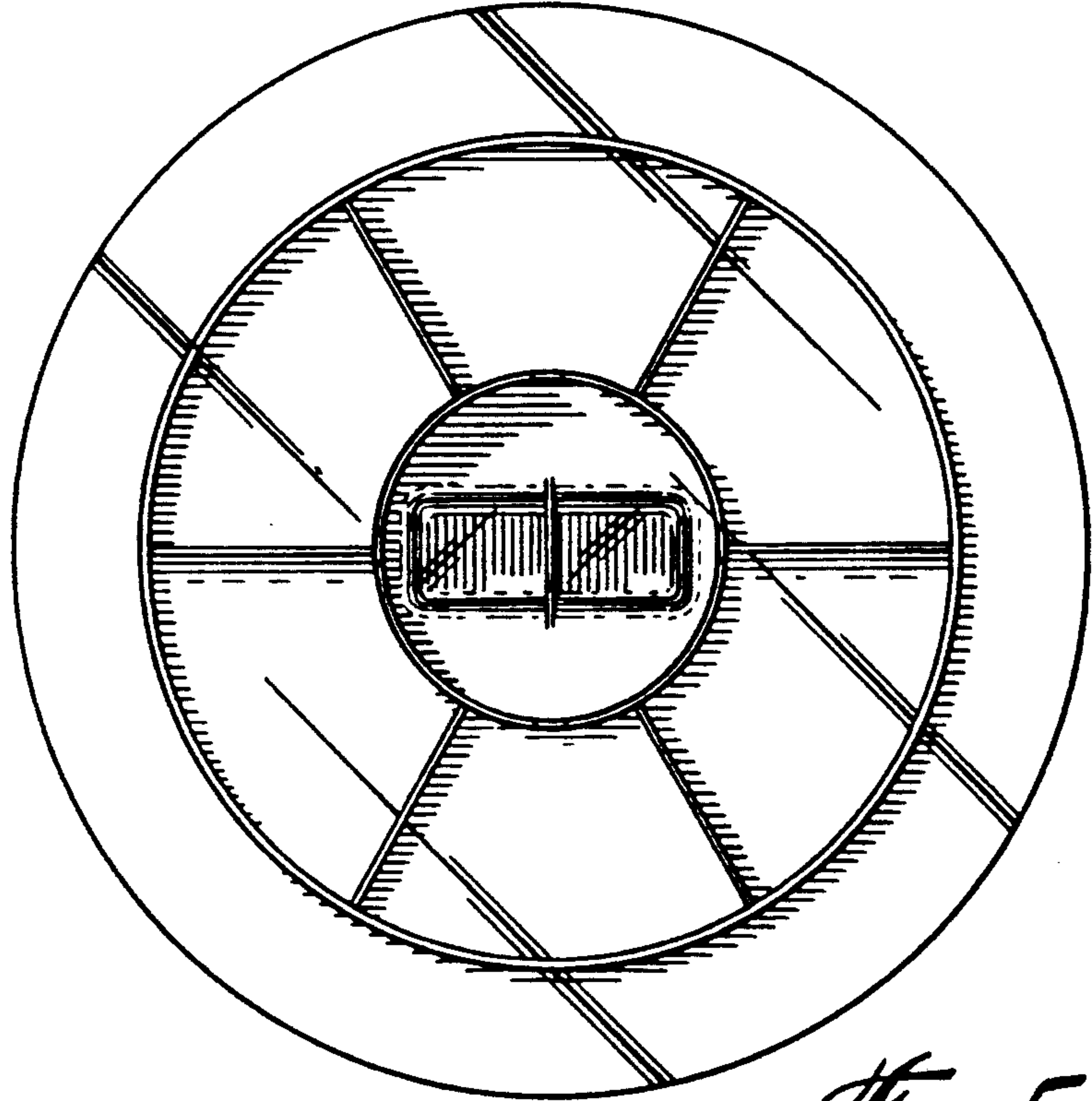
*Fig. 2*



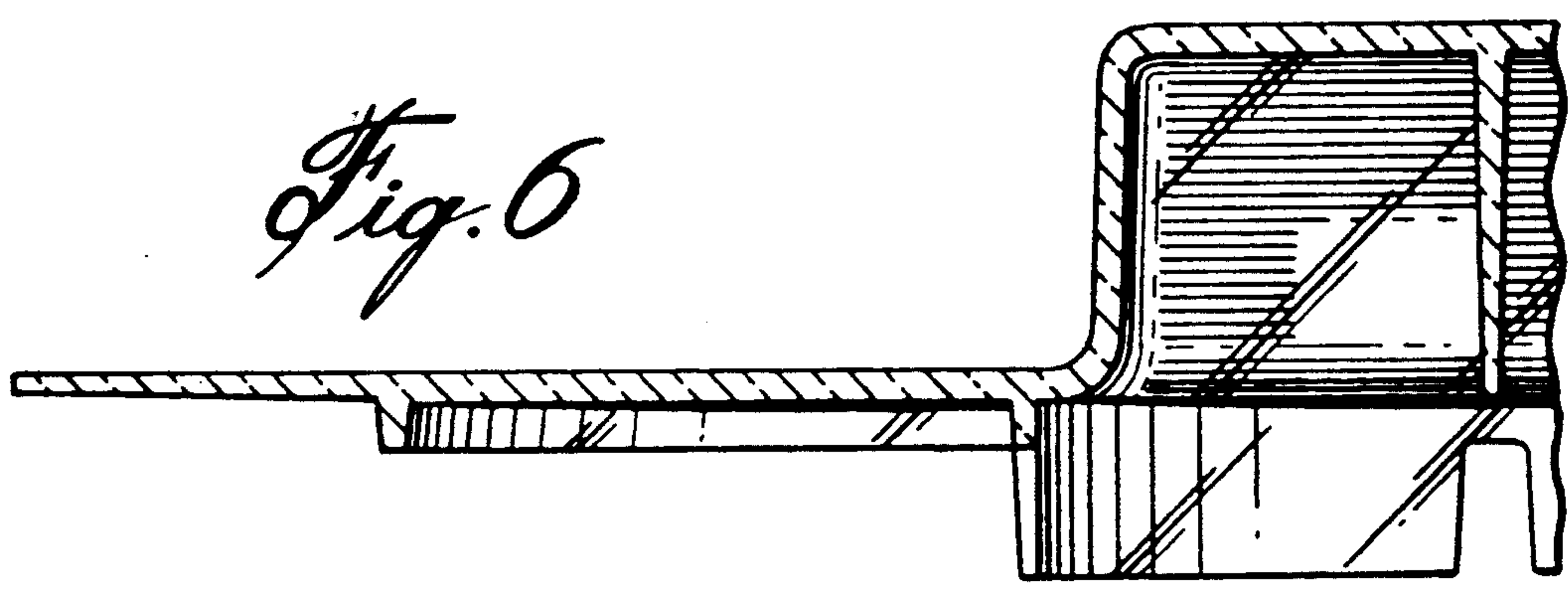
*Fig. 3*



*Fig. 4*



*Fig. 5*



*Fig. 6*