



US00D341316S

# United States Patent [19]

[11] Patent Number: **Des. 341,316**

Fritz et al.

[45] Date of Patent: **\*\* Nov. 16, 1993**

[54] CONTAINER

[75] Inventors: **Jill A. Fritz, Fairport; Darryl P. Hansen, Shortsville, both of N.Y.**

[73] Assignee: **Mobil Oil Corporation, Fairfax, Va.**

[\*\*] Term: **14 Years**

[21] Appl. No.: **824,476**

[22] Filed: **Jan. 16, 1992**

[52] U.S. Cl. .... **D9/429; D9/425; D9/418**

[58] Field of Search ..... **D9/425, 424, 429, 430, D9/418, 415, 341; 206/45.31, 45.34, 541, 557, 561, 563, 521.1, 521.15; 220/4.21, 4.22, 4.26; 229/2.5 R, 2.5 EC, 4.5, 904, 905, 915, 162**

[56] **References Cited**

### U.S. PATENT DOCUMENTS

D. 218,927	10/1970	Artz .....	D9/341
D. 220,749	5/1971	Artz .....	D9/341
D. 220,752	5/1971	Artz .....	D9/425
D. 227,226	6/1973	Bird .....	D9/425
D. 305,409	1/1990	Michaud et al. ....	D9/425
3,586,162	6/1971	Townsend .....	220/4.25 X
3,786,982	1/1974	Rakes et al. .	

4,096,986	6/1978	Florian .....	220/4.23 X
4,098,453	7/1978	Arneson .....	229/2.5 R X
4,452,356	6/1984	Dahl .	
4,576,330	3/1986	Schepp .	
4,730,731	3/1988	Allison .	
4,863,054	9/1989	Capetta .	
4,974,738	12/1990	Kidd et al. ....	229/2.5 R X
4,976,370	12/1990	Cassel .	
5,046,659	9/1991	Warburton .	

*Primary Examiner*—Prabhakar G. Deshmukh  
*Attorney, Agent, or Firm*—Alexander J. McKillop;  
George W. Hager, Jr.

### [57] CLAIM

The ornamental design for a container, as shown and described.

### DESCRIPTION

FIG. 1 is a perspective view of a container showing our new design;  
FIG. 2 is a left side elevational view thereof; the right side elevational being a mirror image thereof except the bottom flap having a cut similar to the top flap;  
FIG. 3 is a top plan view thereof;  
FIG. 4 is a bottom plan view thereof;  
FIG. 5 is a rear elevational view thereof; and,  
FIG. 6 is a front elevational view thereof.

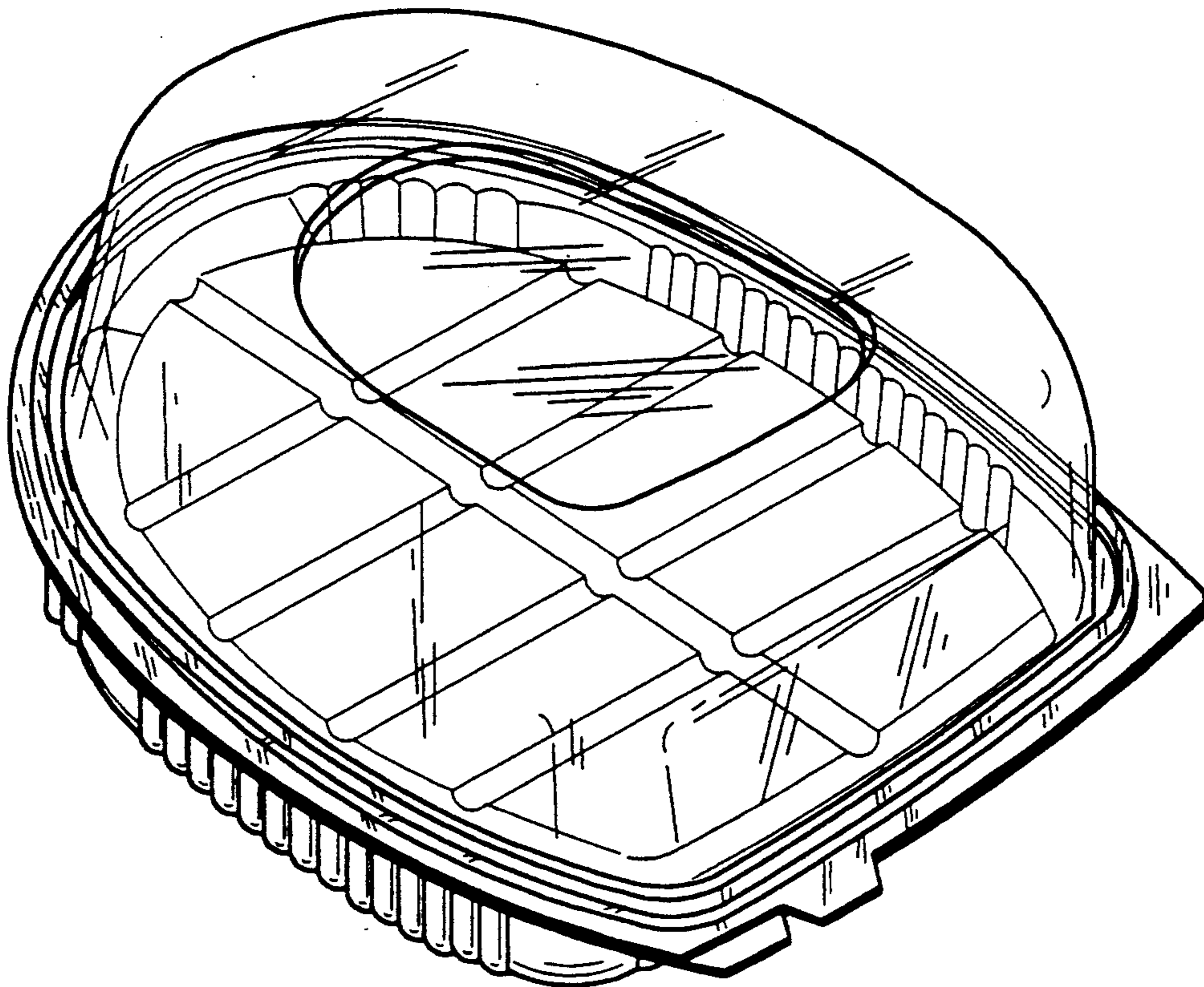


FIG. 1

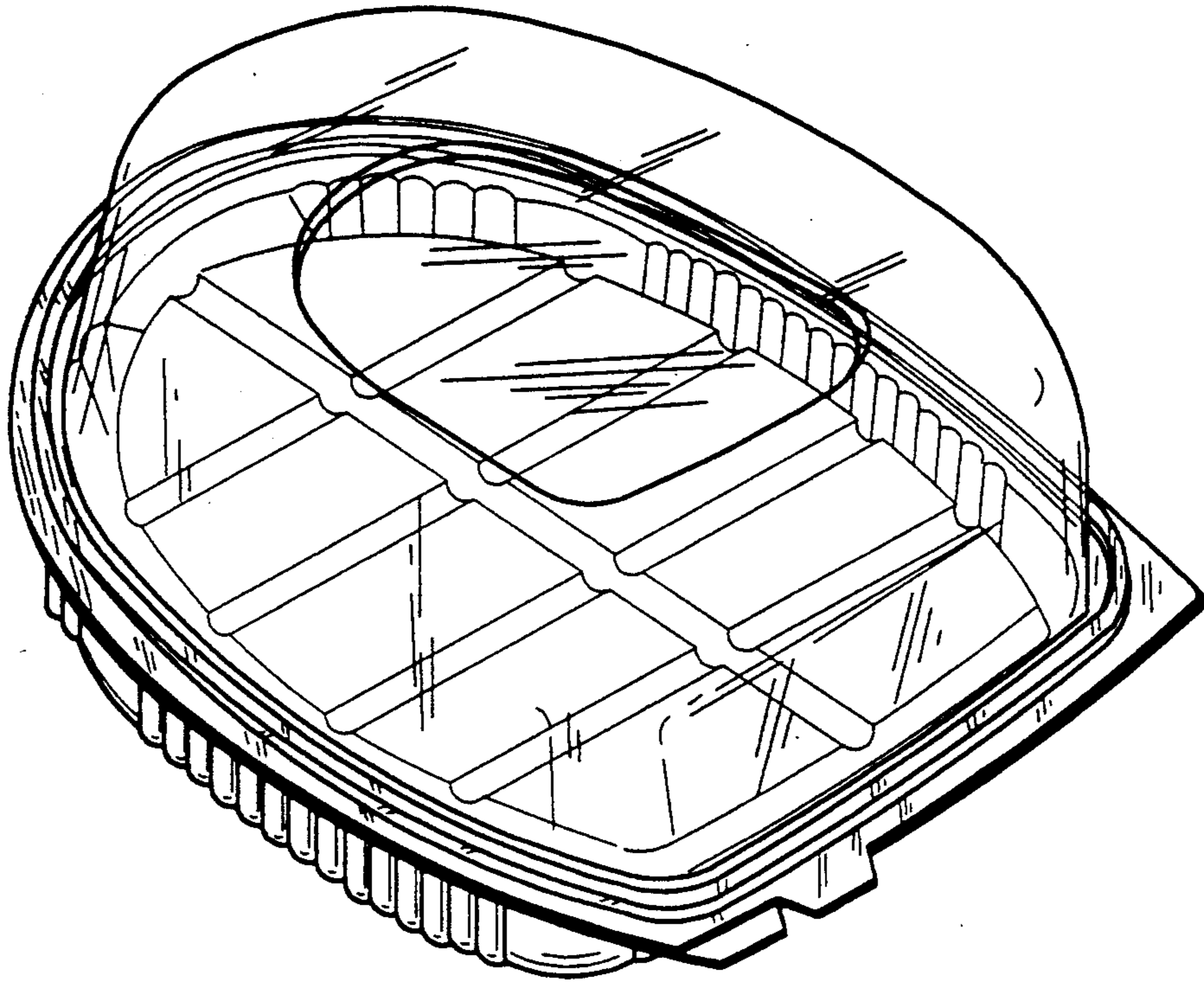


FIG. 2

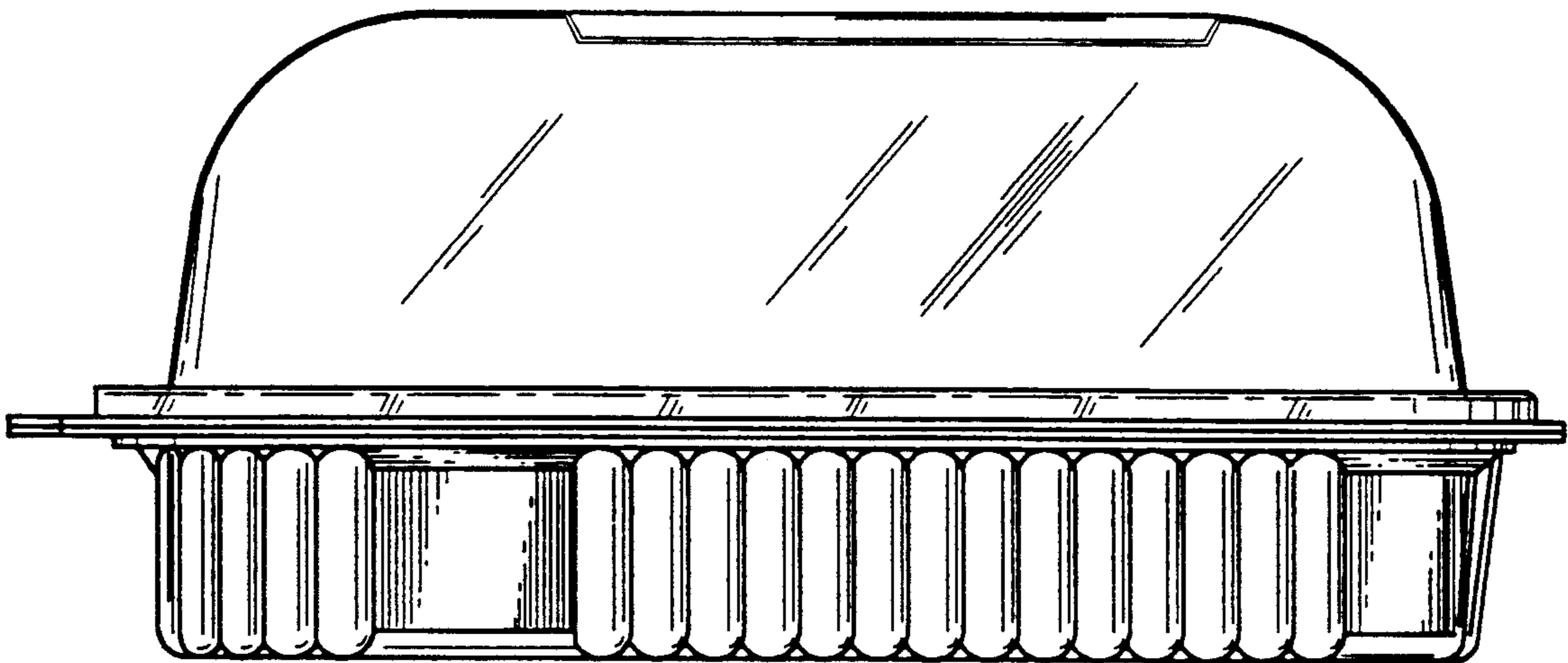


FIG. 3

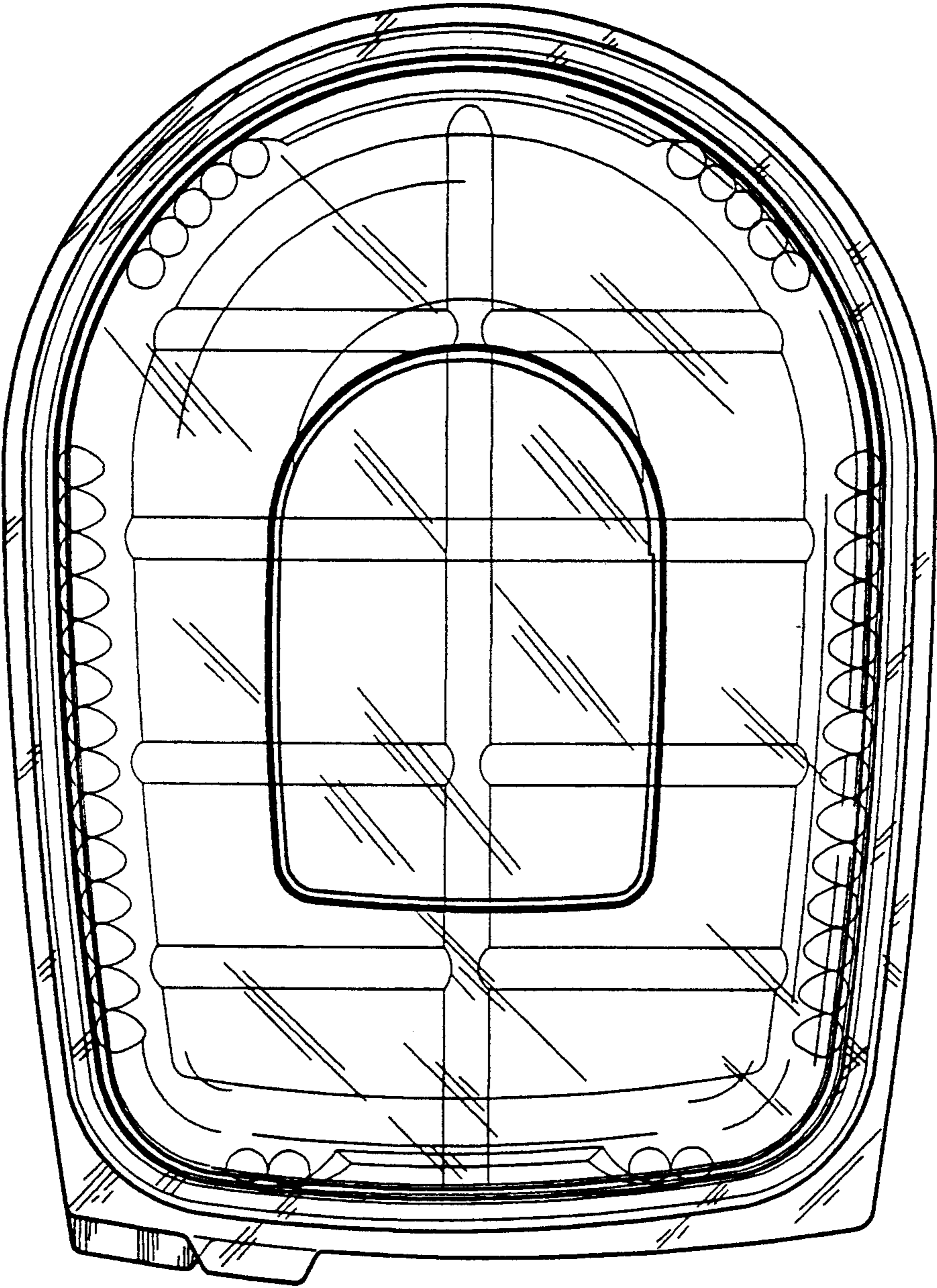


FIG. 4

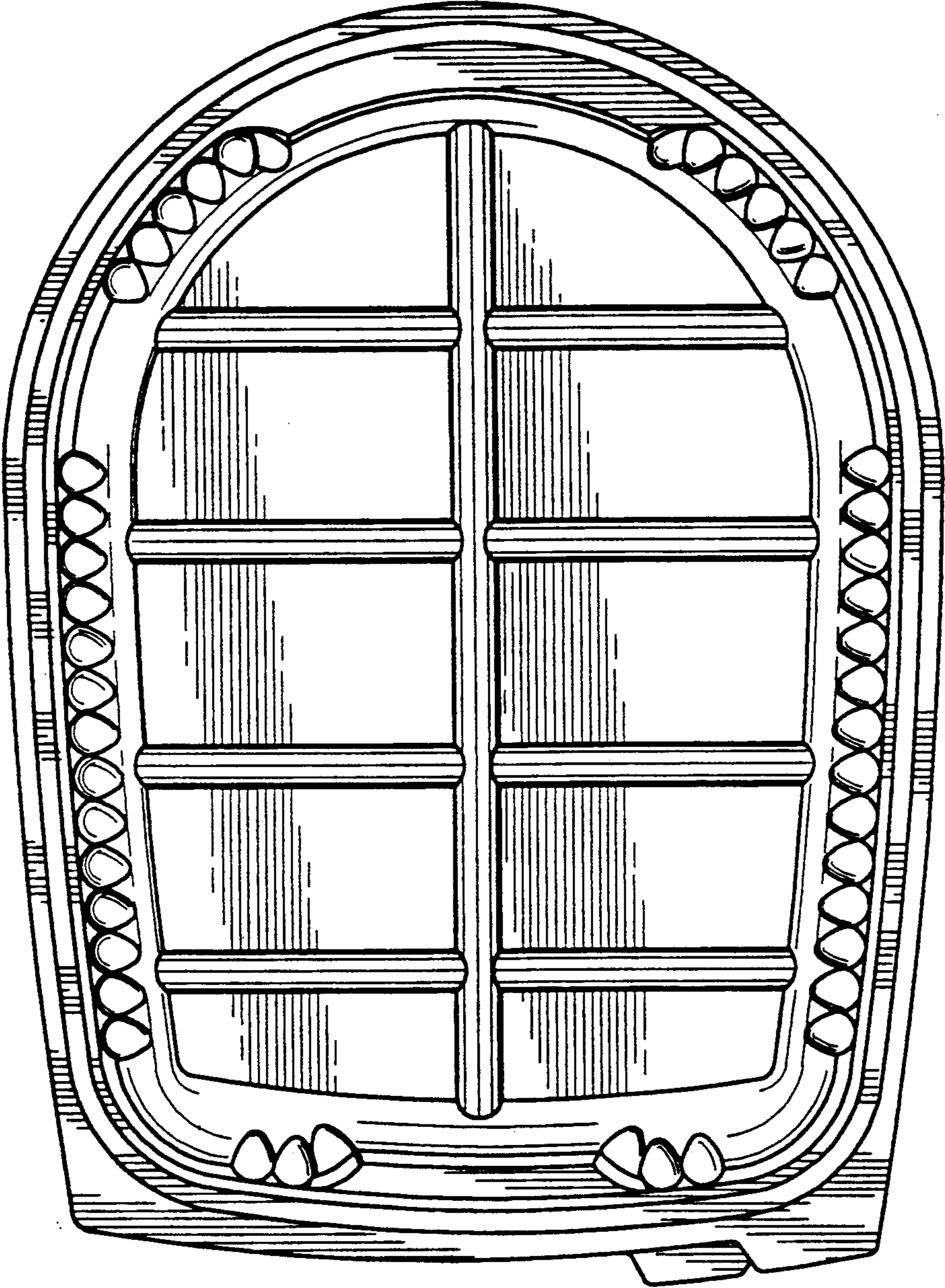


FIG. 5

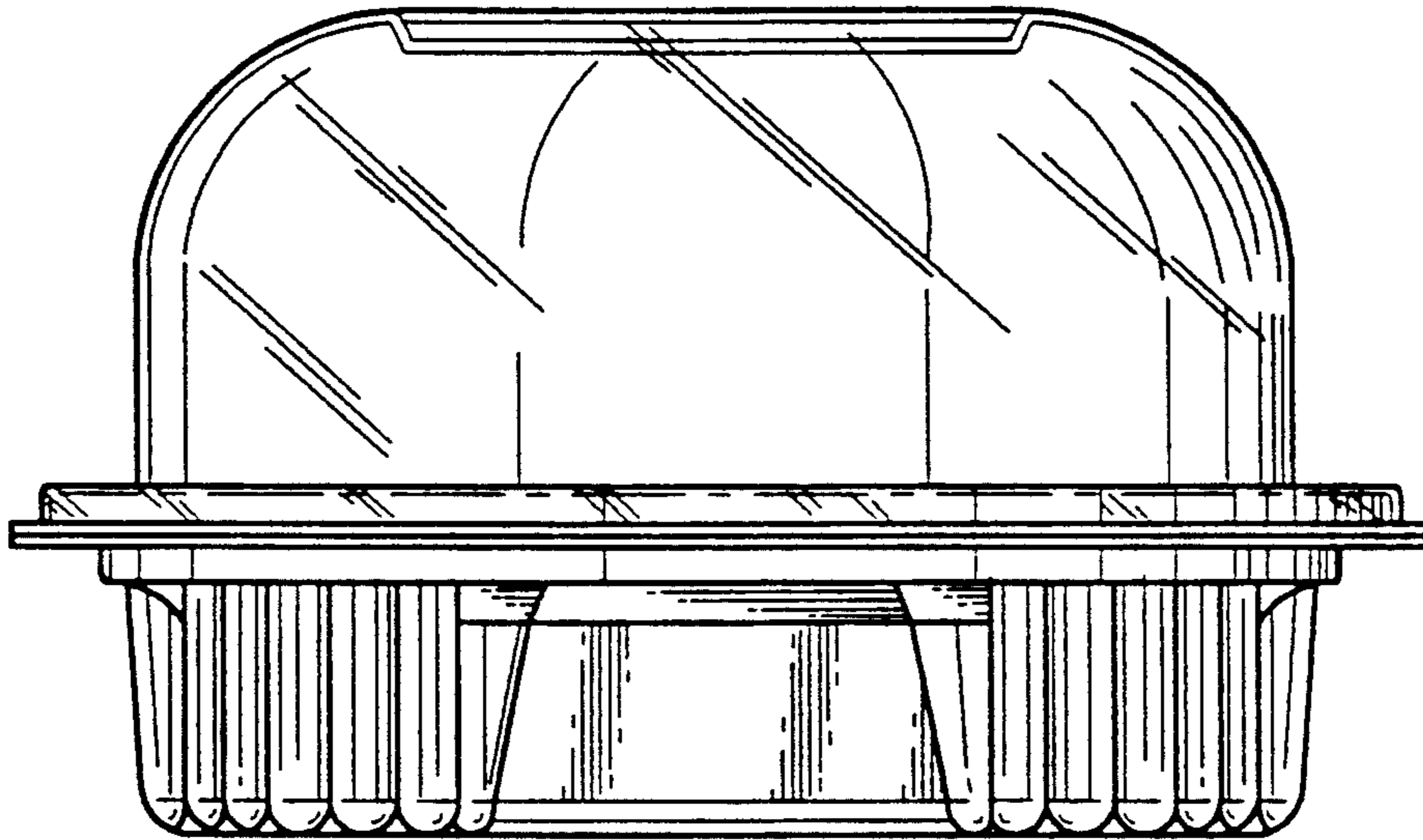


FIG. 6

