



US00D341313S

# United States Patent [19]

[11] Patent Number: **Des. 341,313**

**Baron**

[45] Date of Patent: **\*\* Nov. 16, 1993**

[54] **CORNER SHELF BRACKET SET**

4,278,196 7/1981 Ford ..... 248/220.1 X

[75] Inventor: **Glen H. Baron, Simsbury, Conn.**

*Primary Examiner*—Wallace R. Burke

*Assistant Examiner*—H. Baynham

[73] Assignee: **El Mar, Inc., West Hartford, Conn.**

*Attorney, Agent, or Firm*—Chilton, Alix & Van Kirk

[\*\*] Term: **14 Years**

### [57] CLAIM

[21] Appl. No.: **822,559**

The ornamental design for a corner shelf bracket set, as shown and described.

[22] Filed: **Jan. 17, 1992**

### DESCRIPTION

[52] U.S. Cl. .... **D8/380**

[58] Field of Search ..... **D8/380, 354, 349;**  
**248/220.1**

FIG. 1 is a top plan view of a corner shelf bracket set showing my new design, with additional broken lines shown for illustrative purposes and forming no part of the claimed design;

FIG. 2 is a front elevational view thereof;

FIG. 3 is a bottom plan view thereof;

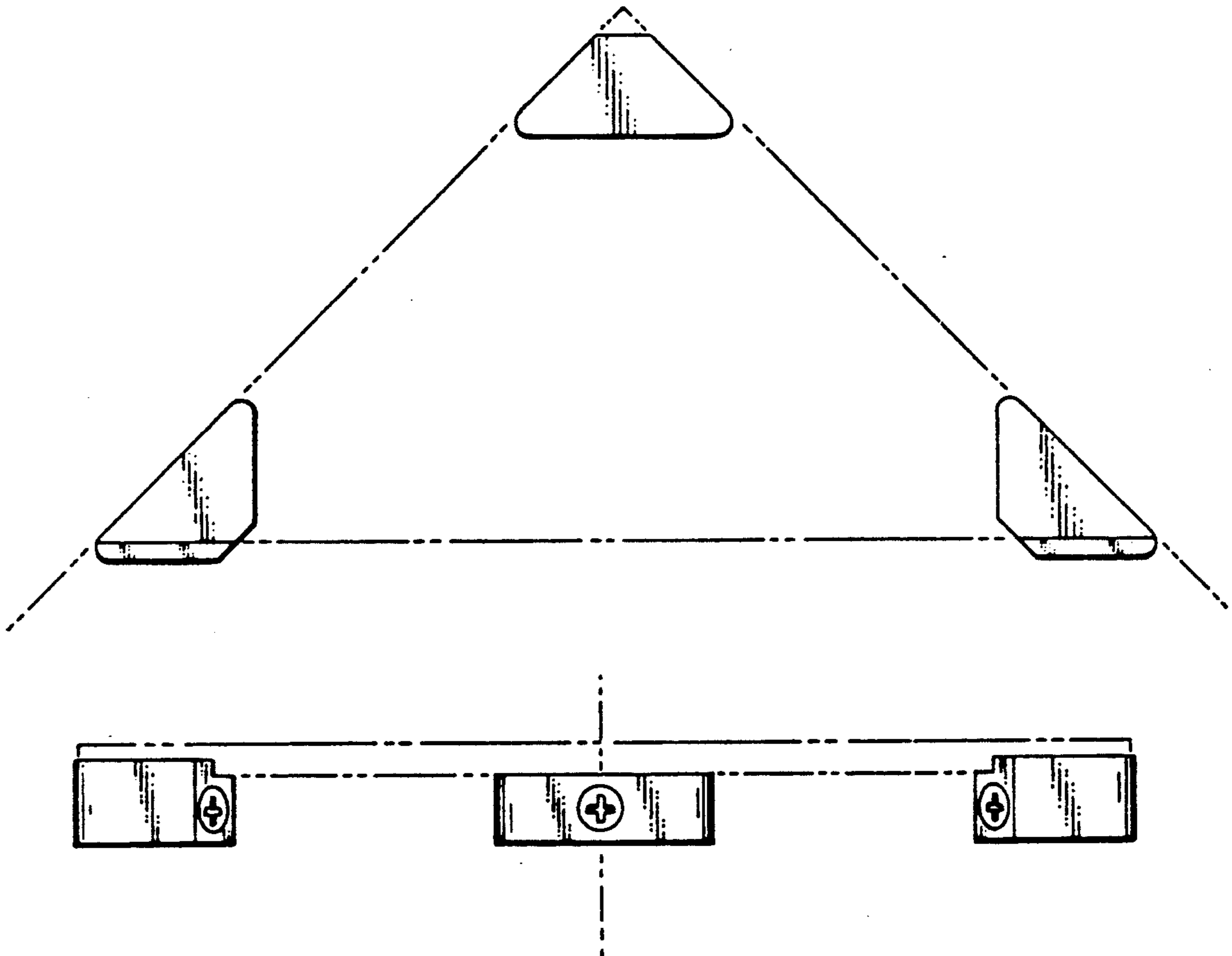
FIG. 4 is a right side elevational view thereof, a left side elevational view being a mirror duplicate thereof; and,

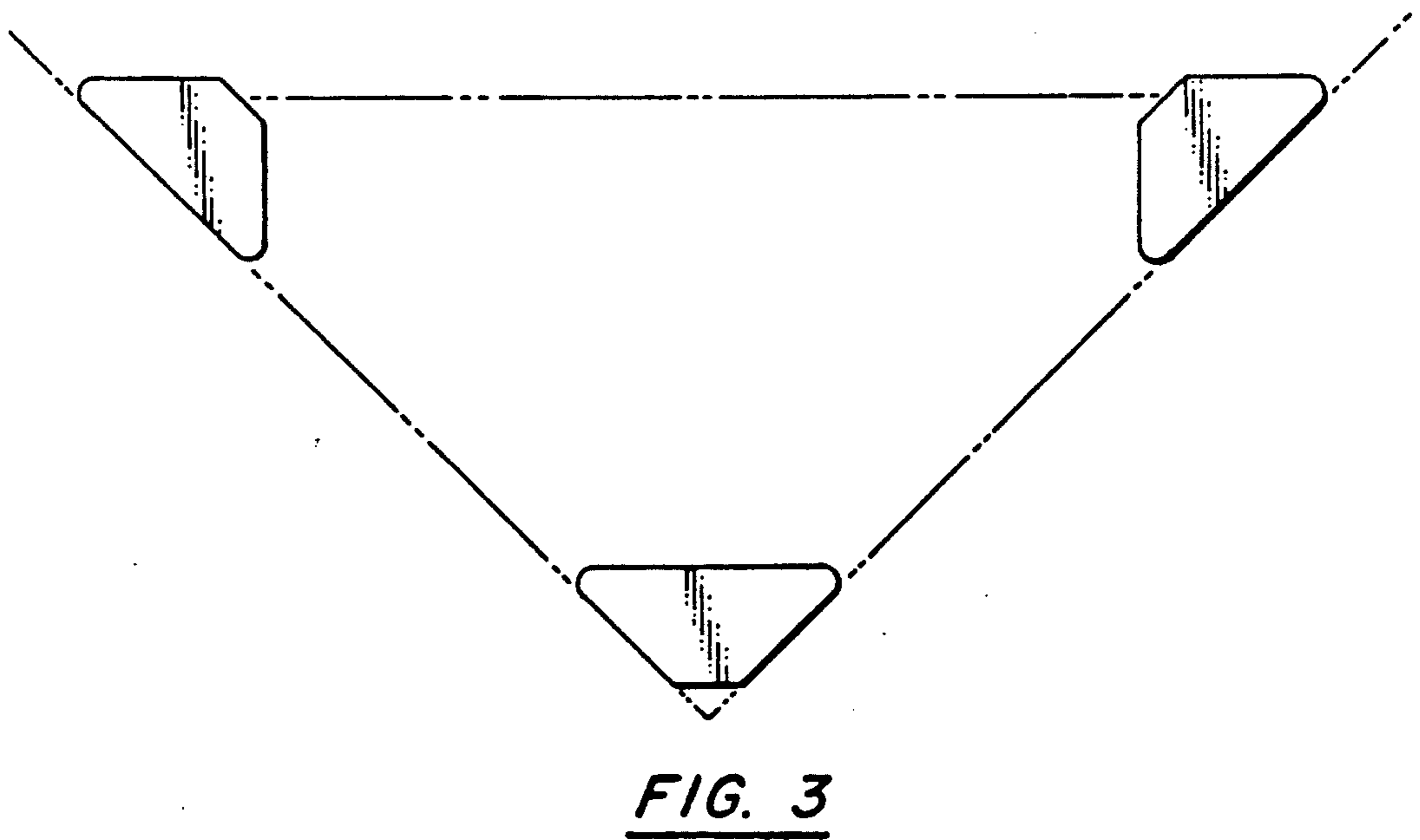
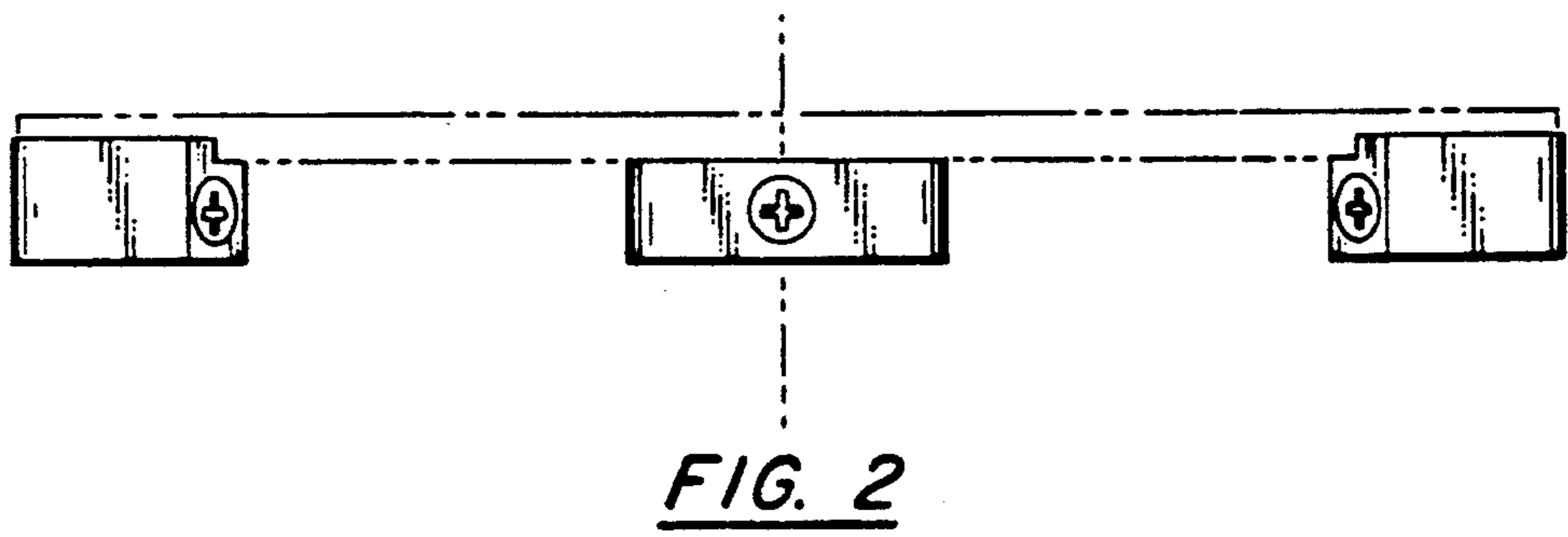
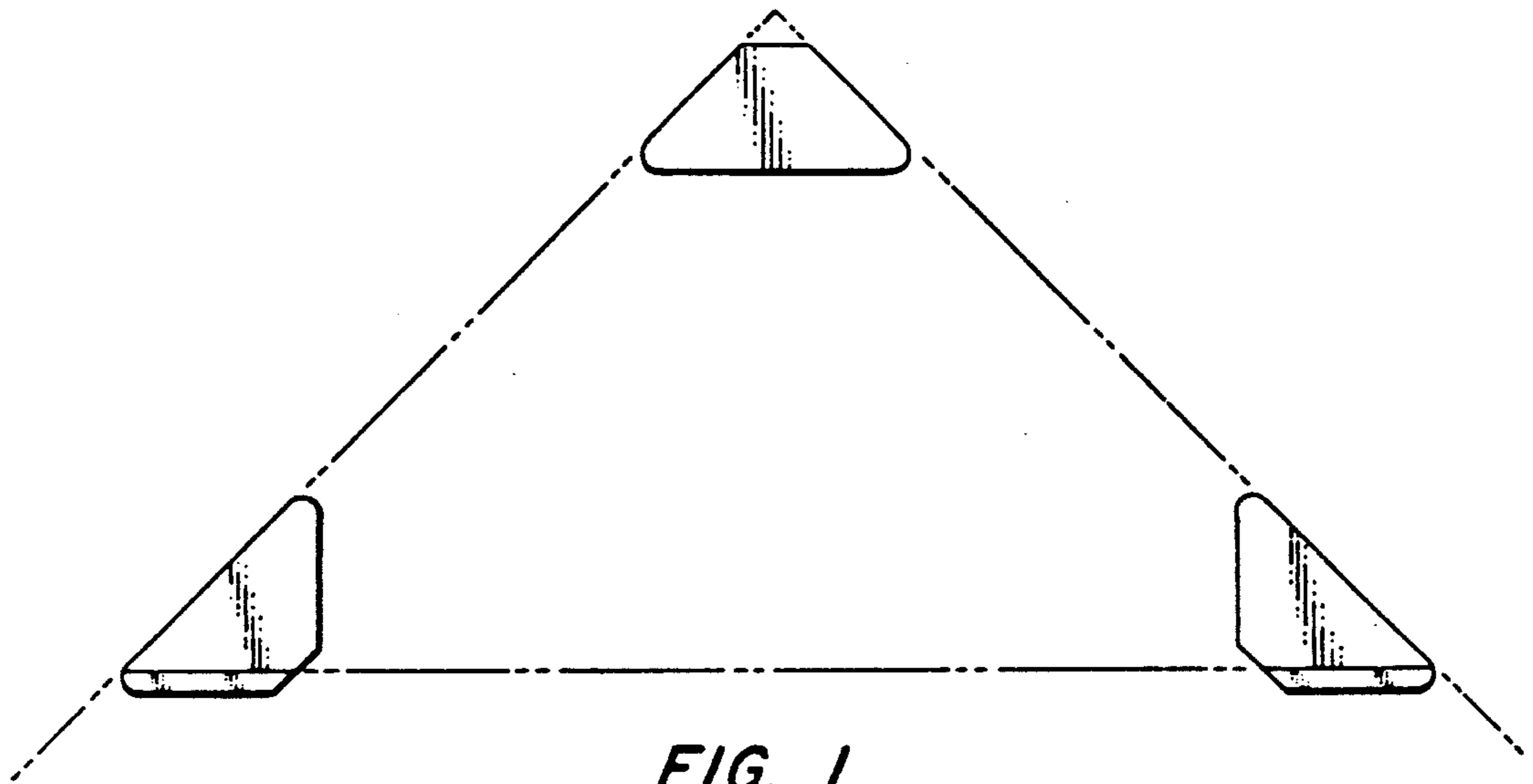
FIG. 5 is a rear elevational view thereof.

### [56] References Cited

#### U.S. PATENT DOCUMENTS

- D. 27,106 5/1897 Cramer ..... D8/354 X
- D. 229,384 11/1973 Groce ..... D8/354
- D. 238,963 2/1976 Vinci ..... D8/354 X





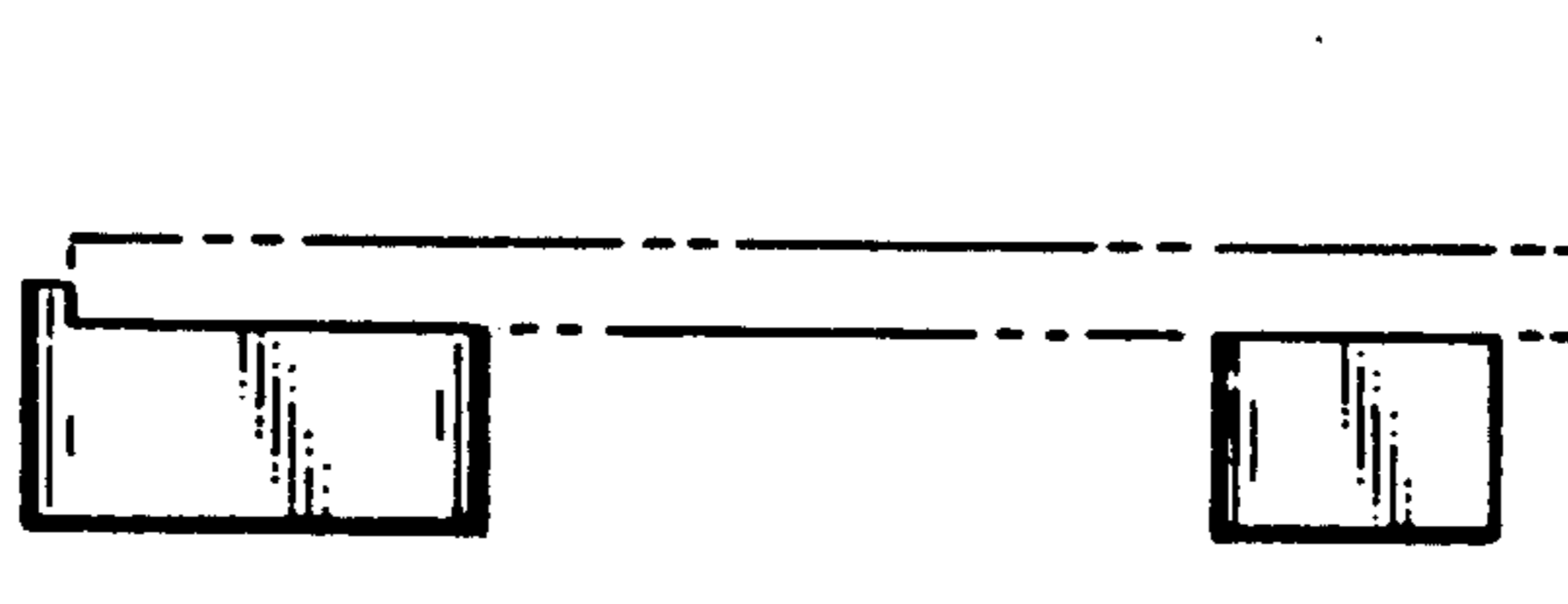


FIG. 4

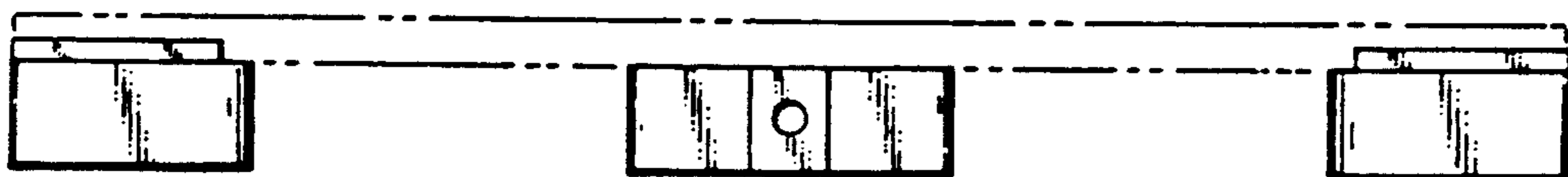


FIG. 5