



US00D341309S

United States Patent [19]

[11] Patent Number: **Des. 341,309**

Hammond

[45] Date of Patent: **** Nov. 16, 1993**

[54] **ROLLER BUMPER FOR CHAIN SAW BAR**

[76] Inventor: **Eldon Hammond, 204 Hayes Ave.,
Pana, Ill. 62557**

[**] Term: **14 Years**

[21] Appl. No.: **813,215**

[22] Filed: **Dec. 23, 1991**

[52] U.S. Cl. **D8/70**

[58] Field of Search **D8/70, 61; 30/290, 377,
30/286, 389, 122, 123, 371, 381, 388; 144/208 J**

[56] **References Cited**

U.S. PATENT DOCUMENTS

4,479,303	10/1984	Gardner	30/122
4,611,521	9/1986	McCardle	30/382
4,615,117	10/1986	Flath	30/382
4,615,121	10/1986	Hakansson	30/382
4,833,781	5/1989	Allen	30/377
4,985,997	1/1991	Gross, Sr.	30/382

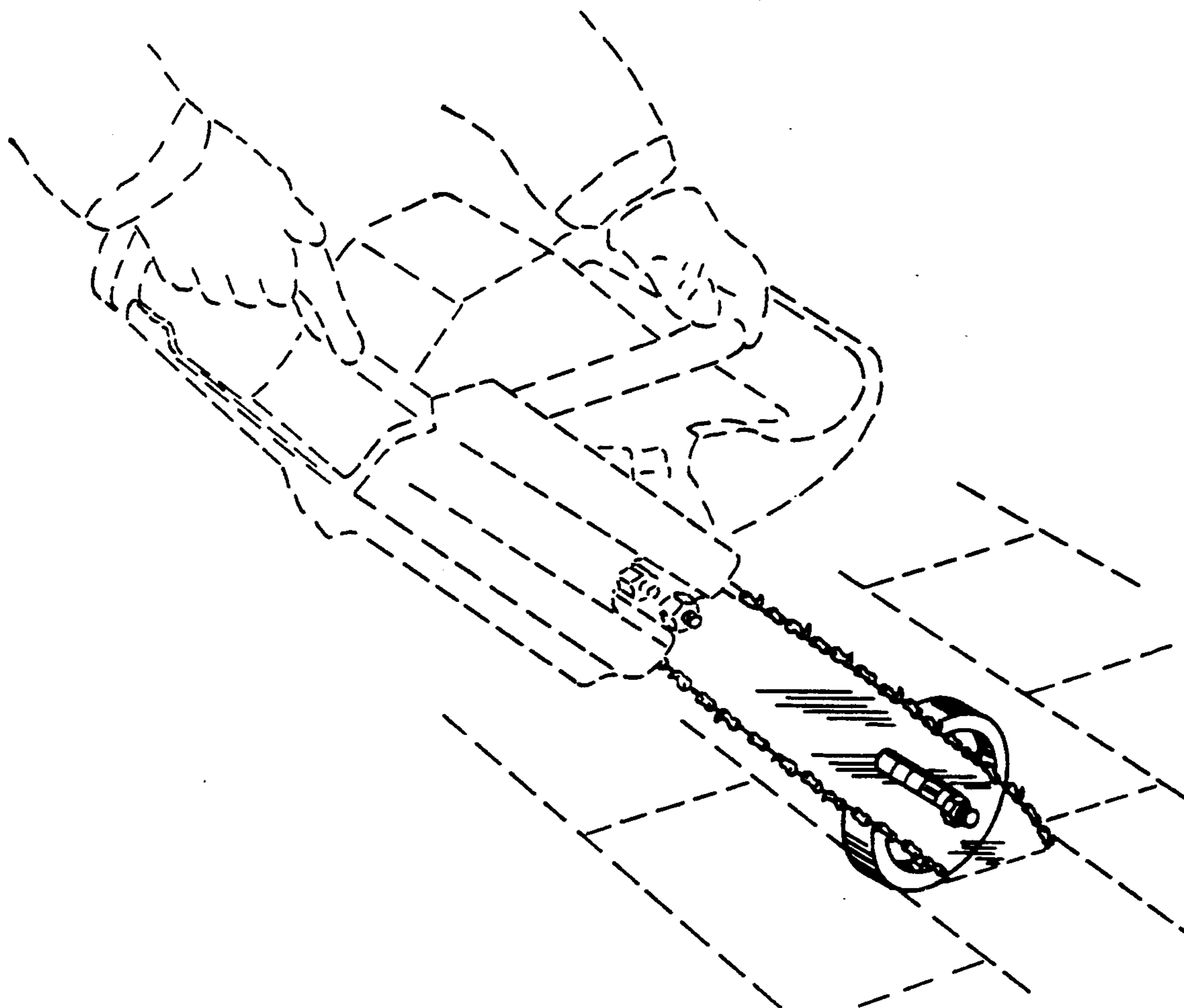
Primary Examiner—Alan P. Douglas
Assistant Examiner—J. H. Musgrove
Attorney, Agent, or Firm—Grace J. Fishel

[57] **CLAIM**

The ornamental design for a roller bumper for chain saw bar, as shown.

DESCRIPTION

FIG. 1 is a perspective view of a roller bumper for chain saw bar showing my new design;
FIG. 2 is a right side elevational view as viewed in FIG. 1;
FIG. 3 is a bottom view thereof;
FIG. 4 is a left side elevational view as viewed in FIG. 1;
FIG. 5 is a front view; and,
FIG. 6 is a rear view.
The driving motor shown in broken lines in FIG. 1 denotes the nature and environmental use of the design and is not part of the design.



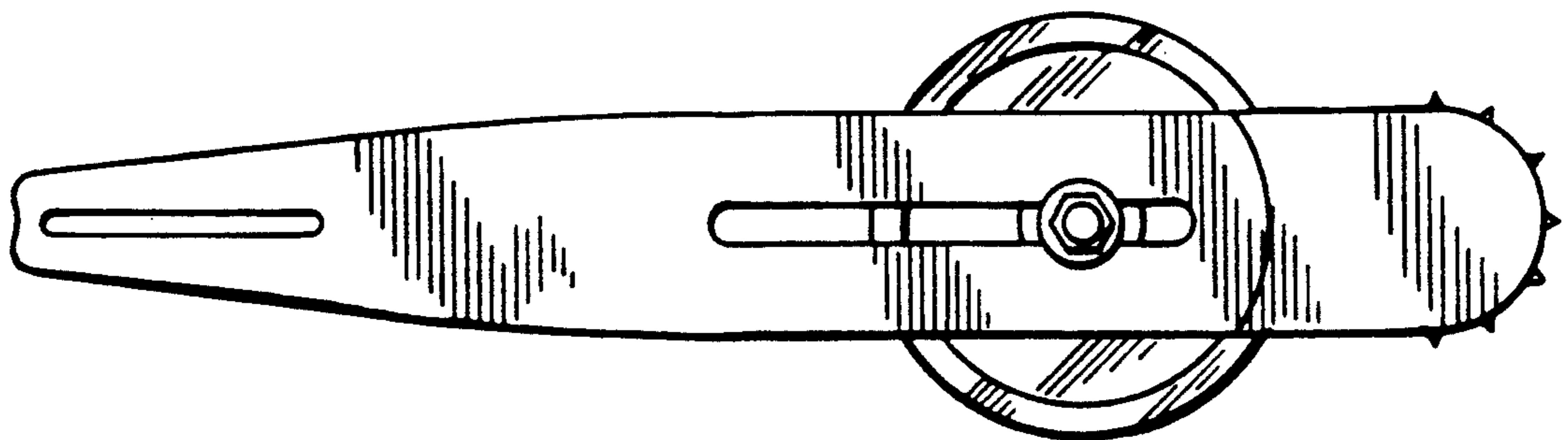
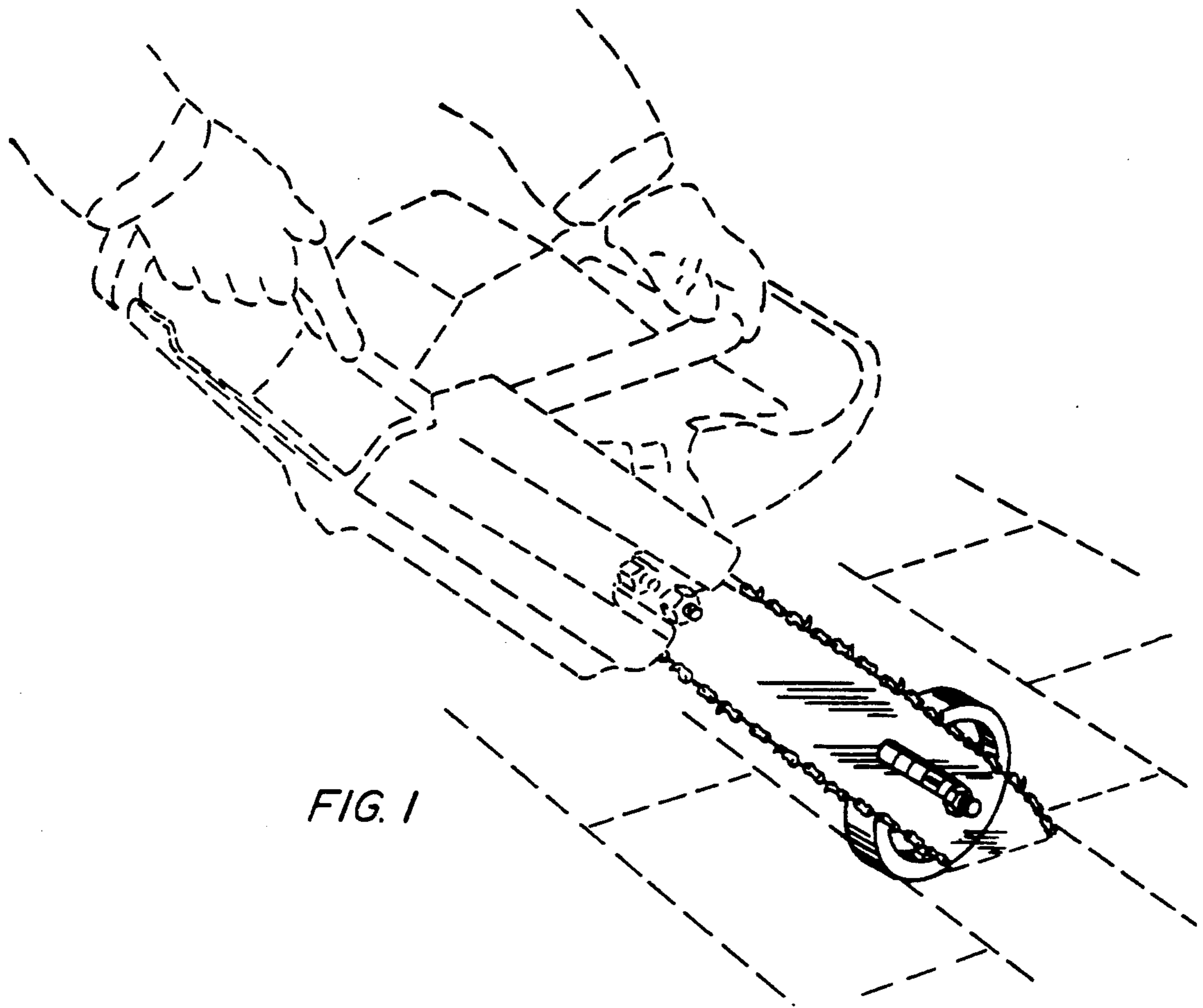


FIG. 2

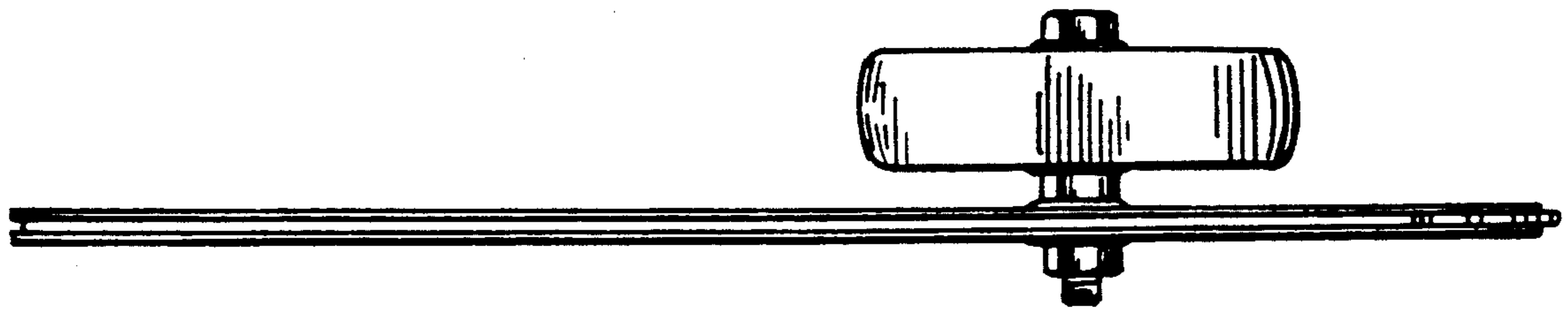


FIG. 3

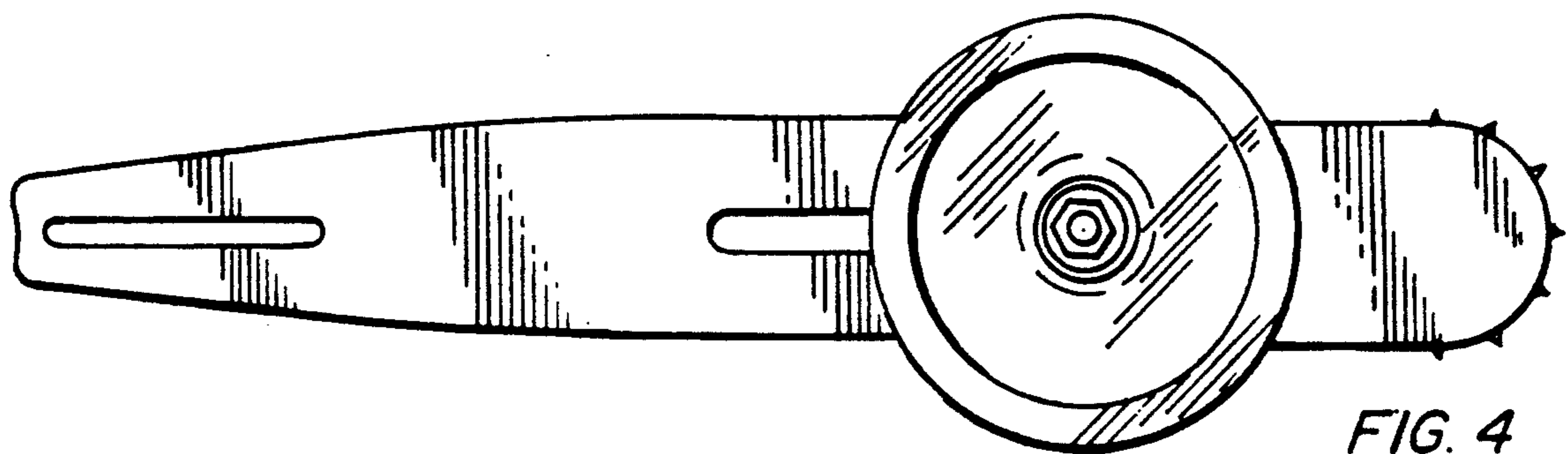


FIG. 4

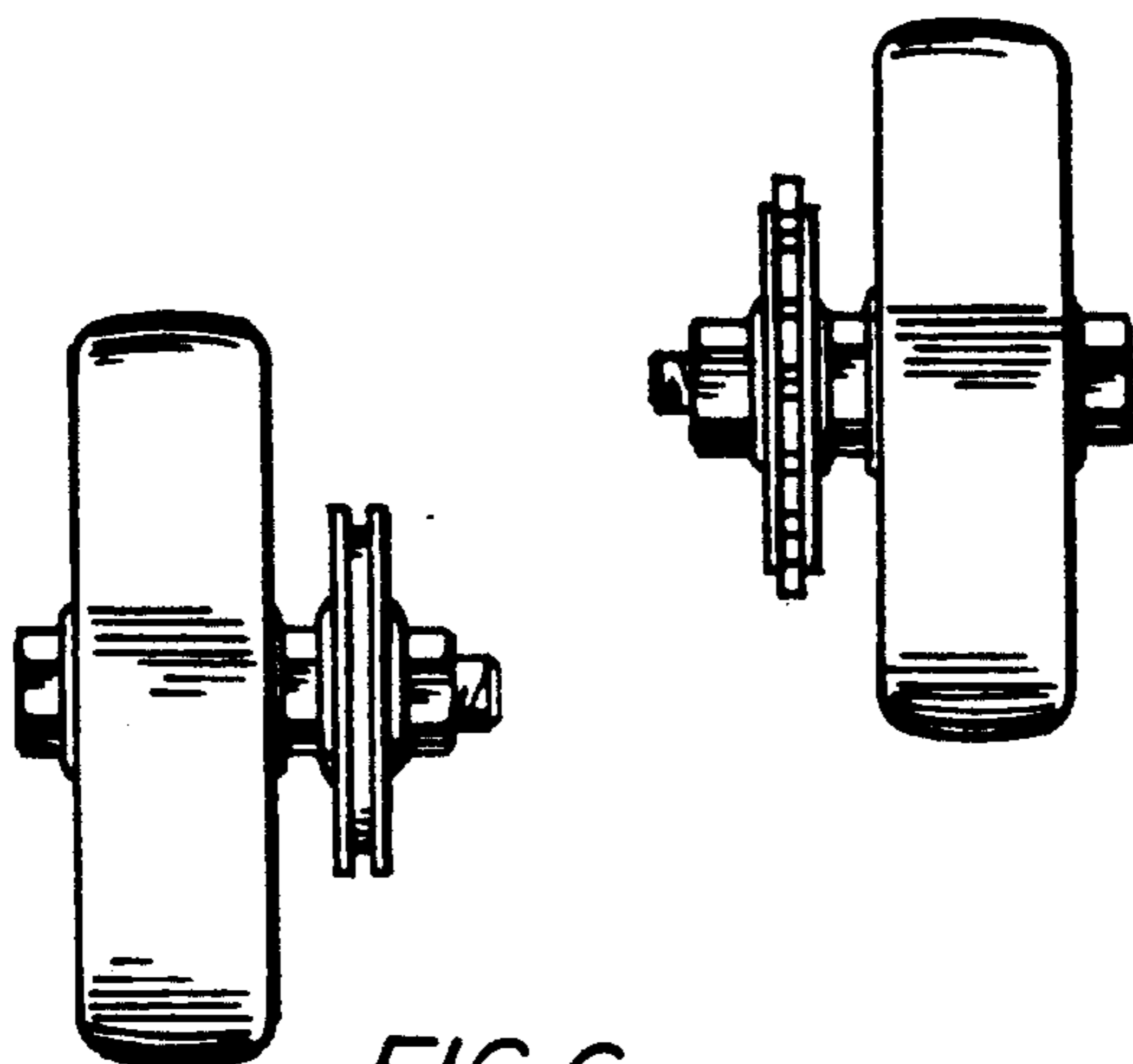


FIG. 5

FIG. 6