



US00D341308S

United States Patent [19]

[11] Patent Number: **Des. 341,308**

Pritchard, II

[45] Date of Patent: **** Nov. 16, 1993**

[54] WINDOW SAFETY LATCH

2,912,268 11/1959 Markovich 292/262

[76] Inventor: **Doyle C. Pritchard, II**, 414-W
HFD-Armona Rd. E-25, Lemoore,
Calif. 93245

Primary Examiner—Brian N. Vinson
Attorney, Agent, or Firm—Leon Gilden

[**] Term: **14 Years**

[57] **CLAIM**

[21] Appl. No.: **677,885**

The ornamental design for a window safety latch, as shown and described.

[22] Filed: **Apr. 1, 1991**

DESCRIPTION

[52] U.S. Cl. **D8/338; D8/341**

FIG. 1 is a front elevational view of the window safety latch showing my new design;

[58] Field of Search **D8/330, 331, 337-339,**

FIG. 2 is a rear elevational view thereof;

D8/341; 292/7, 35, 52, 57, 63, 66, 262, 269,

FIG. 3 is a left side elevational view thereof;

288-289; 70/108, 448, DIG. 63

FIG. 4 is a right side elevational view thereof;

[56] **References Cited**

U.S. PATENT DOCUMENTS

D. 254,594 4/1980 Picard D8/341

FIG. 5 is an enlarged top plan view thereof;

D. 332,906 2/1993 Ham et al. D8/331

FIG. 6 is an enlarged bottom plan view thereof; and,

1,277,174 8/1918 Bakst 70/108

FIG. 7 is a perspective view thereof, with the broken-

2,584,088 1/1952 Floyd 70/108

line disclosure of a portion of a window being for illustrative purposes only and forming no part of the claimed design.

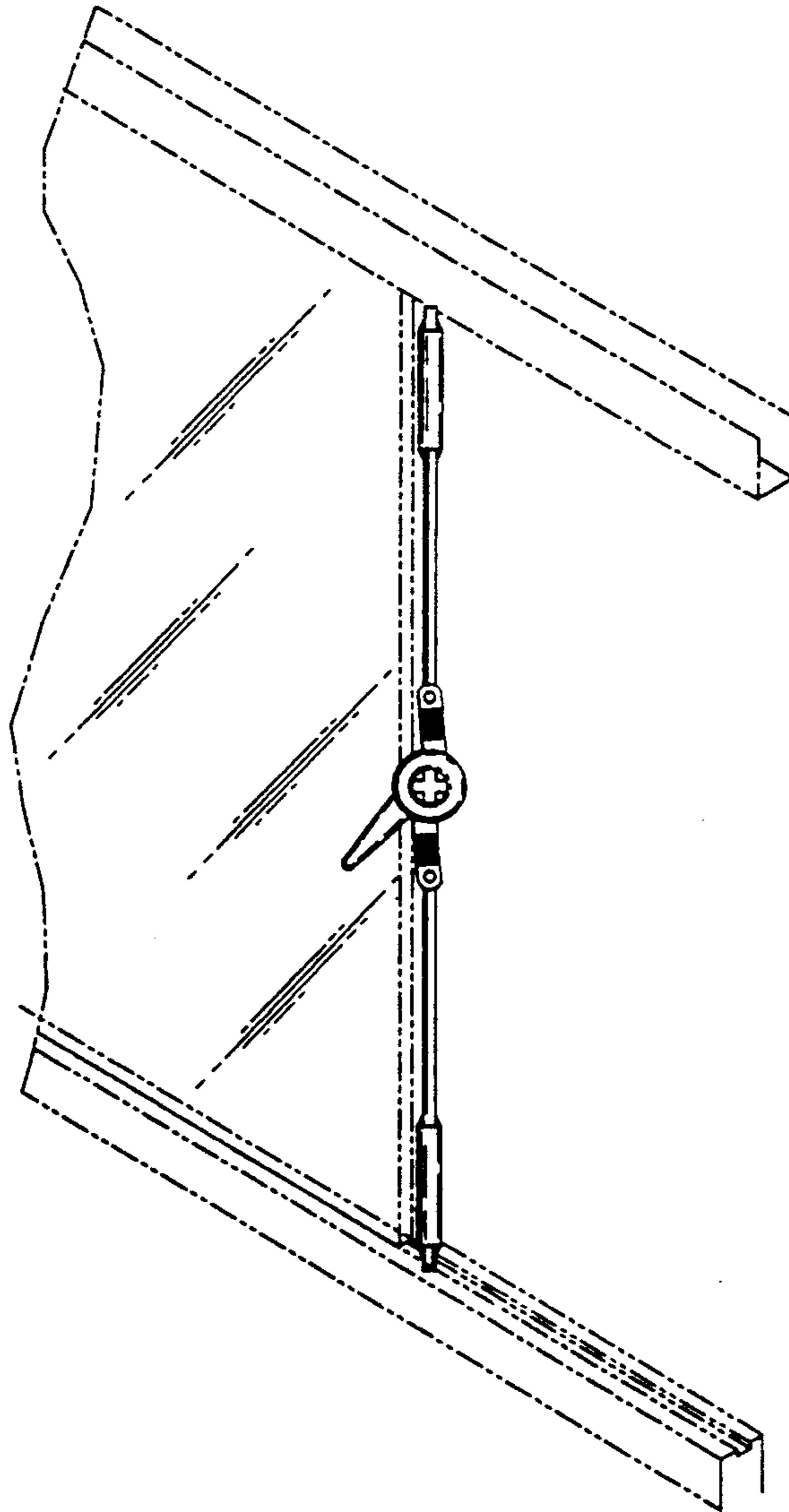


FIG. 1



FIG. 2

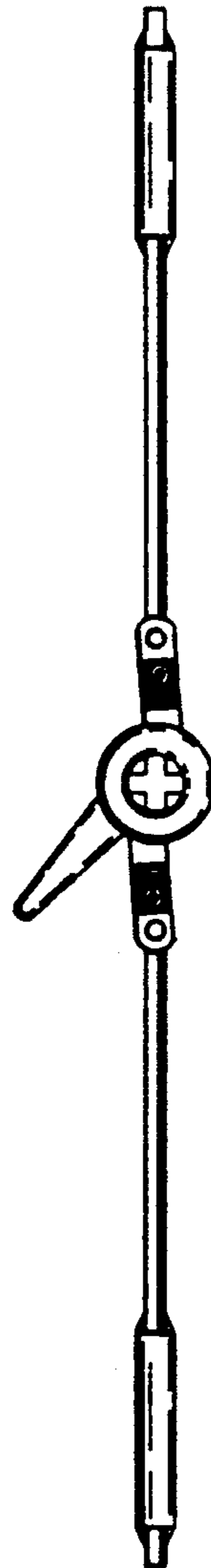


FIG. 3



FIG. 4



FIG. 5



FIG. 6



FIG. 7

