



US00D341307S

United States Patent [19]

[11] Patent Number: **Des. 341,307**

Lage et al.

[45] Date of Patent: **** Nov. 16, 1993**

[54] **ENVELOPE OPENER**

[75] Inventors: **David P. Lage; Albert P. Carney,**
both of St. Louis County, Mo.

[73] Assignee: **Quick Point, Inc.,** Fenton, Mo.

[**] Term: **14 Years**

[21] Appl. No.: **718,822**

[22] Filed: **Jun. 21, 1991**

[52] U.S. Cl. **D8/103**

[58] Field of Search **D8/102, 103, 104;**
30/278, 294, DIG. 3; D20/10, 39, 40, 41

[56] **References Cited**

U.S. PATENT DOCUMENTS

D. 161,797	1/1951	Smith	D20/10
D. 306,394	3/1990	Koenig	D8/102
D. 329,183	9/1992	Lage	D8/102
D. 329,184	9/1992	Lage	D8/103
D. 329,584	9/1992	Shevin	D8/102
3,028,670	4/1961	Tilly	30/DIG. 3

Primary Examiner—Bernard Ansher
Assistant Examiner—R. Barkai
Attorney, Agent, or Firm—Polster, Lieder, Woodruff & Lucchesi

[57] **CLAIM**

The ornamental design for an envelope opener, as shown.

DESCRIPTION

FIG. 1 is a front elevational view of an envelope opener showing our new design;
FIG. 2 is a rear elevational view thereof;
FIG. 3 is a left side elevational view thereof;
FIG. 4 is a right side elevational view thereof;
FIG. 5 is a sectional view taken along line 5—5 of FIG. 2;
FIG. 6 is a sectional view taken along line 6—6 of FIG. 2; and,
FIG. 7 is a sectional view taken along line 7—7 of FIG. 2.

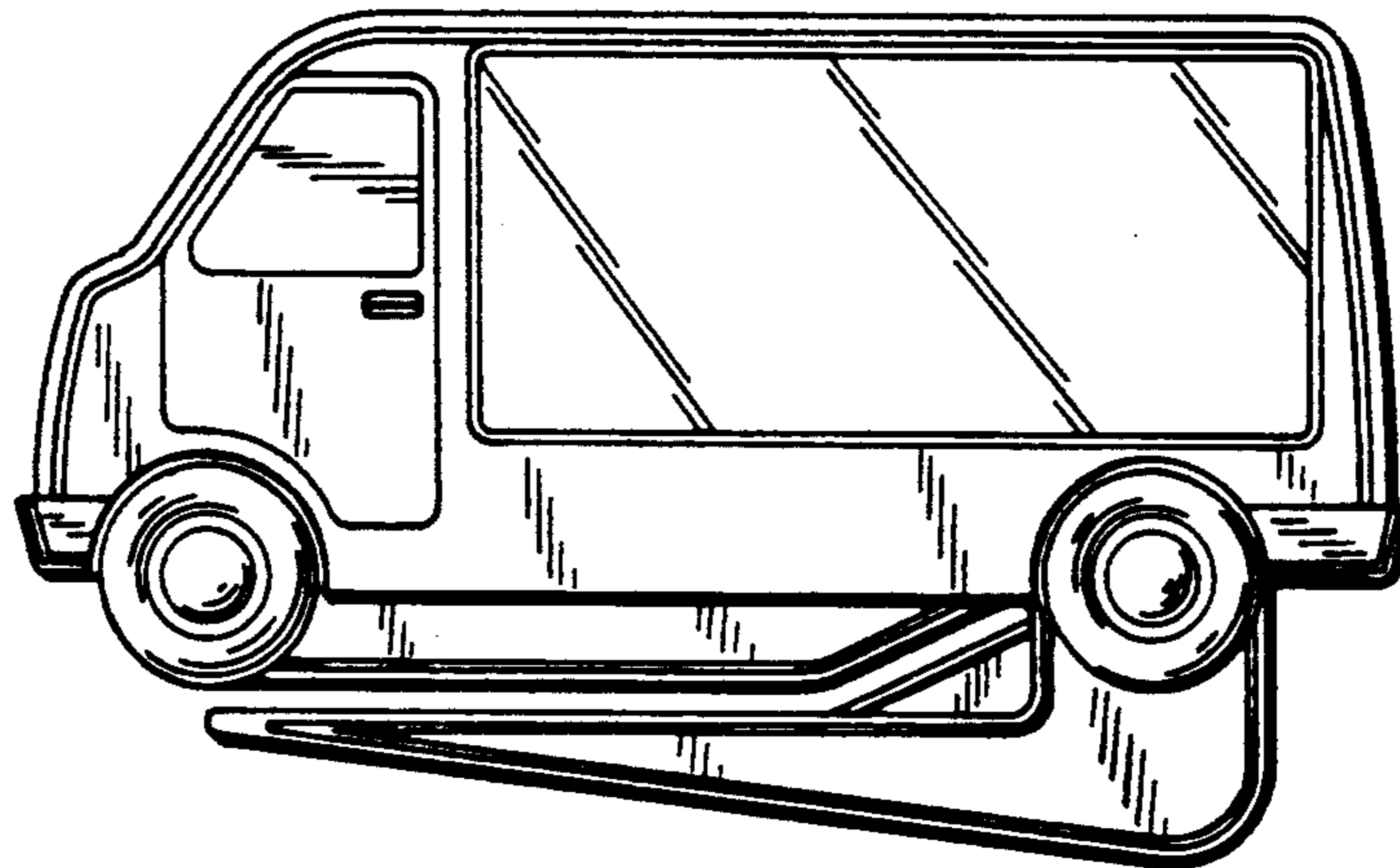


FIG. 1

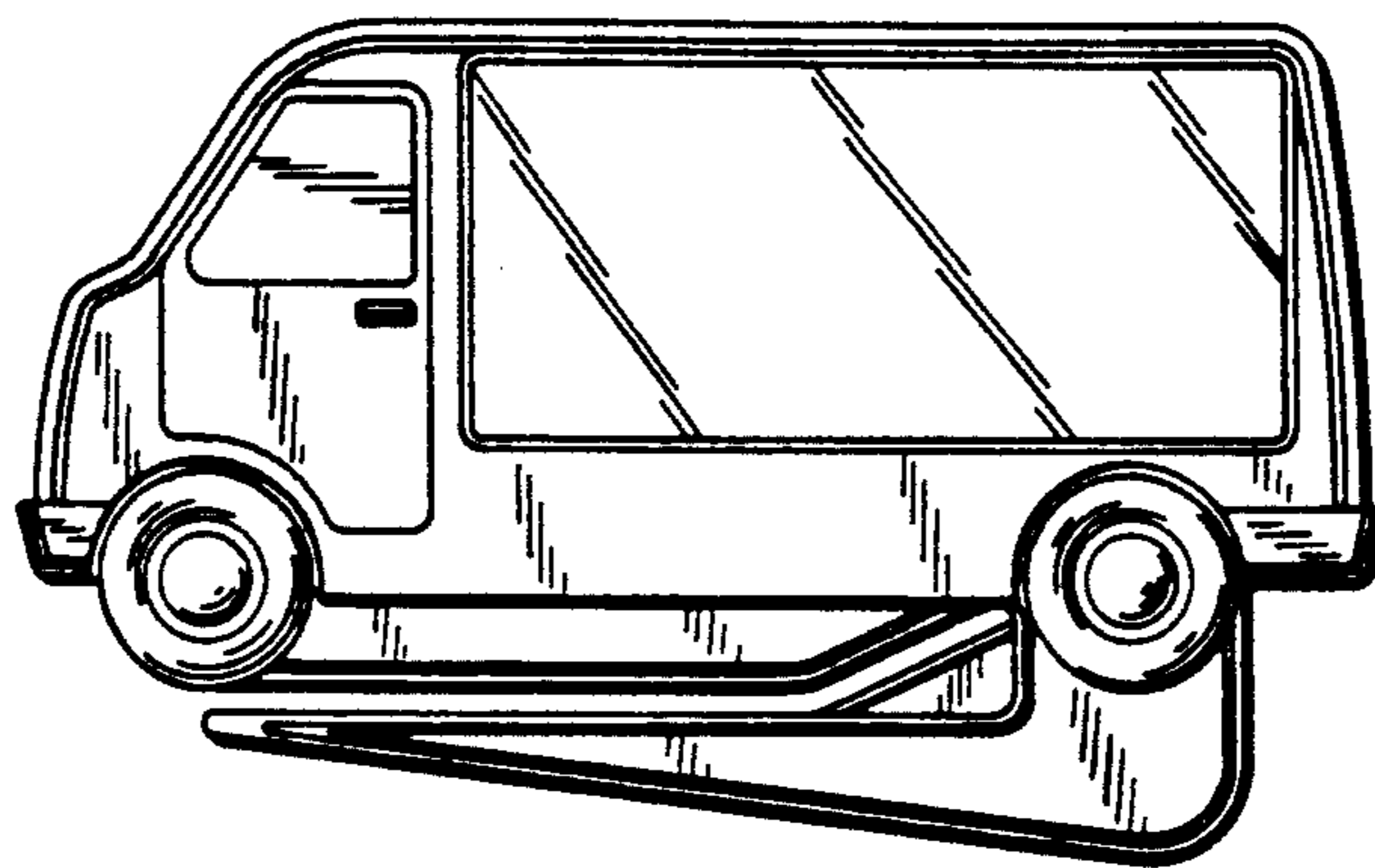


FIG. 2

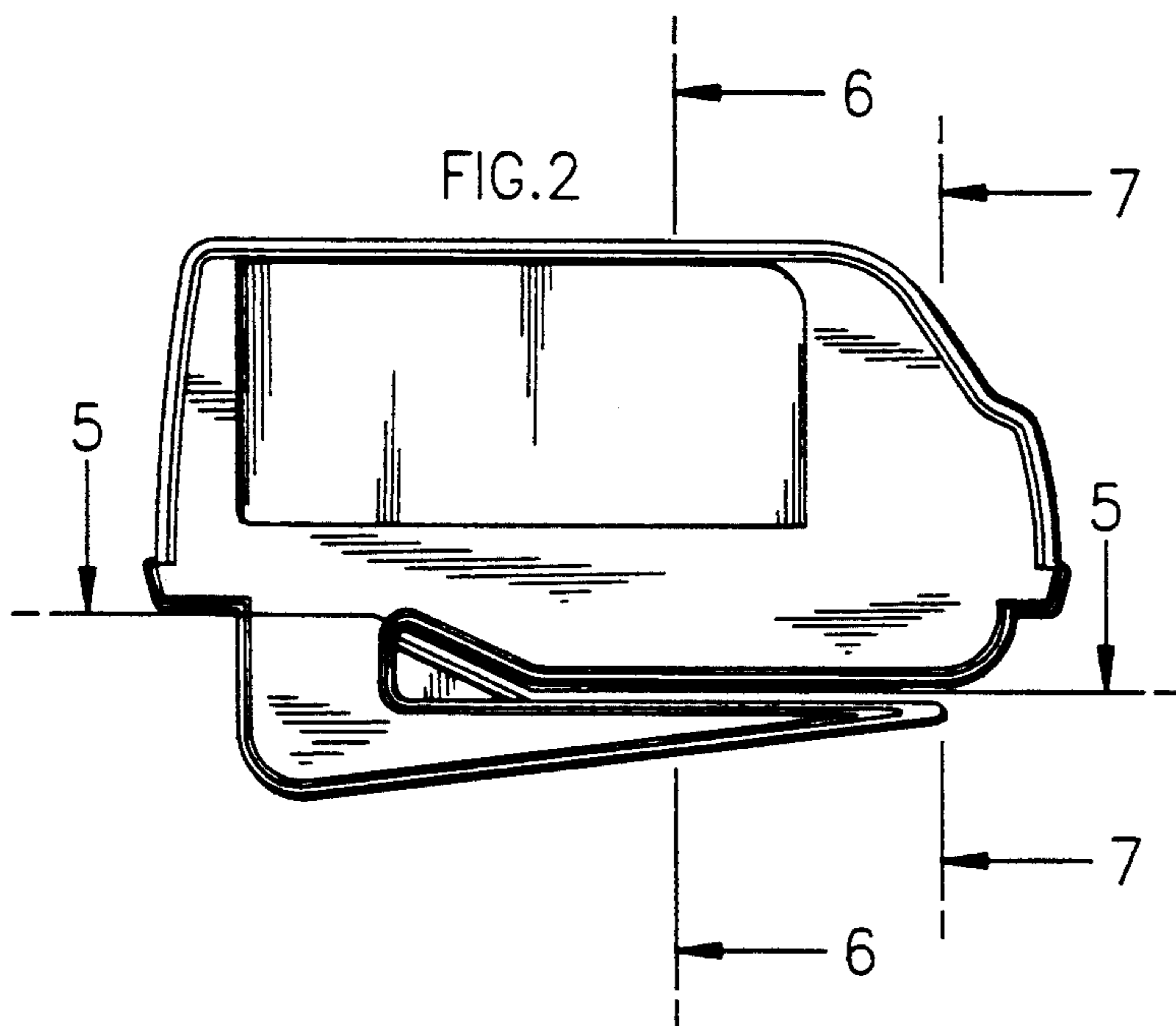


FIG. 3

FIG. 4



FIG. 6

FIG. 7



FIG. 5

