



US00D341305S

# United States Patent [19]

[11] Patent Number: **Des. 341,305**

**Svetlik**

[45] Date of Patent: **\*\* Nov. 16, 1993**

[54] **SET OF ROUTER HANDLES**

[75] Inventor: **Kenneth N. Svetlik, Schaumburg, Ill.**

[73] Assignee: **Skil and S-B Power Tool Company, Chicago, Ill.**

[\*\*] Term: **14 Years**

[21] Appl. No.: **742,946**

[22] Filed: **Aug. 9, 1991**

[52] U.S. Cl. .... **D8/70**

[58] Field of Search ..... **D8/107, 70, 67; 144/134 D, 136 C; 409/182**

[56] **References Cited**

**U.S. PATENT DOCUMENTS**

D. 281,218	11/1985	Barrett	.....	D8/67
D. 286,132	10/1986	Yamamoto	.....	D8/67
3,363,510	1/1968	Burrows et al.	.....	D8/67

*Primary Examiner*—Alan P. Douglas  
*Assistant Examiner*—J. H. Musgrove  
*Attorney, Agent, or Firm*—Jones, Day, Reavis & Pogue

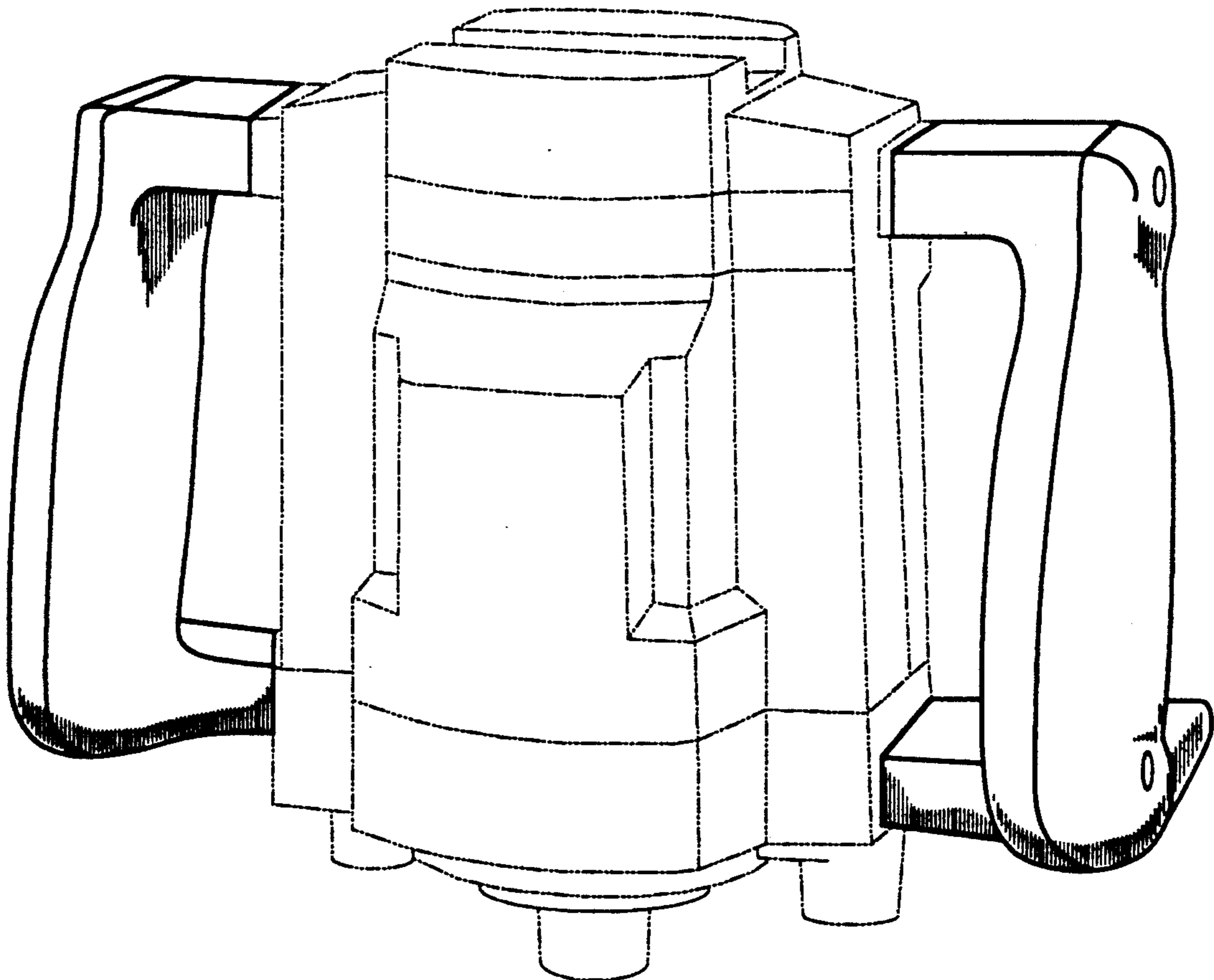
[57] **CLAIM**

The ornamental design for set of router handles, as shown and described.

**DESCRIPTION**

FIG. 1 is a perspective view of a set of router handles showing my new design; FIG. 2 is a front view of the set of router handles; FIG. 3 is a back side view of the set of router handles; FIG. 4 is a right side view of the set of router handles; FIG. 5 is a left view of the set of router handles; FIG. 6 is a top view of the set of router handles; and, FIG. 7 is a bottom view of the set of router handles.

The broken line showing of a router in the figures above is for illustrative purposes only and forms no part of the claimed design.



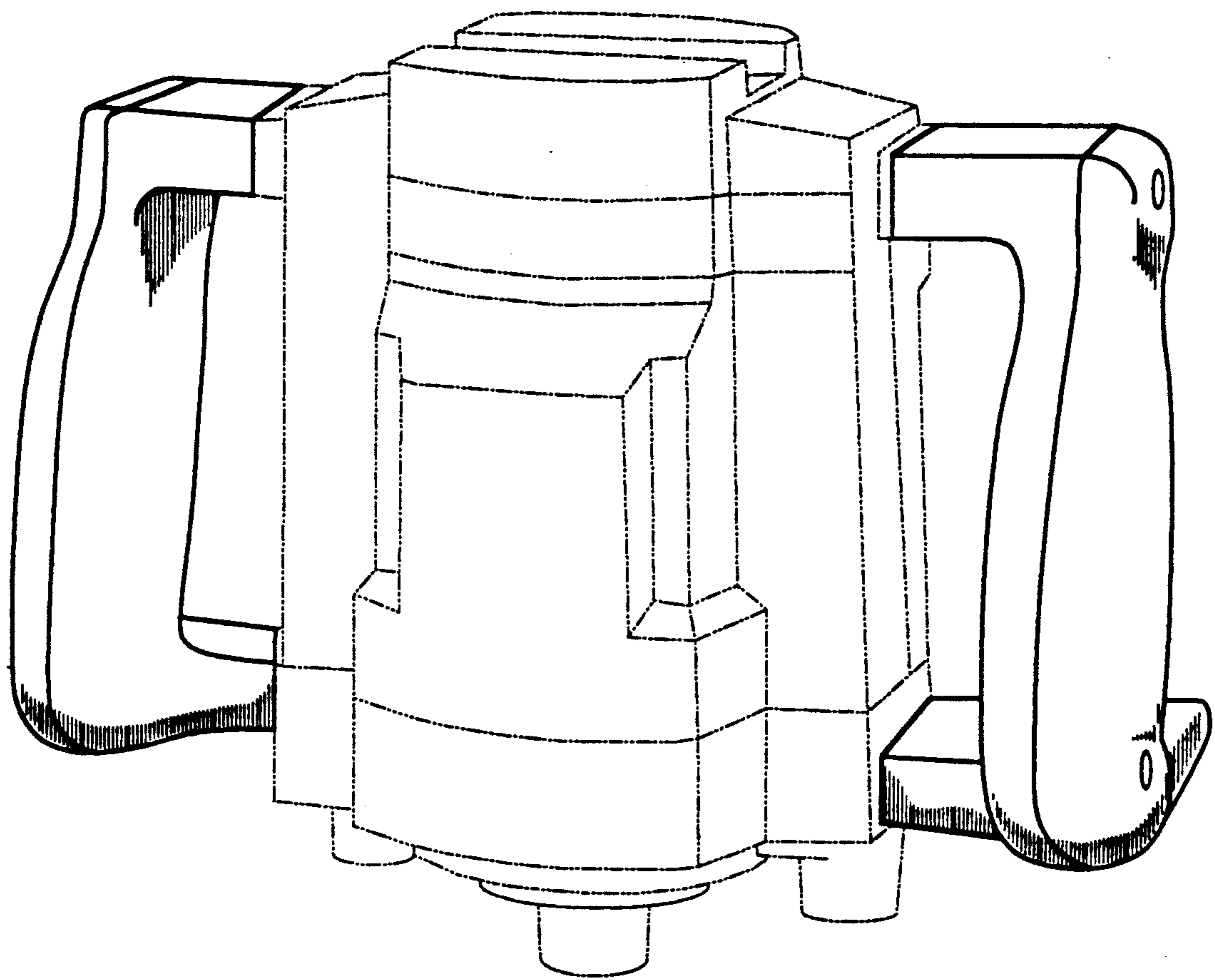


Fig. 1

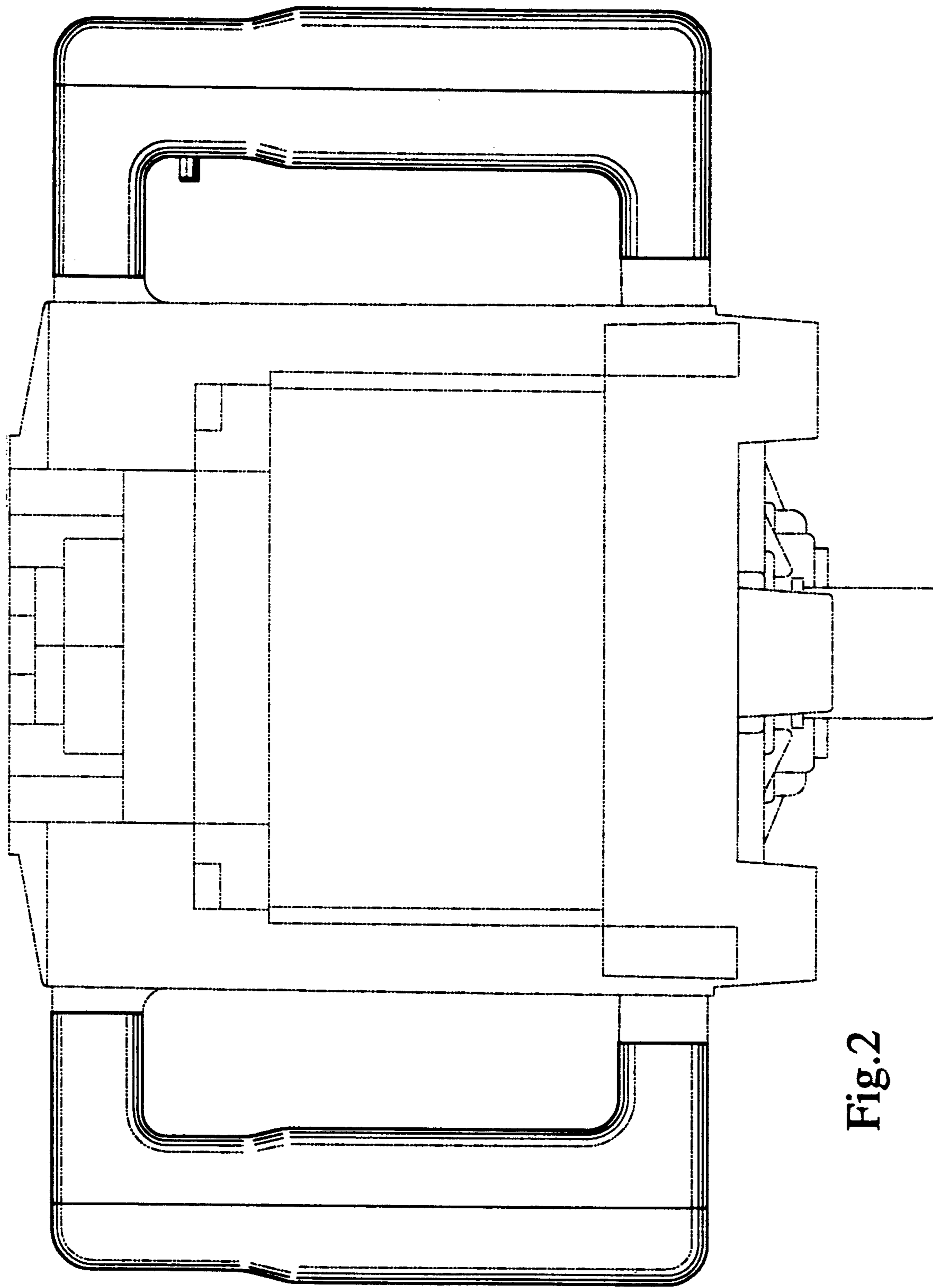


Fig. 2

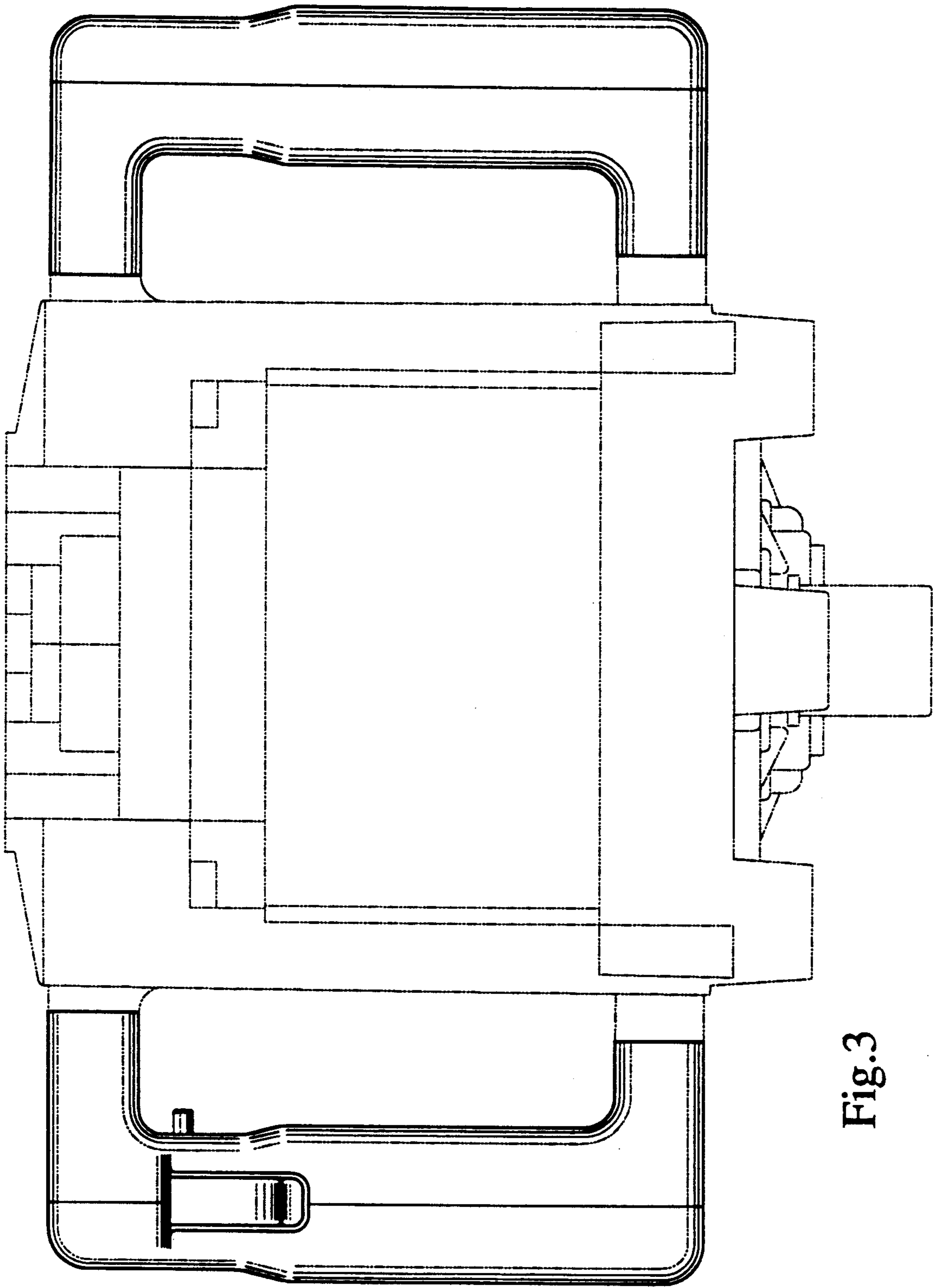


Fig.3

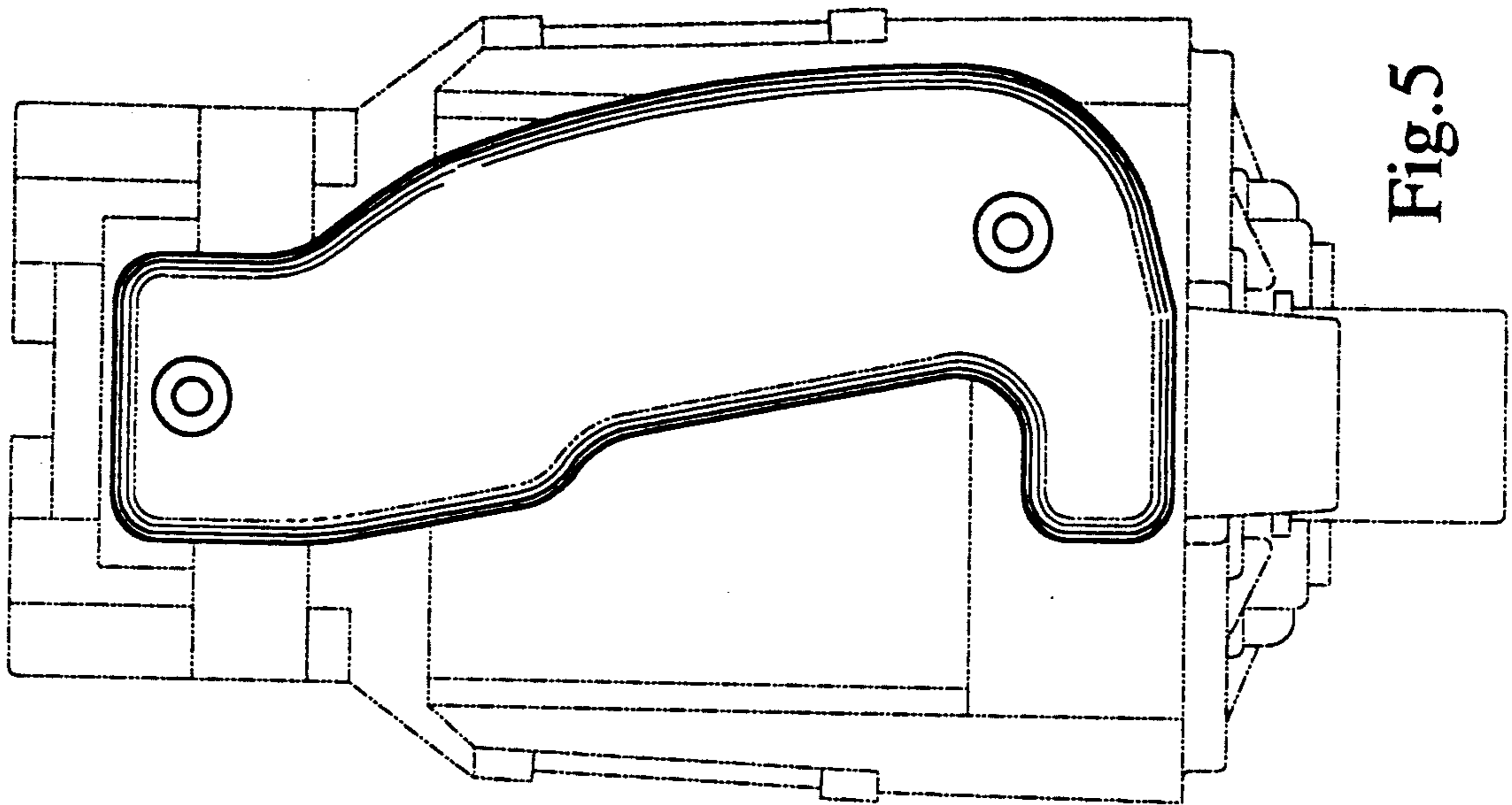


Fig.5

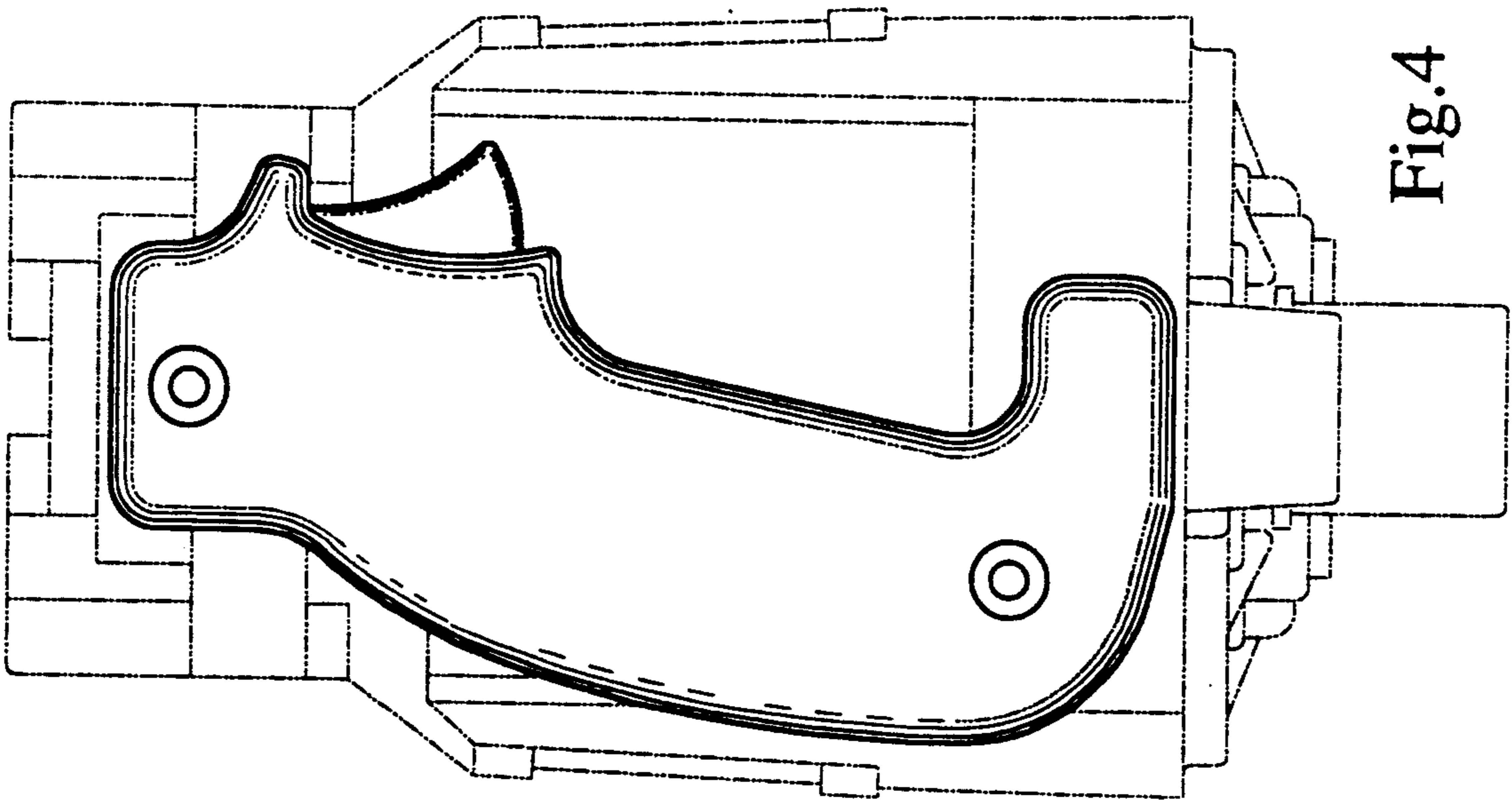


Fig.4

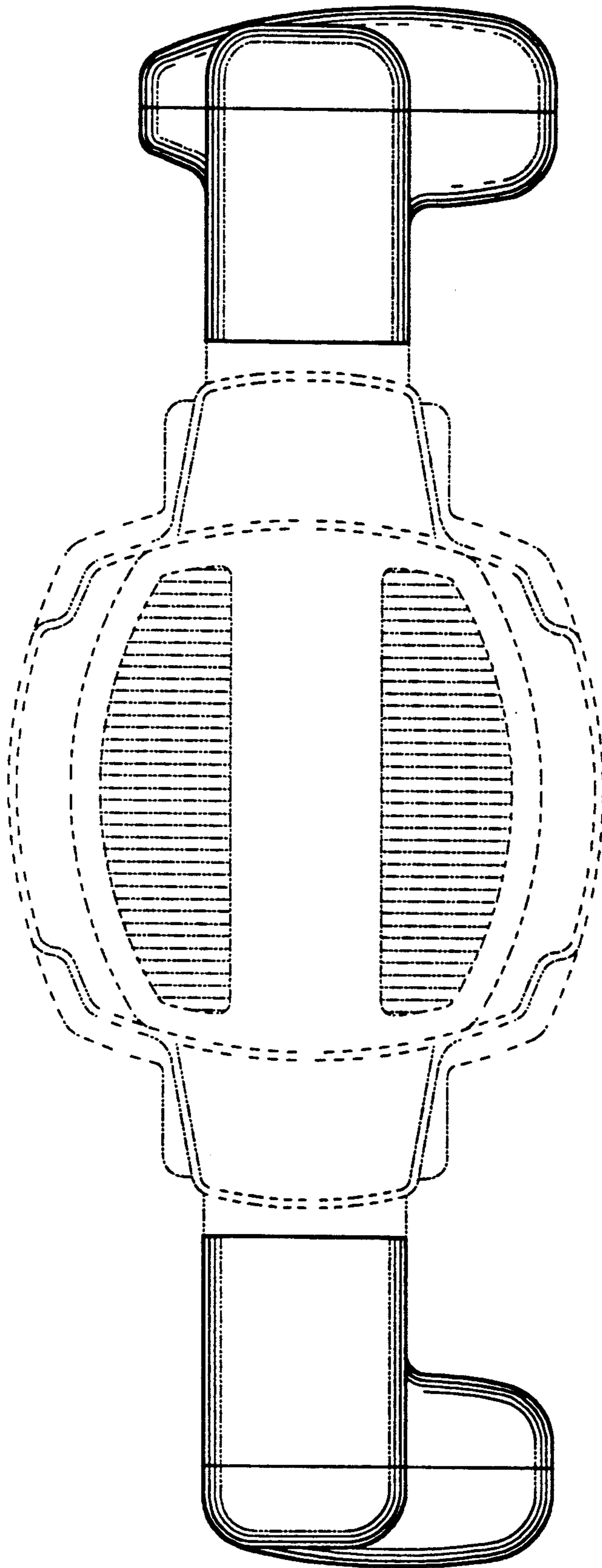


Fig. 6

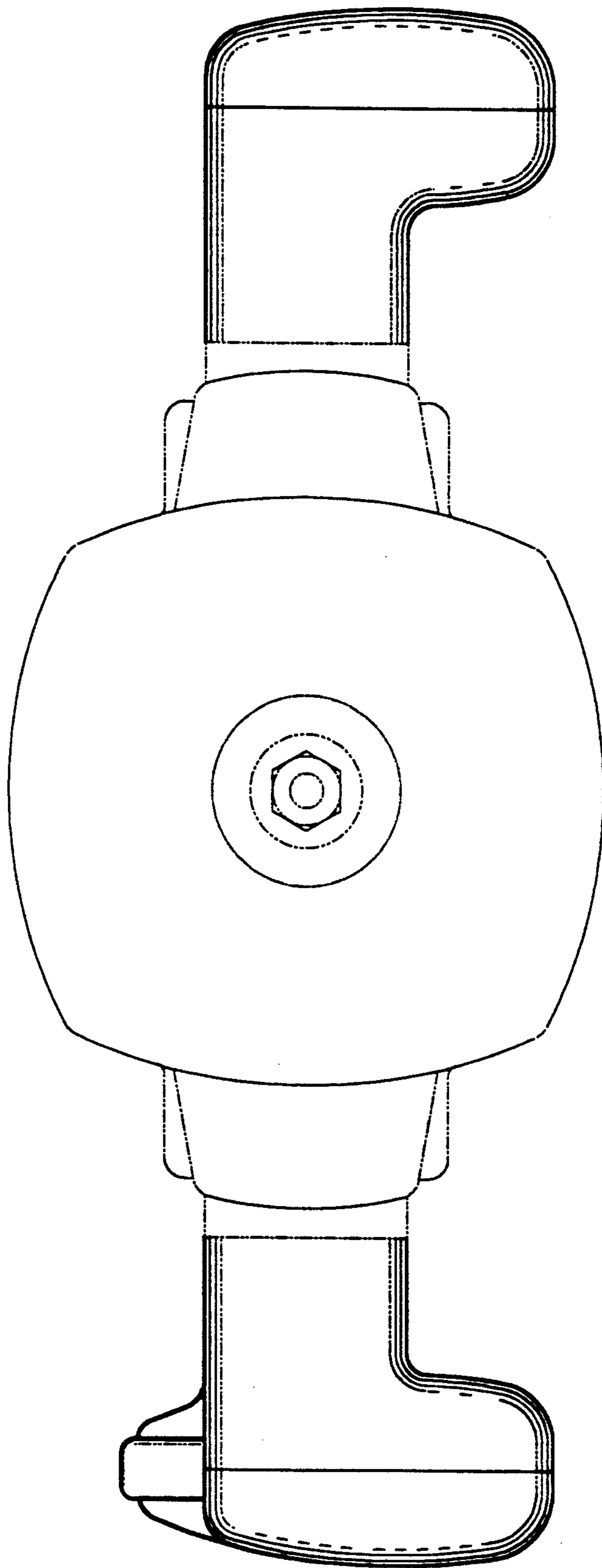


Fig.7