



US00D341299S

United States Patent [19]

[11] Patent Number: **Des. 341,299**

Gomez

[45] Date of Patent: **** Nov. 16, 1993**

[54] **GARDEN RAKE PRONG CLEANER**

4,776,158 10/1988 Baum .

[76] Inventor: **Isabell Gomez**, 216 Patterson St.,
Ogden, Utah 84401

Primary Examiner—Wallace R. Burke
Assistant Examiner—H. Baynham
Attorney, Agent, or Firm—Terry M. Gernstein

[**] Term: **14 Years**

[57] **CLAIM**

[21] Appl. No.: **533,661**

The ornamental design for a garden rake prong cleaner,
as shown and described.

[22] Filed: **Jun. 5, 1990**

[52] U.S. Cl. **D8/1**

[58] Field of Search **D8/13, 1; 56/400.08,**
56/400.16; 294/50

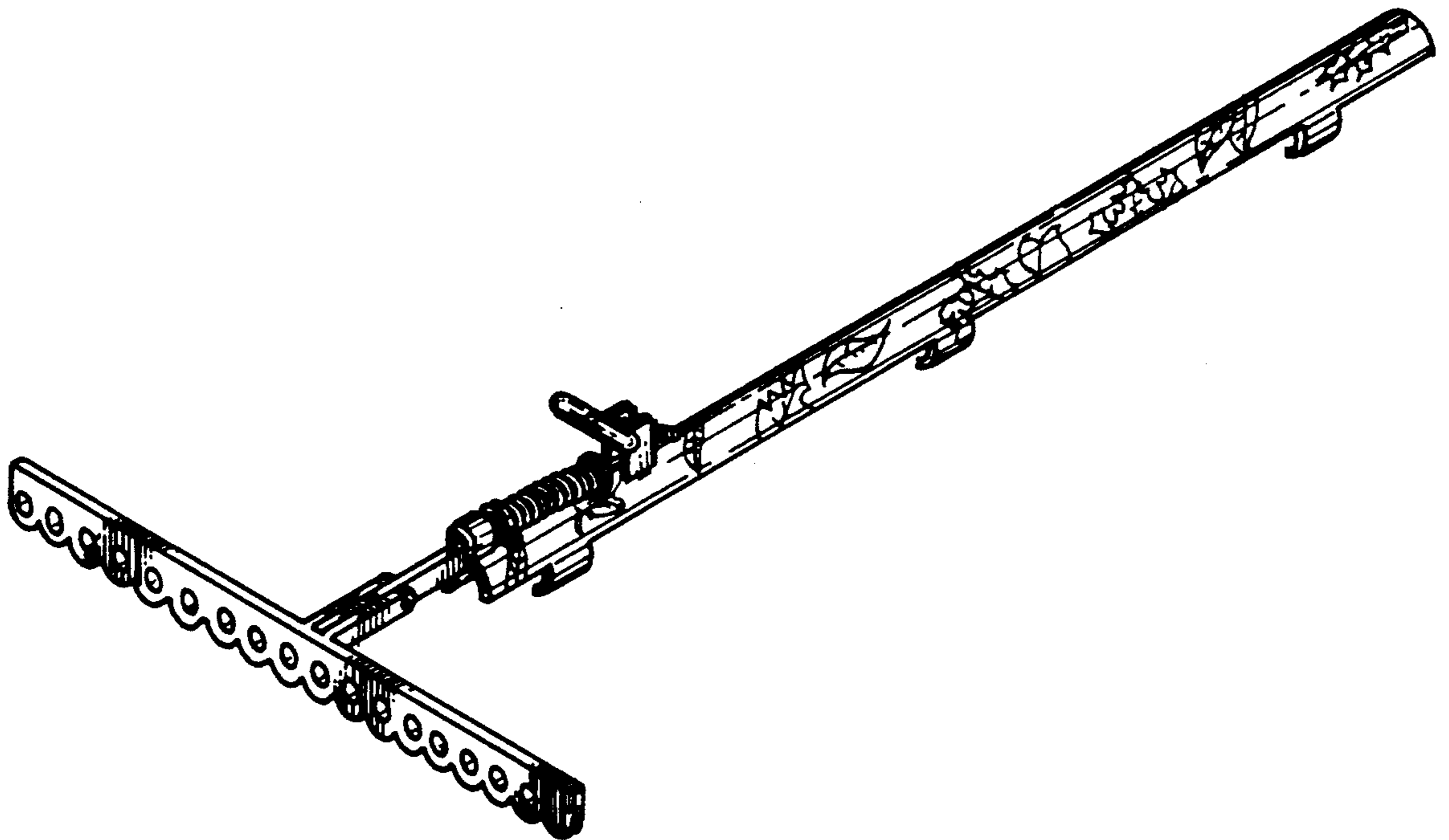
DESCRIPTION

[56] **References Cited**

U.S. PATENT DOCUMENTS

1,254,041	1/1918	Hoel .	
1,259,803	3/1918	Thompson .	
1,651,291	11/1927	Popp et al.	56/400.08
1,716,031	6/1929	Comstock	56/400.08
1,743,883	1/1930	DeRoy	56/400.08
2,002,484	5/1935	Zimmerman	56/400.08

FIG. 1 is a perspective view of a garden rake prong cleaner showing my new design;
FIG. 2 is an enlarged fragmentary perspective view thereof;
FIG. 3 is a front elevational view thereof;
FIG. 4 is a rear elevational view thereof;
FIG. 5 is a side elevational view thereof with the opposite side being a mirror image thereof;
FIG. 6 is a top plan view thereof; and,
FIG. 7 is a bottom plan view thereof.



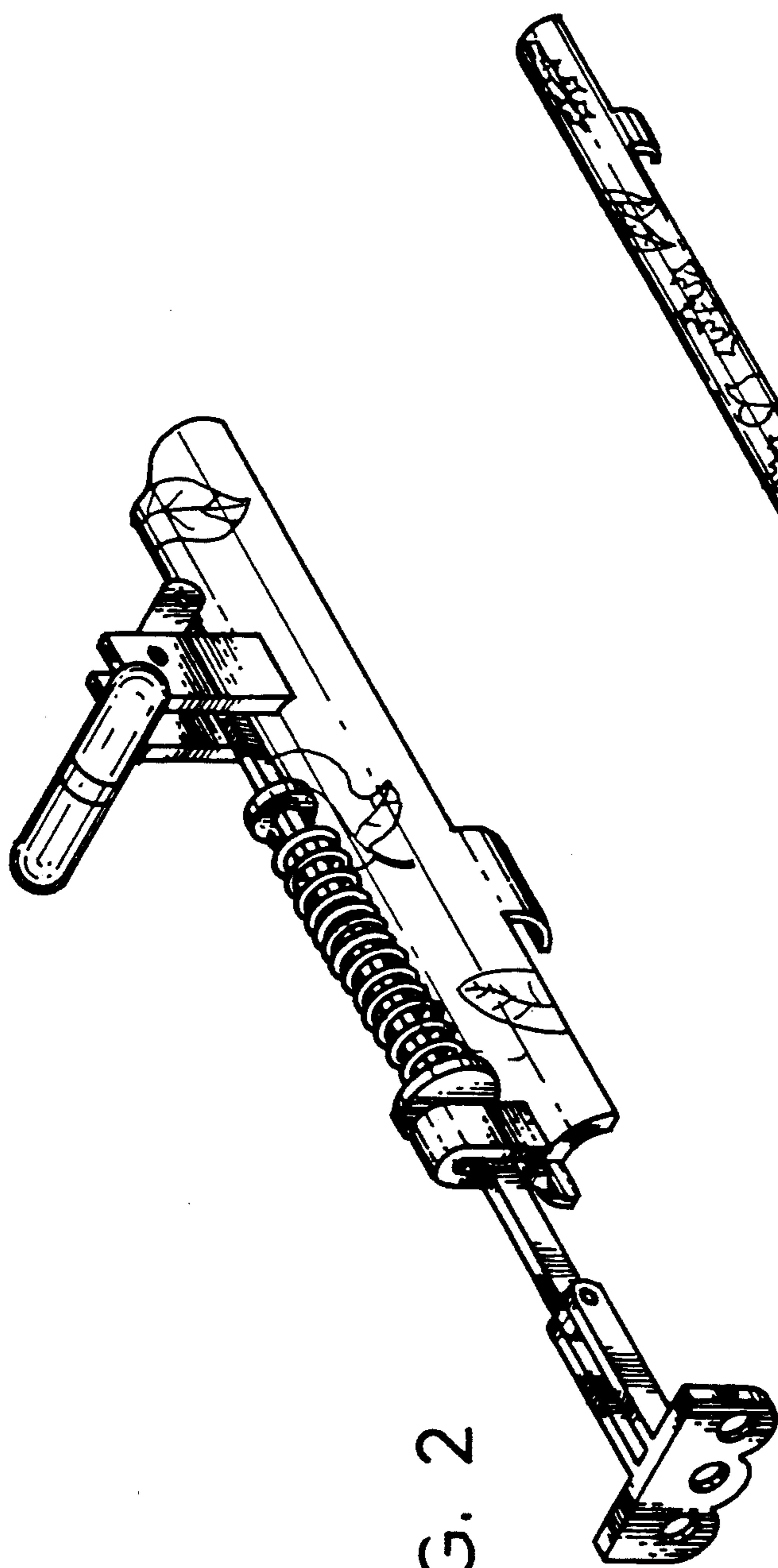


FIG. 2

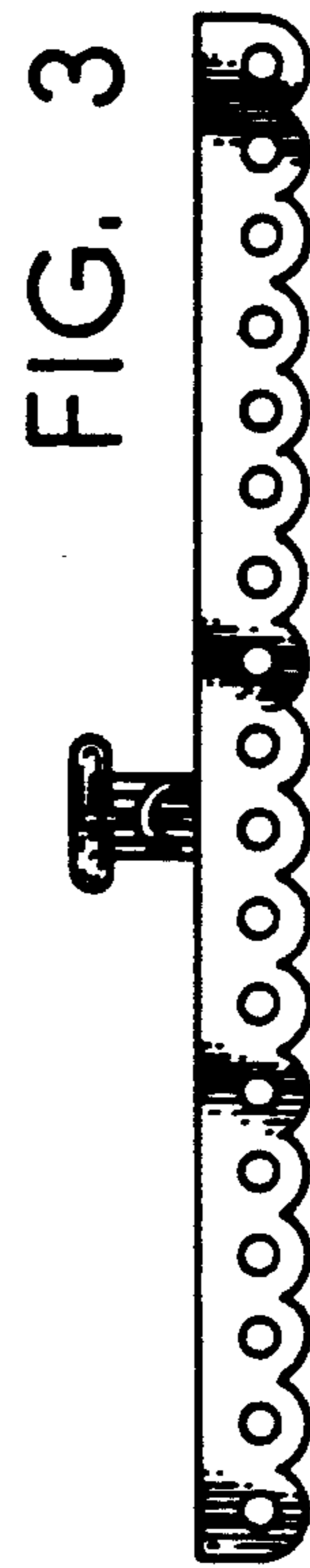


FIG. 3

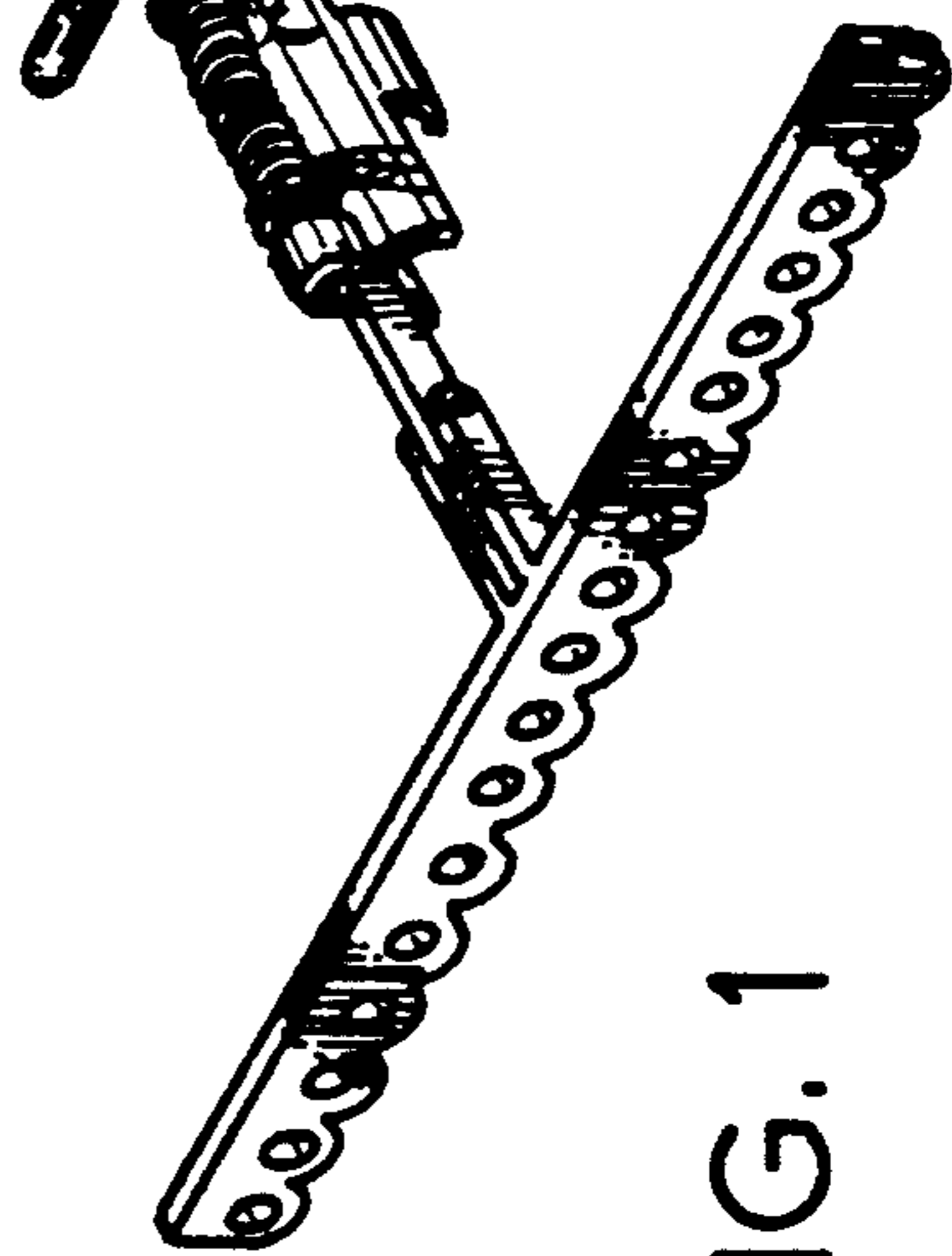


FIG. 1

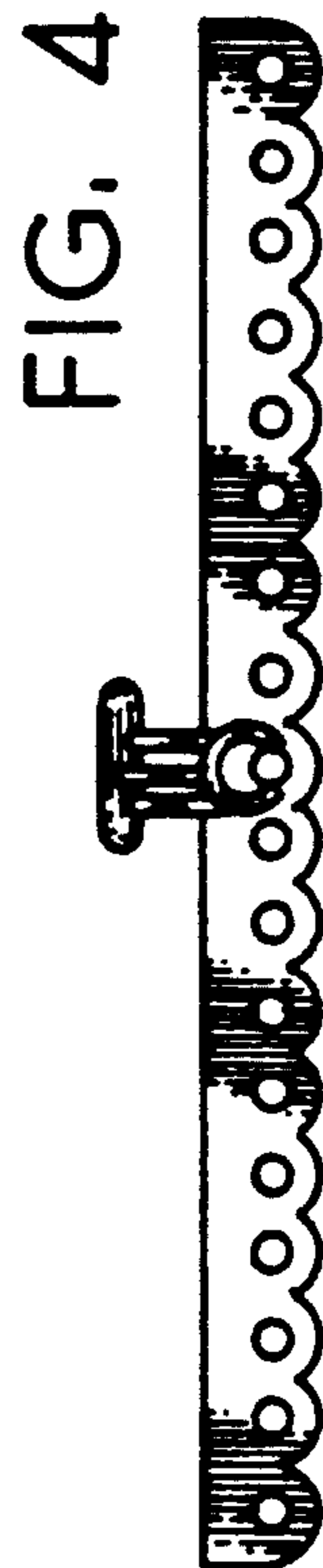


FIG. 4

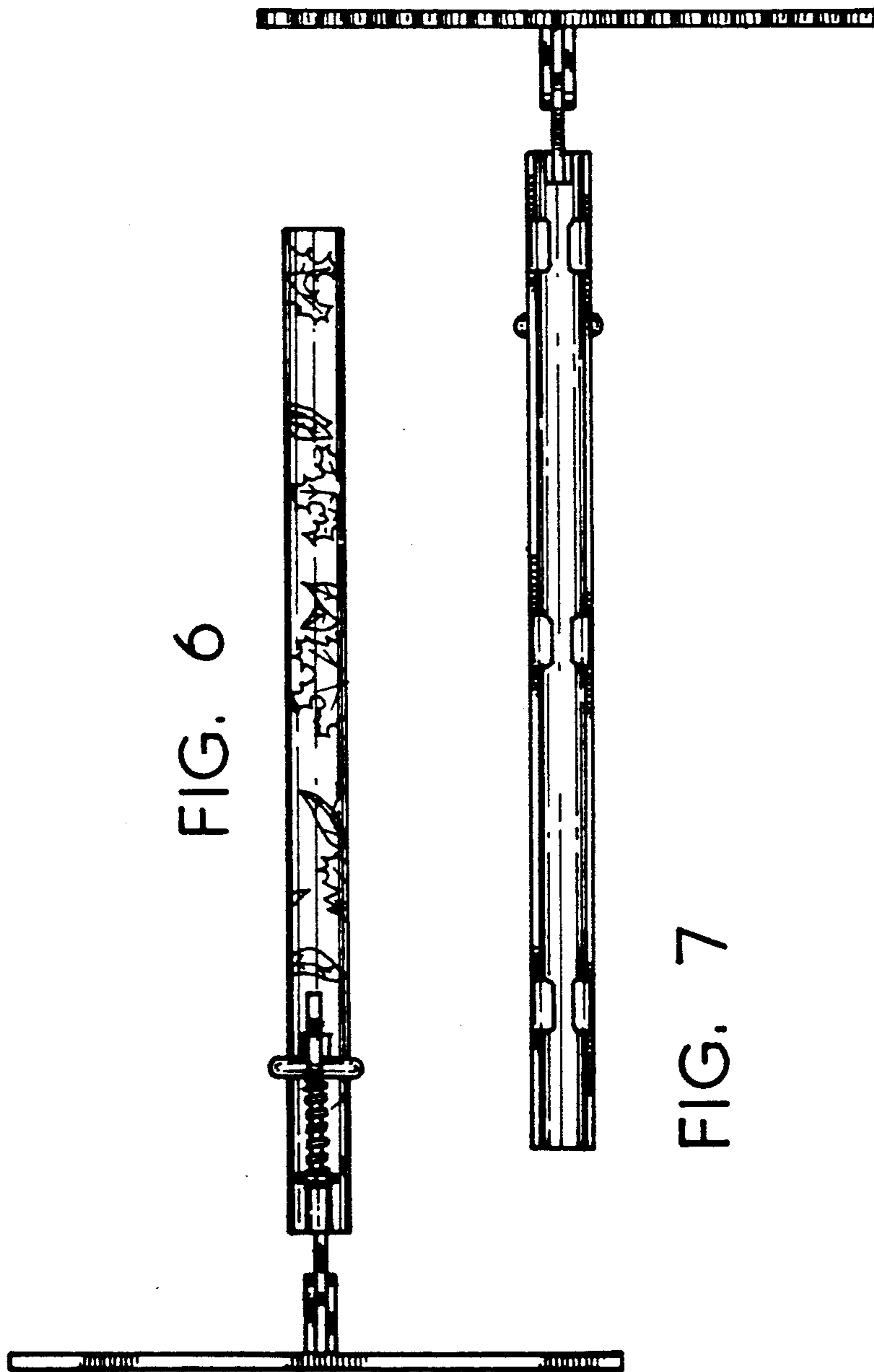


FIG. 6



FIG. 5



FIG. 7