



US00D341298S

United States Patent [19]

[11] Patent Number: **Des. 341,298**

Ancona et al.

[45] Date of Patent: **** Nov. 16, 1993**

[54] **CUTTING BOARD**

[76] Inventors: **Bruce Ancona; Jane Ancona**, both of
21 East 22nd St., Apt. 6K, New York
City, N.Y. 10010

[**] Term: **14 Years**

[21] Appl. No.: **915,947**

[22] Filed: **Jul. 24, 1992**

[52] U.S. Cl. **D7/698; D7/553;**
D7/555

[58] Field of Search **D7/698, 699, 500, 551-555;**
D24/226, 227, 229, 230; 209/702; 269/15, 54.5,
289, 291, 302.1, 303, 315, 900; 414/675

[56] **References Cited**

U.S. PATENT DOCUMENTS

D. 34,669	6/1901	Beaumont	D7/698
D. 140,595	3/1945	Browne et al.	D7/698
D. 303,198	9/1989	Schorn	D7/698

830,764	9/1906	Braymer	D7/698 X
1,099,822	6/1914	Sager	269/302.1 X
1,771,294	7/1930	Hackett	269/289 X
3,819,064	6/1974	Chandler	414/675
4,261,683	4/1981	Zaleon	D24/229 X

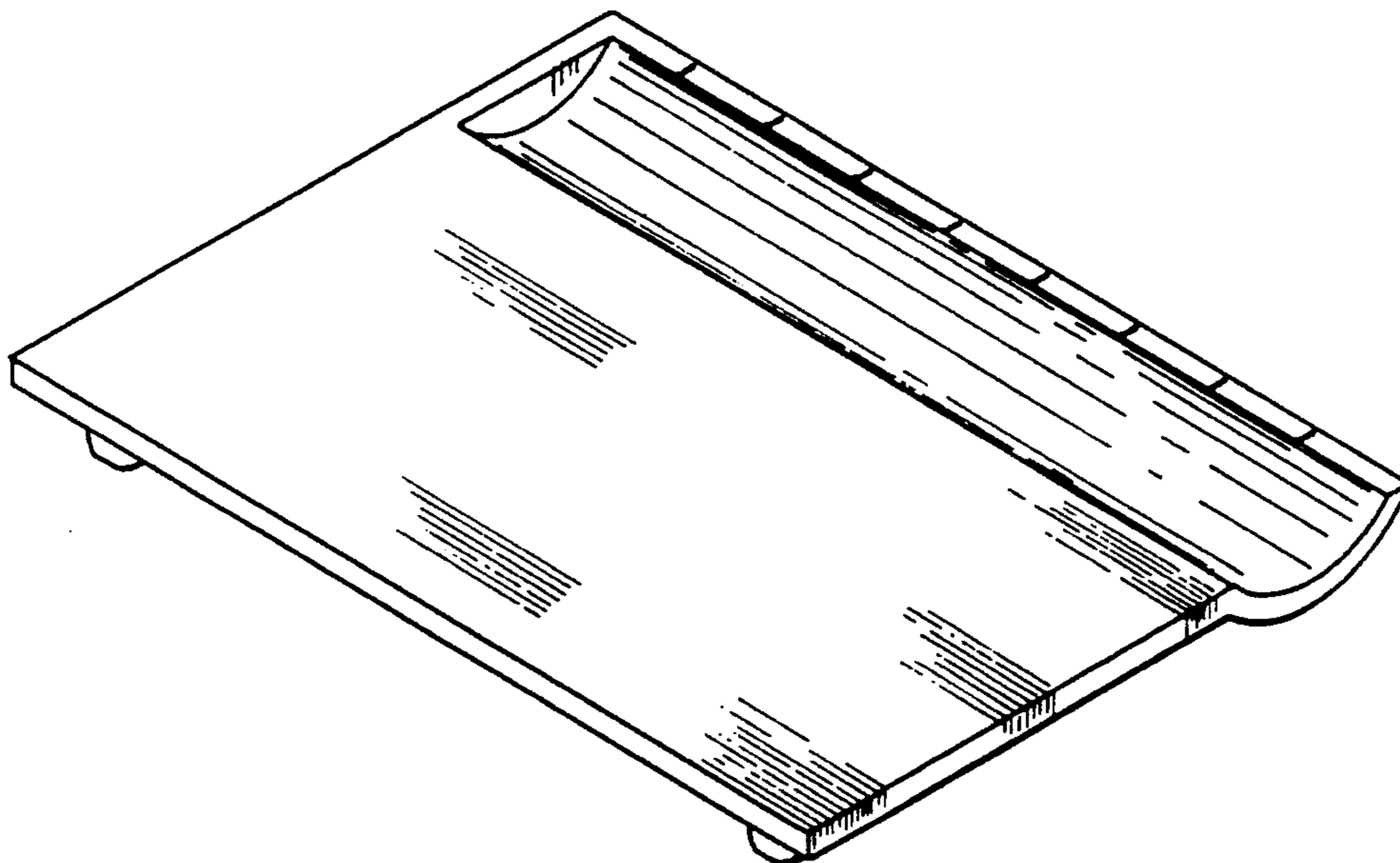
Primary Examiner—Alan P. Douglas
Assistant Examiner—Caron D. Veynar
Attorney, Agent, or Firm—James A. Drobile; Robert A. Koons; Robert Rosenthal

[57] **CLAIM**

The ornamental design for a cutting board, as shown.

DESCRIPTION

FIG. 1 is an isometric view of a cutting board showing our new design;
FIG. 2 is a top plan view thereof;
FIG. 3 is a bottom plan view thereof;
FIG. 4 is a right side elevational view thereof;
FIG. 5 is a left side elevational view thereof;
FIG. 6 is a rear elevational view thereof; and,
FIG. 7 is a front elevational view thereof.



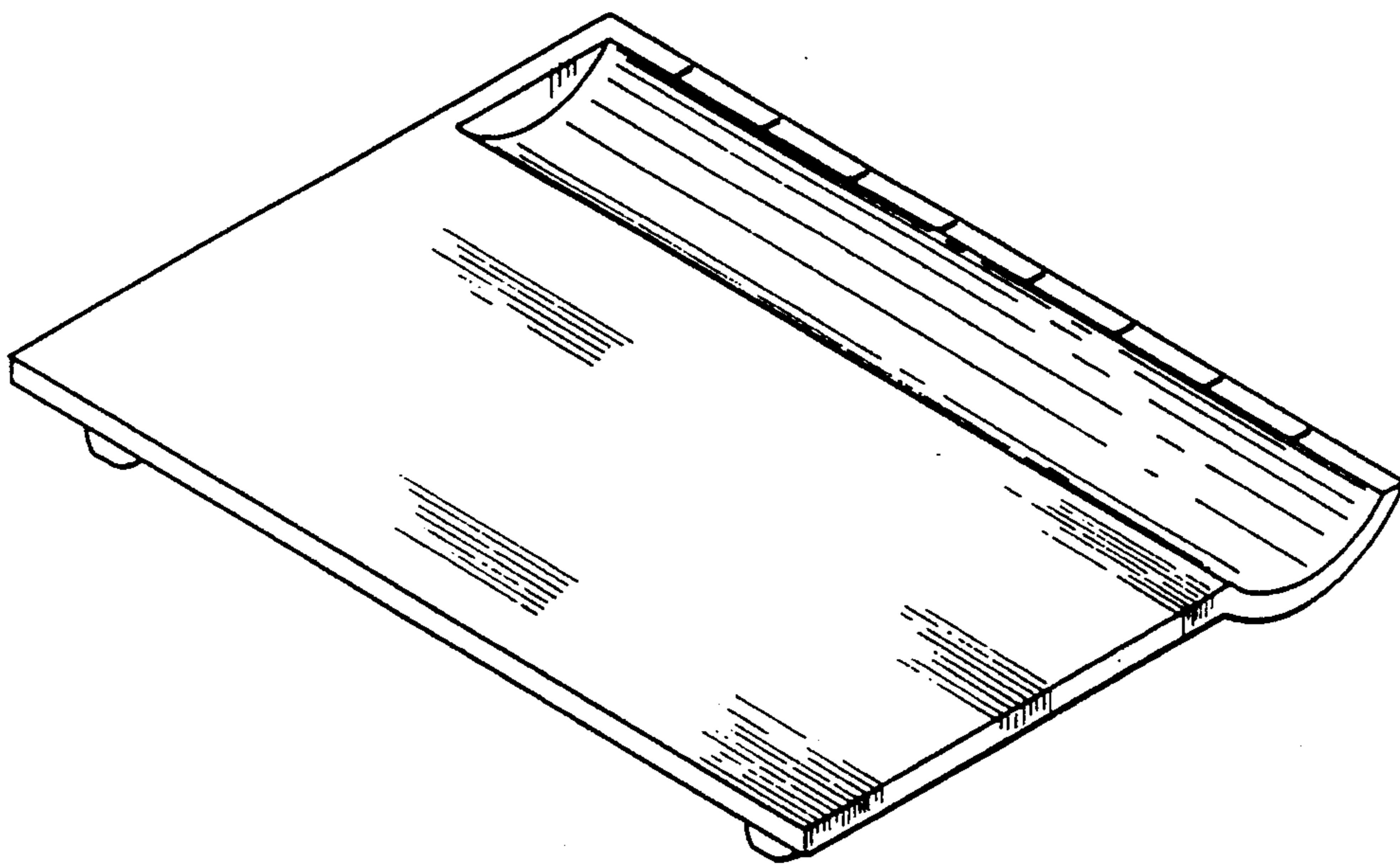


FIG. 1

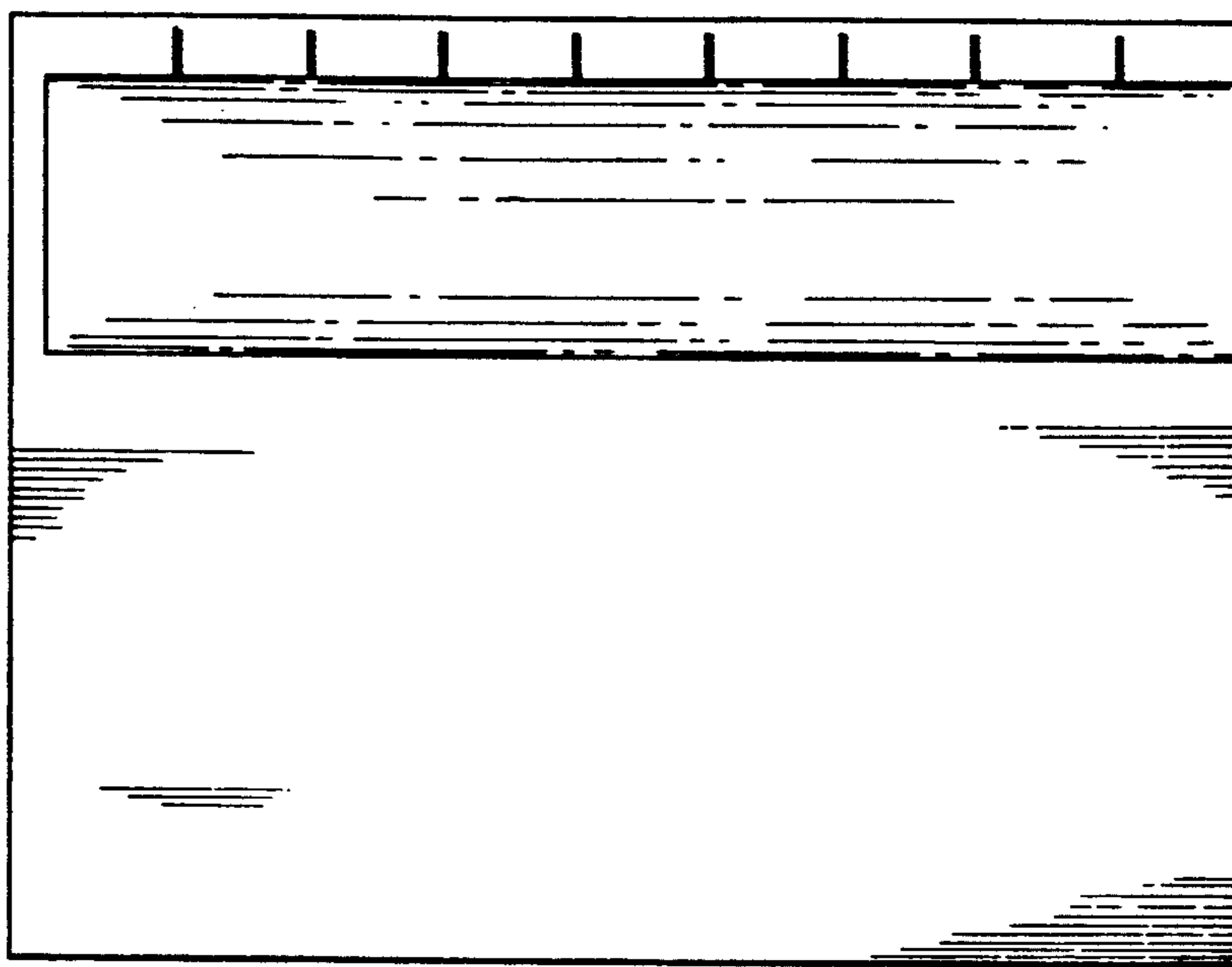


FIG. 2

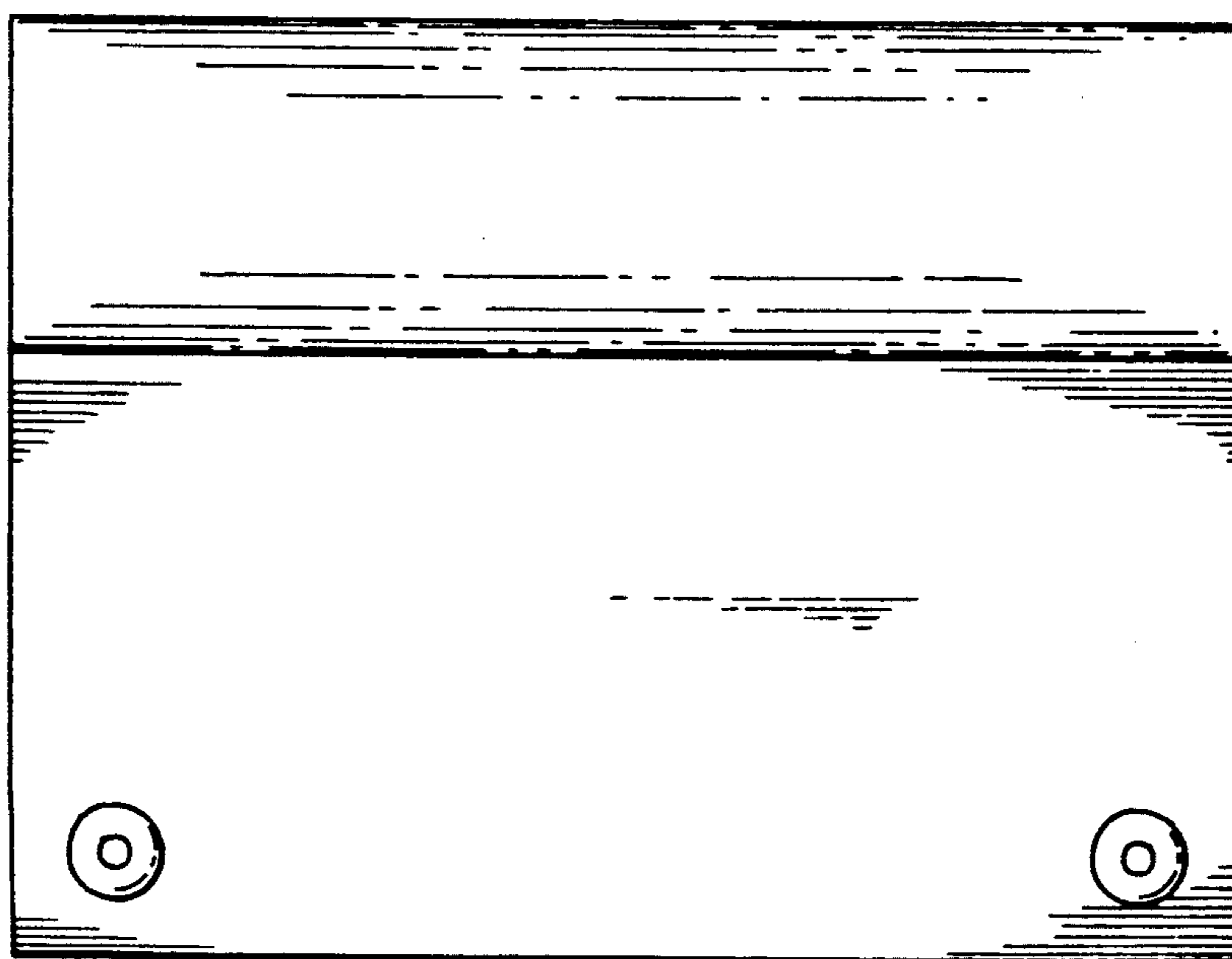


FIG. 3

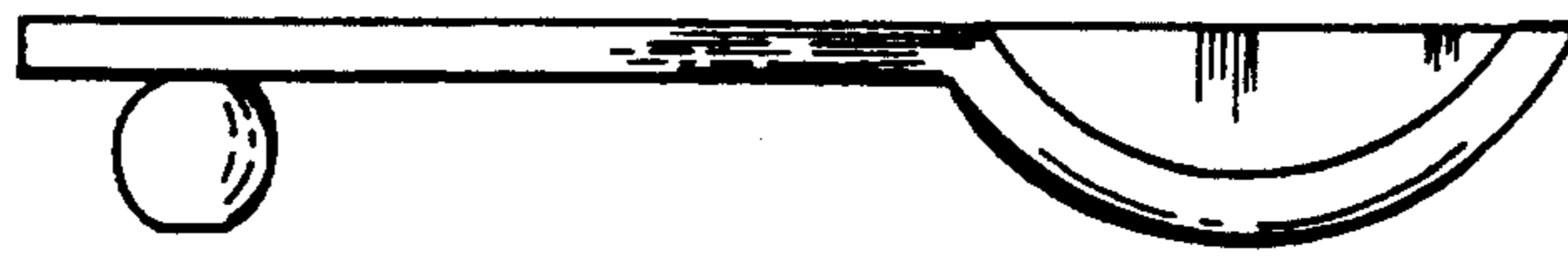


FIG. 4

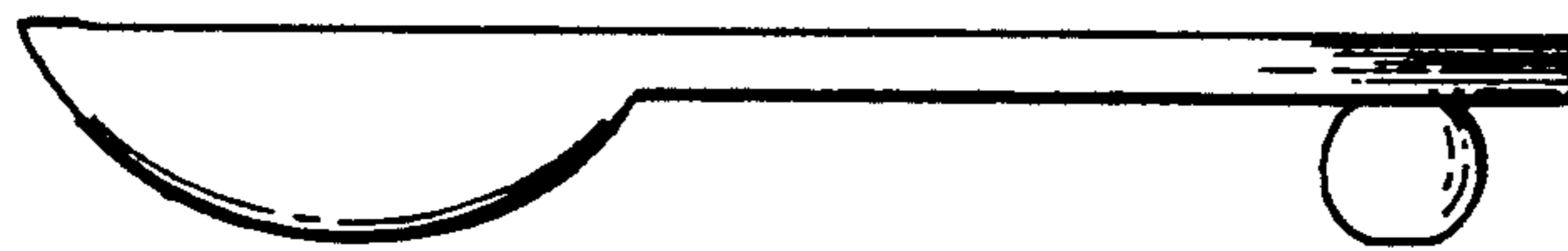


FIG. 5

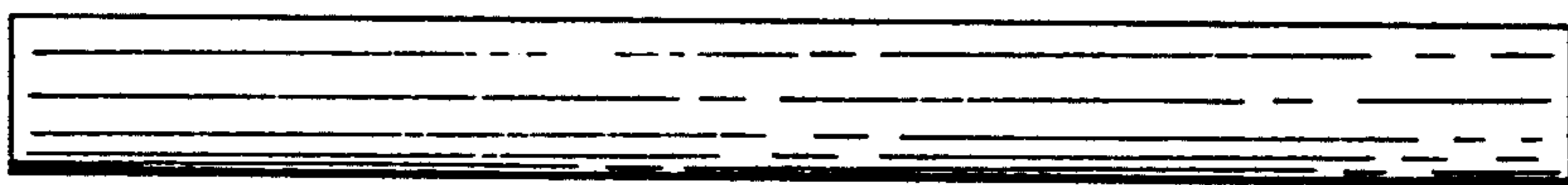


FIG. 6

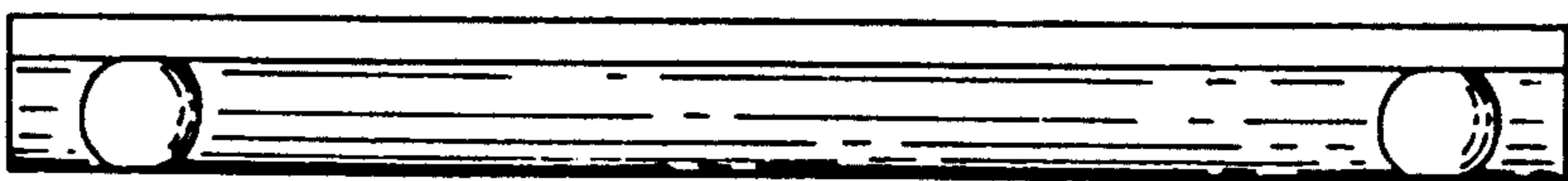


FIG. 7