



US00D341286S

United States Patent [19]

[11] Patent Number: **Des. 341,286**

Grykiewicz et al.

[45] Date of Patent: **** Nov. 16, 1993**

[54] **BREW BASKET**

[75] Inventors: **Shirdan J. Grykiewicz**, Johnstown, Ohio; **Douglas E. McKanna**, Castro Valley, Calif.; **Dean F. Rushmore**, Marysville, Ohio

[73] Assignee: **Nestec S.A.**, Vevey, Switzerland

[**] Term: **14 Years**

[21] Appl. No.: **840,684**

[22] Filed: **Feb. 18, 1992**

[52] U.S. Cl. **D7/400**

[58] Field of Search **D7/400, 399, 308, 305, D7/309, 310, 311, 300; 210/477, 482, 481; 99/277, 295, 300**

[56] **References Cited**

U.S. PATENT DOCUMENTS

D. 241,402 9/1976 Painter **D7/400**

D. 250,445 12/1978 Braun **D7/400**
D. 275,926 10/1984 Corona **D7/399**
D. 288,057 2/1987 Webster **D7/400**
3,811,373 5/1974 Telco **D7/400 X**

Primary Examiner—Alan P. Douglas

Assistant Examiner—M. N. Pandozzi

[57] **CLAIM**

The ornamental design for a brew basket, as shown and described.

DESCRIPTION

FIG. 1 is a top perspective view of a brew basket exploded for clarity of illustration, showing our new design;

FIG. 2 is a top plan view thereof;

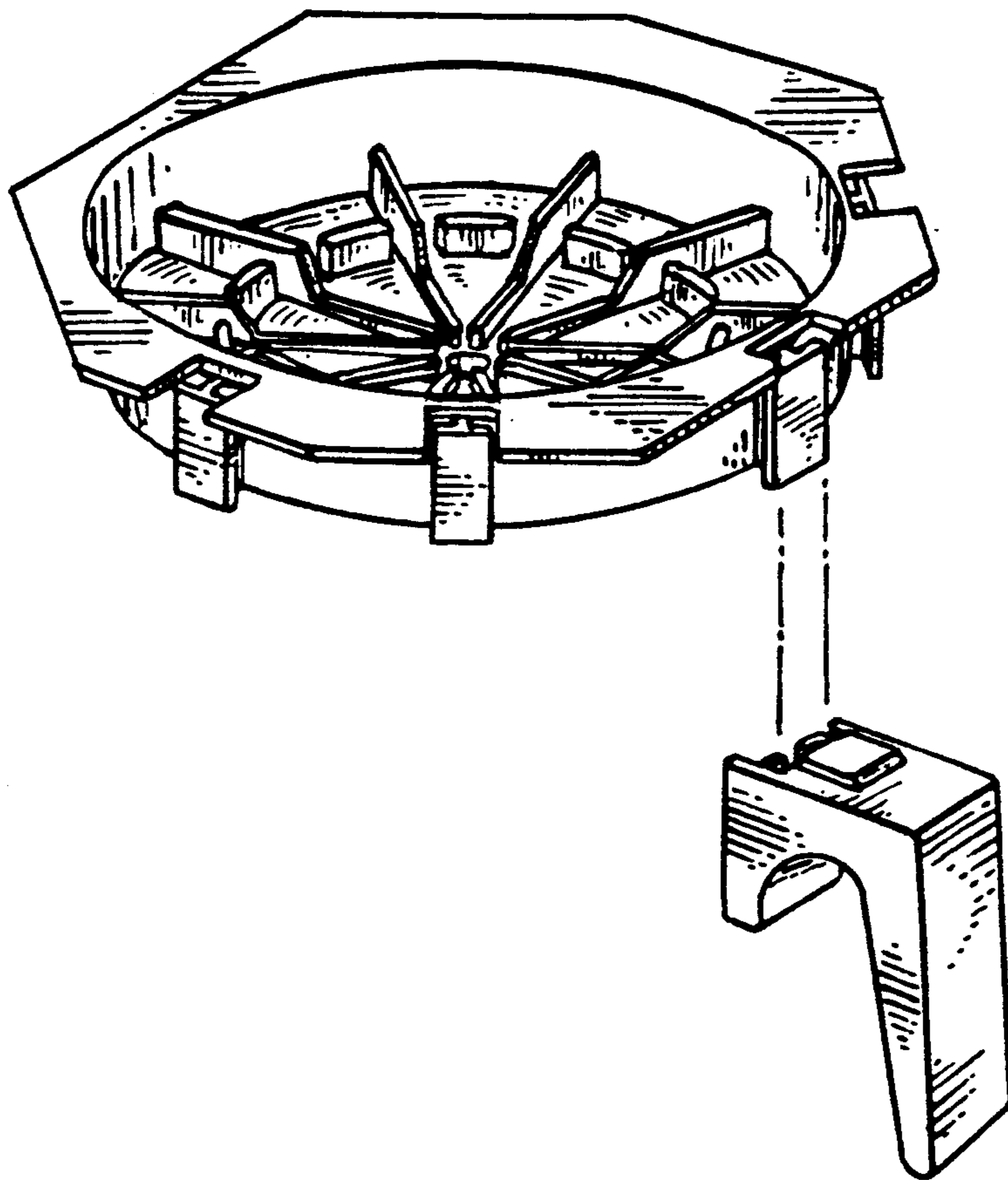
FIG. 3 is a front elevational view thereof;

FIG. 4 is a left side elevational view thereof;

FIG. 5 is a rear elevational view thereof;

FIG. 6 is a right side elevational view thereof; and,

FIG. 7 is a bottom plan view of the brew basket.



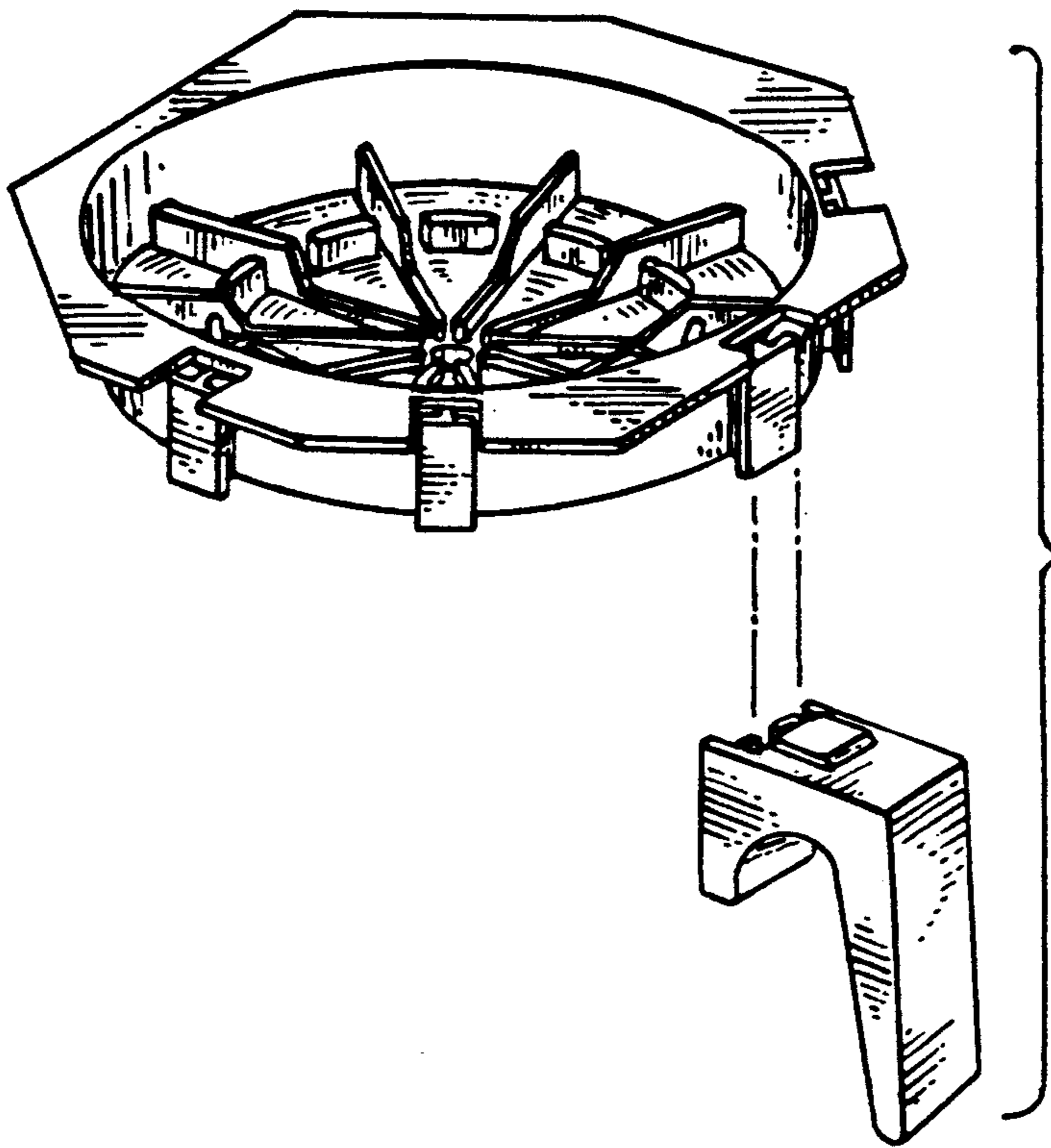


FIG. 1.

FIG. 2.

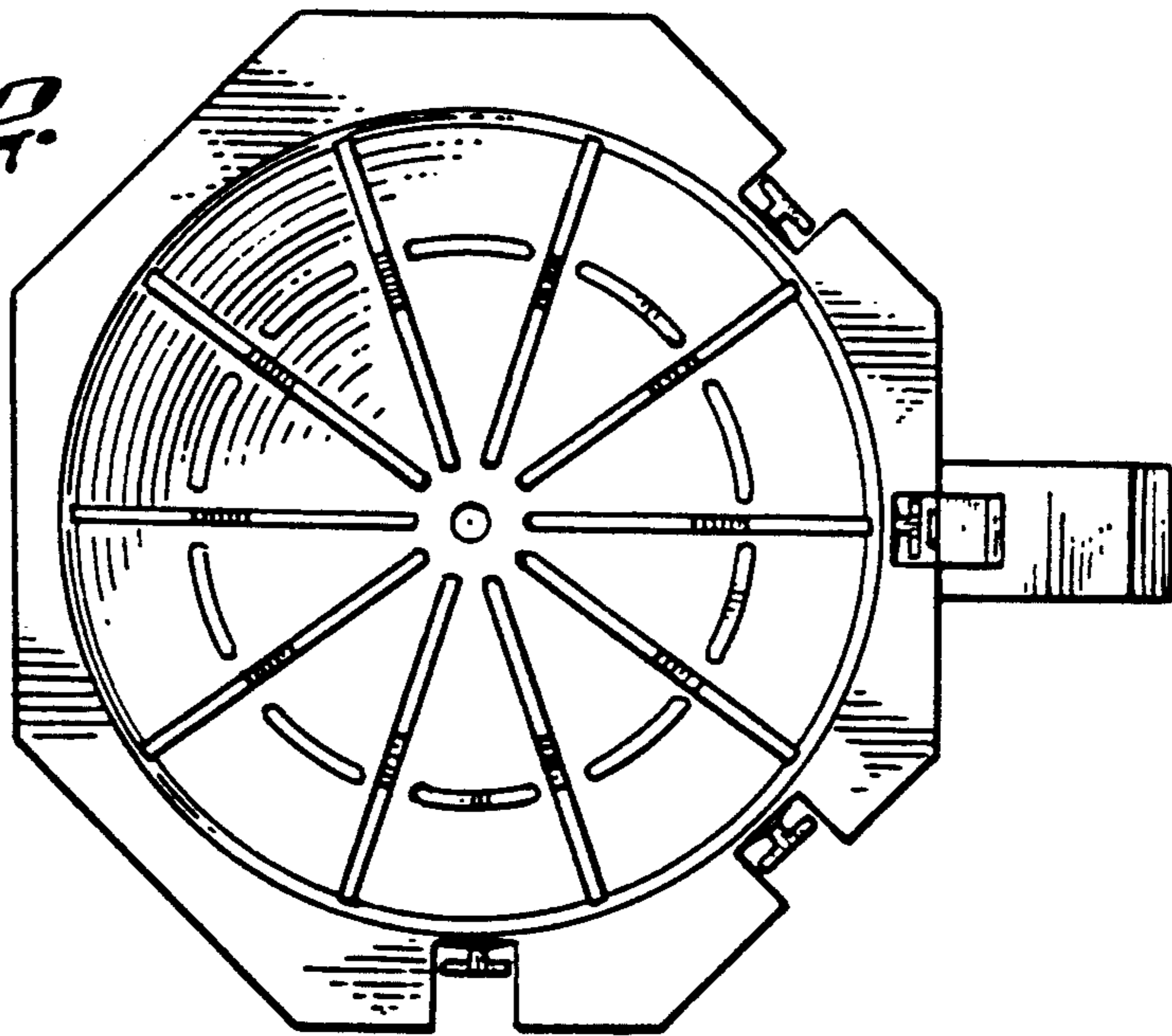


FIG. 3.

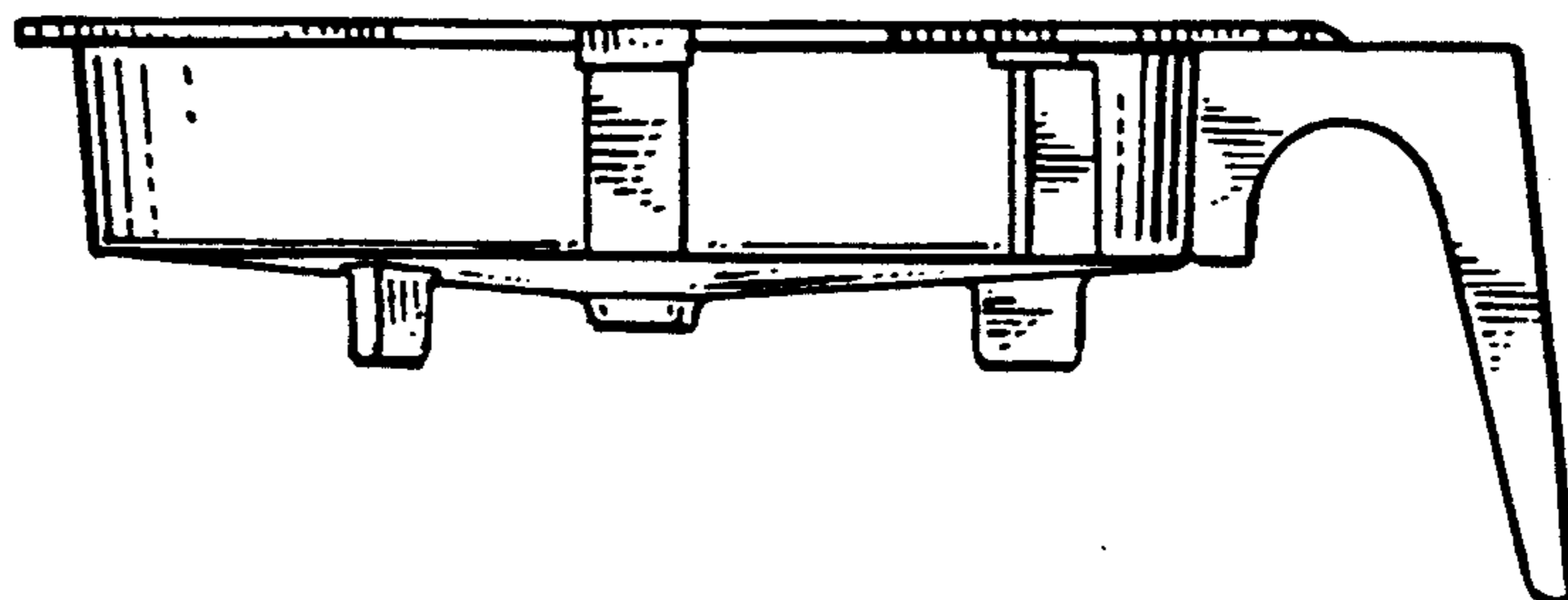


FIG. 4.

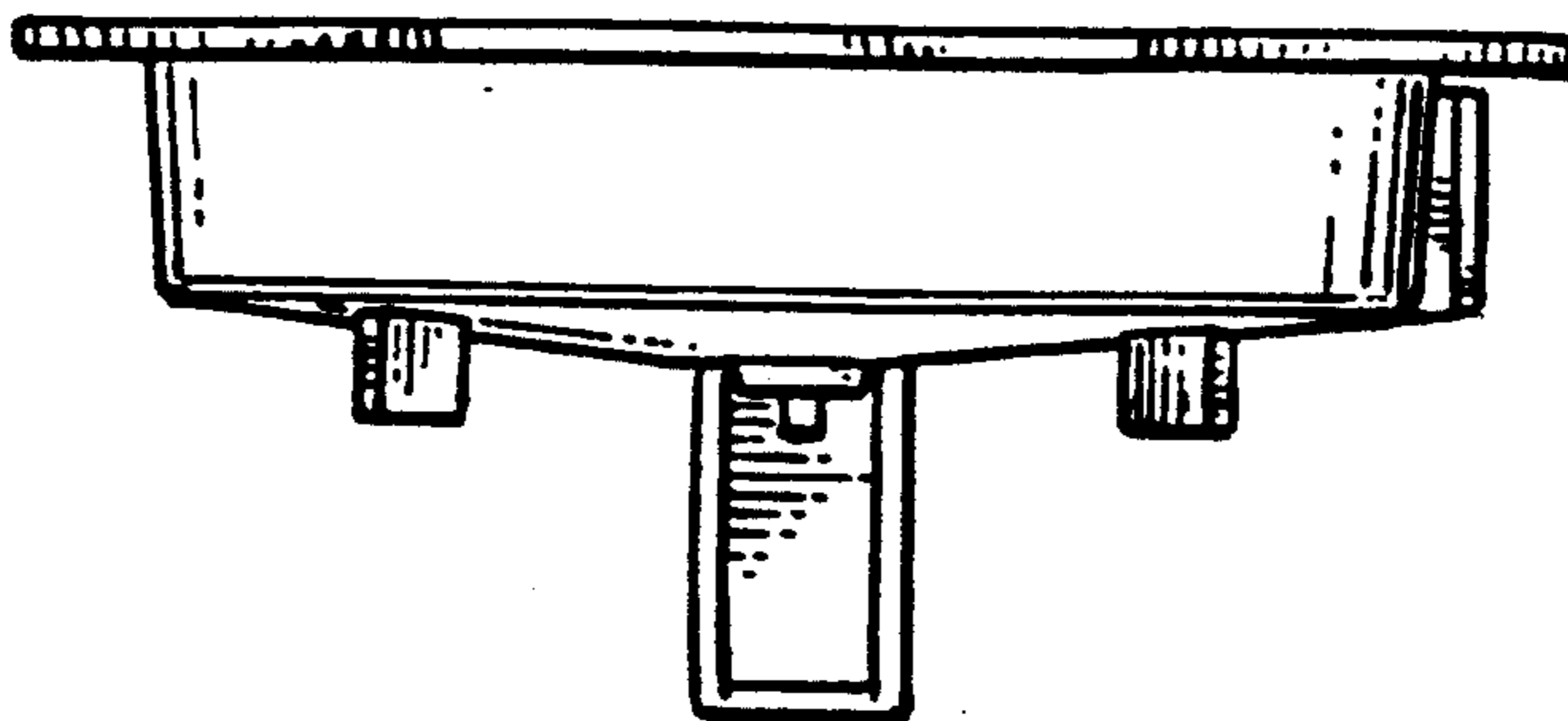


FIG. 5.

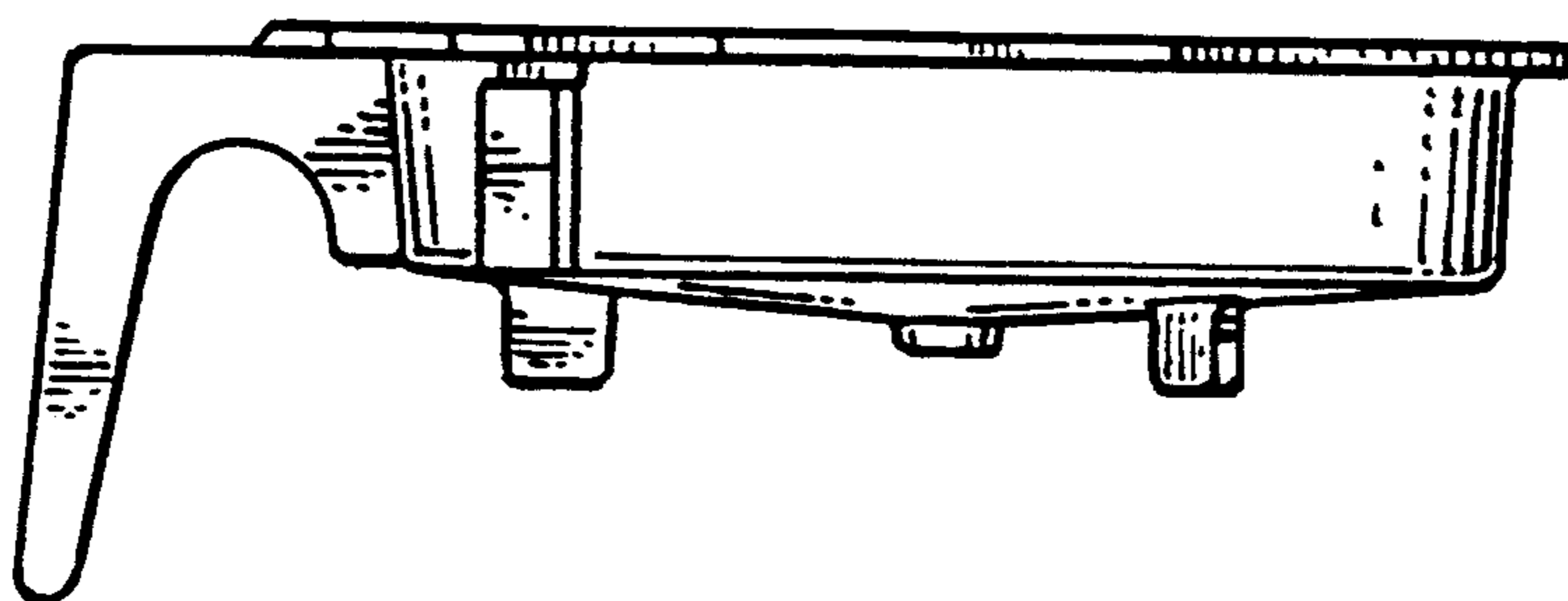


FIG. 6.

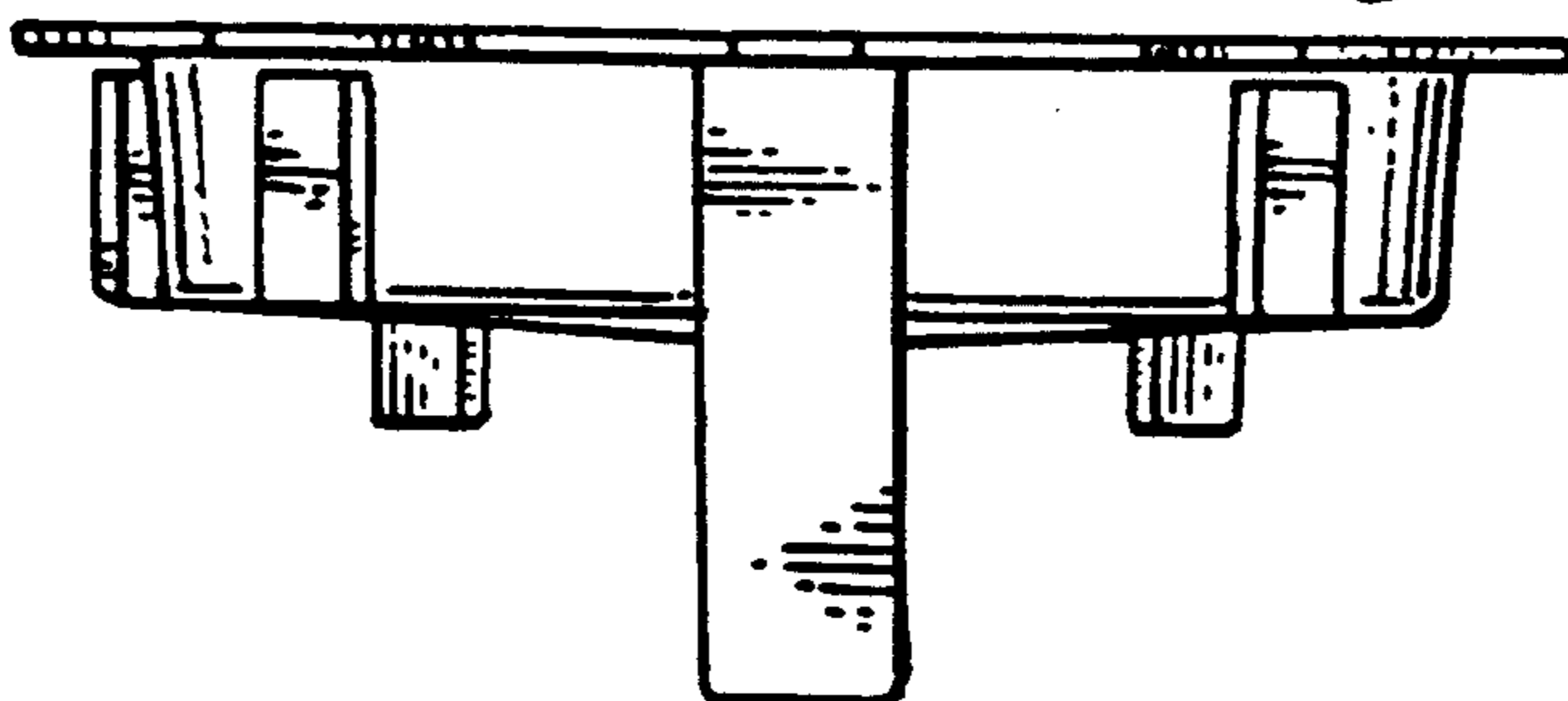


FIG. 7.

