



US00D341283S

United States Patent [19]

[11] Patent Number: **Des. 341,283**

Rosenthal, Gunter

[45] Date of Patent: **** Nov. 16, 1993**

[54] **DISPLAY BACK**

[56] **References Cited**

[75] Inventor: **Rosenthal, Gunter, St.-Benoit, Canada**

U.S. PATENT DOCUMENTS

D. 214,219	5/1969	Swartz	D6/566
D. 242,888	1/1977	Mazie et al.	D6/566
D. 298,713	11/1988	Hinderaker et al.	D6/566 X
4,072,246	2/1978	Paulin	211/70.6 X
4,723,663	2/1988	Learn	211/70.6 X

[73] Assignee: **G. Rosenthal Import Ltd., Montreal, Canada**

Primary Examiner—Brian N. Vinson
Attorney, Agent, or Firm—Samuel Meerkreebs

[**] Term: **14 Years**

[57] **CLAIM**

[21] Appl. No.: **828,782**

The ornamental design for a display rack, as shown and described.

[22] Filed: **Dec. 24, 1991**

DESCRIPTION

[30] **Foreign Application Priority Data**

Dec. 2, 1991 [CA] Canada 02-12-91-15

[52] U.S. Cl. **D6/566; D6/567**

[58] Field of Search **D6/552, 566, 567, 569-571; 211/13, 30, 32, 35, 59.2, 60.1, 70.6, 86-87, 113, 123; 248/251, 302, 317**

FIG. 1 is a perspective view of a display rack in accordance with my design;

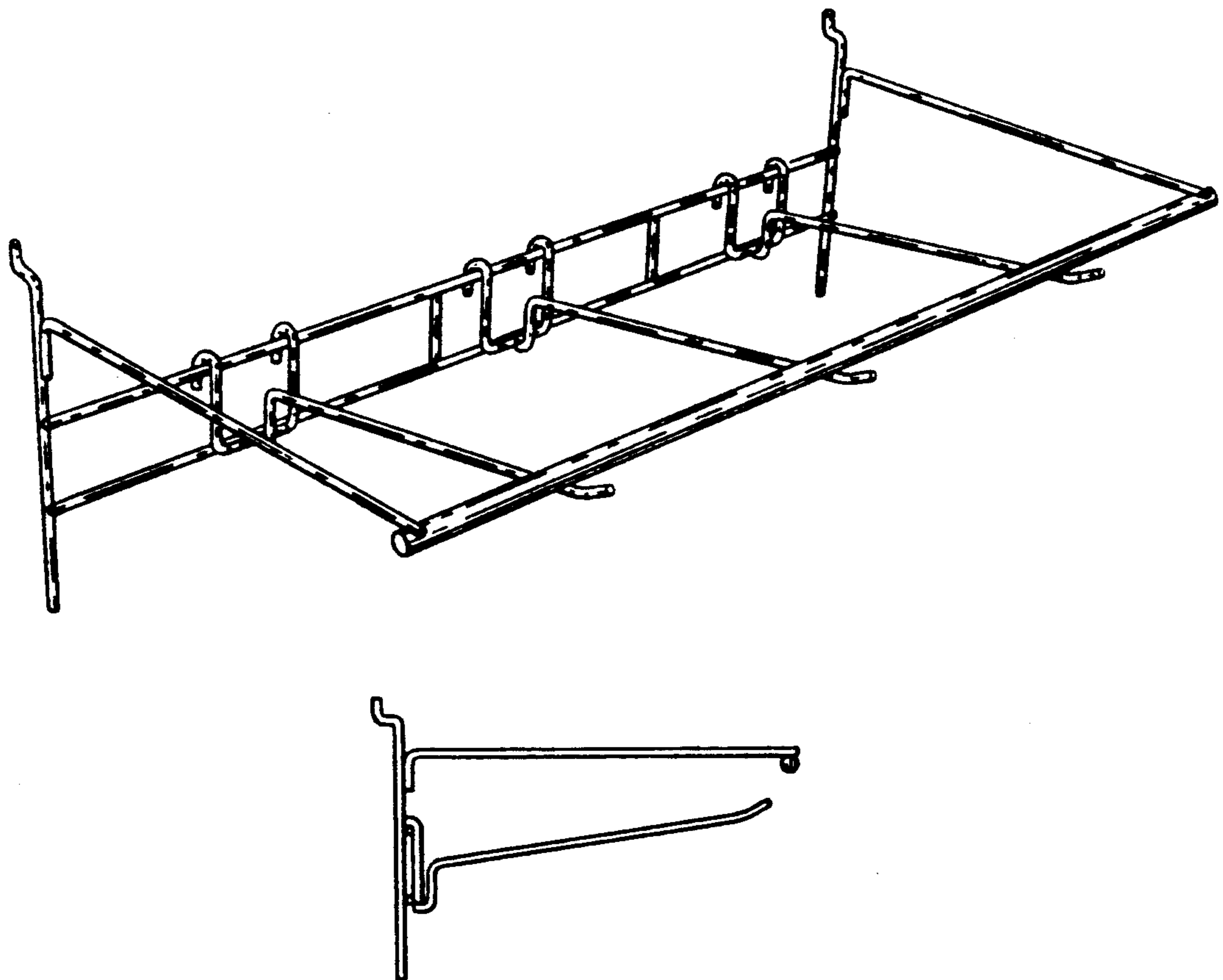
FIG. 2 is a top plan view thereof;

FIG. 3 is a front elevation thereof;

FIG. 4 is an end elevation thereof, the other end being identical;

FIG. 5 is a rear elevational view thereof; and,

FIG. 6 is a bottom plan view thereof.



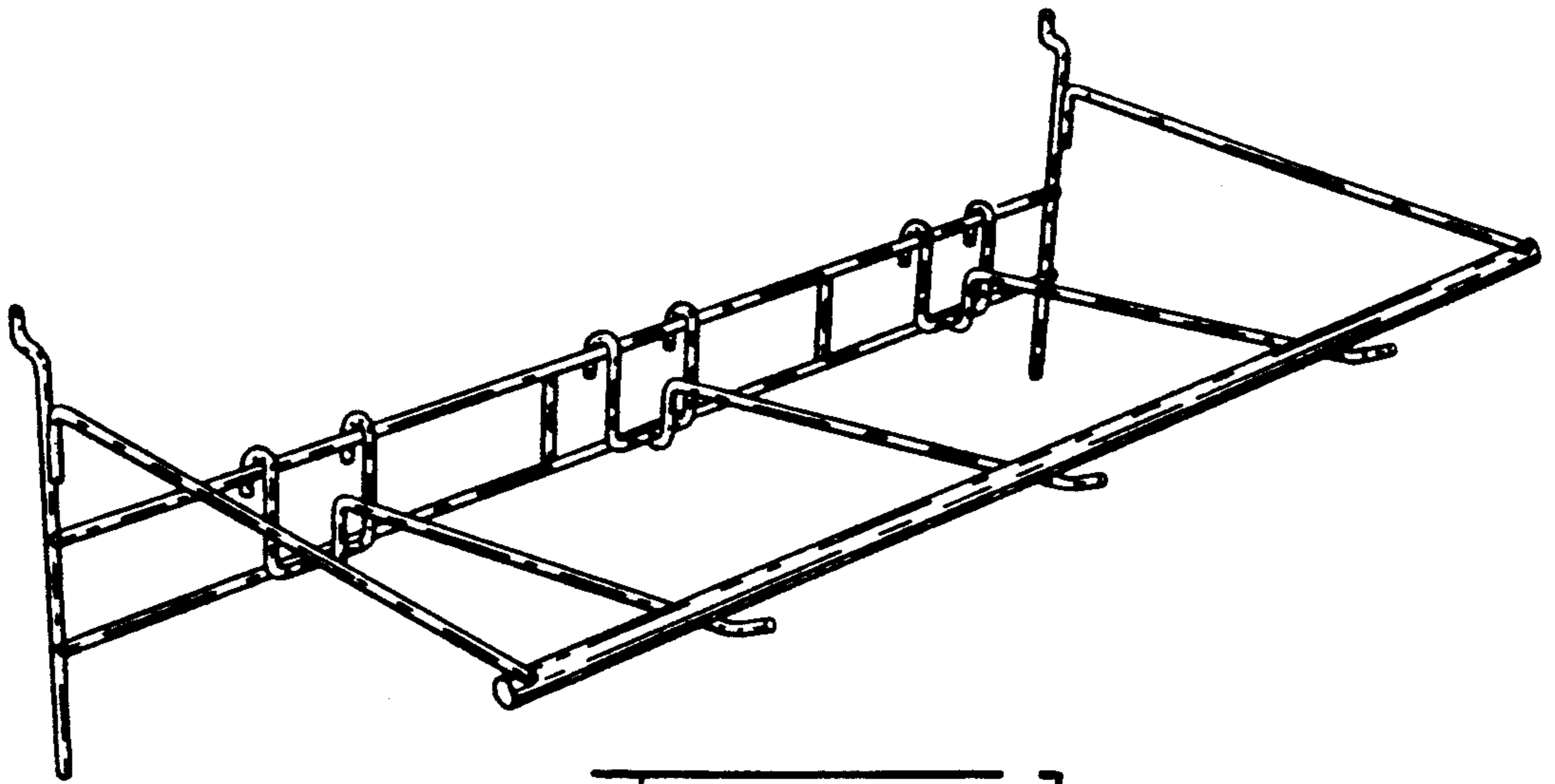


FIG. 1

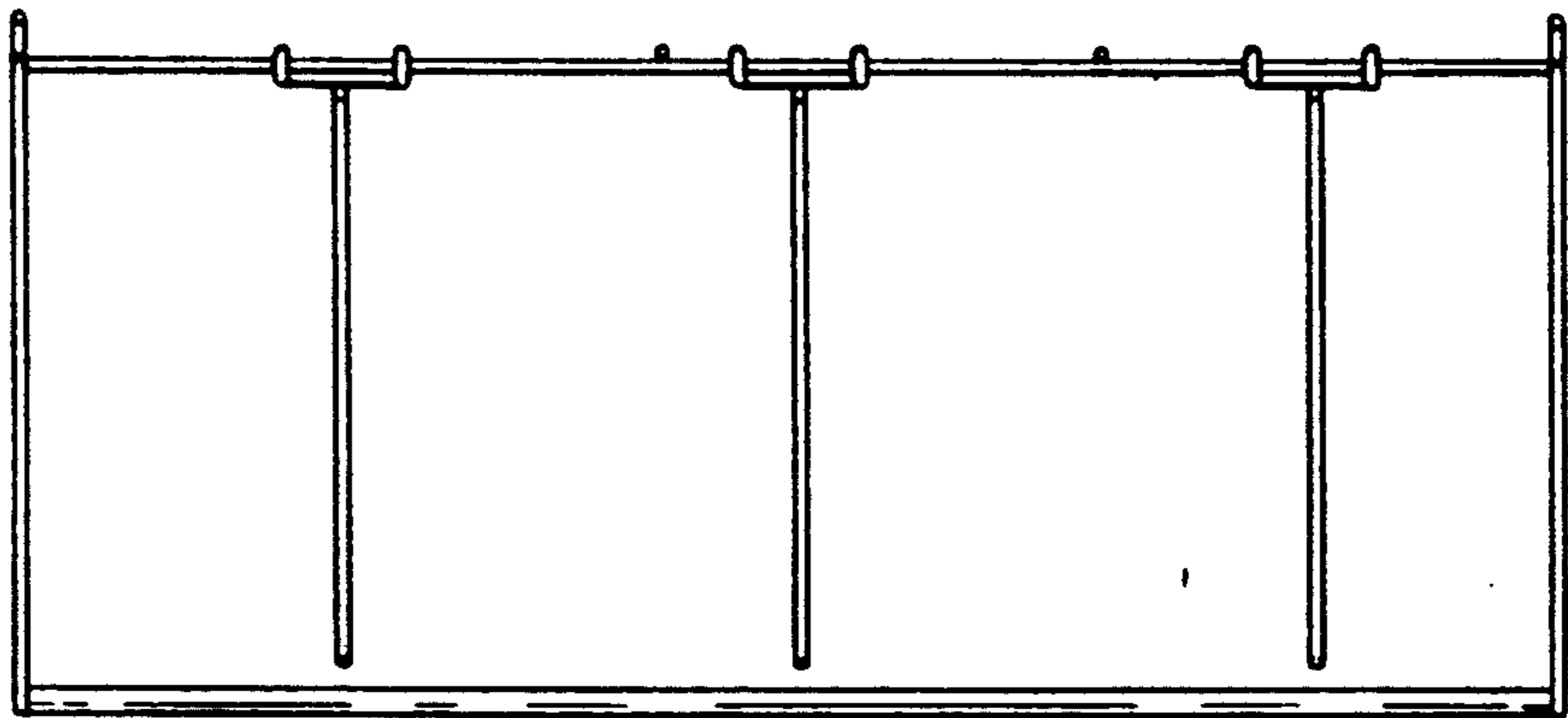


FIG. 2

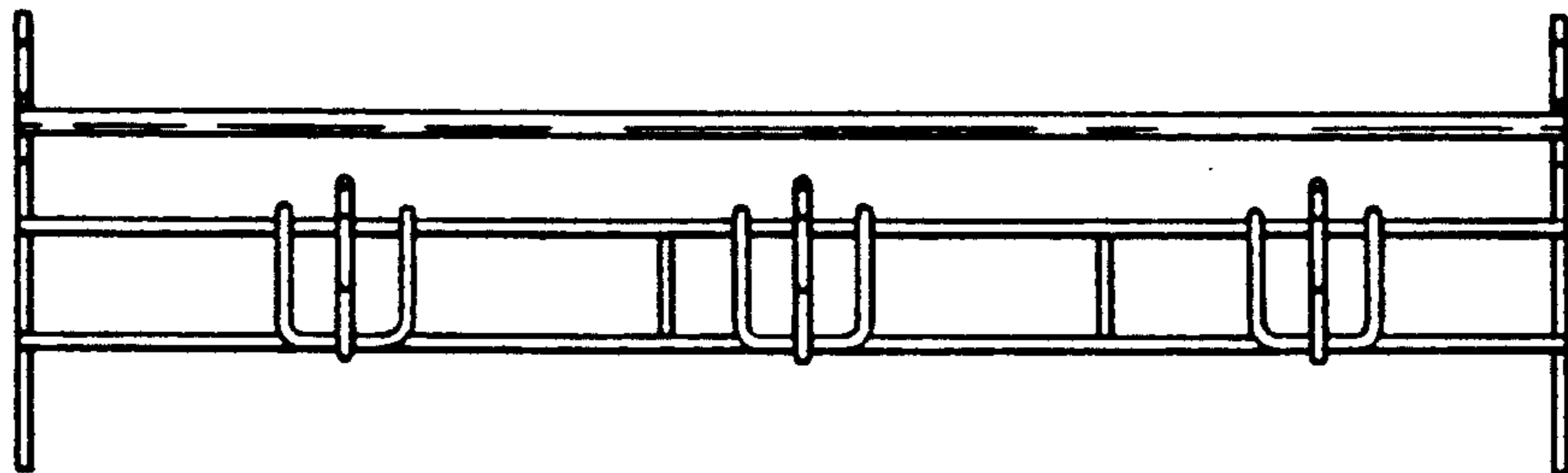


FIG. 3

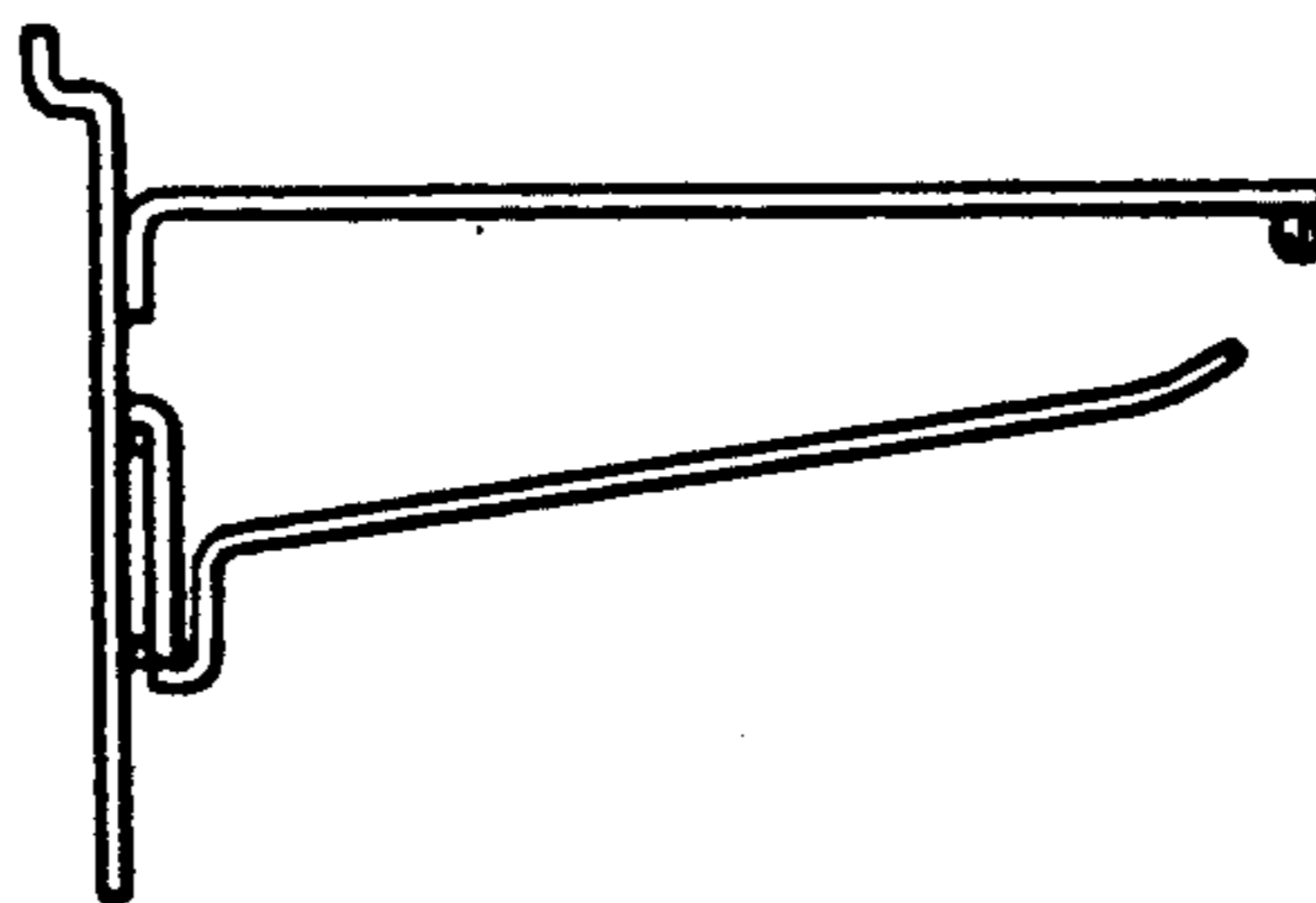


FIG. 4

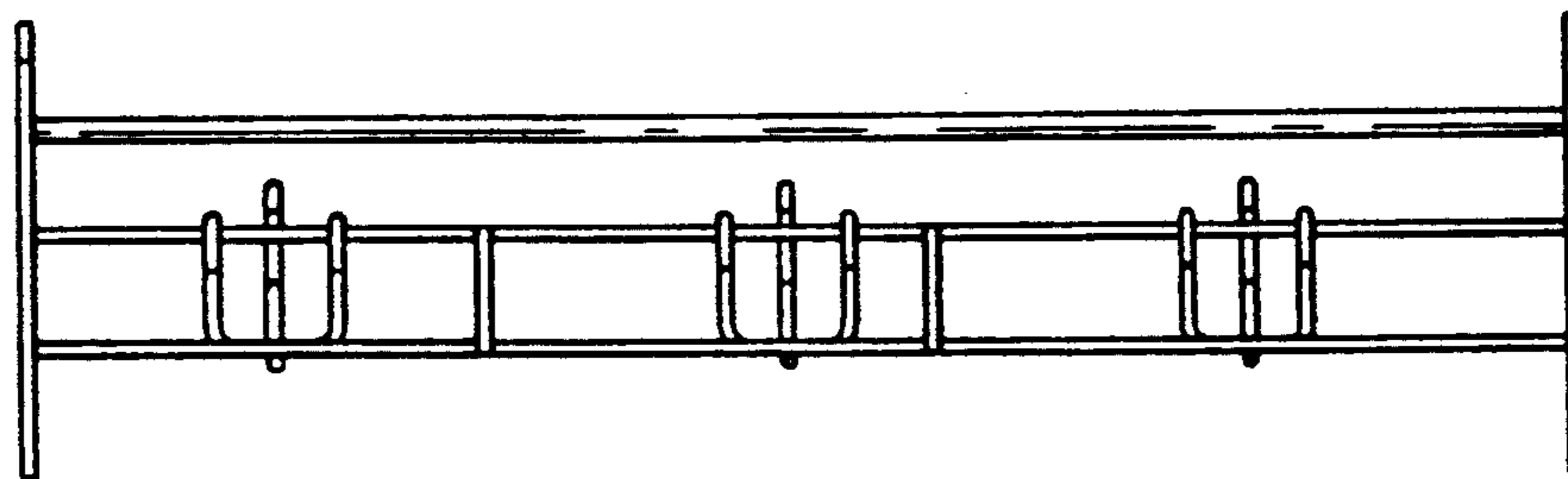


FIG. 5

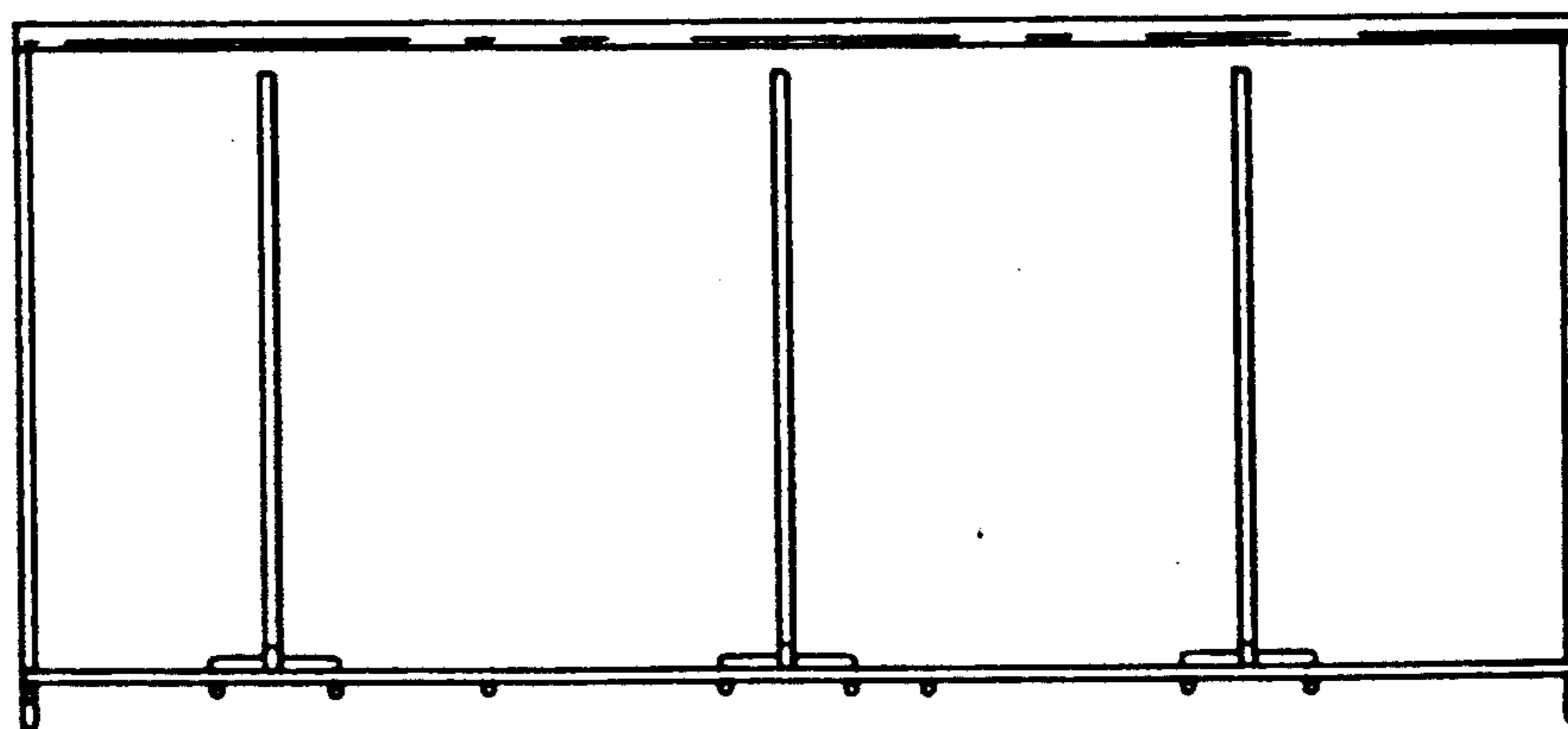


FIG. 6